



US00D894988S

(12) **United States Design Patent**
Johnston

(10) **Patent No.:** **US D894,988 S**

(45) **Date of Patent:** **** Sep. 1, 2020**

(54) **SCOPE**

(71) Applicant: **Crimson Trace Corporation,**
Wilsonville, OR (US)

(72) Inventor: **William Johnston,** Sherwood, OR (US)

(73) Assignee: **Crimson Trace Corporation,**
Springfield, MA (US)

(**) Term: **15 Years**

(21) Appl. No.: **29/673,861**

(22) Filed: **Dec. 18, 2018**

(51) **LOC (12) Cl.** **16-06**

(52) **U.S. Cl.**
USPC **D16/100**

(58) **Field of Classification Search**
USPC D16/100; D22/109
CPC F41G 1/38
See application file for complete search history.

(56) **References Cited**

U.S. PATENT DOCUMENTS

D253,177 S *	10/1979	Litman	250/214 VT
D346,392 S *	4/1994	Tomita	D16/132
D349,510 S *	8/1994	Tomita	D16/132
D365,858 S *	1/1996	Tomita	D16/132
D369,367 S *	4/1996	Tomita	D16/130
6,230,431 B1	5/2001	Bear	
7,421,818 B2	9/2008	Houde-Walter	
7,743,547 B2	6/2010	Houde-Walter	
7,997,023 B2	8/2011	Moore et al.	
8,006,428 B2	8/2011	Moore et al.	
8,091,267 B2	1/2012	Moore et al.	
8,127,485 B2	3/2012	Moore et al.	
8,312,665 B2	11/2012	Moore et al.	
8,312,666 B2	11/2012	Moore et al.	
8,484,882 B2	7/2013	Haley et al.	
8,607,495 B2	12/2013	Moore et al.	
8,627,591 B2	1/2014	Moore et al.	
8,695,267 B2	4/2014	Houde-Walter	

8,915,009 B2	12/2014	Caulk et al.	
9,273,930 B2	3/2016	Jiminez et al.	
9,322,617 B2 *	4/2016	Hartley	F41G 1/35
D764,006 S *	8/2016	Horton	D22/109
9,488,445 B2	11/2016	Houde-Walter	
RE46,226 E *	12/2016	Gambino	D22/109
D774,158 S *	12/2016	Cheng	D22/109
D778,390 S *	2/2017	Zhang	D22/109

(Continued)

OTHER PUBLICATIONS

Crimson Trace Compact Red Dot Tactical 1x Rifle Scope, posted at sportsmans.com, posting date not given, [online], [site visited Apr. 16, 2020]. Available from Internet, URL: <https://www.sportsmans.com/new-products/crimson-trace-compact-red-dot-tactical-1x-rifle-scope-red-dot/p/1529811> (Year: 2020).*

(Continued)

Primary Examiner — George D. Kirschbaum

Assistant Examiner — Maria J Edwards

(74) *Attorney, Agent, or Firm* — Schwabe, Williamson & Wyatt, P.C.

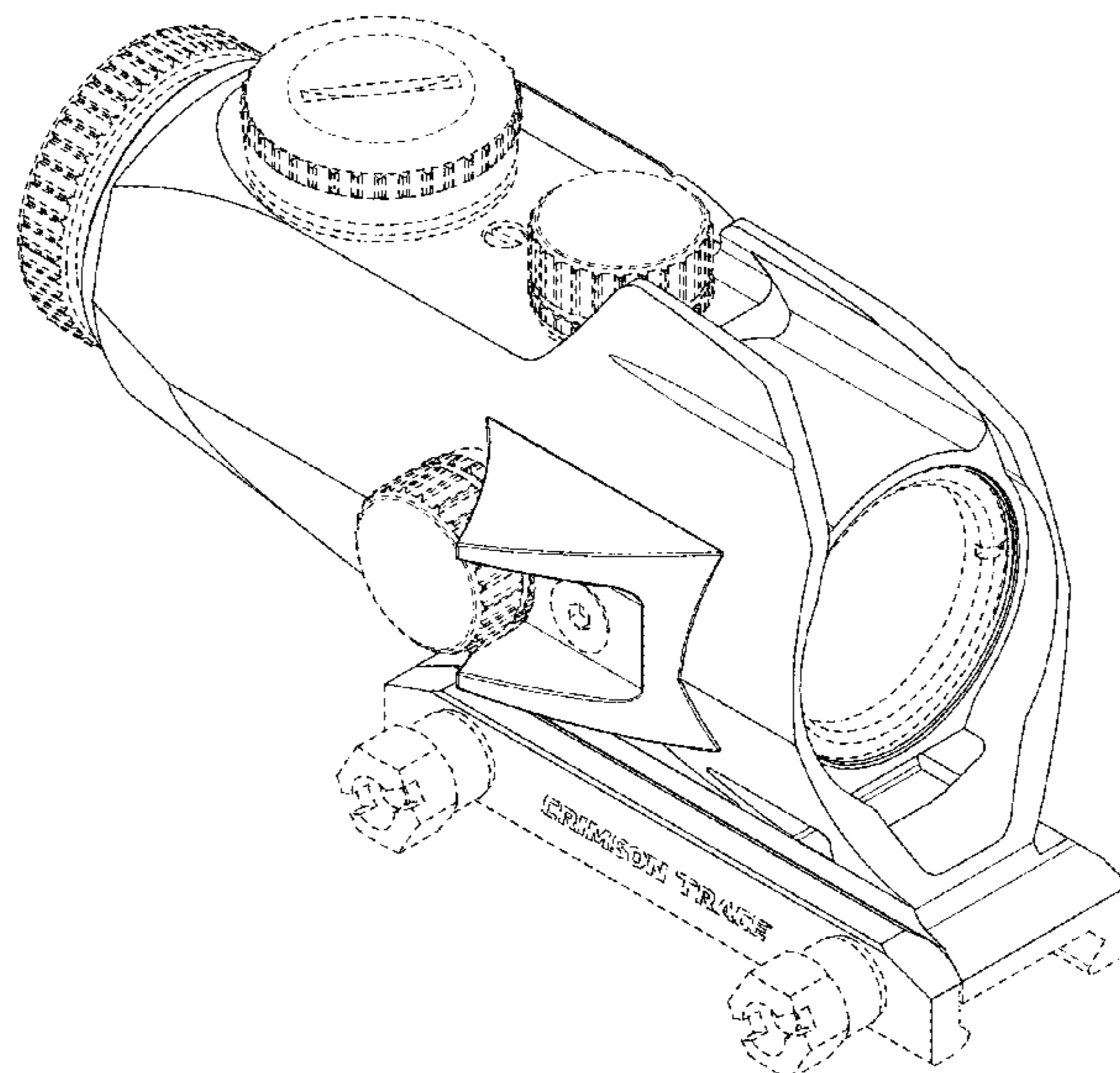
(57) **CLAIM**

I claim the ornamental design for a scope, as shown and described.

DESCRIPTION

FIG. 1 is a perspective view of a scope, showing my new design;
FIG. 2 is a front view thereof;
FIG. 3 is a rear view thereof;
FIG. 4 is a right side view thereof;
FIG. 5 is a left side view thereof;
FIG. 6 is a top view thereof; and,
FIG. 7 is a bottom view thereof.
The dashed lines in the figures depict unclaimed portions of the scope and form no part of the claimed design.

1 Claim, 7 Drawing Sheets



(56)

References Cited

U.S. PATENT DOCUMENTS

D800,864 S * 10/2017 Hartley D22/109
D819,160 S * 5/2018 Hamilton D22/109
D852,311 S * 6/2019 Honda D22/109
D856,458 S * 8/2019 Cheng D22/109
2010/0175297 A1 7/2010 Speroni
2011/0167708 A1* 7/2011 Cheng F41G 1/35
42/114
2011/0314720 A1* 12/2011 Cheng F41G 1/35
42/117
2012/0159832 A1 6/2012 Moore et al.
2019/0285386 A1* 9/2019 Burt F41G 11/004

OTHER PUBLICATIONS

Crimson Trace CTS-1100 Oct. 10, 2018, posted at gunsamerica.com, posting date Oct. 10, 2018, [online], [site visited Apr. 16, 2020]. Available from Internet, URL: <https://www.gunsamerica.com/digest/crimson-trace-launching-full-line-of-red-dot-sights-scopes/> (Year: 2018).*

Crimson Trace CTS-1100 Illuminated 3.5x Battlesight, posted at crimsontrace.com, posting date not given, [online], [site visited Apr. 16, 2020]. Available from Internet, URL: <https://www.crimsontrace.com/01-8430> (Year: 2020).*

Streamlight 69260 TLR-1 HL Weapon Mount Flashlight, posted at amazon.com, posting date Dec. 28, 2012, [online], [site visited Apr. 16, 2020]. Available from Internet, URL: <https://www.amazon.com/Streamlight-Weapon-Tactical-Flashlight-Lumens/dp/B00B8Q31UQ?th=1> (Year: 2012).*

* cited by examiner

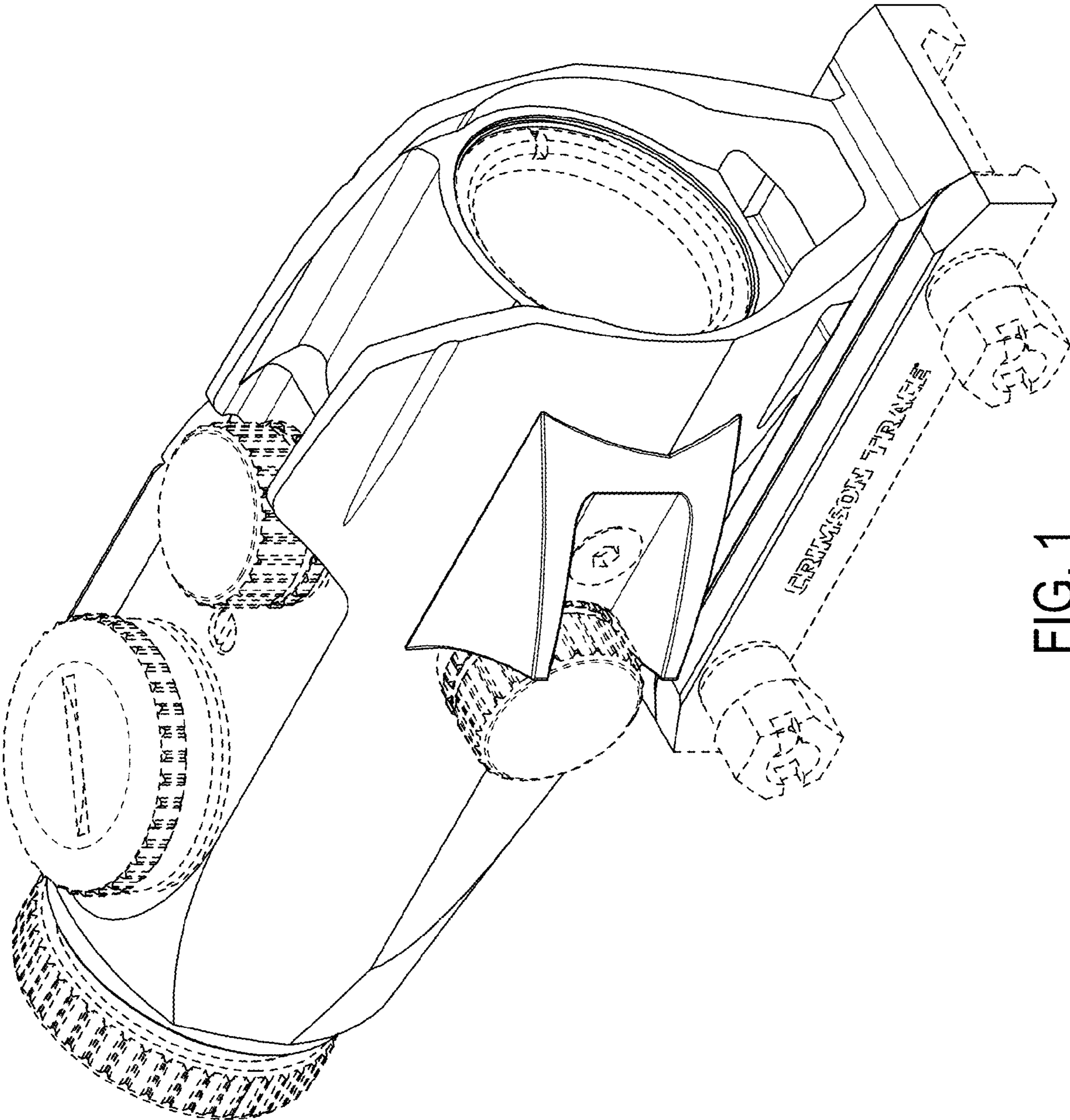


FIG. 1

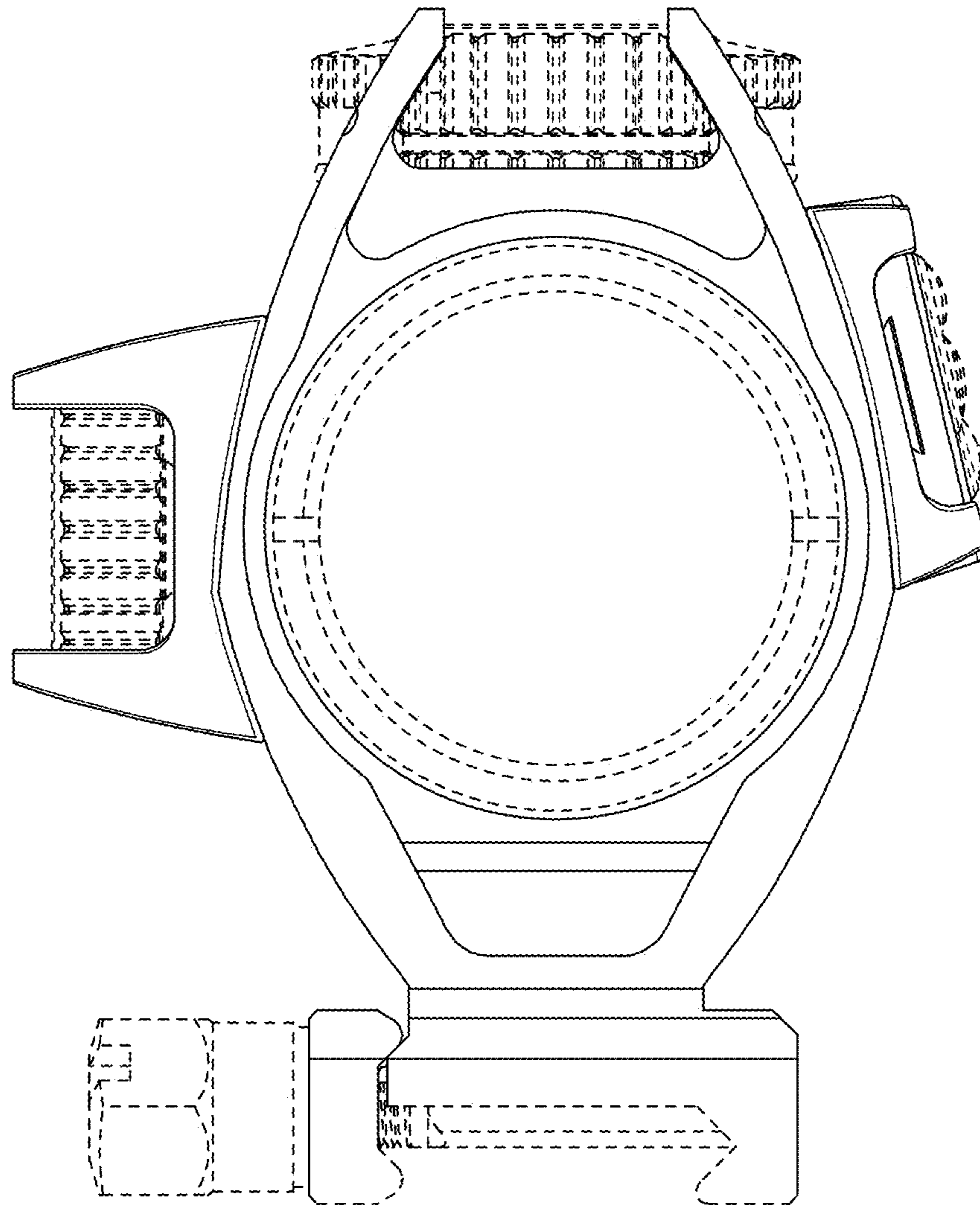


FIG. 2

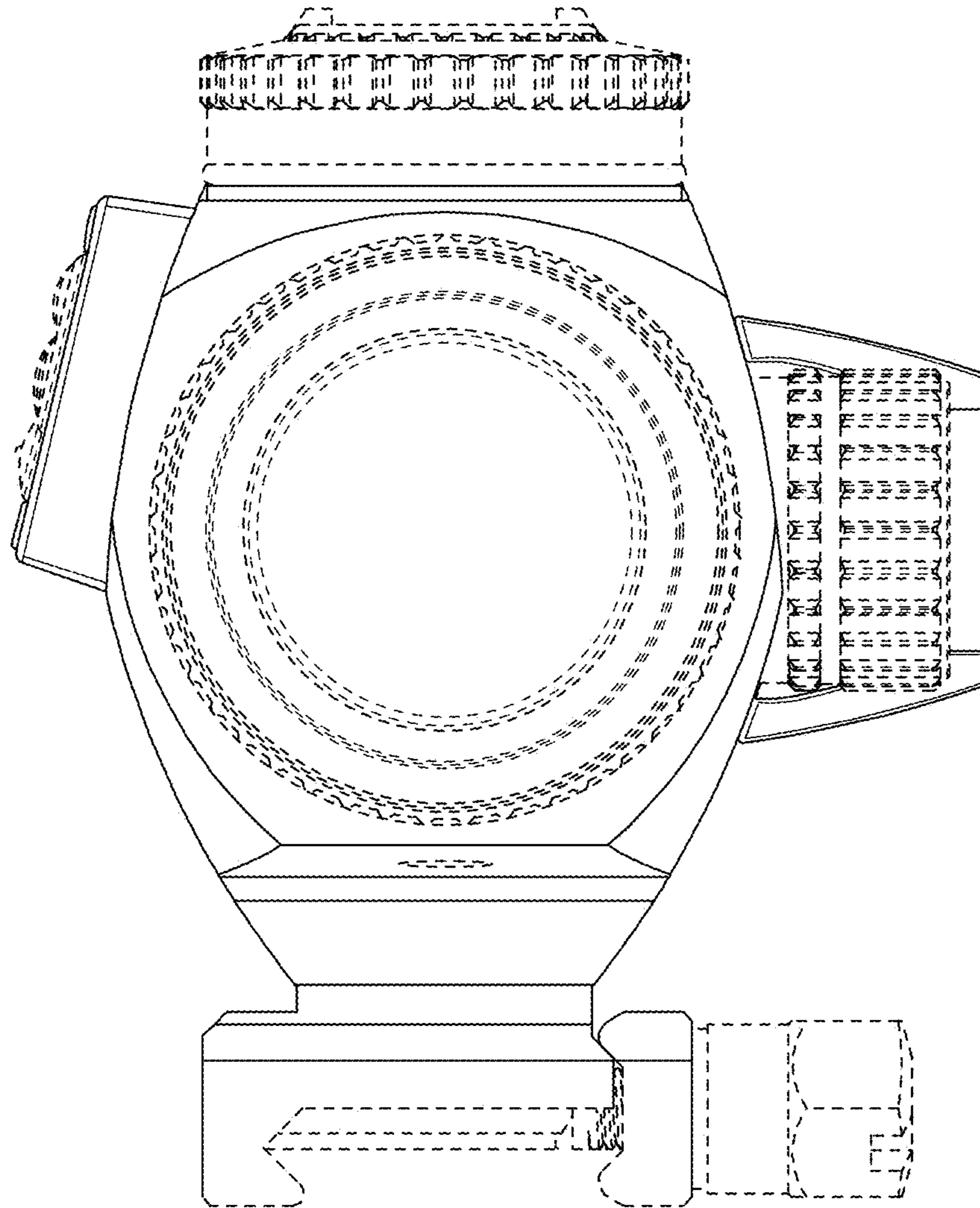


FIG. 3

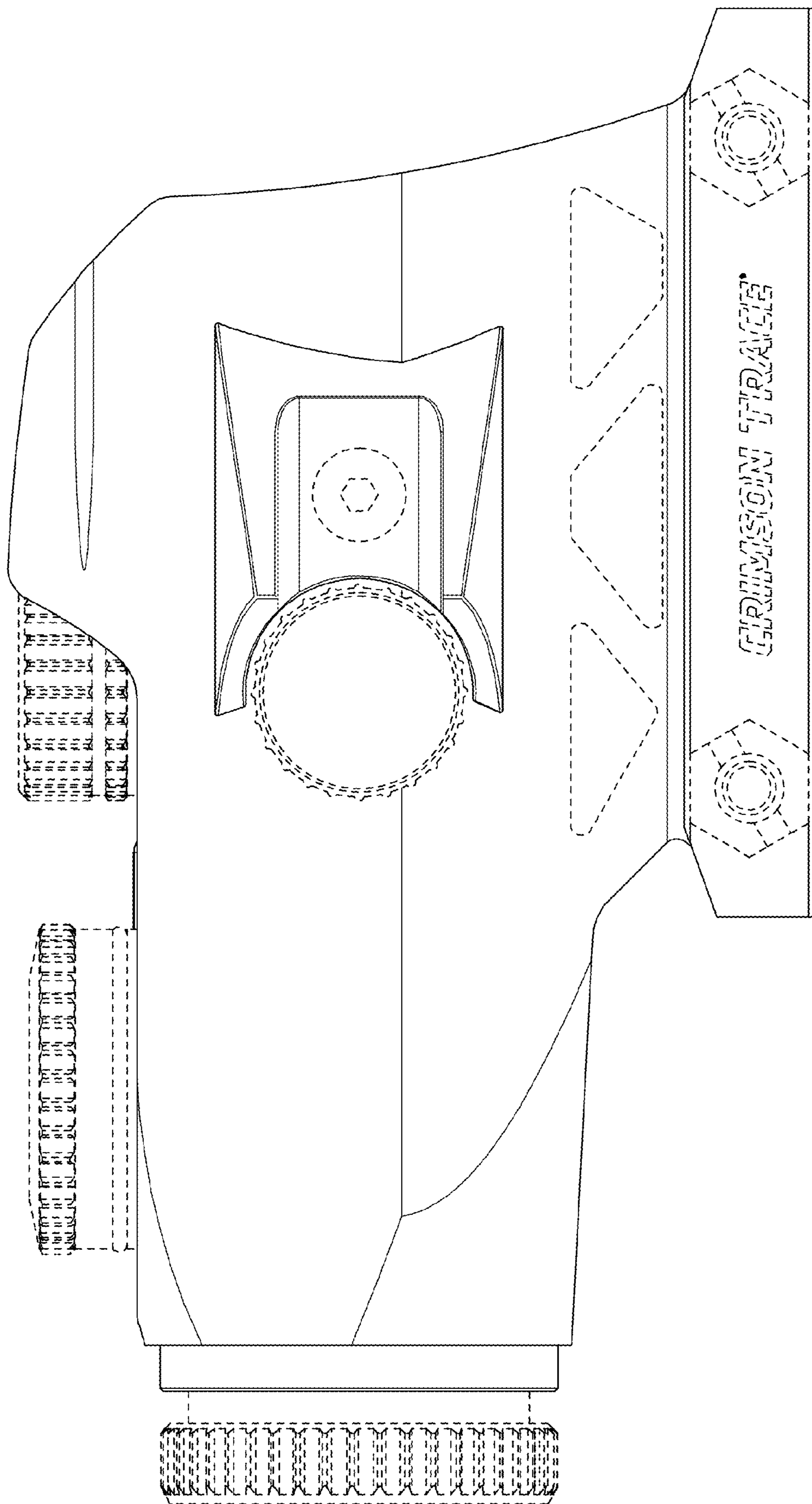


FIG. 4

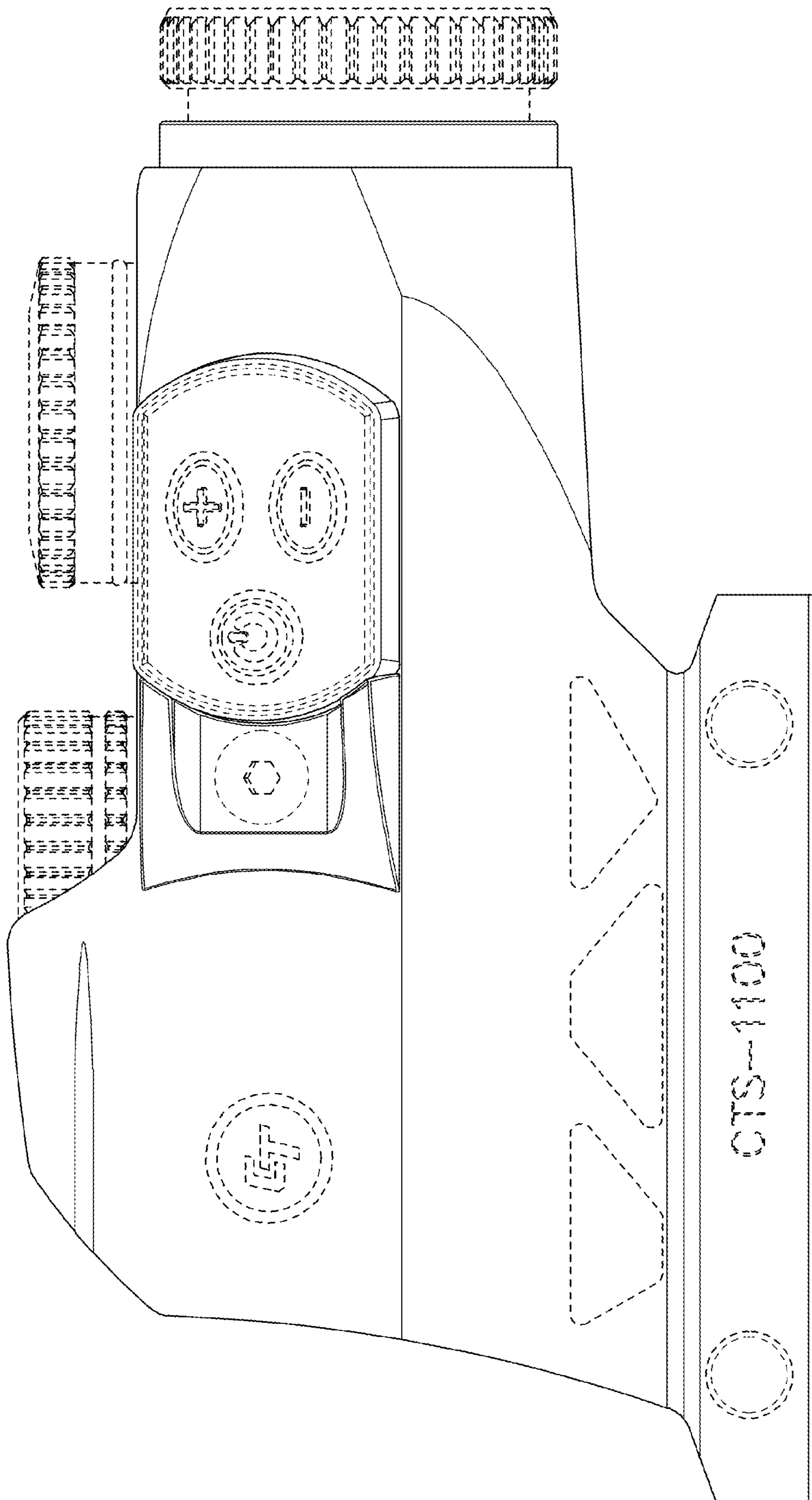


FIG. 5

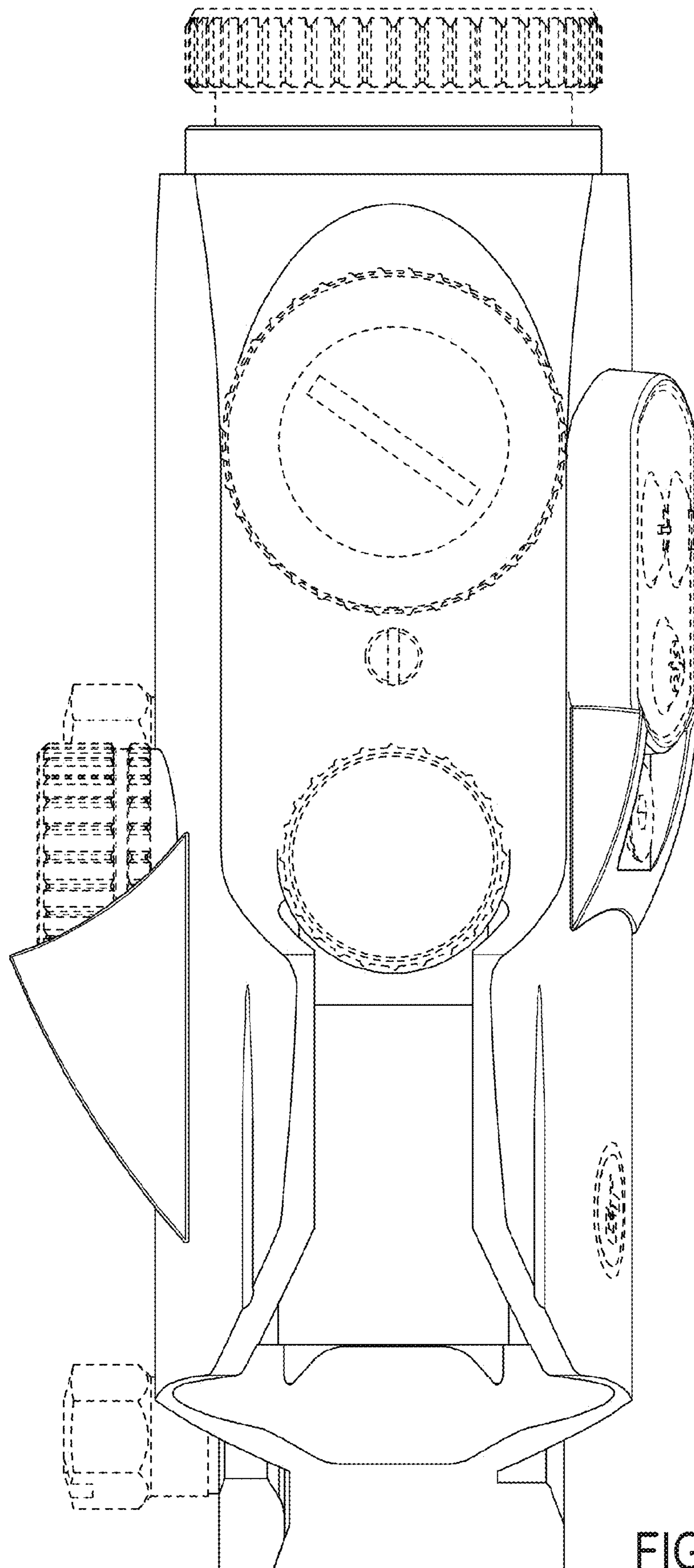


FIG. 6

