



US00D894986S

(12) **United States Design Patent**  
**Okada et al.**

(10) **Patent No.:** **US D894,986 S**

(45) **Date of Patent:** **\*\* Sep. 1, 2020**

(54) **TRANSPORTATION ROBOT**

(71) Applicant: **OMRON CORPORATION**, Kyoto-shi,  
Kyoto (JP)

(72) Inventors: **Tomohiro Okada**, Shiga (JP); **Akiro Kobayashi**, Shiga (JP); **Shinji Kobayashi**, Nara (JP)

(73) Assignee: **OMRON CORPORATION**, Kyoto (JP)

(\*\*) Term: **15 Years**

(21) Appl. No.: **29/693,777**

(22) Filed: **Jun. 5, 2019**

(30) **Foreign Application Priority Data**

Mar. 14, 2019 (JP) ..... 2019-005352

(51) **LOC (12) Cl.** ..... **15-99**

(52) **U.S. Cl.**  
USPC ..... **D15/199**

(58) **Field of Classification Search**  
USPC ..... D15/199; D21/578-583, 621, 622;  
D32/21; D34/34  
CPC ..... B23K 9/133; B23K 9/287; B25J 9/0018;  
B25J 19/0025; Y10T 74/20; Y10T  
74/20207; Y10T 74/20311; Y10T  
74/20305; Y10S 901/01  
See application file for complete search history.

(56) **References Cited**

**U.S. PATENT DOCUMENTS**

D295,105 S \* 4/1988 Dawson ..... D34/18  
5,658,120 A \* 8/1997 Watanabe ..... B23Q 7/1436  
414/495  
D445,116 S \* 7/2001 Evans ..... D15/79  
D616,908 S \* 6/2010 Labak ..... D15/199

D712,447 S \* 9/2014 He ..... D15/199  
D841,067 S \* 2/2019 Camporesi ..... D15/199  
D843,427 S \* 3/2019 Medal ..... D15/199  
D852,250 S \* 6/2019 Nabeiro ..... D15/199  
2009/0035181 A1 \* 2/2009 Chung ..... G01N 35/0099  
422/68.1  
2010/0145520 A1 \* 6/2010 Gerio ..... G05B 19/425  
700/264  
2011/0077750 A1 \* 3/2011 Stummer ..... G08C 17/00  
700/17  
2011/0135189 A1 \* 6/2011 Lee ..... 382/153  
2014/0074287 A1 \* 3/2014 LaFary ..... G05D 1/0274  
700/253  
2014/0350725 A1 \* 11/2014 LaFary ..... G06N 3/008  
700/253  
2015/0088359 A1 \* 3/2015 Choi ..... G05D 1/0225  
701/23  
2019/0126470 A1 \* 5/2019 Oumi ..... B25J 11/005

\* cited by examiner

*Primary Examiner* — Patricia A Palasik

(74) *Attorney, Agent, or Firm* — Harness, Dickey & Pierce, P.L.C.

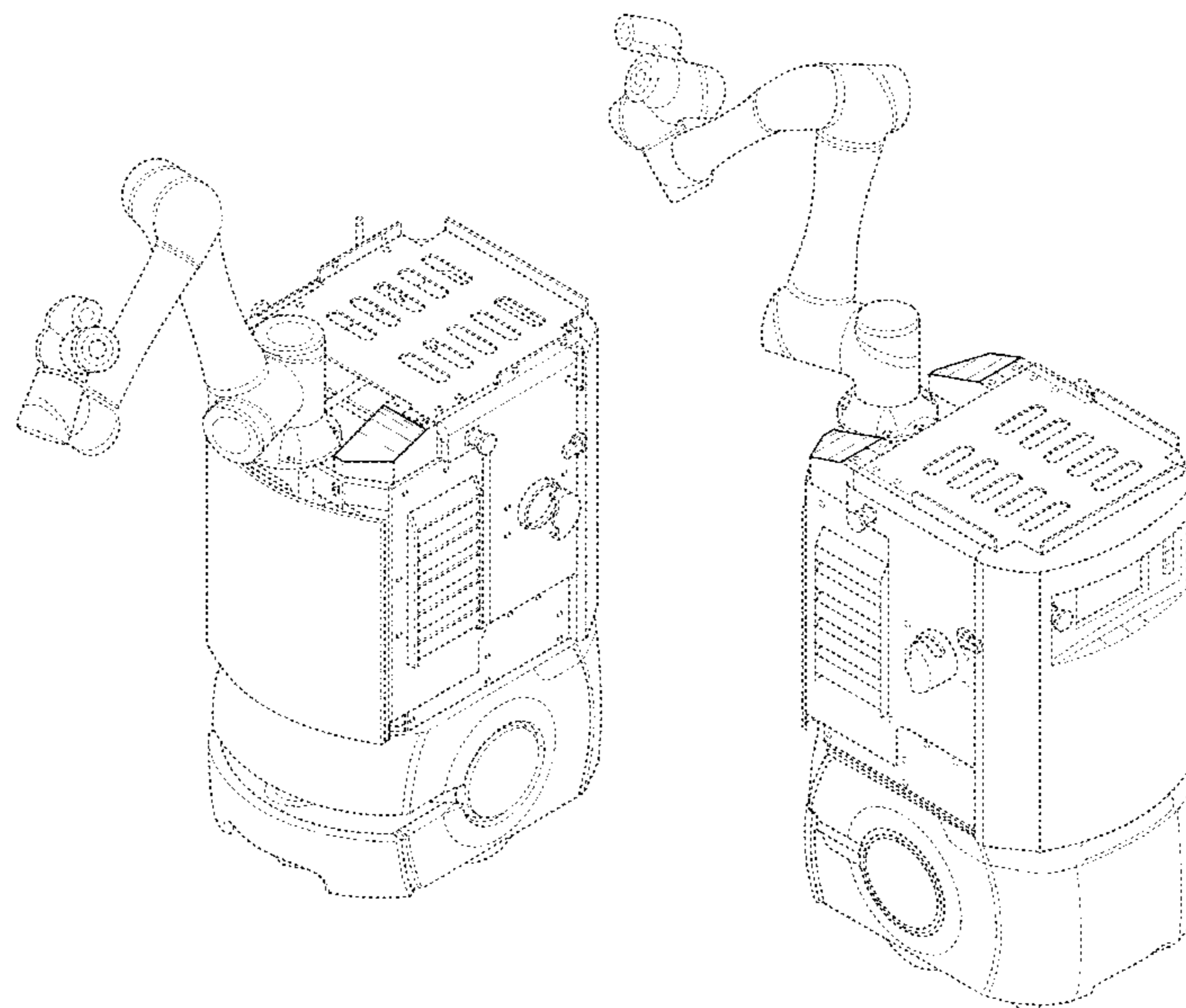
(57) **CLAIM**

The ornamental design for a transportation robot, as shown and described.

**DESCRIPTION**

FIG. 1 is a top, front, right perspective view of a transportation robot showing our new design;  
FIG. 2 is a top, rear, right perspective view thereof;  
FIG. 3 is a front view thereof;  
FIG. 4 is a rear view thereof;  
FIG. 5 is a left side view thereof;  
FIG. 6 is a right side view thereof;  
FIG. 7 is a top view thereof; and,  
FIG. 8 is a bottom view thereof.  
The broken lines in the figures show portions of the transportation robot that form no part of the claimed design.

**1 Claim, 8 Drawing Sheets**



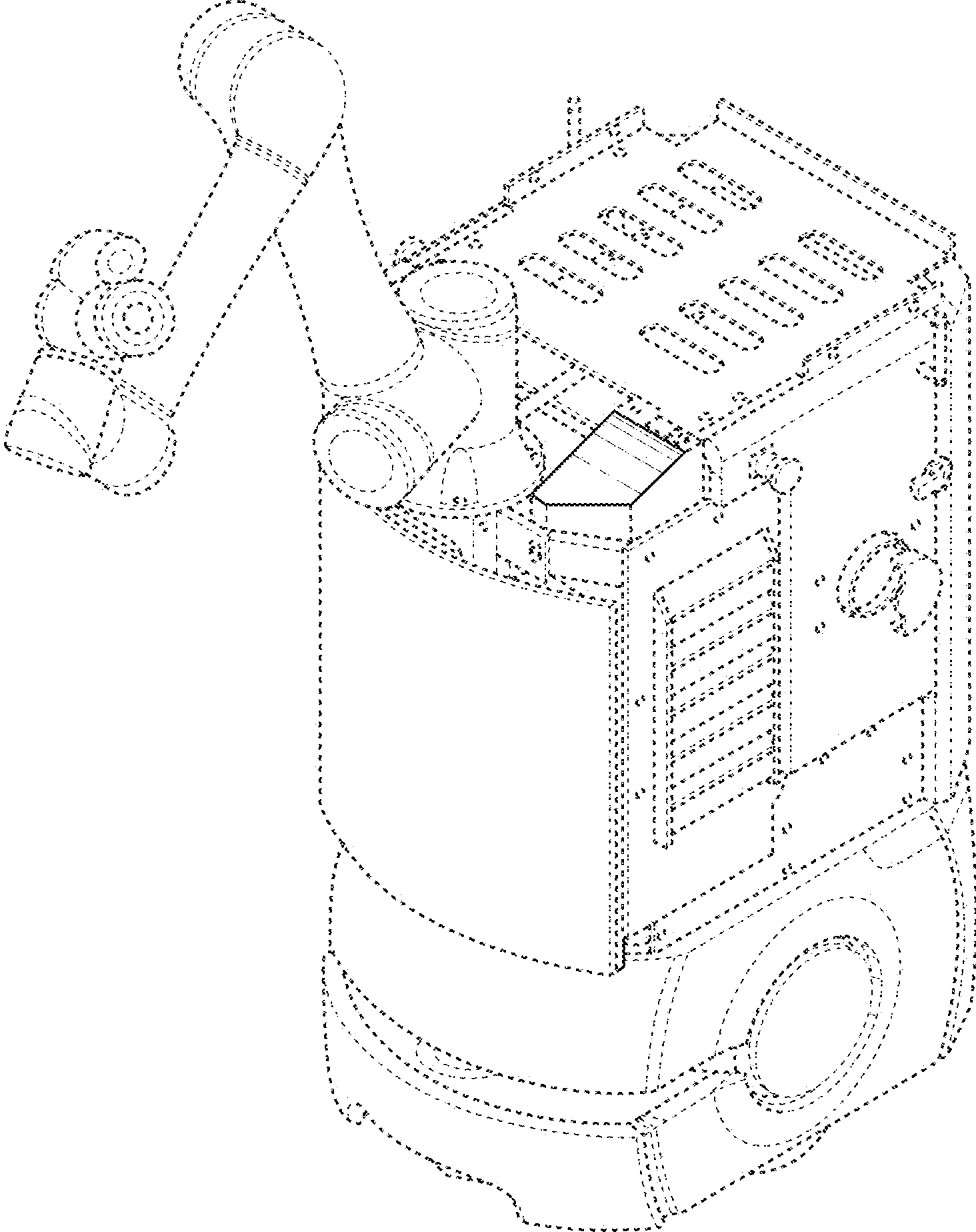


FIG. 1

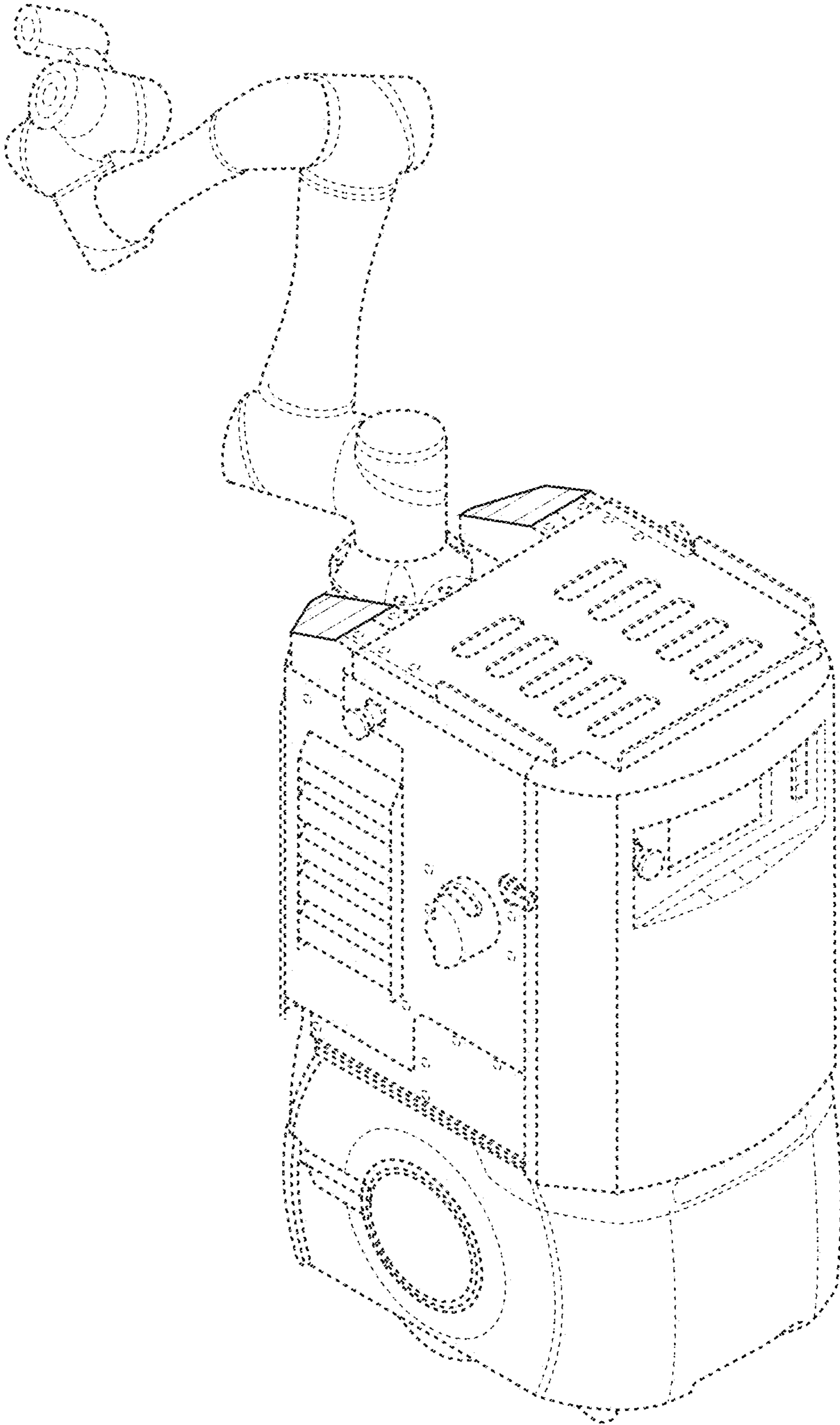


FIG. 2

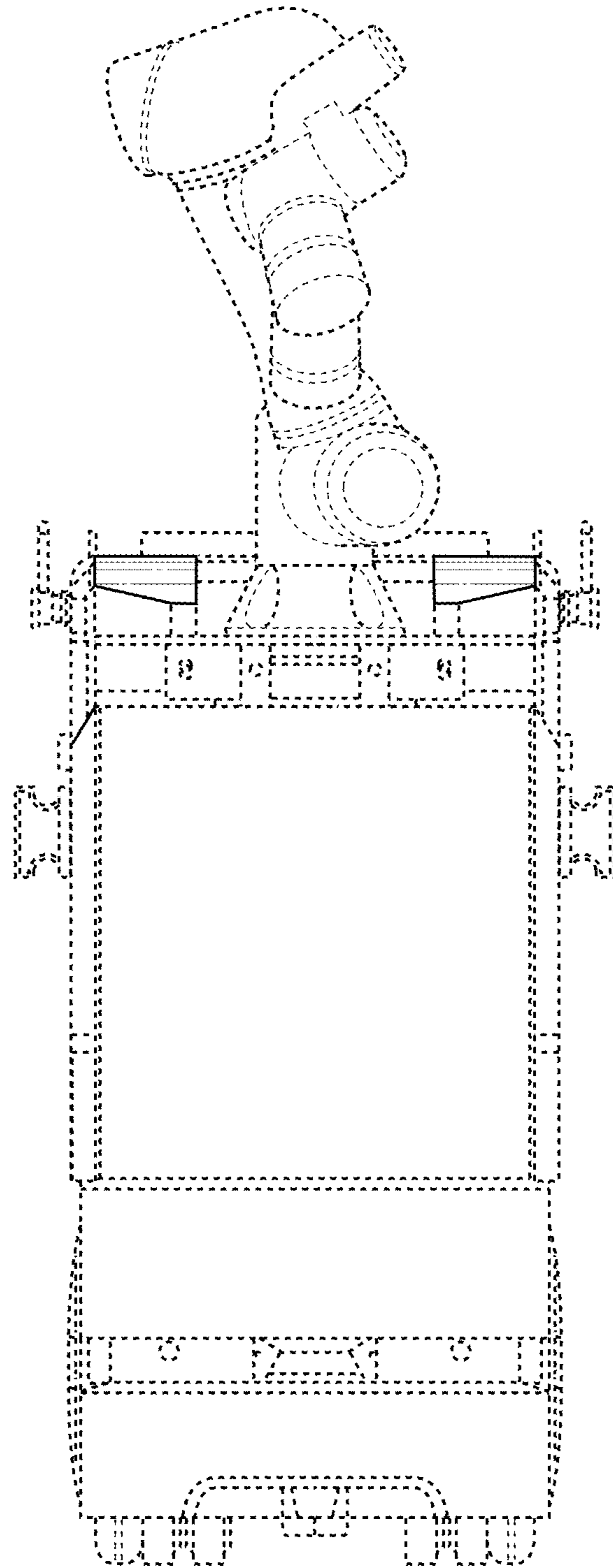


FIG. 3

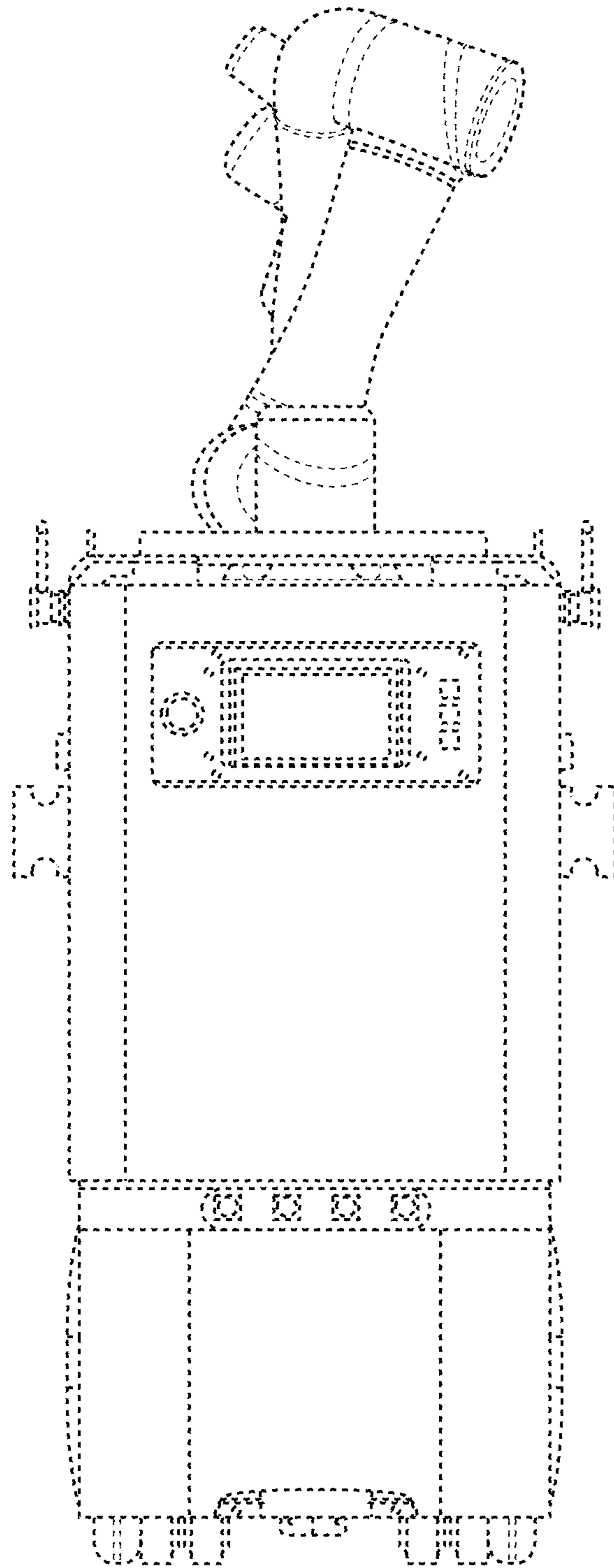


FIG. 4

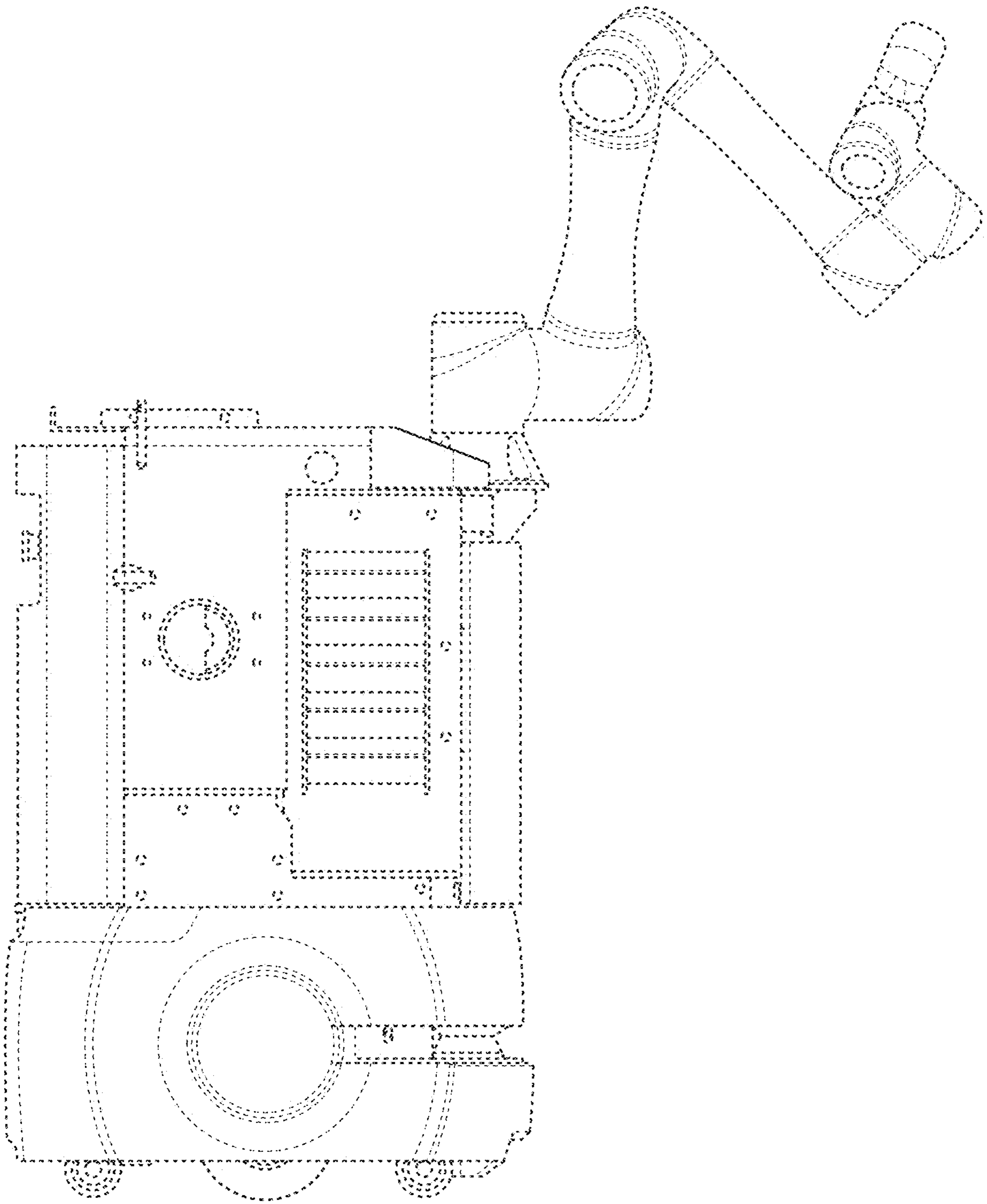


FIG. 5

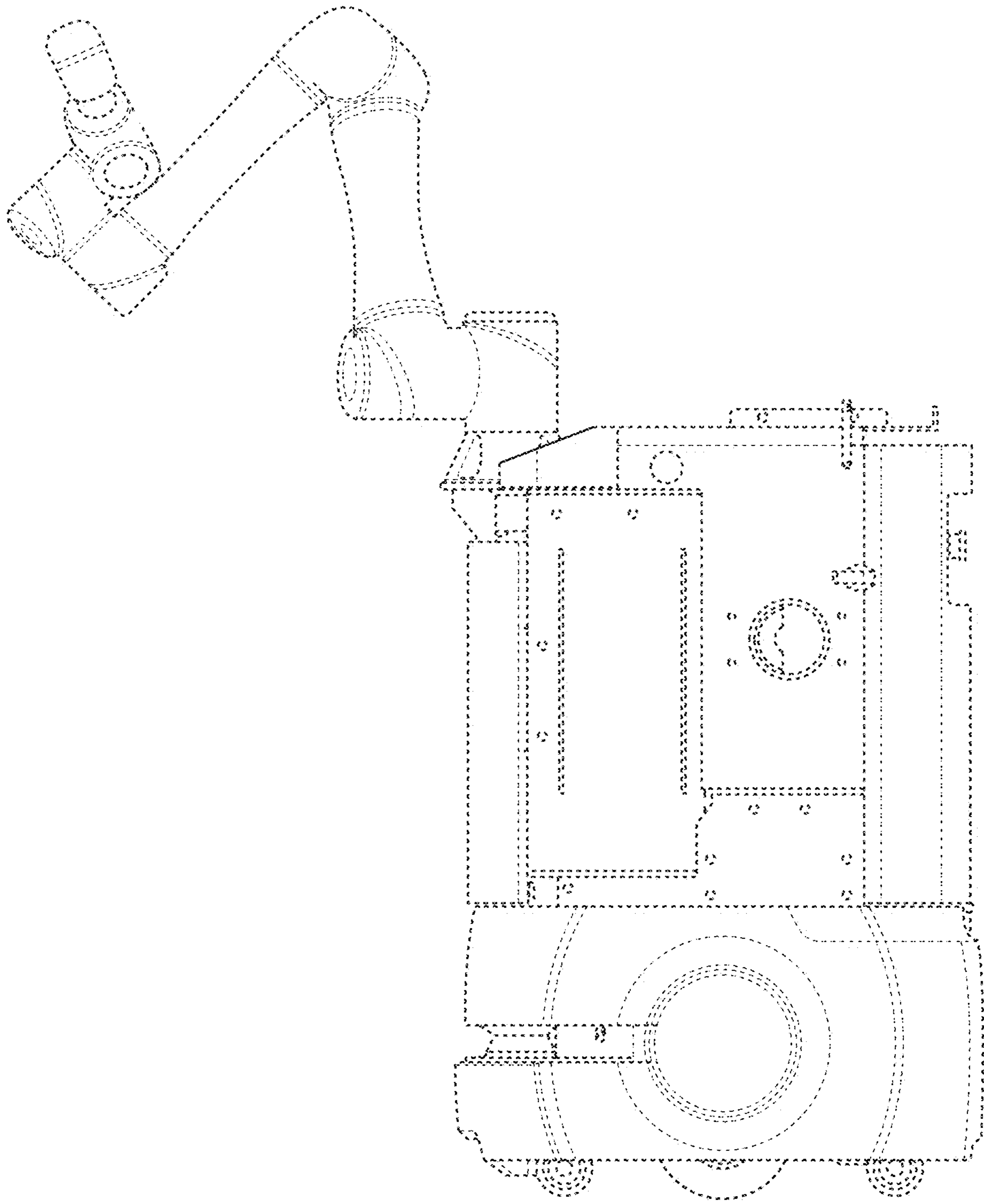


FIG. 6

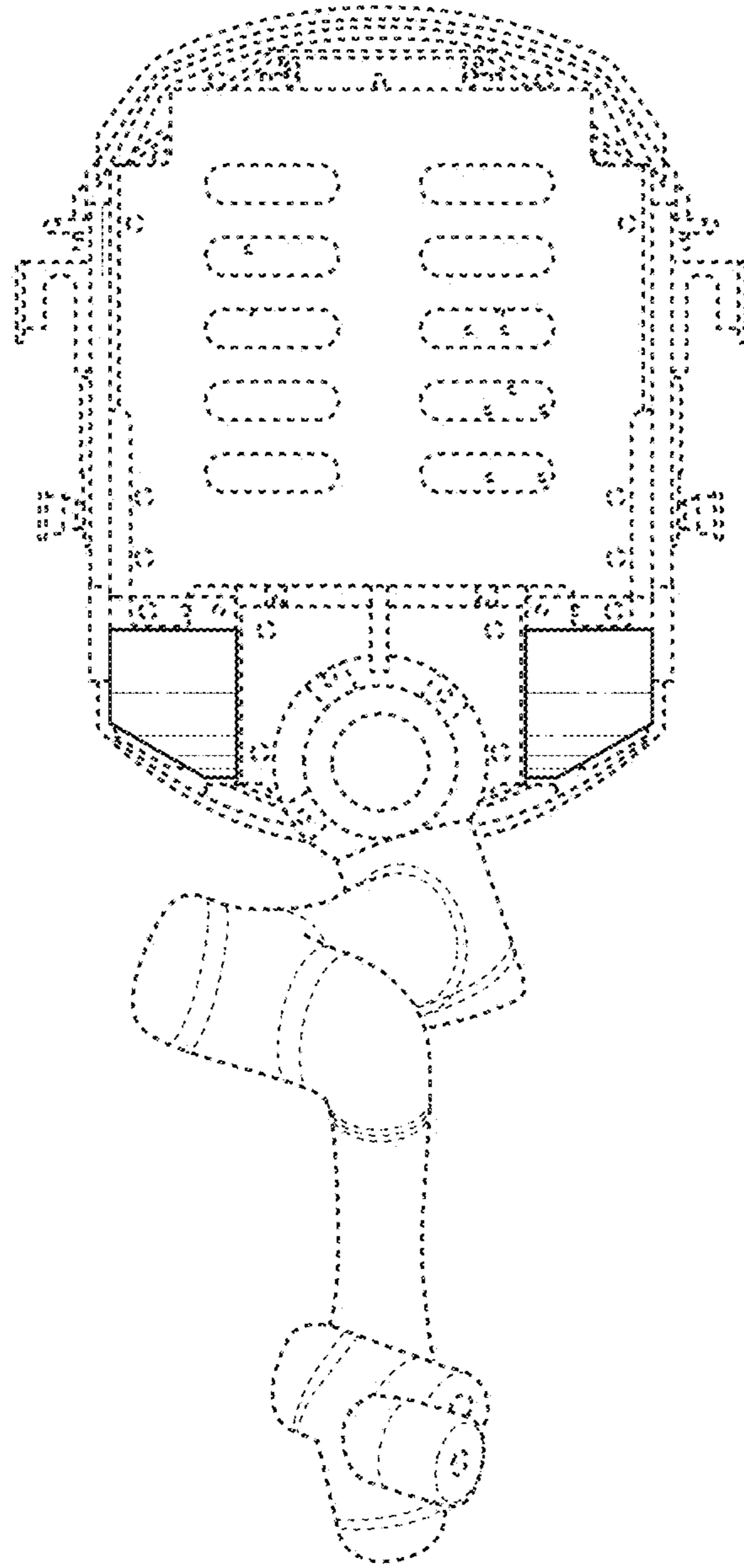


FIG. 7



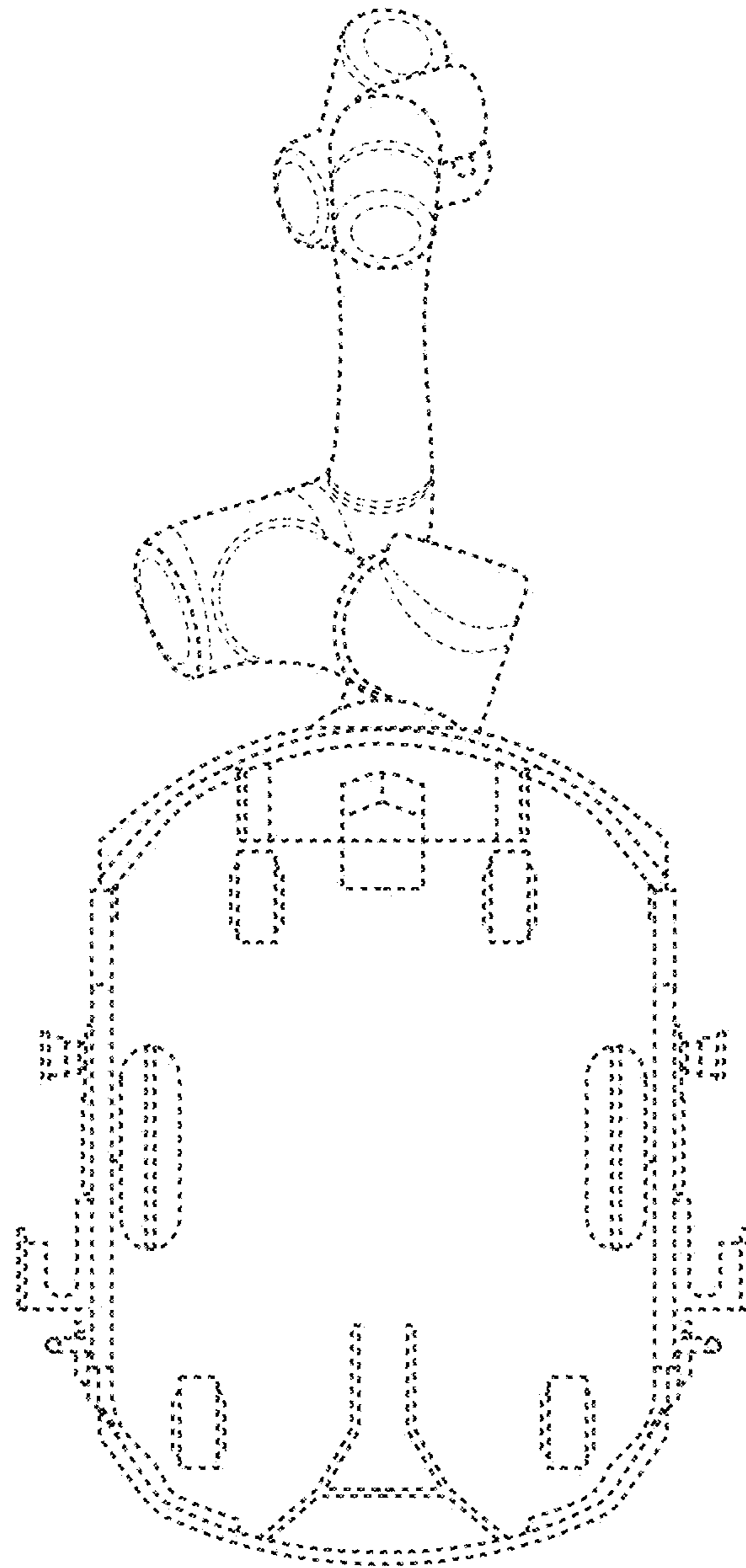


FIG. 8