



US00D894985S

(12) **United States Design Patent** (10) **Patent No.:** **US D894,985 S**
Okada et al. (45) **Date of Patent:** **** Sep. 1, 2020**

(54) **TRANSPORTATION ROBOT**
(71) Applicant: **OMRON CORPORATION**, Kyoto-shi, Kyoto (JP)
(72) Inventors: **Tomohiro Okada**, Shiga (JP); **Akiro Kobayashi**, Shiga (JP); **Shinji Kobayashi**, Nara (JP)
(73) Assignee: **OMRON CORPORATION**, Kyoto (JP)
(**) Term: **15 Years**
(21) Appl. No.: **29/693,770**
(22) Filed: **Jun. 5, 2019**
(30) **Foreign Application Priority Data**

Mar. 14, 2019 (JP) 2019-005356
(51) **LOC (12) Cl.** **15-99**
(52) **U.S. Cl.**
USPC **D15/199**
(58) **Field of Classification Search**
USPC D15/199; D21/578-583, 621, 622; D32/21; D34/34
CPC B23K 9/133; B23K 9/287; B25J 9/0018; B25J 19/0025; Y10T 74/20; Y10T 74/20207; Y10T 74/20311; Y10T 74/20305; Y10S 901/01
See application file for complete search history.

(56) **References Cited**
U.S. PATENT DOCUMENTS
D295,105 S * 4/1988 Dawson D34/18
5,658,120 A * 8/1997 Watanabe B23Q 7/1436
414/495
D445,116 S * 7/2001 Evans D15/79
D616,908 S * 6/2010 Labak D15/199

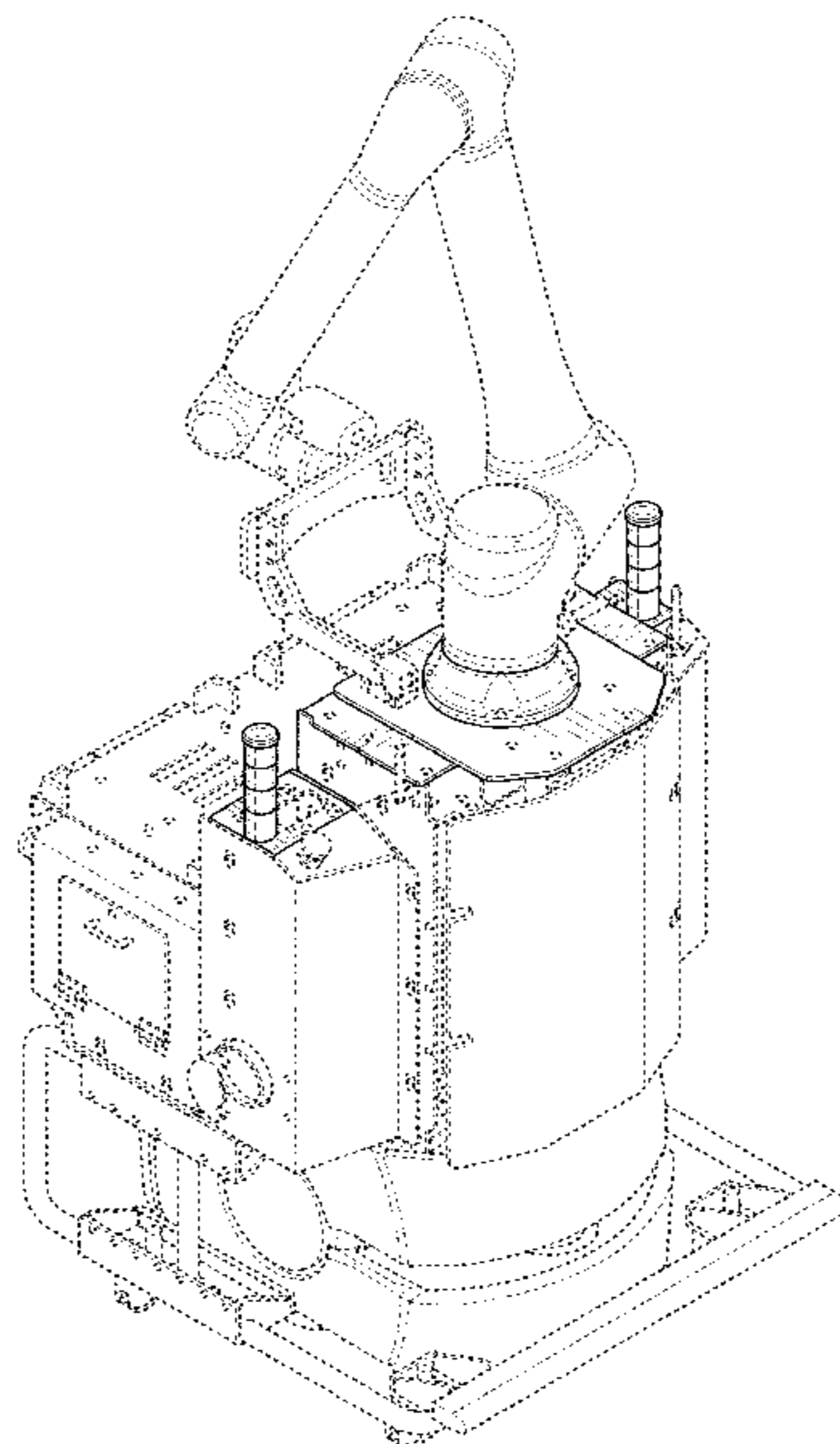
D712,447 S * 9/2014 He D15/199
D841,067 S * 2/2019 Camporesi D15/199
D843,427 S * 3/2019 Medal D15/199
D852,250 S * 6/2019 Nabeiro D15/199
2009/0035181 A1 * 2/2009 Chung G01N 35/0099
422/68.1
2010/0145520 A1 * 6/2010 Gerio G05B 19/425
700/264
2011/0077750 A1 * 3/2011 Stummer G08C 17/00
700/17
2011/0135189 A1 * 6/2011 Lee B25J 9/1682
382/153
2014/0074287 A1 * 3/2014 LaFary G05D 1/0274
700/253
2014/0350725 A1 * 11/2014 LaFary G06N 3/008
700/253
2015/0088359 A1 * 3/2015 Choi G05D 1/0225
701/23
2019/0126470 A1 * 5/2019 Oumi B25J 11/005

* cited by examiner
Primary Examiner — Patricia A Palasik
(74) *Attorney, Agent, or Firm* — Harness, Dickey & Pierce, P.L.C.

(57) **CLAIM**
The ornamental design for a transportation robot, as shown and described.

DESCRIPTION
FIG. 1 is a top, front, left perspective view of a transportation robot showing our new design;
FIG. 2 is a front view thereof;
FIG. 3 is a rear view thereof;
FIG. 4 is a right side view thereof;
FIG. 5 is a left side view thereof;
FIG. 6 is a top view thereof; and,
FIG. 7 is a bottom view thereof.
The broken lines in the figures show portions of the transportation robot that form no part of the claimed design.

1 Claim, 6 Drawing Sheets



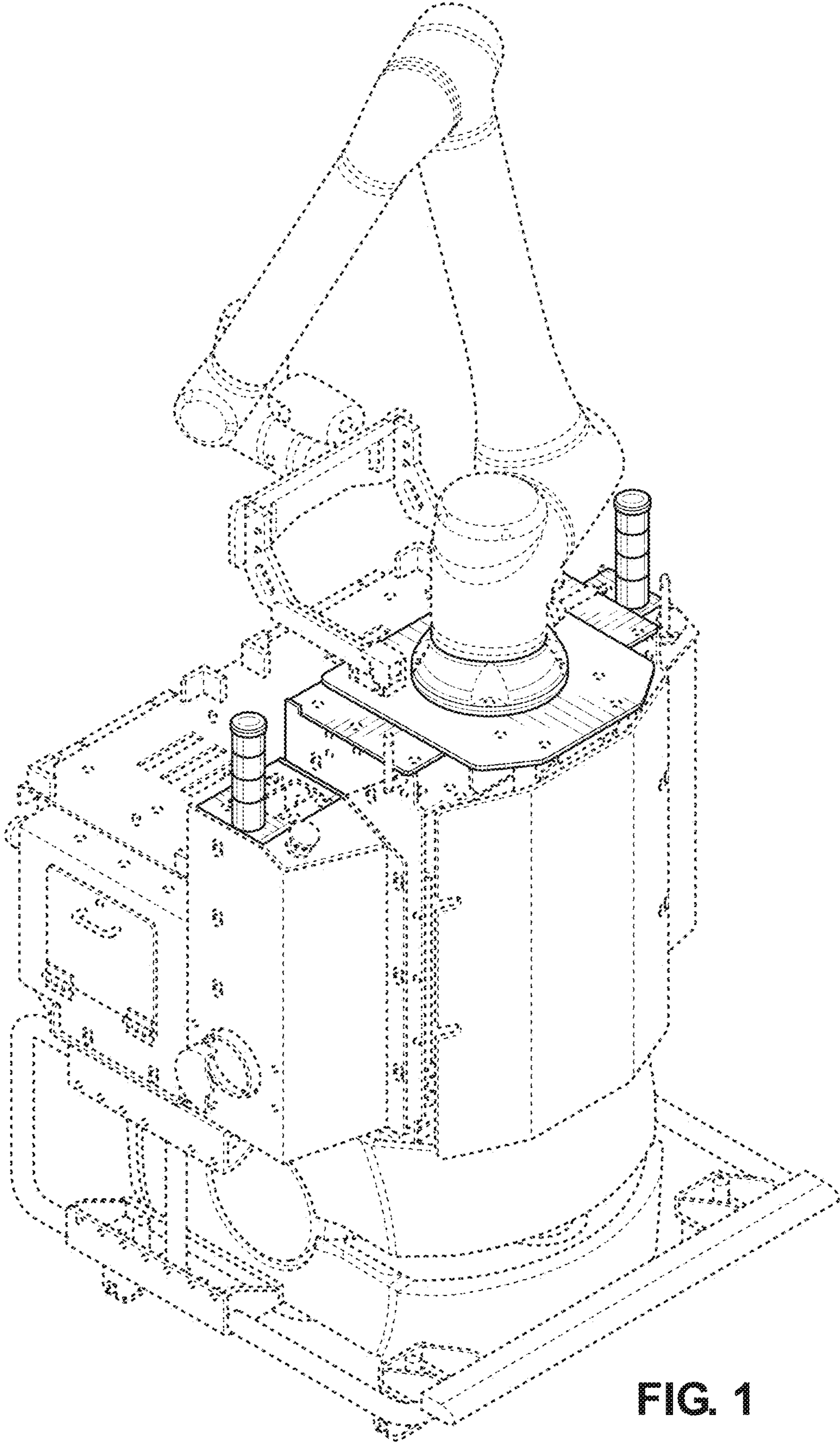


FIG. 1

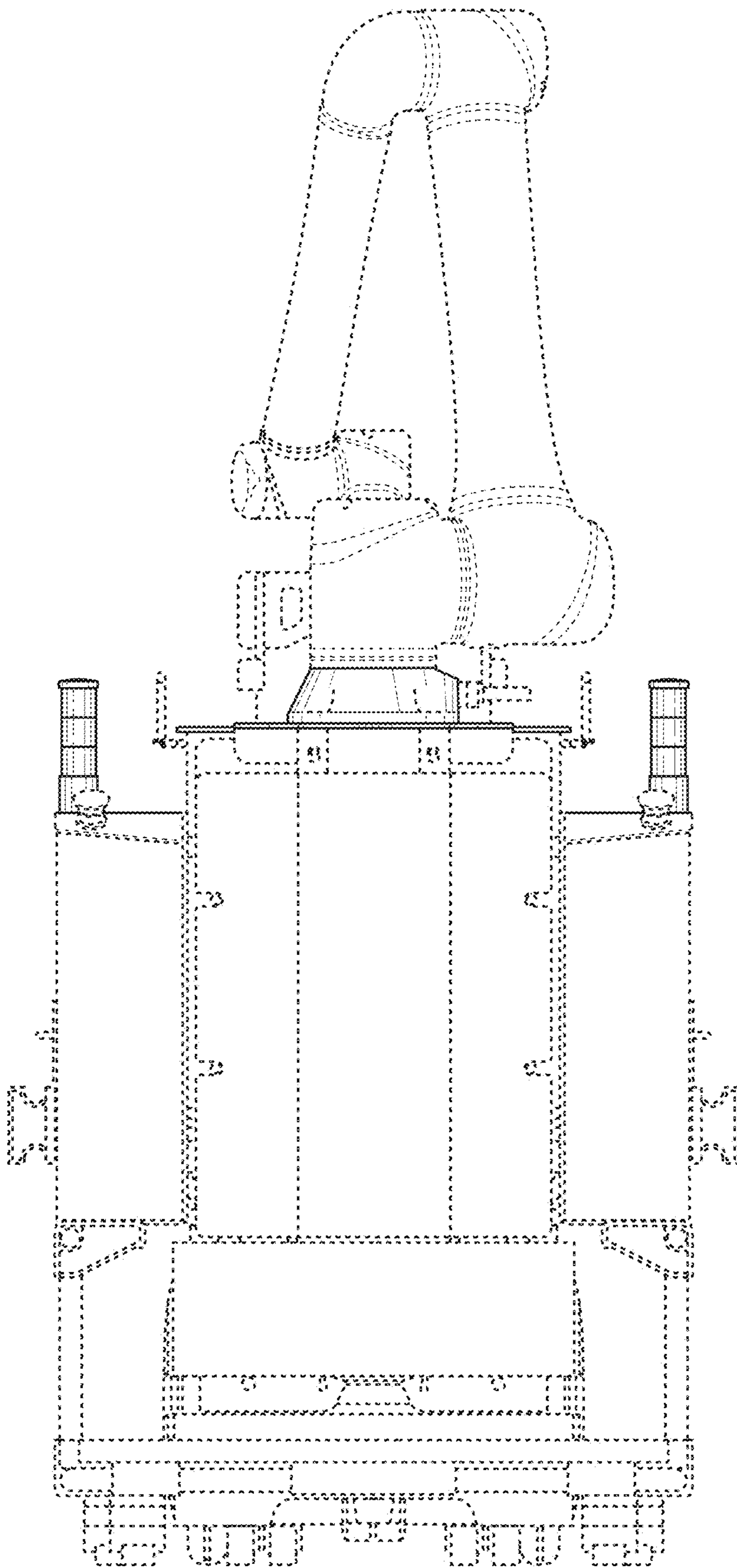


FIG. 2

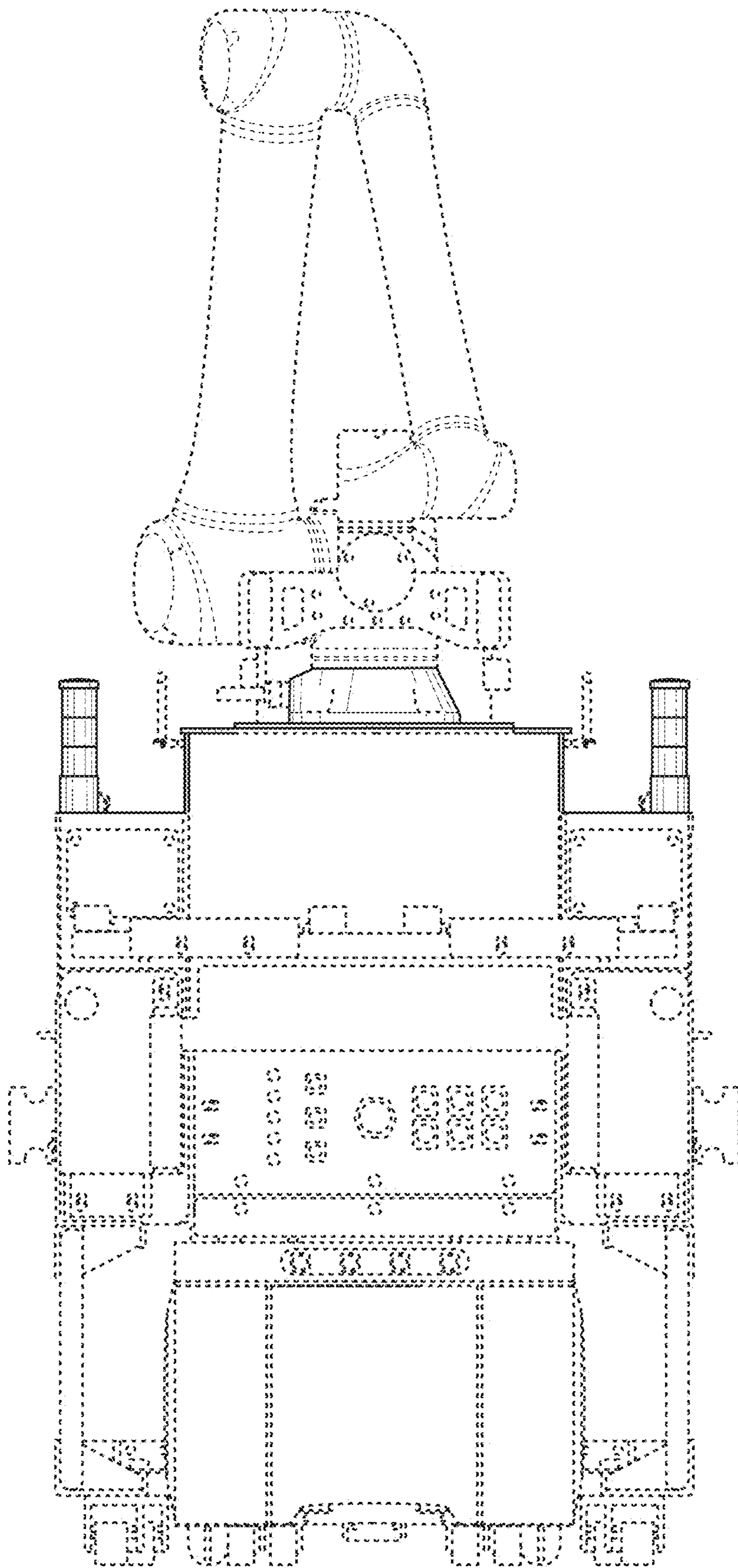


FIG. 3

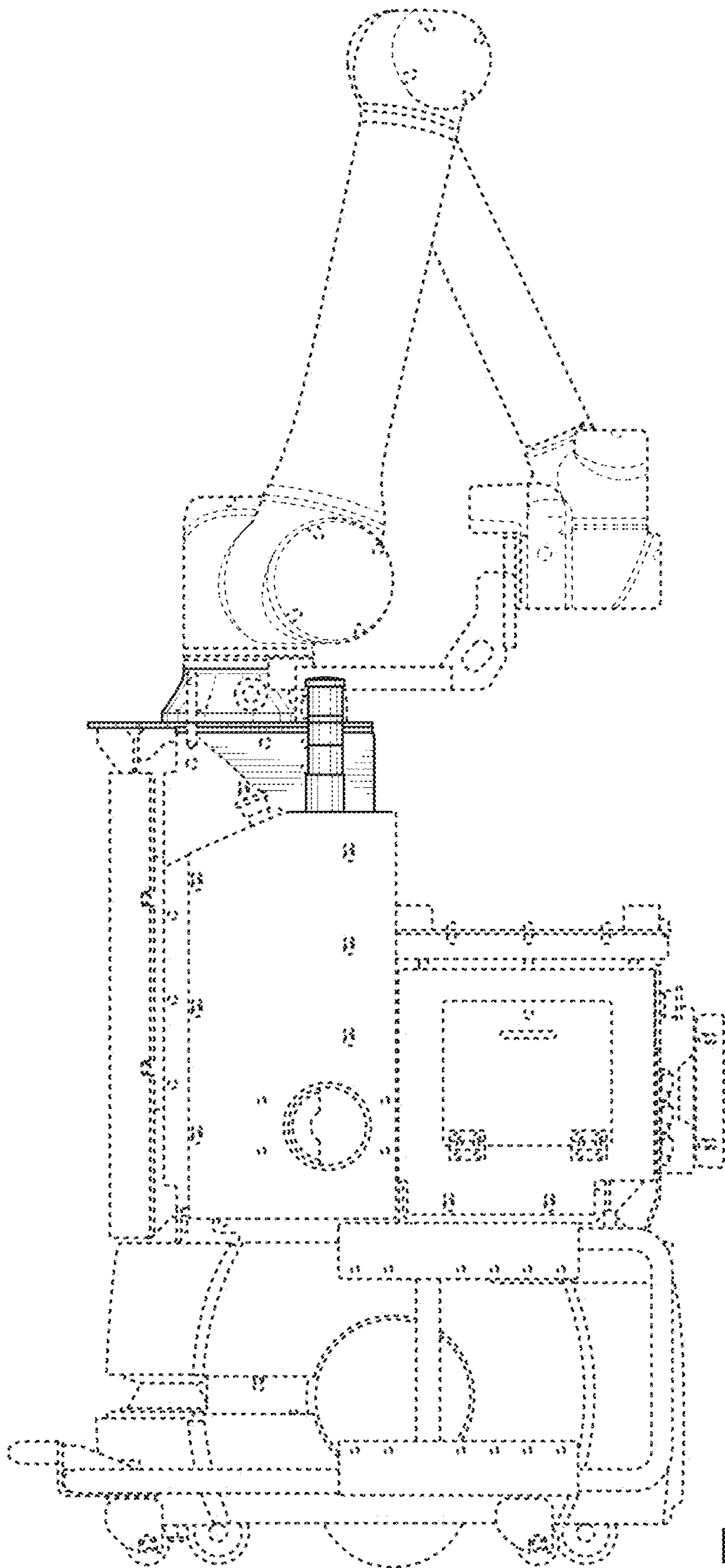


FIG. 4

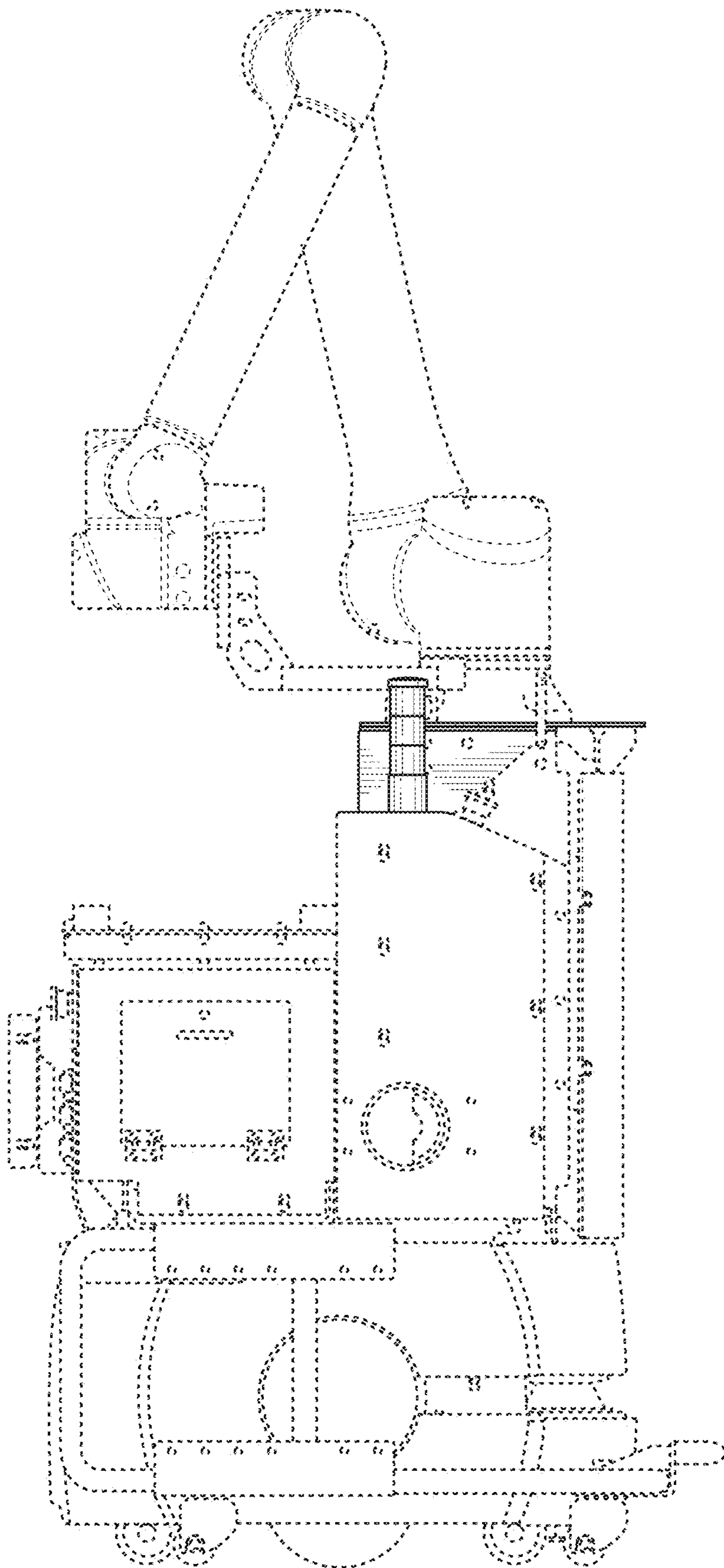


FIG. 5

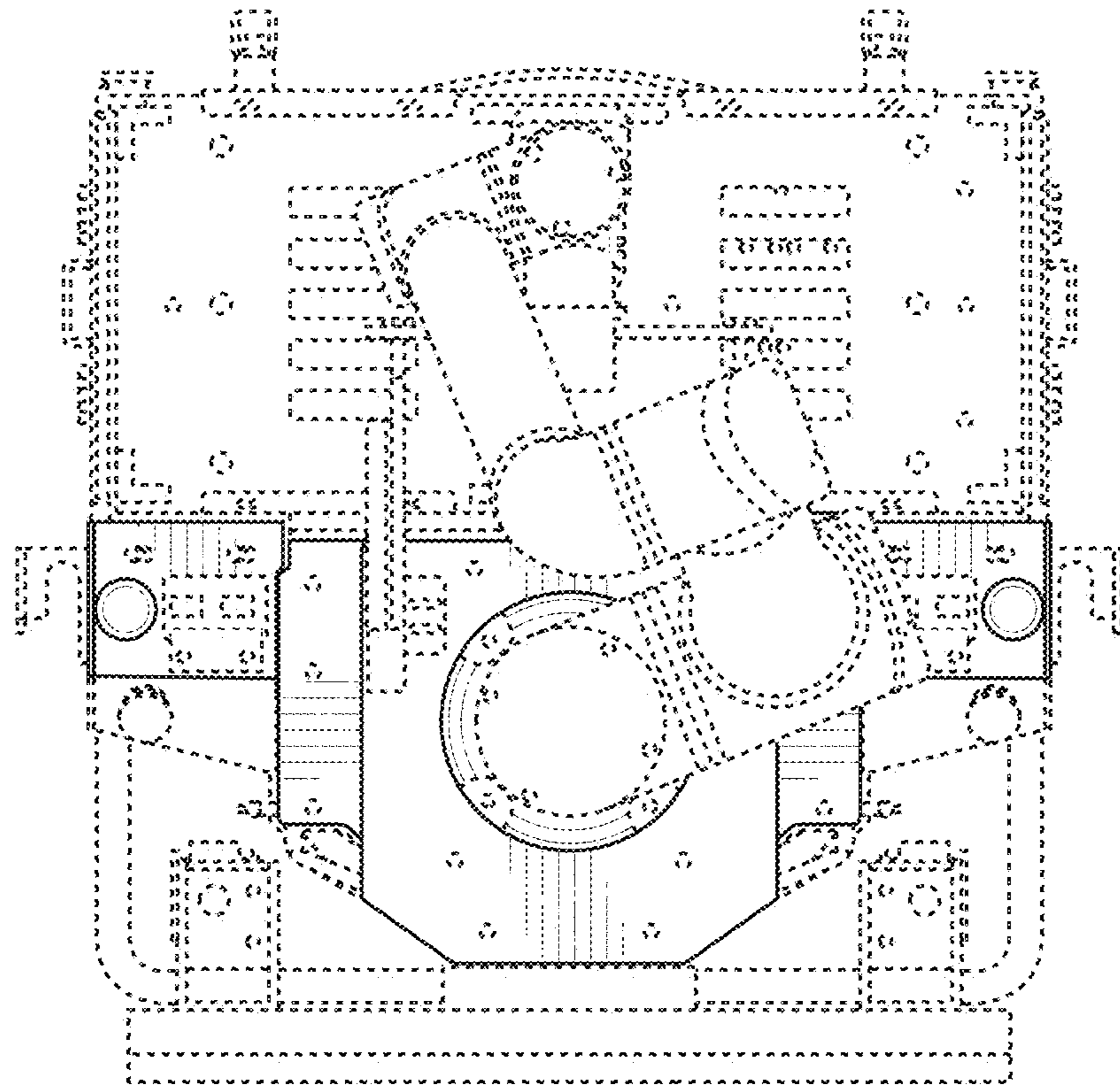


FIG. 6

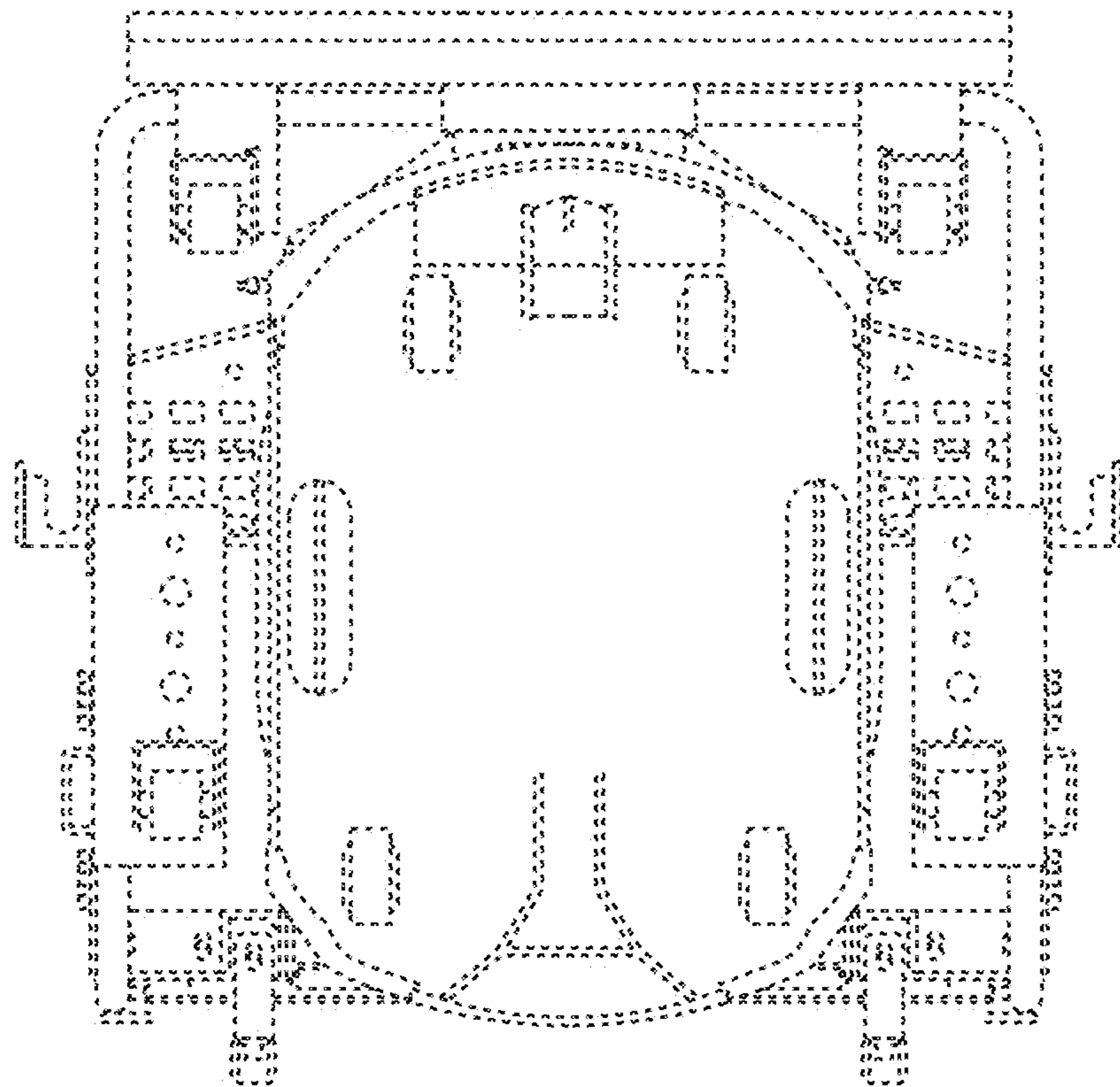


FIG. 7