



US00D894983S

(12) **United States Design Patent** (10) **Patent No.:** **US D894,983 S**  
**Okada et al.** (45) **Date of Patent:** **\*\* Sep. 1, 2020**

(54) **TRANSPORTATION ROBOT**  
 (71) Applicant: **OMRON CORPORATION**, Kyoto-shi, Kyoto (JP)  
 (72) Inventors: **Tomohiro Okada**, Shiga (JP); **Akiro Kobayashi**, Shiga (JP); **Shinji Kobayashi**, Nara (JP)  
 (73) Assignee: **OMRON CORPORATION**, Kyoto (JP)  
 (\*\*) Term: **15 Years**  
 (21) Appl. No.: **29/693,757**  
 (22) Filed: **Jun. 5, 2019**

(30) **Foreign Application Priority Data**  
 Mar. 14, 2019 (JP) ..... 2019-005350  
 (51) **LOC (12) Cl.** ..... **15-99**  
 (52) **U.S. Cl.**  
 USPC ..... **D15/199**  
 (58) **Field of Classification Search**  
 USPC ..... D15/199; D21/578-583, 621, 622; D32/21; D34/34  
 CPC ..... B23K 9/133; B23K 9/287; B25J 9/0018; B25J 19/0025; Y10T 74/20; Y10T 74/20207; Y10T 74/20311; Y10T 74/20305; Y10S 901/01  
 See application file for complete search history.

(56) **References Cited**  
 U.S. PATENT DOCUMENTS  
 D295,105 S \* 4/1988 Dawson ..... D34/18  
 5,658,120 A \* 8/1997 Watanabe ..... B23Q 7/1436  
 414/495  
 D445,116 S \* 7/2001 Evans ..... D15/79  
 D616,908 S \* 6/2010 Labak ..... D15/199  
 D712,447 S \* 9/2014 He ..... D15/199

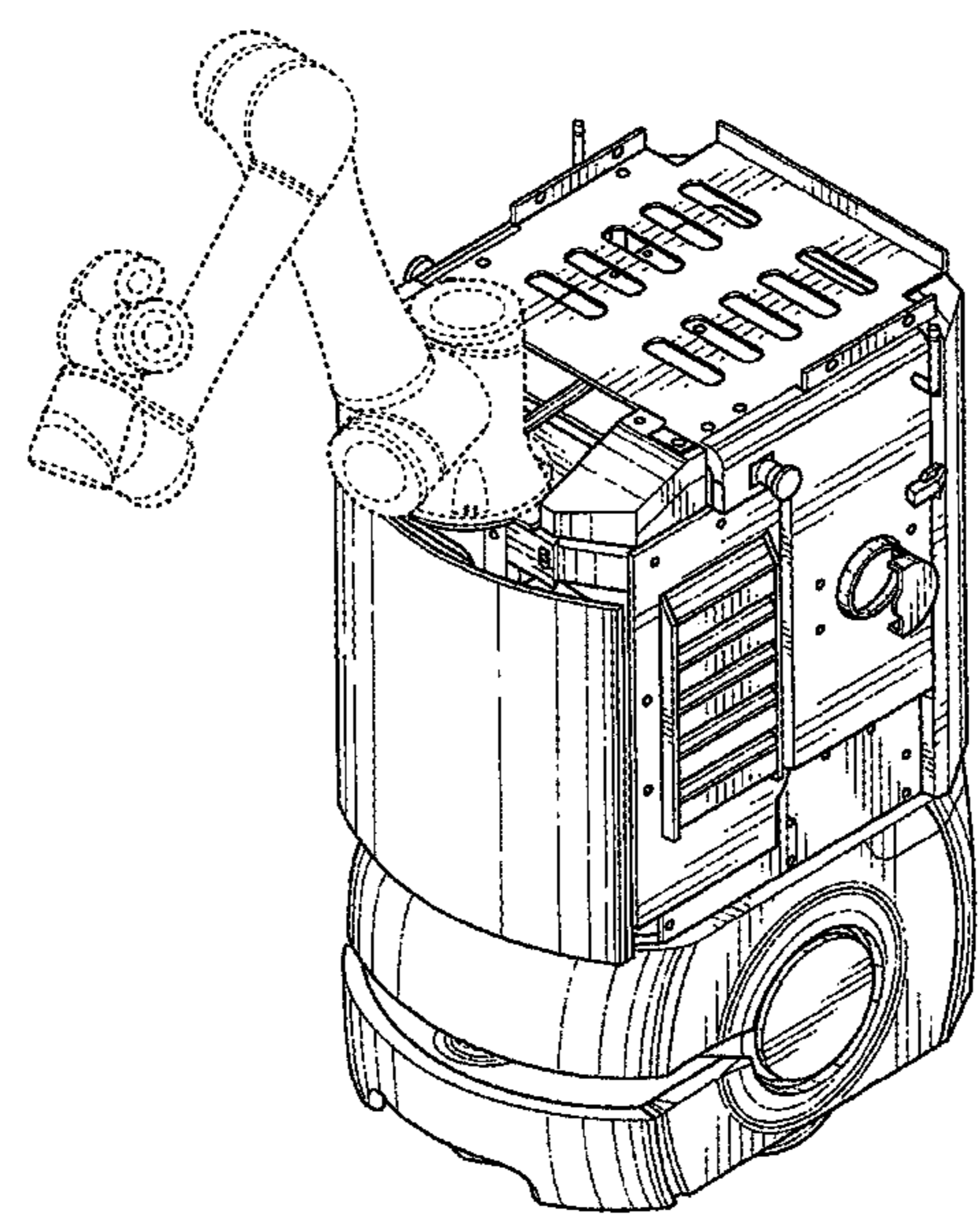
D841,067 S \* 2/2019 Camporesi ..... D15/199  
 D843,427 S \* 3/2019 Medal ..... D15/199  
 D852,250 S \* 6/2019 Nabeiro ..... D15/199  
 2009/0035181 A1 \* 2/2009 Chung ..... G01N 35/0099  
 422/68.1  
 2010/0145520 A1 \* 6/2010 Gerio ..... G05B 19/425  
 700/264  
 2011/0077750 A1 \* 3/2011 Stummer ..... G08C 17/00  
 700/17  
 2011/0135189 A1 \* 6/2011 Lee ..... B25J 9/1682  
 382/153  
 2014/0074287 A1 \* 3/2014 LaFary ..... G05D 1/0274  
 700/253  
 2014/0350725 A1 \* 11/2014 LaFary ..... G06N 3/008  
 700/253  
 2015/0088359 A1 \* 3/2015 Choi ..... G05D 1/0225  
 701/23  
 2019/0126470 A1 \* 5/2019 Oumi ..... B25J 11/005

\* cited by examiner  
*Primary Examiner* — Patricia A Palasik  
 (74) *Attorney, Agent, or Firm* — Harness, Dickey & Pierce, P.L.C.

(57) **CLAIM**  
 The ornamental design for a transportation robot, as shown and described.

**DESCRIPTION**  
 FIG. 1 is a top, front right perspective view of a transportation robot showing our new design;  
 FIG. 2 is a top, rear, right perspective view thereof;  
 FIG. 3 is a front view thereof;  
 FIG. 4 is a rear view thereof;  
 FIG. 5 is a left side view thereof;  
 FIG. 6 is a right side view thereof;  
 FIG. 7 is a top view thereof; and,  
 FIG. 8 is a bottom view thereof.  
 The broken lines in the figures show portions of the transportation robot that form no part of the claimed design.

**1 Claim, 8 Drawing Sheets**



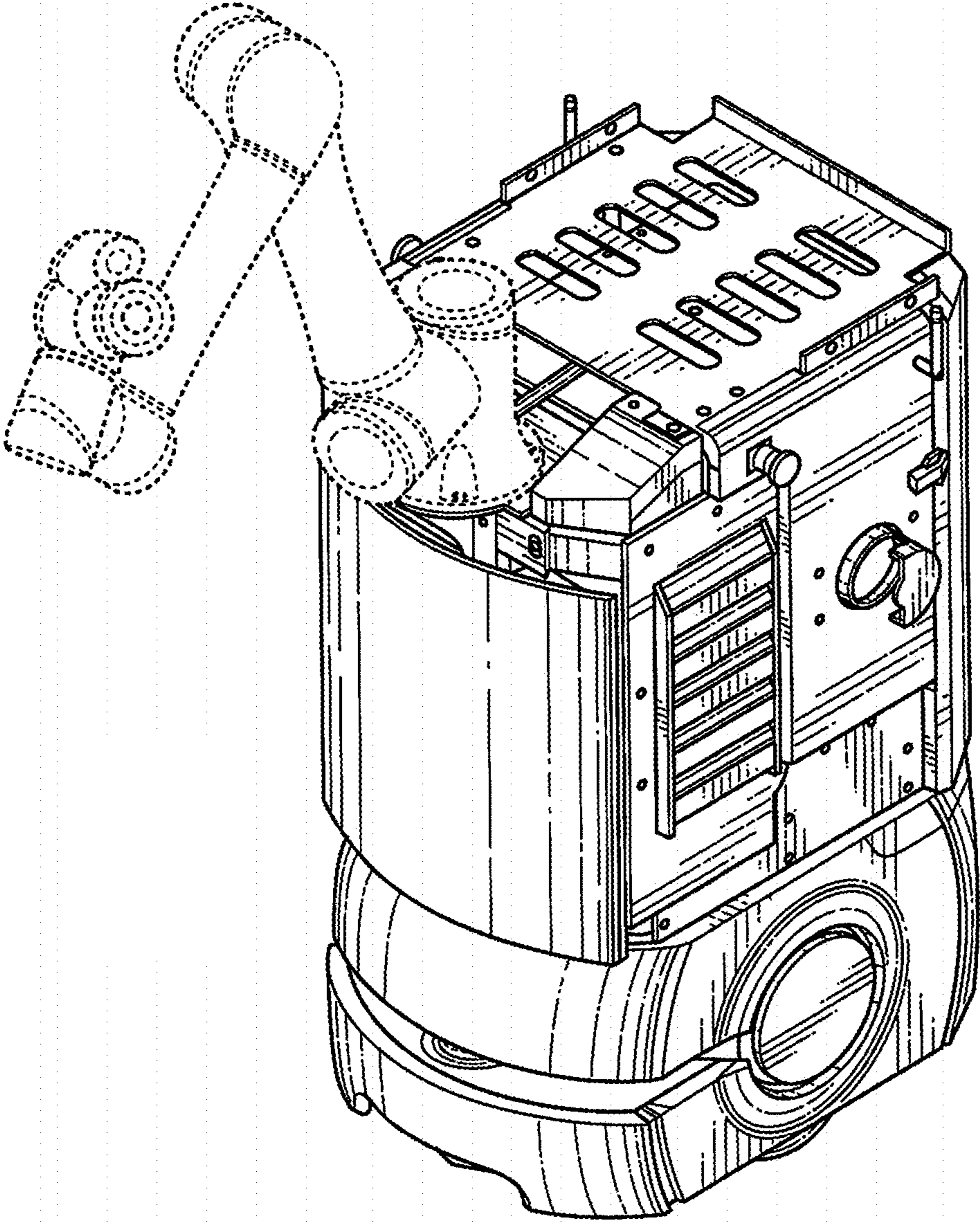


FIG. 1

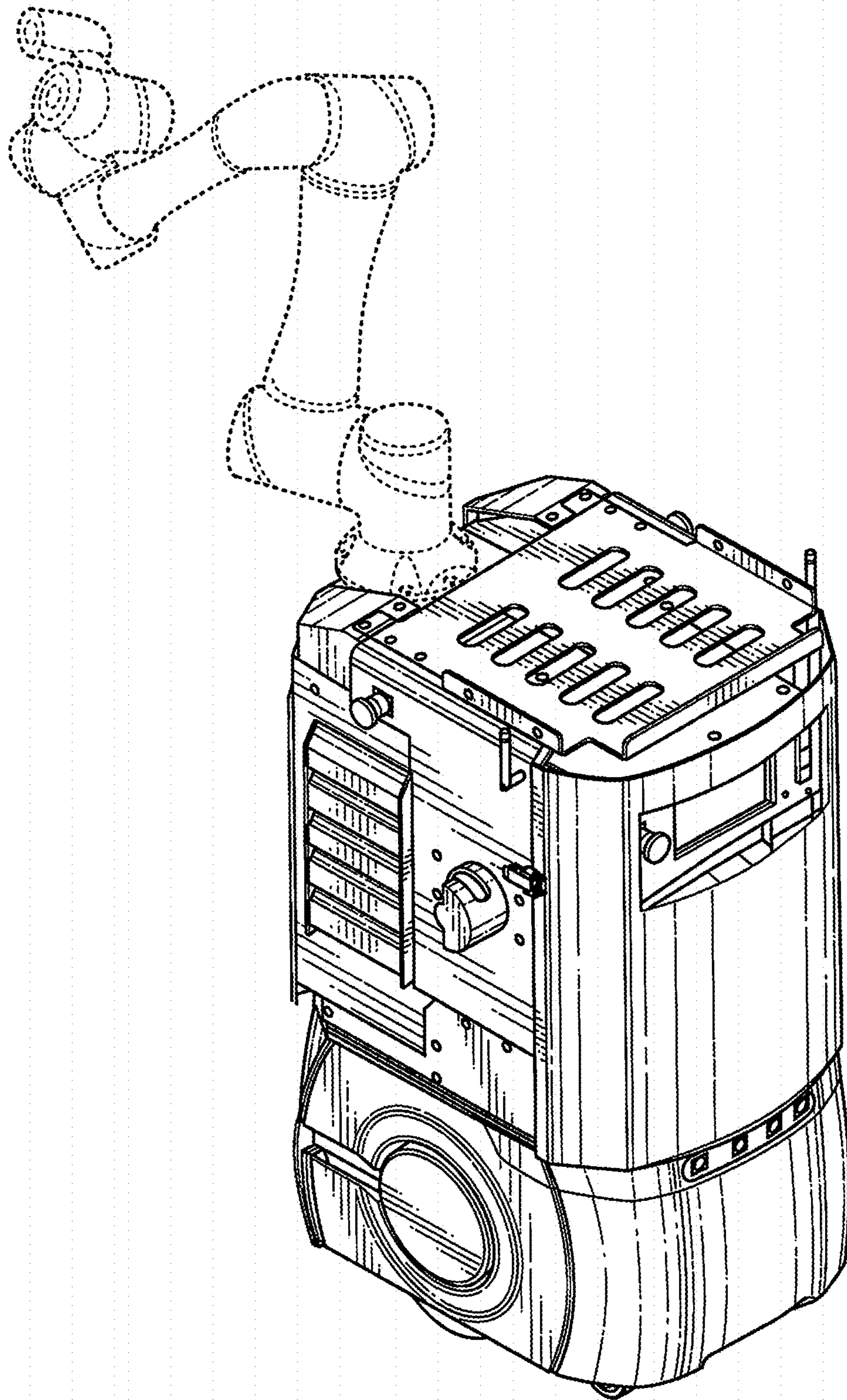


FIG. 2

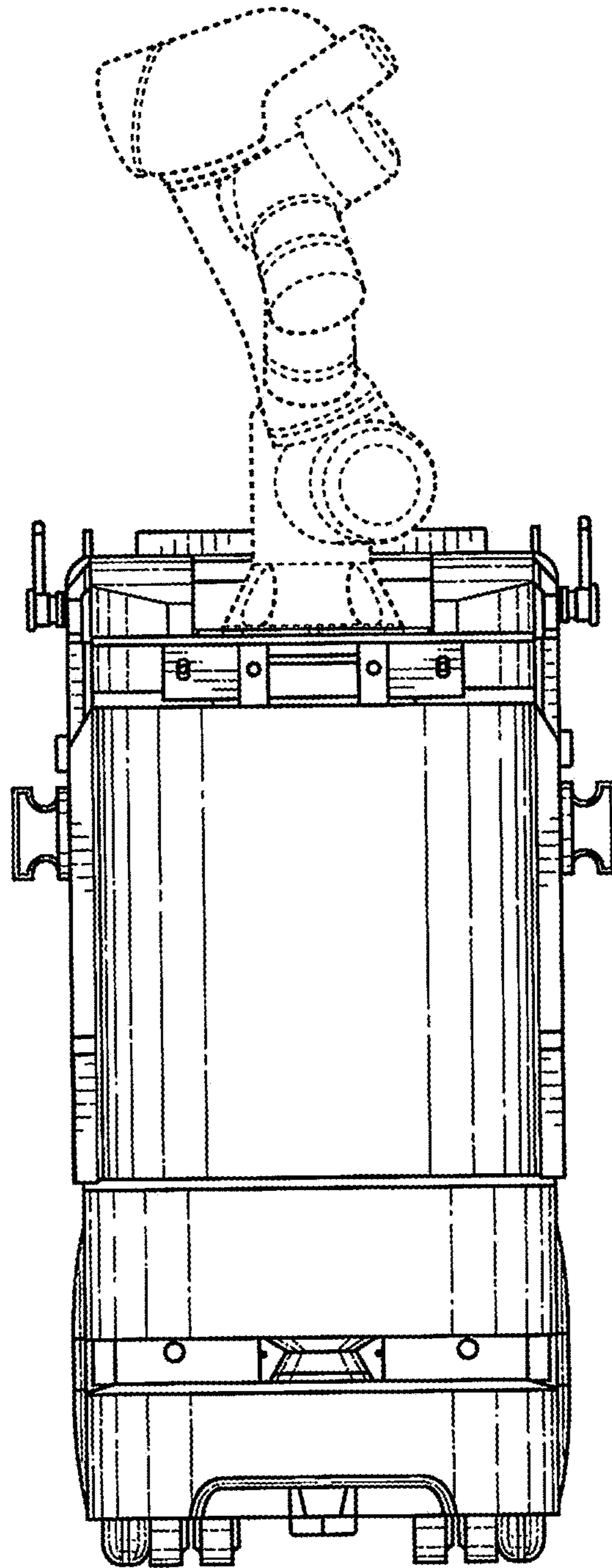


FIG. 3

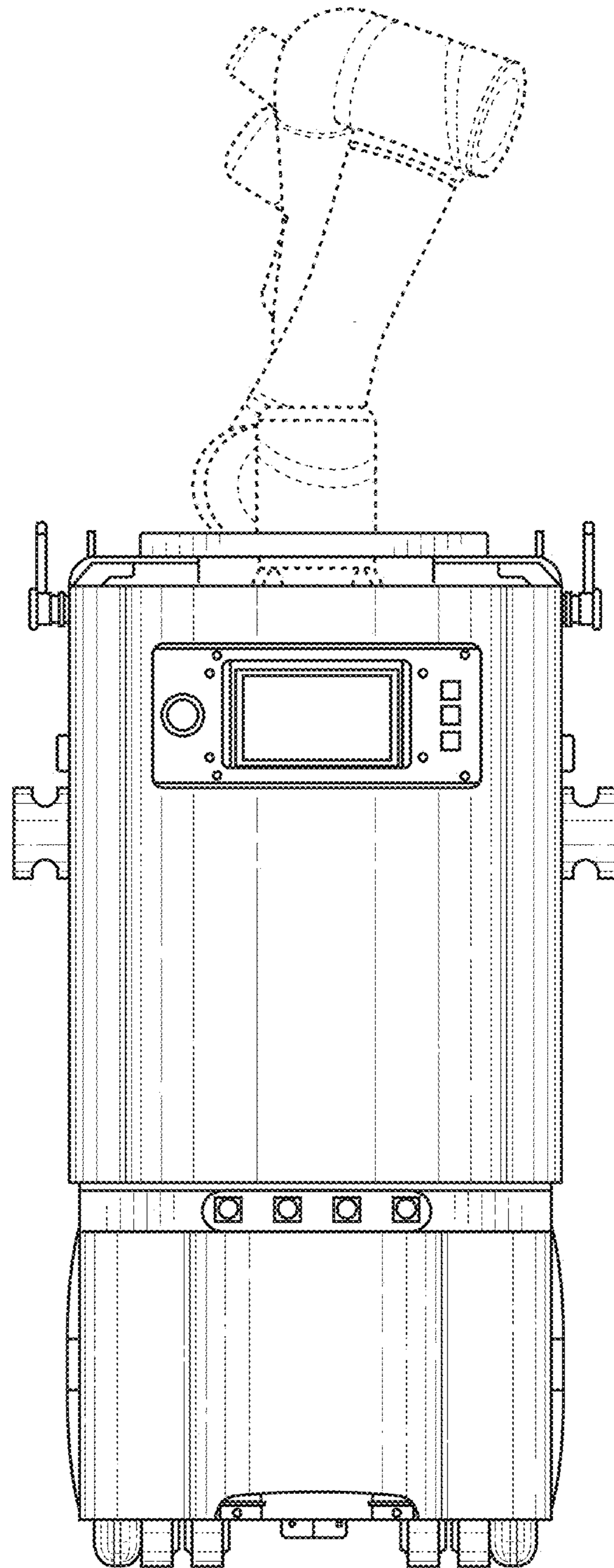


FIG. 4

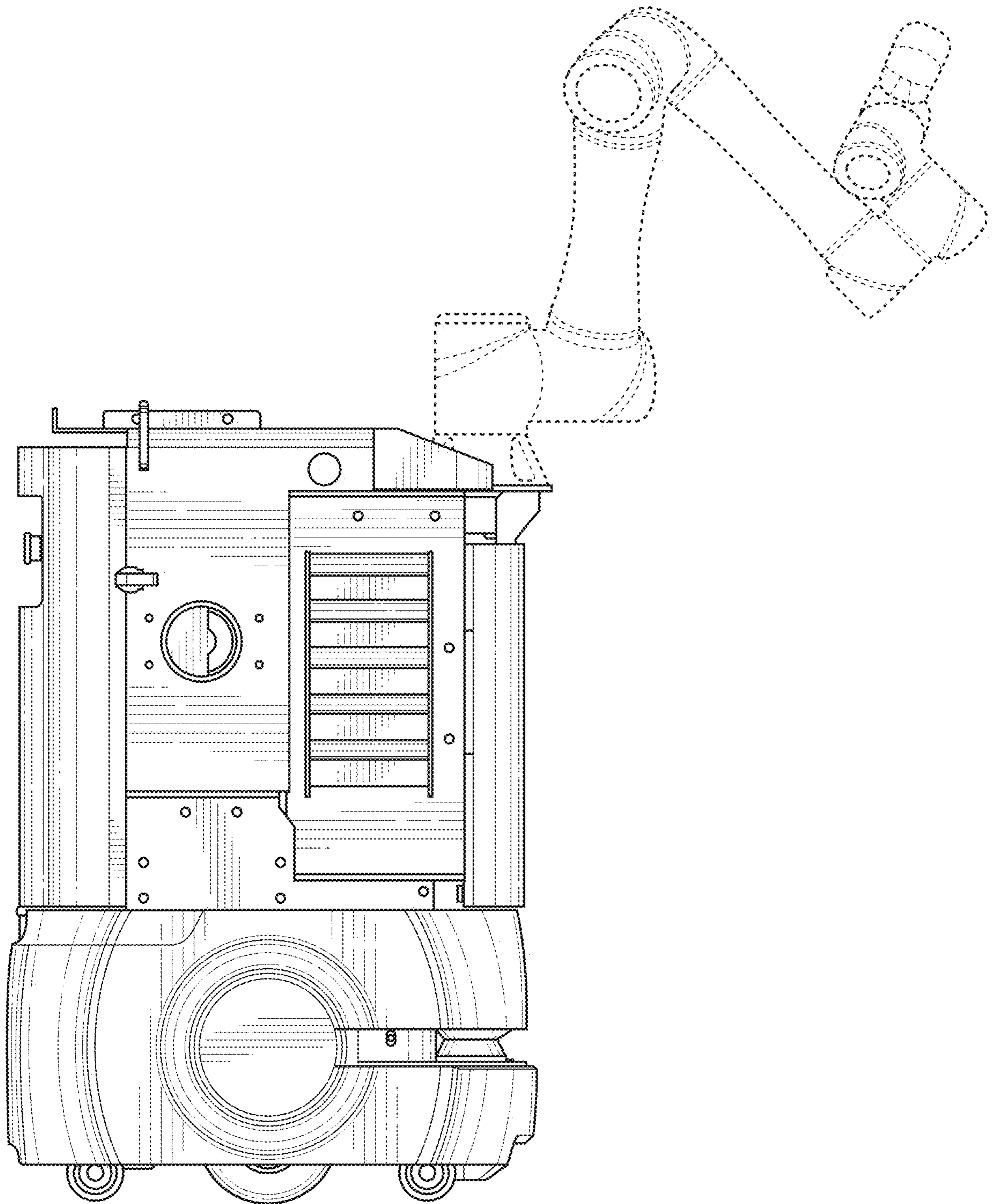


FIG. 5

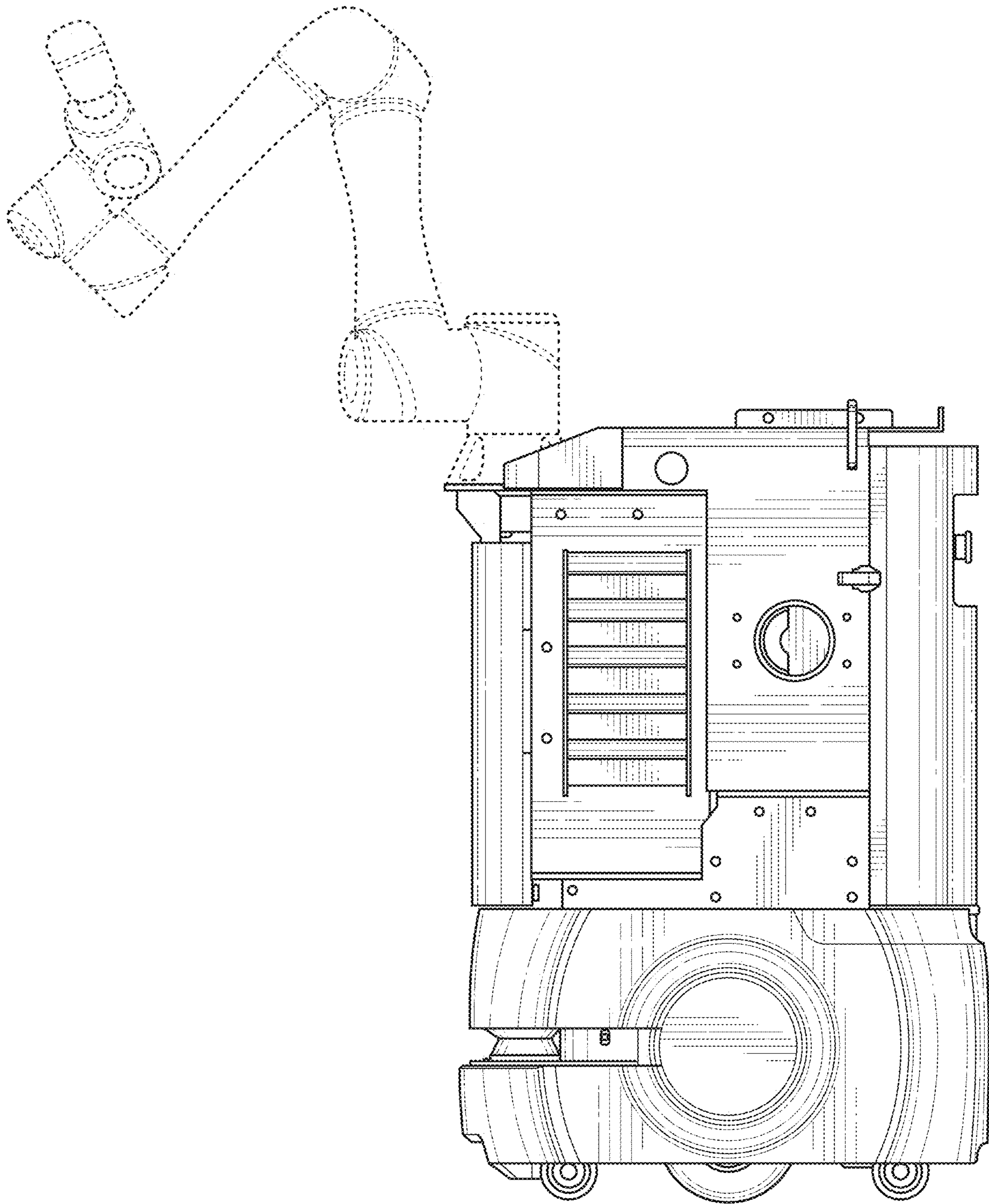


FIG. 6

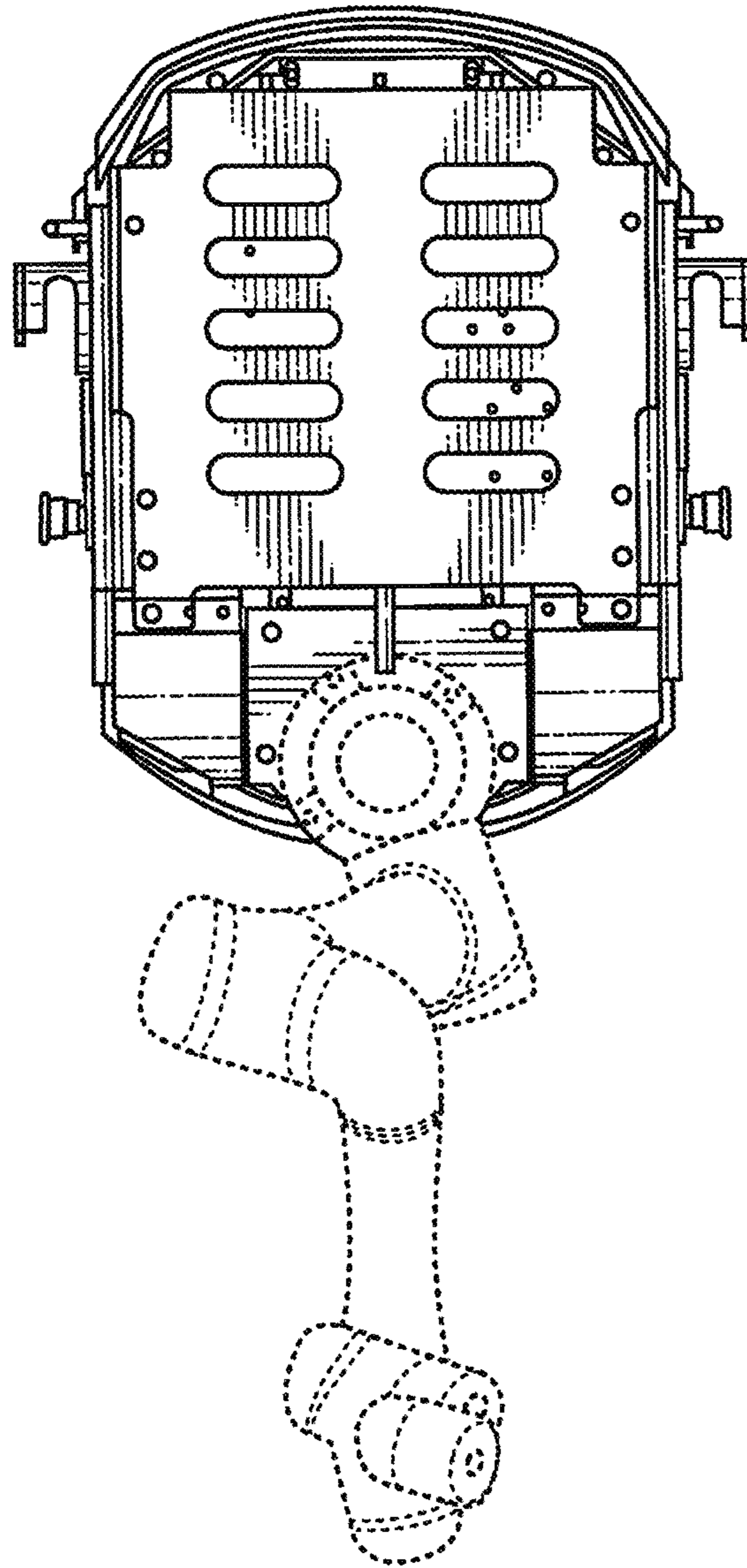


FIG. 7



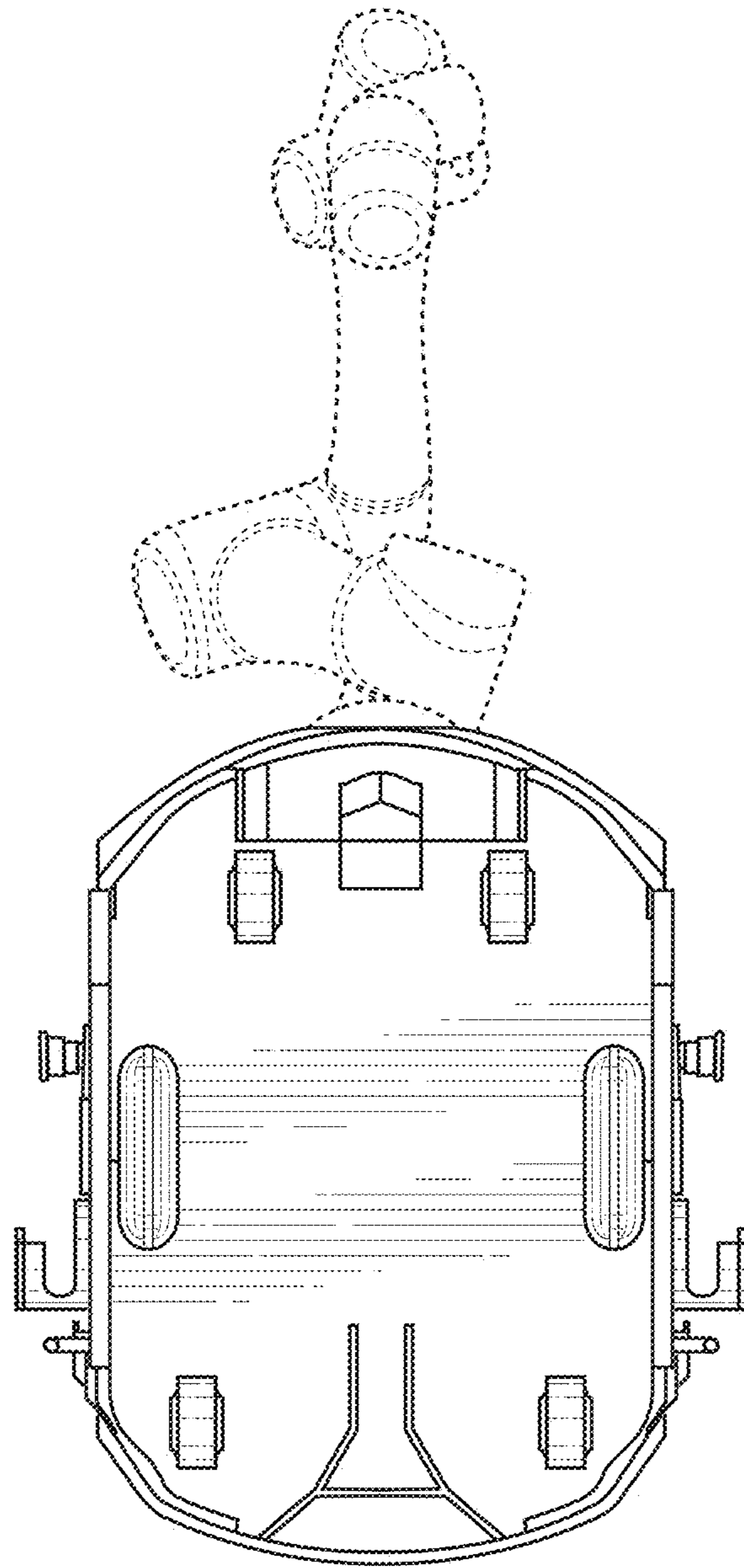


FIG. 8