



US00D894982S

(12) **United States Design Patent** (10) **Patent No.:** **US D894,982 S**
Nagafuchi et al. (45) **Date of Patent:** **** Sep. 1, 2020**

(54) **CUTTING INSERT**
(71) Applicant: **MITSUBISHI HITACHI TOOL ENGINEERING, LTD.**, Tokyo (JP)
(72) Inventors: **Kenji Nagafuchi**, Narita (JP); **Yasuhiro Kiuchi**, Narita (JP); **Yoshiyuki Kobayashi**, Narita (JP)
(73) Assignee: **Mitsubishi Hitachi Tool Engineering, Ltd**, Tokyo (JP)

D388,444 S * 12/1997 Satran D15/139
D404,406 S * 1/1999 Satran D15/139
6,217,264 B1 * 4/2001 Kim B23B 27/143
407/114
D485,852 S * 1/2004 Arvidsson D15/139
D486,505 S * 2/2004 Arvidsson D15/139
D487,281 S * 3/2004 Roman D15/139
6,957,935 B2 * 10/2005 Sung B23C 5/202
407/113
D637,214 S * 5/2011 Saito D15/139
D638,041 S * 5/2011 Saito D15/139
8,177,460 B2 * 5/2012 Satran B23C 5/2213
407/113
8,419,320 B2 * 4/2013 Sung B23C 5/06
407/113
D688,716 S * 8/2013 Lampe D15/139
8,727,675 B2 * 5/2014 Nam B23C 5/06
407/103
8,876,440 B2 * 11/2014 Nam B23C 5/06
407/113
D736,841 S * 8/2015 Jung D15/139
D748,703 S * 2/2016 Nam D15/139

(**) Term: **15 Years**

(21) Appl. No.: **35/505,732**

(22) Filed: **Mar. 23, 2018**

(80) **Hague Agreement Data**

Int. Filing Date: **Mar. 23, 2018**
Int. Reg. No.: **DM/101456**
Int. Reg. Date: **Mar. 23, 2018**
Int. Reg. Pub. Date: **Sep. 28, 2018**

(51) **LOC (12) Cl.** **15-09**
(52) **U.S. Cl.**
USPC **D15/139**
CPC **B23B 27/145 (2013.01)**

(58) **Field of Classification Search**
USPC D15/124-144; D8/20, 70, 90, 98;
409/139-140; 407/59, 114
CPC ... B23C 5/06; B23C 5/202; B23C 2200/0455;
B23C 2200/081; B23C 2200/087; B23C
2200/206; B23C 2210/66; B23B
2200/0471; B23B 2200/081; B23B
2200/086; B23B 27/145; Y10T 407/245
See application file for complete search history.

(56) **References Cited**

U.S. PATENT DOCUMENTS

D347,642 S * 6/1994 Lindberg D15/139
D379,360 S * 5/1997 Satran D15/139

(Continued)
Primary Examiner — Richard E Chilcot
(74) *Attorney, Agent, or Firm* — Banner & Witcoff, Ltd.

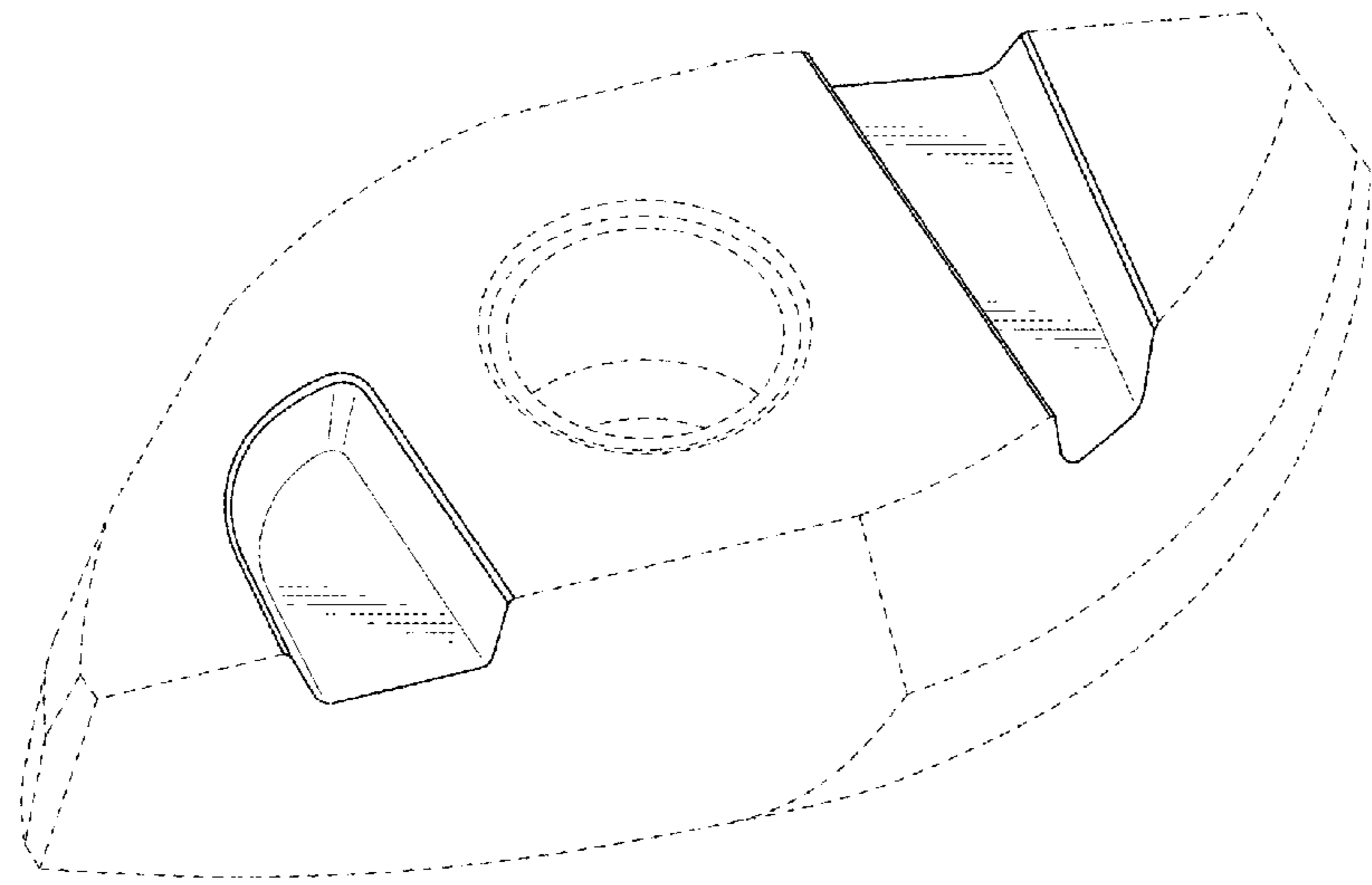
(57) **CLAIM**

The ornamental design for a cutting insert, as shown and described.

DESCRIPTION

3.1-3.8. Cutting inserts
FIG. 3.1 is a Front Perspective View of a cutting insert showing our new design;
FIG. 3.2 is a Rear Perspective View thereof;
FIG. 3.3 is a Top View thereof;
FIG. 3.4 is a Bottom View thereof;
FIG. 3.5 is a Front View thereof;
FIG. 3.6 is a Back View thereof;
FIG. 3.7 is a Left View thereof; and
FIG. 3.8 is a Right View thereof.
The broken lines depicting the remainder of the cutting insert show features that form no part of the claimed design.

1 Claim, 8 Drawing Sheets



(56)

References Cited

U.S. PATENT DOCUMENTS

D752,664	S	*	3/2016	Jung	D15/139
D755,267	S	*	5/2016	Lee	D15/139
D771,726	S	*	11/2016	Nam	D15/139
D772,318	S	*	11/2016	Nam	D15/139
D772,319	S	*	11/2016	Nam	D15/139
D772,963	S	*	11/2016	Nam	D15/139
9,545,672	B2	*	1/2017	Lee	B23C 5/06
9,623,486	B2	*	4/2017	Nam	B23C 5/06
D816,133	S	*	4/2018	Mura	D15/139
D816,134	S	*	4/2018	Mura	D15/139
D826,664	S	*	8/2018	Matsubara	D8/20
D828,414	S	*	9/2018	Takahashi	D15/139
D853,456	S	*	7/2019	Aizawa	D15/138

* cited by examiner

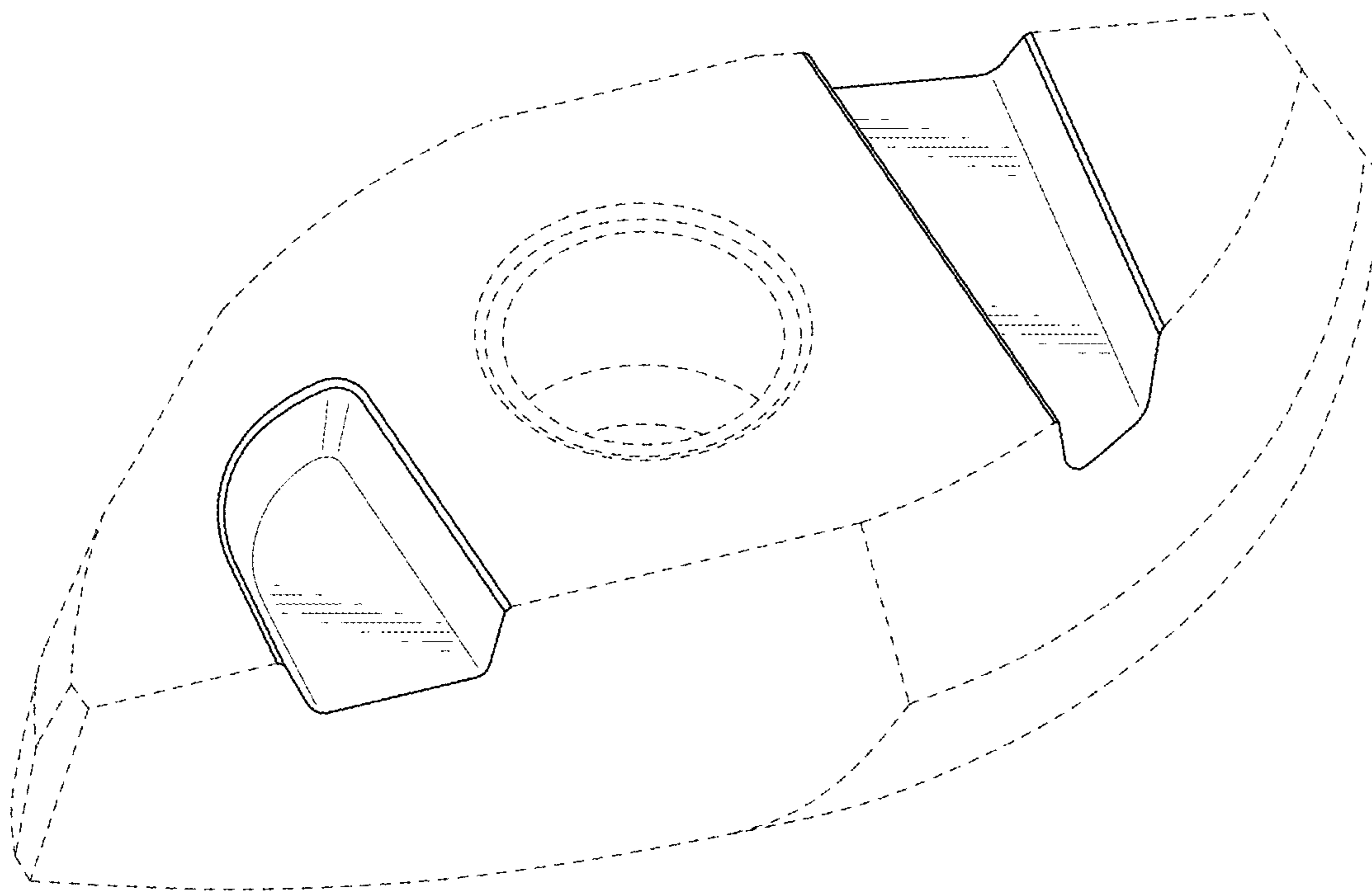


FIG. 3.1

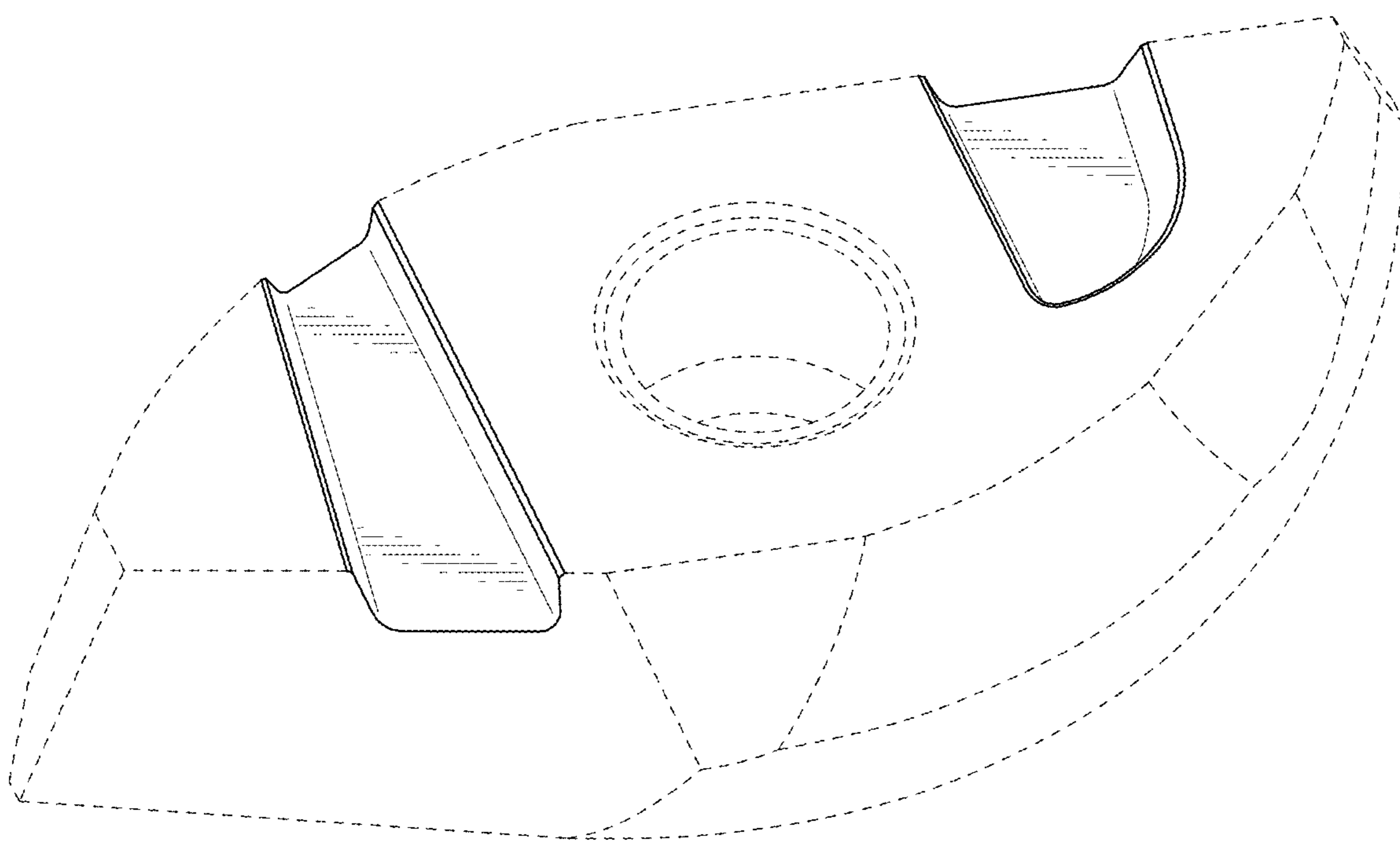


FIG. 3.2

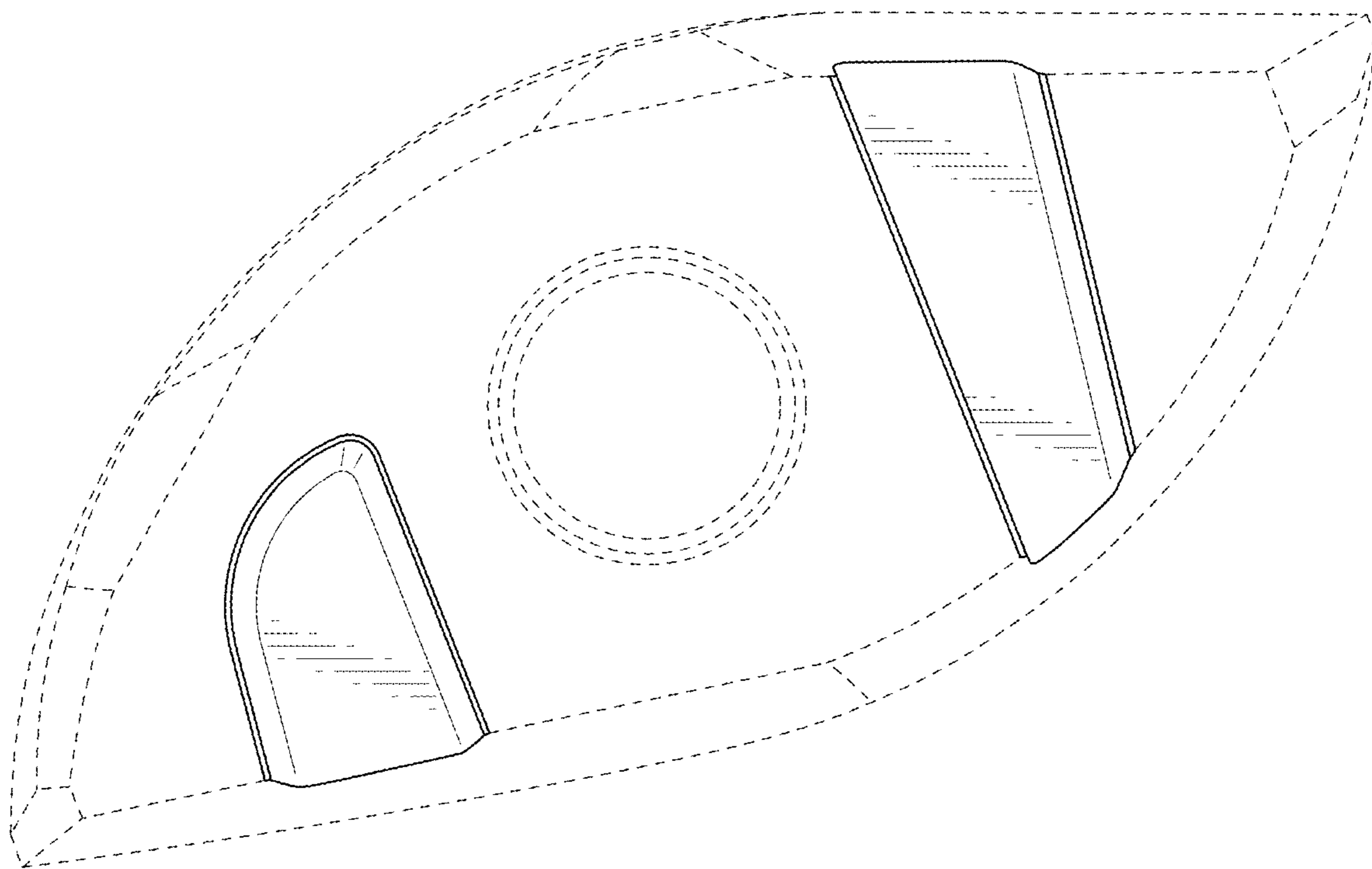


FIG. 3.3

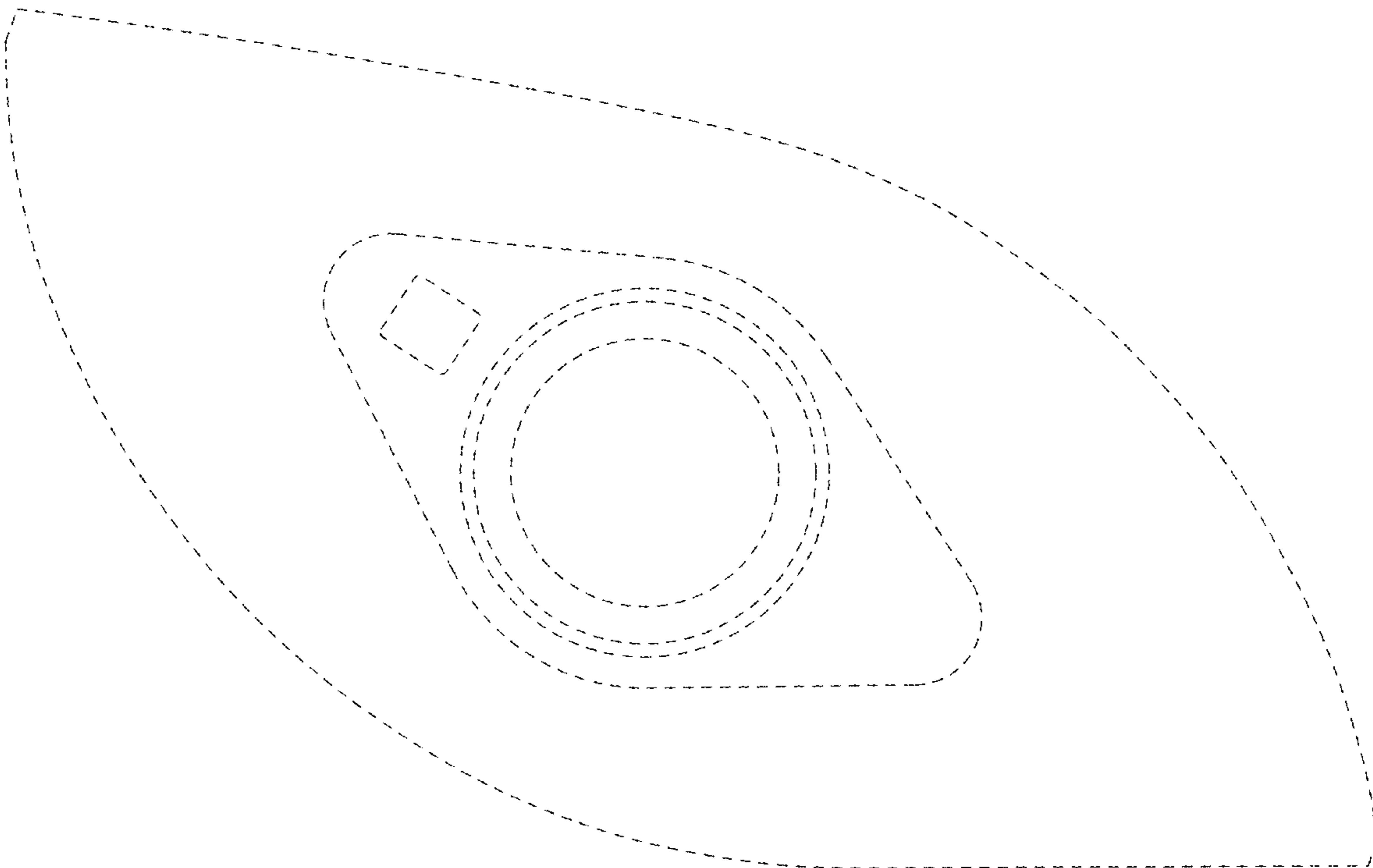


FIG. 3.4

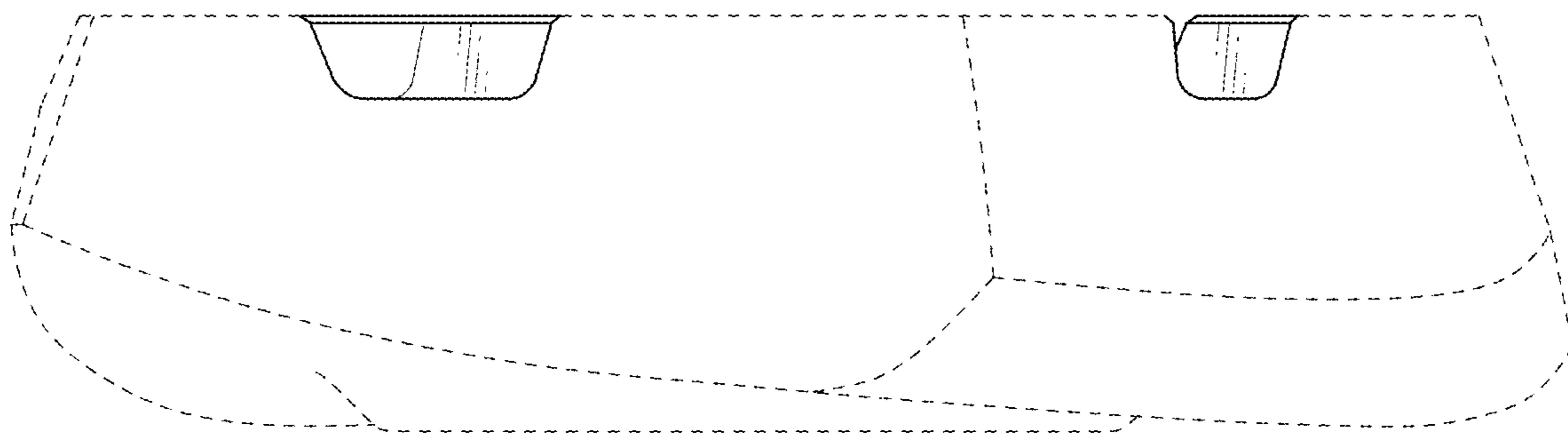


FIG. 3.5

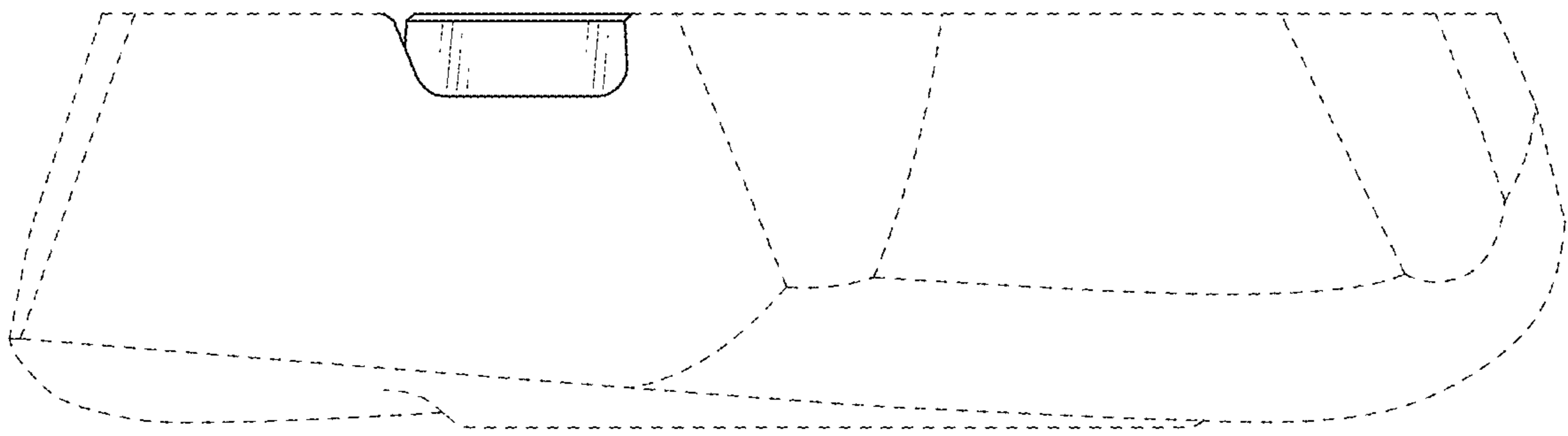


FIG. 3.6

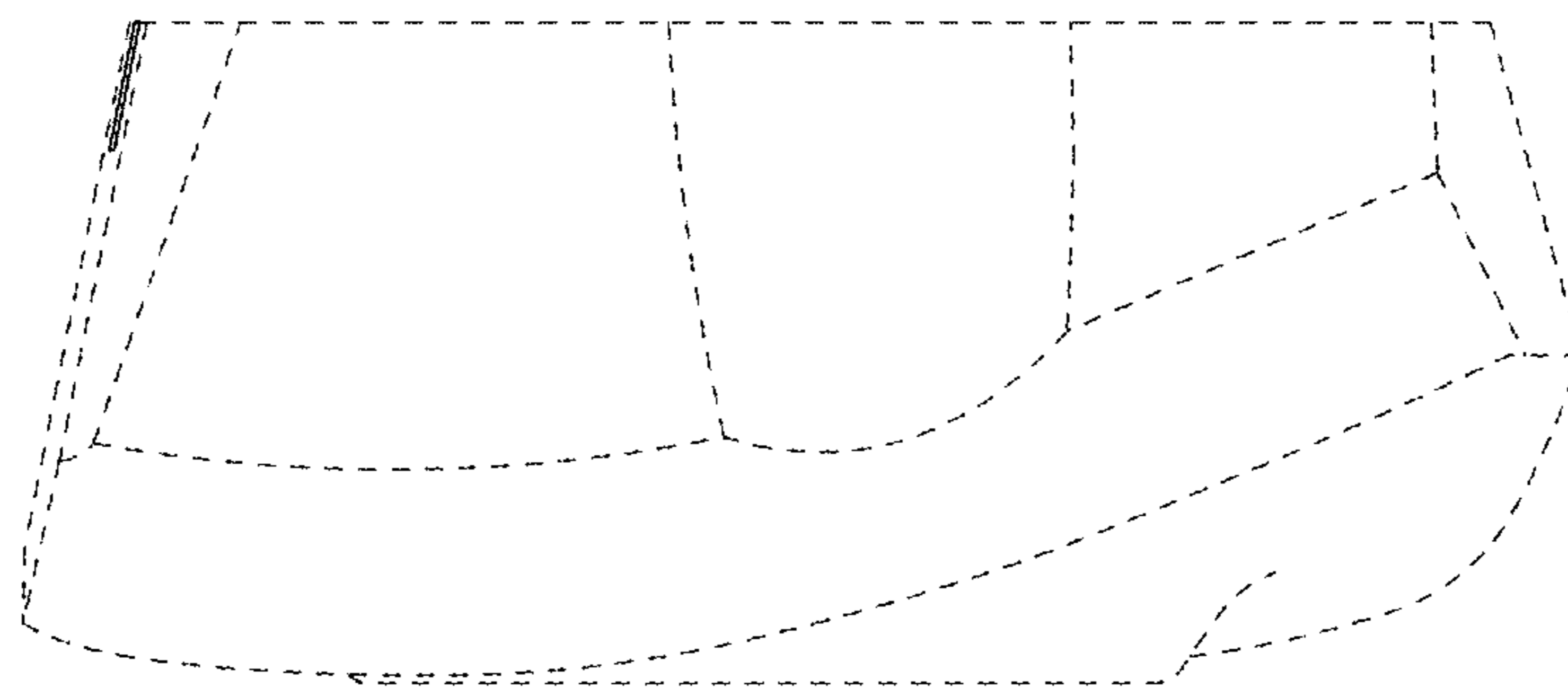


FIG. 3.7

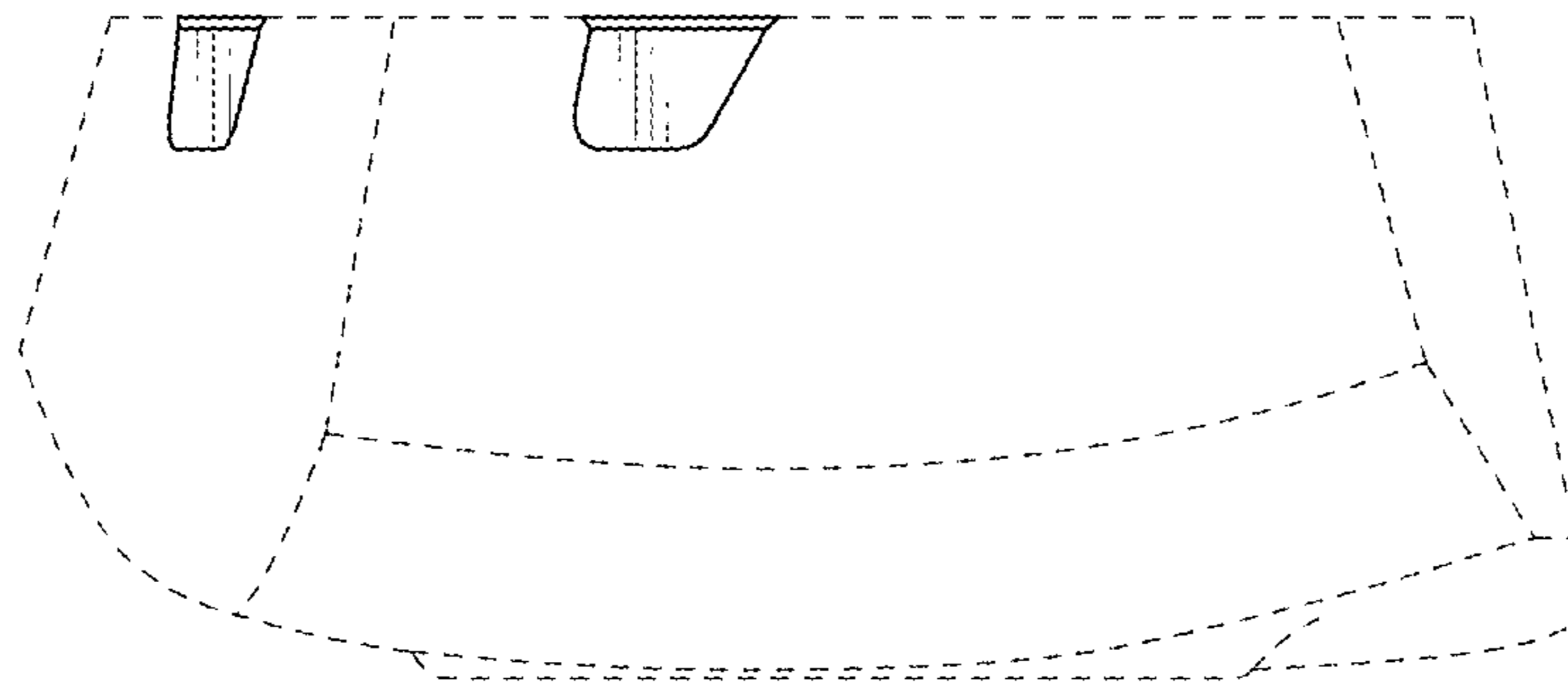


FIG. 3.8