



US00D894981S

(12) **United States Design Patent** (10) **Patent No.:** **US D894,981 S**
Corona (45) **Date of Patent:** **** Sep. 1, 2020**

(54) **DRILL BIT**

(71) Applicant: **BLY IP INC.**, Salt Lake City, UT (US)

(72) Inventor: **Robert Corona**, Salt Lake City, UT (US)

(73) Assignee: **BLY IP INC.**, Salt Lake City, UT (US)

(**) Term: **15 Years**

(21) Appl. No.: **29/682,123**

(22) Filed: **Mar. 1, 2019**

(51) **LOC (12) Cl.** **15-03**

(52) **U.S. Cl.**
USPC **D15/139**

(58) **Field of Classification Search**
USPC D15/131, 138, 139, 140; D8/70
CPC B23C 5/207; B23C 5/06; B23C 2200/125;
B23C 5/202; B23C 2200/203; B23C
2200/208; B23C 2210/168; B23C 5/109;
B23C 2200/128; B23C 2200/205; B23C
2200/367; B23C 5/20; B23C 5/2221;
B23C 2200/286; B23C 2200/0461; B23C
2200/0494; B23C 2200/085; B23C
2200/165; B23C 2200/201; B23C
2210/045; B23C 5/10; B23C 2200/0411;
B23C 2200/0416; B23C 2200/0455;
B23C 2200/123; B23C 2200/0483; B23C
2210/0457; B23C 5/006; B23C 5/2247;
B23C 5/28; B23C 2200/0422; B23C
2200/0433; B23C 2200/0444; B23C
2200/045; B23C 2200/0477; B23C
2200/08; B23C 2200/086; B23C
2200/126; B23C 2200/164; B23C
2200/168; B23C 2200/28; B23C
2200/366; B23C 2210/16; B23C
2210/161; B23C 2220/16; B23C 2228/10;
B23C 2250/12; B23C 5/08; B23C 5/16;
B23C 5/205; B23C 5/2213; B23C 5/2273;
B23C 2200/0466; B23C 2200/12;

(Continued)

(56) **References Cited**

U.S. PATENT DOCUMENTS

D797,170 S * 9/2017 Sharivker D15/139
D814,536 S * 4/2018 Kawakami D15/139

(Continued)

OTHER PUBLICATIONS

U.S. Appl. No. 29/682,117, filed Mar. 1, 2019, Robert Corona.
U.S. Appl. No. 29/682,122, filed Mar. 1, 2019, Robert Corona.

Primary Examiner — Khawaja Anwar

(74) *Attorney, Agent, or Firm* — Ballard Spahr LLP

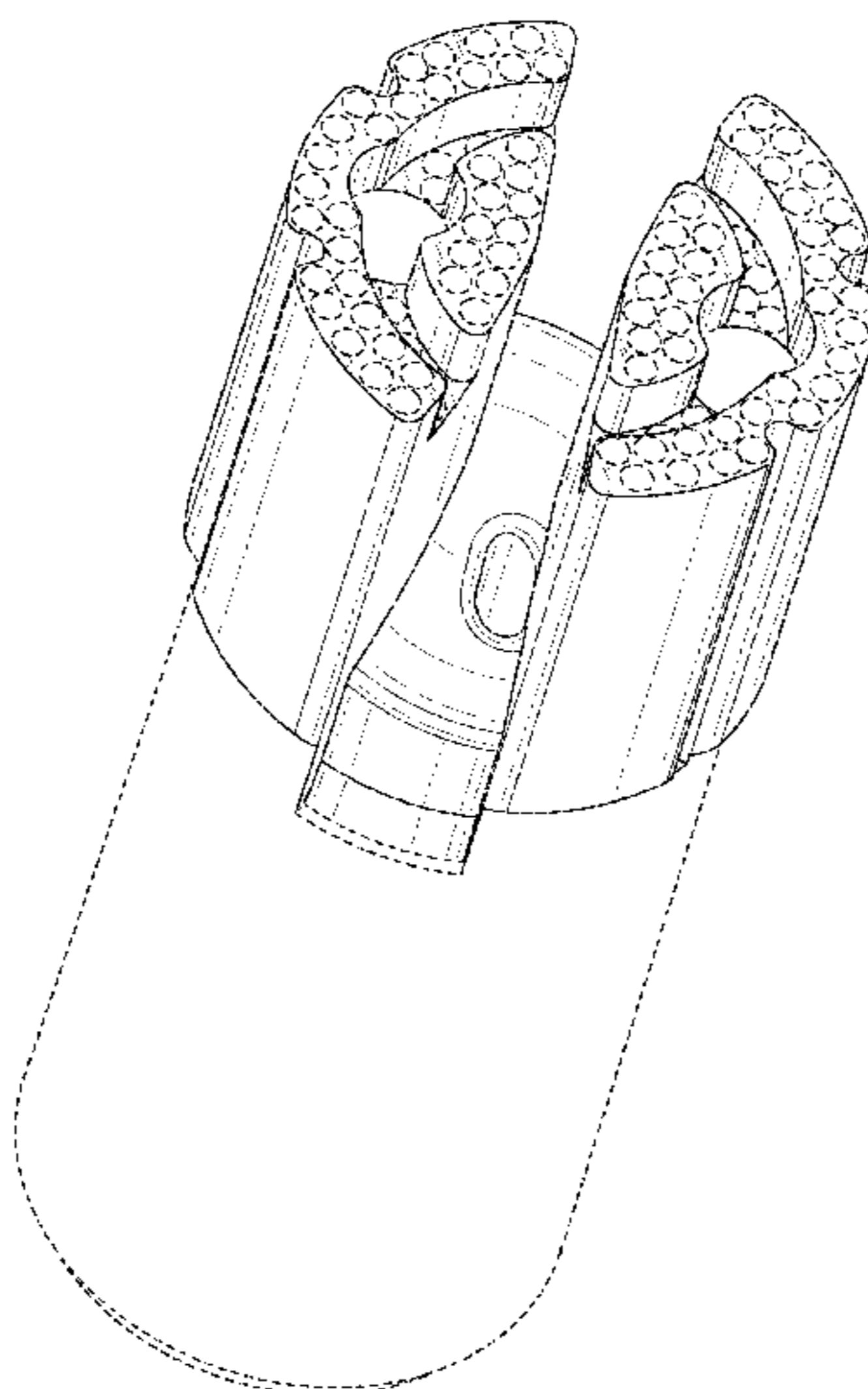
(57) **CLAIM**

The ornamental design for a drill bit, as shown and described.

DESCRIPTION

FIG. 1 is a front perspective view of a drill bit showing my new design;
FIG. 2 is a front elevational view of the drill bit of FIG. 1;
FIG. 3 is a rear elevational view of the drill bit of FIG. 1;
FIG. 4 is a left side plan view of the drill bit of FIG. 1;
FIG. 5 is a right side plan view of the drill bit of FIG. 1;
FIG. 6 is a top plan view of the drill bit of FIG. 1; and
FIG. 7 is a cross-sectional view of the drill bit of FIG. 1, taken along section line 7-7 as shown in FIG. 6;
FIG. 8 is a cross-sectional view of the drill bit of FIG. 1, taken along section line 8-8 as shown in FIG. 6; and,
FIG. 9 is a bottom plan view of the drill bit of FIG. 1.
The broken lines having consistent dash lengths (dash-dash-dash) are shown on the drill bit in FIGS. 1-9 for illustrative purposes only and form no part of the claimed design.
The broken lines having variable dash lengths (long dash-short dash-long dash) shown on the drill bit in FIGS. 7-8 are boundary lines representing a boundary of the claimed design.

1 Claim, 9 Drawing Sheets



(58) **Field of Classification Search**

CPC B23C 2200/16; B23C 2200/161; B23C
2200/167; B23C 2200/206; B23C
2200/243; B23C 2200/246; B23C
2200/283; B23C 2200/326; B23C
2200/361; B23C 2200/368; B23C
2210/02; B23C 2210/03; B23C
2210/0414; B23C 2210/0428; B23C
2210/163; B23C 2210/202; B23C
2210/244; B23C 2210/28; B23C 2210/66;
B23C 2220/44; B23C 2220/56; B23C
2220/60; B23C 2222/28; B23C 2222/32;
B23C 2224/04; B23C 2224/28; B23C
2224/36; B23C 2226/125; B23C 2226/18;
B23C 2228/04; B23C 2240/24; B23C
2240/245; B23C 2240/32; B23C 2250/04;
B23C 2260/28; B23C 2265/08; B23C
3/12; B23C 5/003; B23C 5/1027; B23C
5/1045; B23C 5/18; B23C 5/22; B23C

5/2204; B23C 5/2208; B23C 5/2239;
B23C 5/2269; B23C 5/2406; B23C 5/241;
B23C 5/242; B23C 5/2462; B23C 5/2472
See application file for complete search history.

(56)

References Cited

U.S. PATENT DOCUMENTS

D815,672	S	*	4/2018	Shikama	D15/139
D823,908	S	*	7/2018	Osterholm	D15/139
D828,415	S	*	9/2018	Ota	D15/139
D828,416	S	*	9/2018	Ota	D15/139
10,077,609	B2		9/2018	Pearce et al.	
D831,714	S	*	10/2018	Osterholm	D15/139
D857,772	S	*	8/2019	van den Boogaart	D15/139
D861,051	S	*	9/2019	Koskinen	D15/139
D870,168	S	*	12/2019	Koskinen	D15/139
D872,142	S	*	1/2020	Lyon	D15/139
2017/0362900	A1		12/2017	Pearce et al.	

* cited by examiner

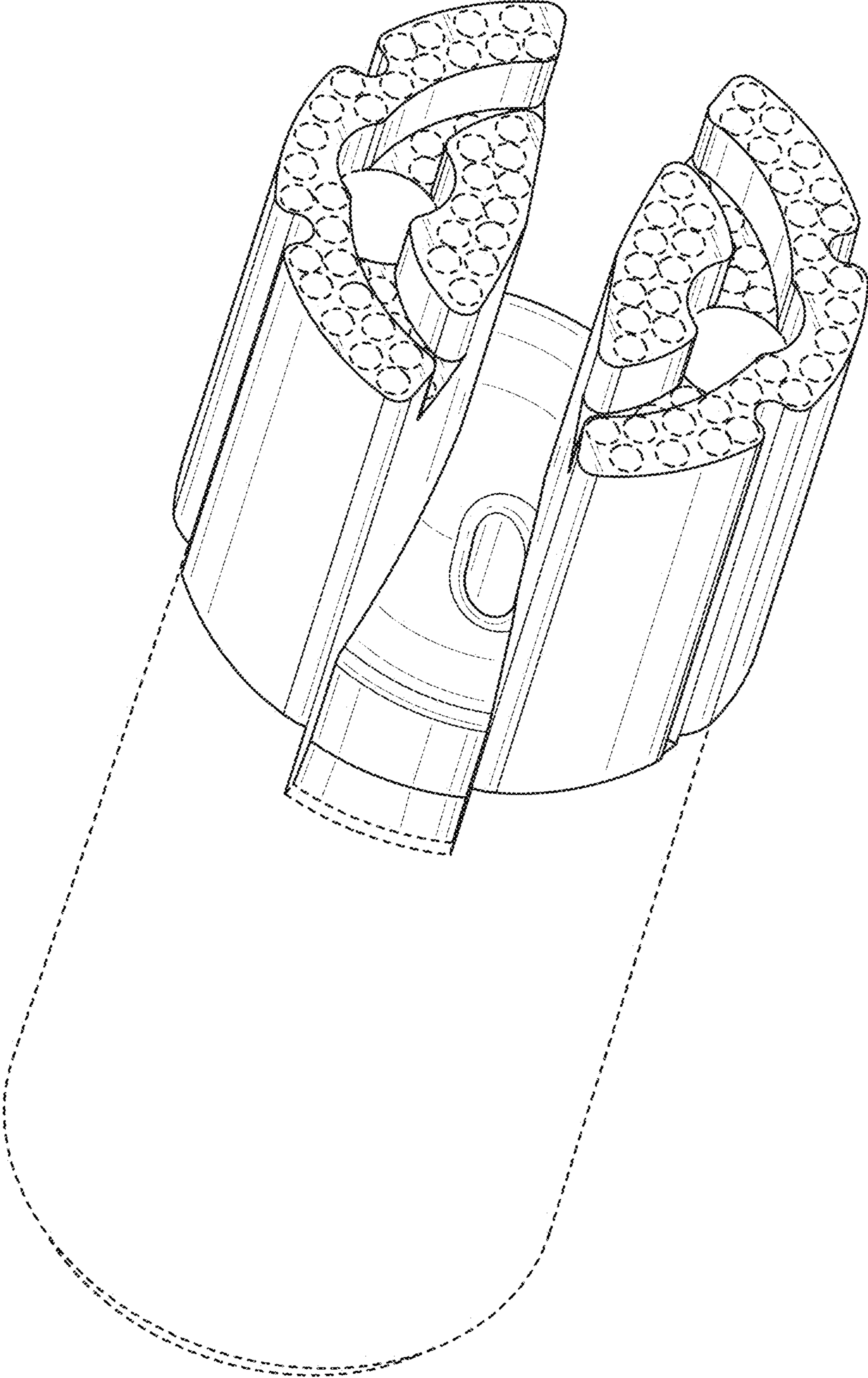


FIG. 1

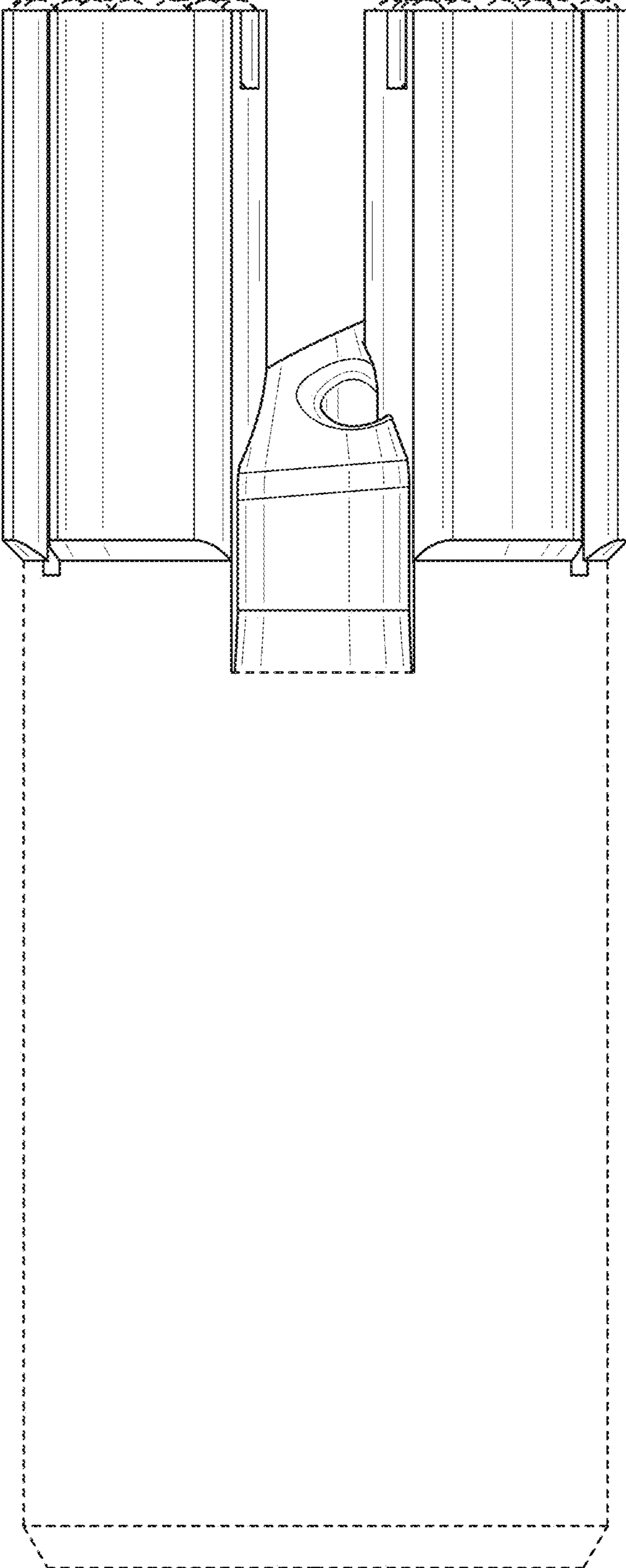


FIG. 2

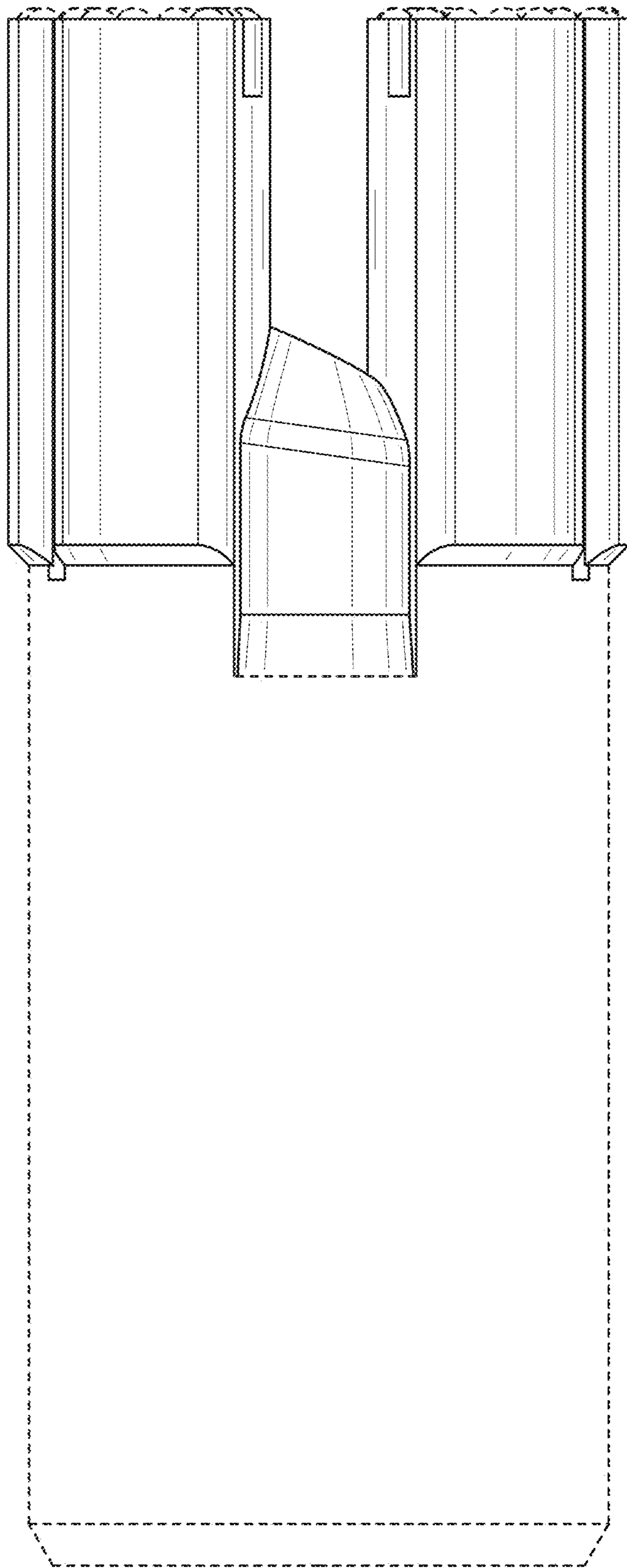


FIG. 3

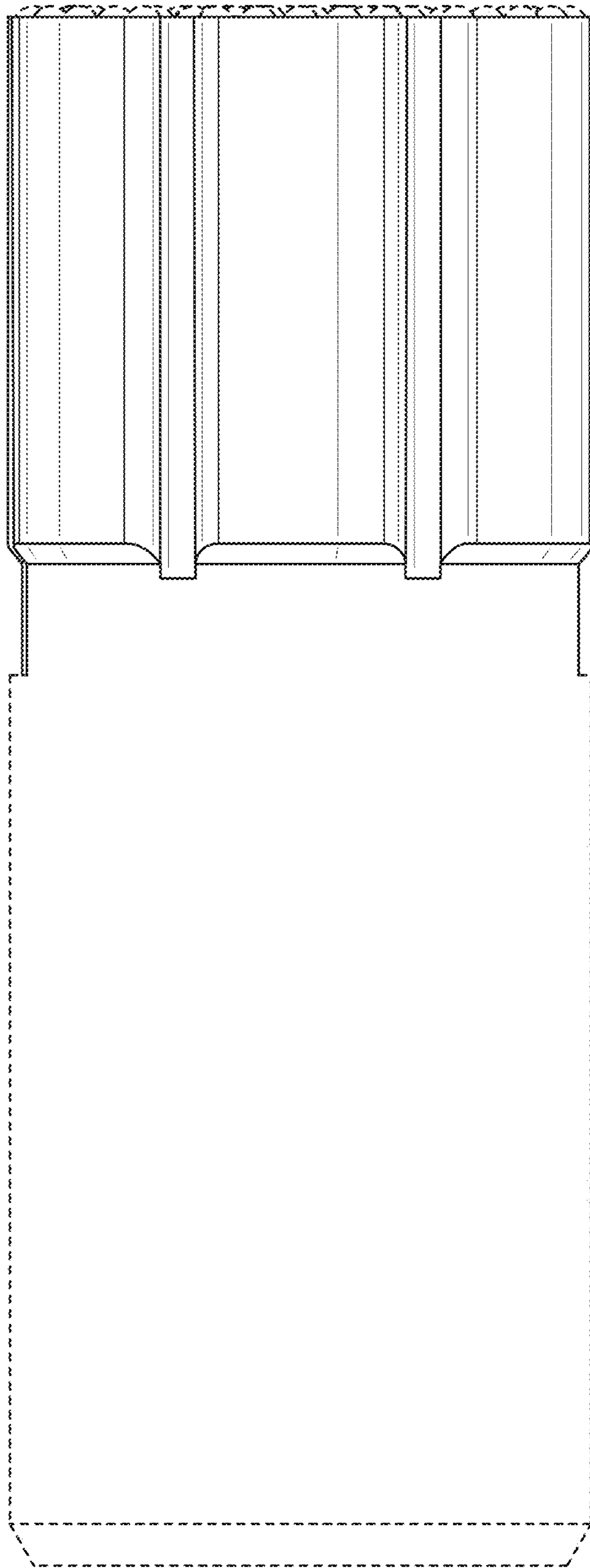


FIG. 4

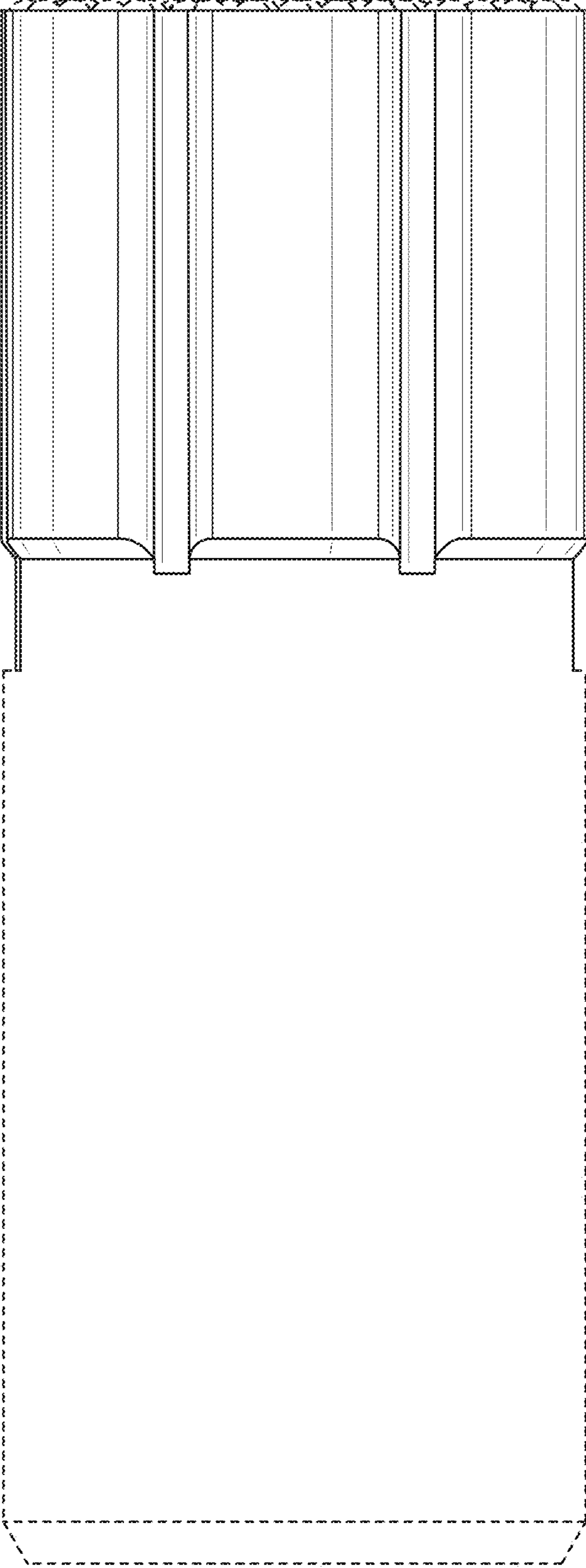


FIG. 5

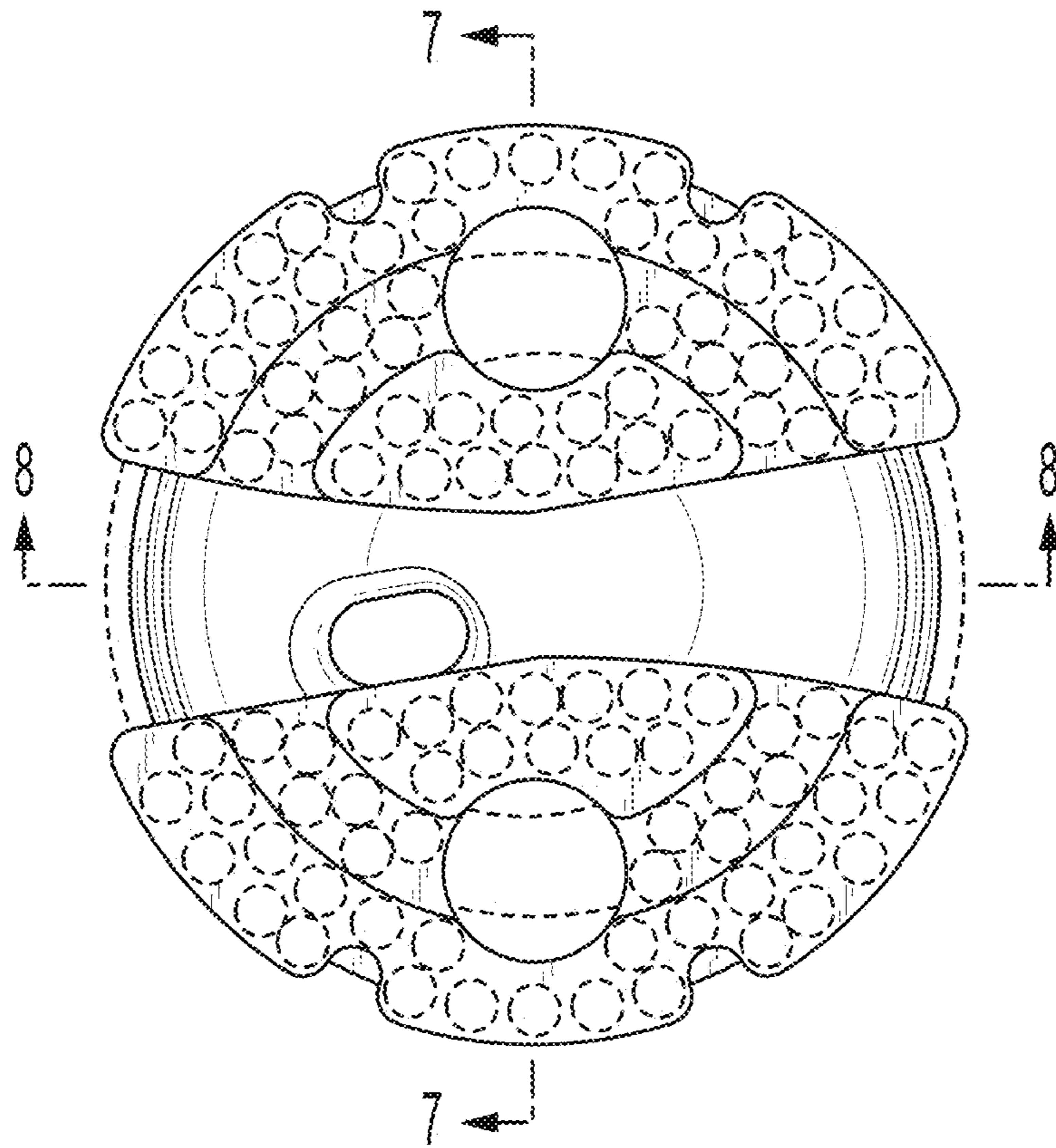


FIG. 6

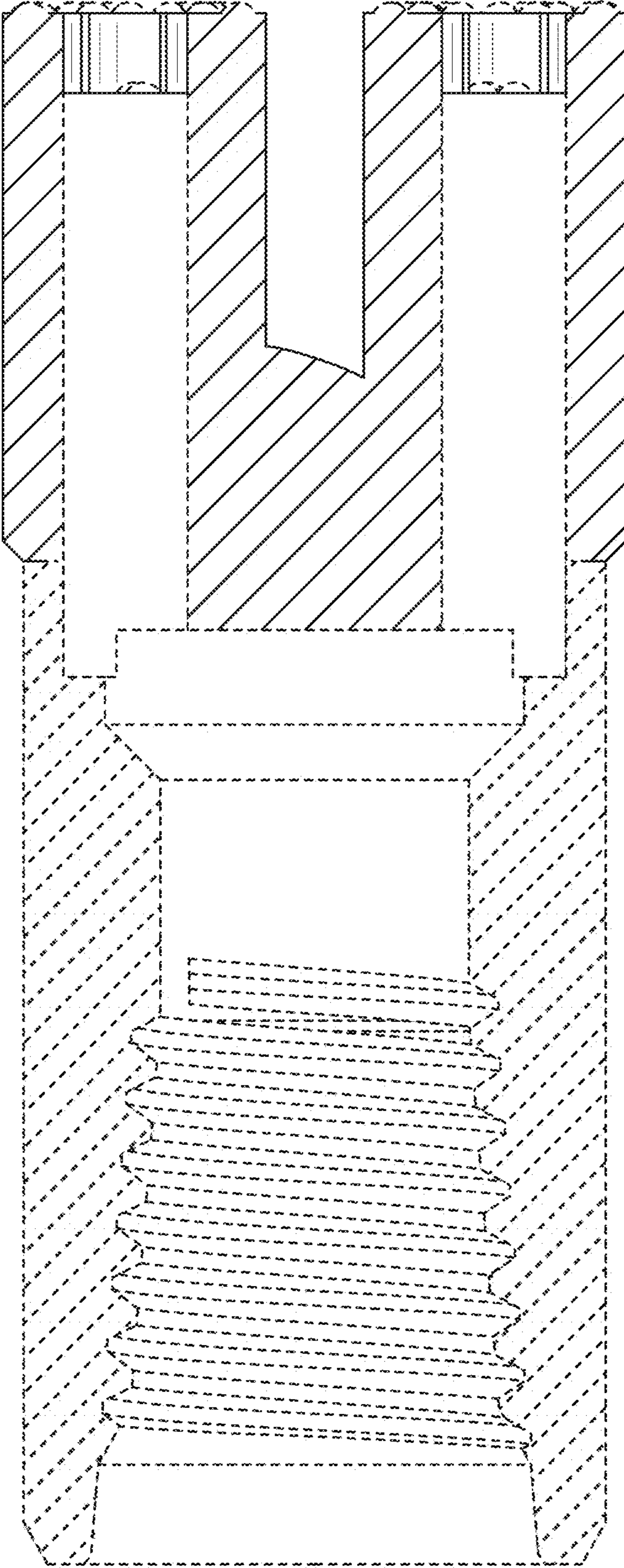


FIG. 7

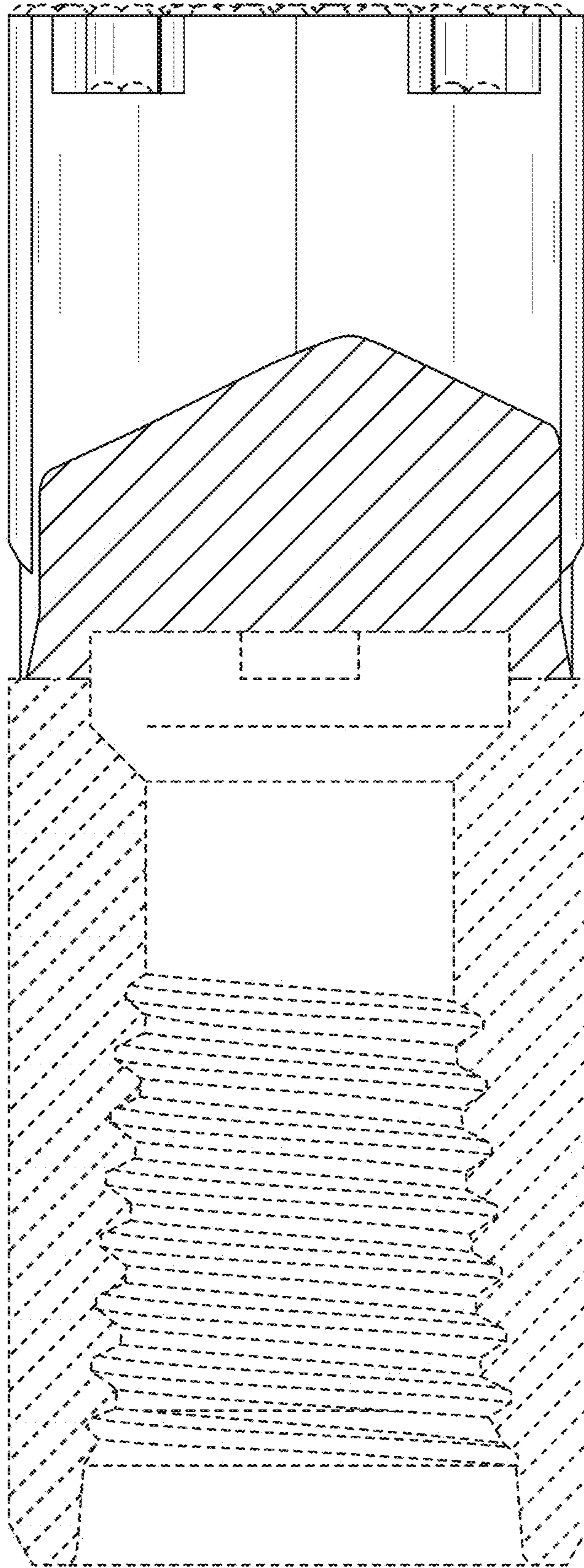


FIG. 8

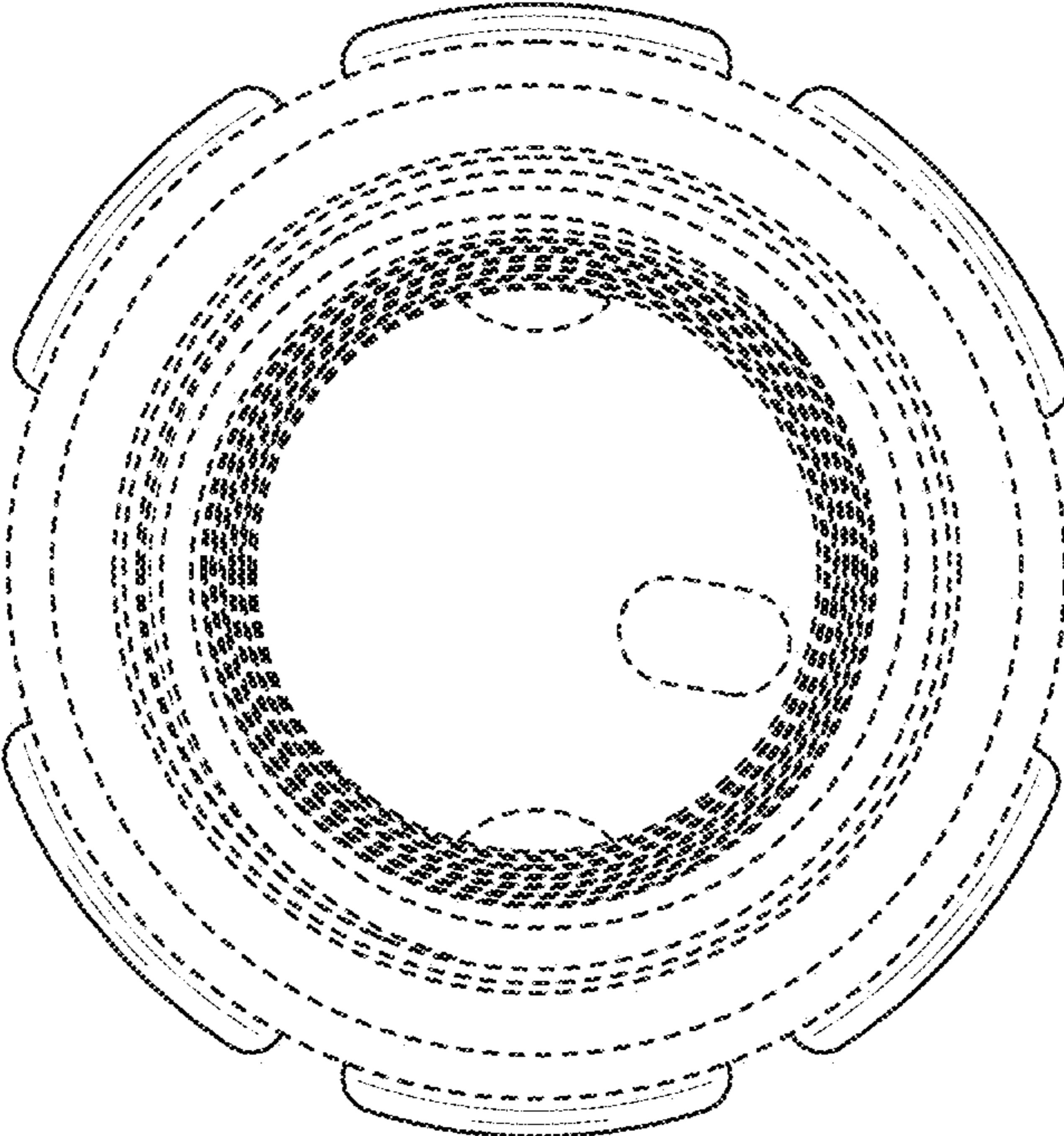


FIG. 9