



US00D894980S

(12) **United States Design Patent** (10) **Patent No.:** **US D894,980 S**  
**Corona** (45) **Date of Patent:** **\*\* Sep. 1, 2020**

(54) **DRILL BIT**

(71) Applicant: **BLY IP INC.**, Salt Lake City, UT (US)

(72) Inventor: **Robert Corona**, Salt Lake City, UT (US)

(73) Assignee: **BLY IP INC.**, Salt Lake City, UT (US)

(\*\*) Term: **15 Years**

(21) Appl. No.: **29/682,122**

(22) Filed: **Mar. 1, 2019**

(51) **LOC (12) Cl.** ..... **15-03**

(52) **U.S. Cl.**  
USPC ..... **D15/139**

(58) **Field of Classification Search**  
USPC ..... D15/131, 138, 139, 140; D8/70  
CPC ..... B23C 5/207; B23C 5/06; B23C 2200/125;  
B23C 5/202; B23C 2200/203; B23C 2200/208; B23C 2210/168; B23C 5/109;  
B23C 2200/128; B23C 2200/205; B23C 2200/367; B23C 5/20; B23C 5/2221;  
B23C 2200/286; B23C 2200/0461; B23C 2200/0494; B23C 2200/085; B23C 2200/165; B23C 2200/201; B23C 2210/045; B23C 5/10; B23C 2200/0411; B23C 2200/0416; B23C 2200/0455; B23C 2200/123; B23C 2210/0457; B23C 5/006; B23C 5/2247; B23C 5/28; B23C 2200/0422; B23C 2200/0433; B23C 2200/0444; B23C 2200/045; B23C 2200/0477; B23C 2200/0483; B23C 2200/08; B23C 2200/086; B23C 2200/126; B23C 2200/164; B23C 2200/168; B23C 2200/28; B23C 2200/366; B23C 2210/16; B23C 2210/161; B23C 2220/16; B23C 2228/10; B23C 2250/12; B23C 5/08; B23C 5/16; B23C 5/205; B23C 5/2213; B23C 5/2273; B23C 2200/0466; B23C 2200/12;

(Continued)

(56) **References Cited**

U.S. PATENT DOCUMENTS

D797,170 S \* 9/2017 Sharivker ..... D15/139  
D814,536 S \* 4/2018 Kawakami ..... D15/139

(Continued)

OTHER PUBLICATIONS

U.S. Appl. No. 29/682,117, filed Mar. 1, 2019, Robert Corona.  
U.S. Appl. No. 29/682,123, filed Mar. 1, 2019, Robert Corona.

*Primary Examiner* — Khawaja Anwar

(74) *Attorney, Agent, or Firm* — Ballard Spahr LLP

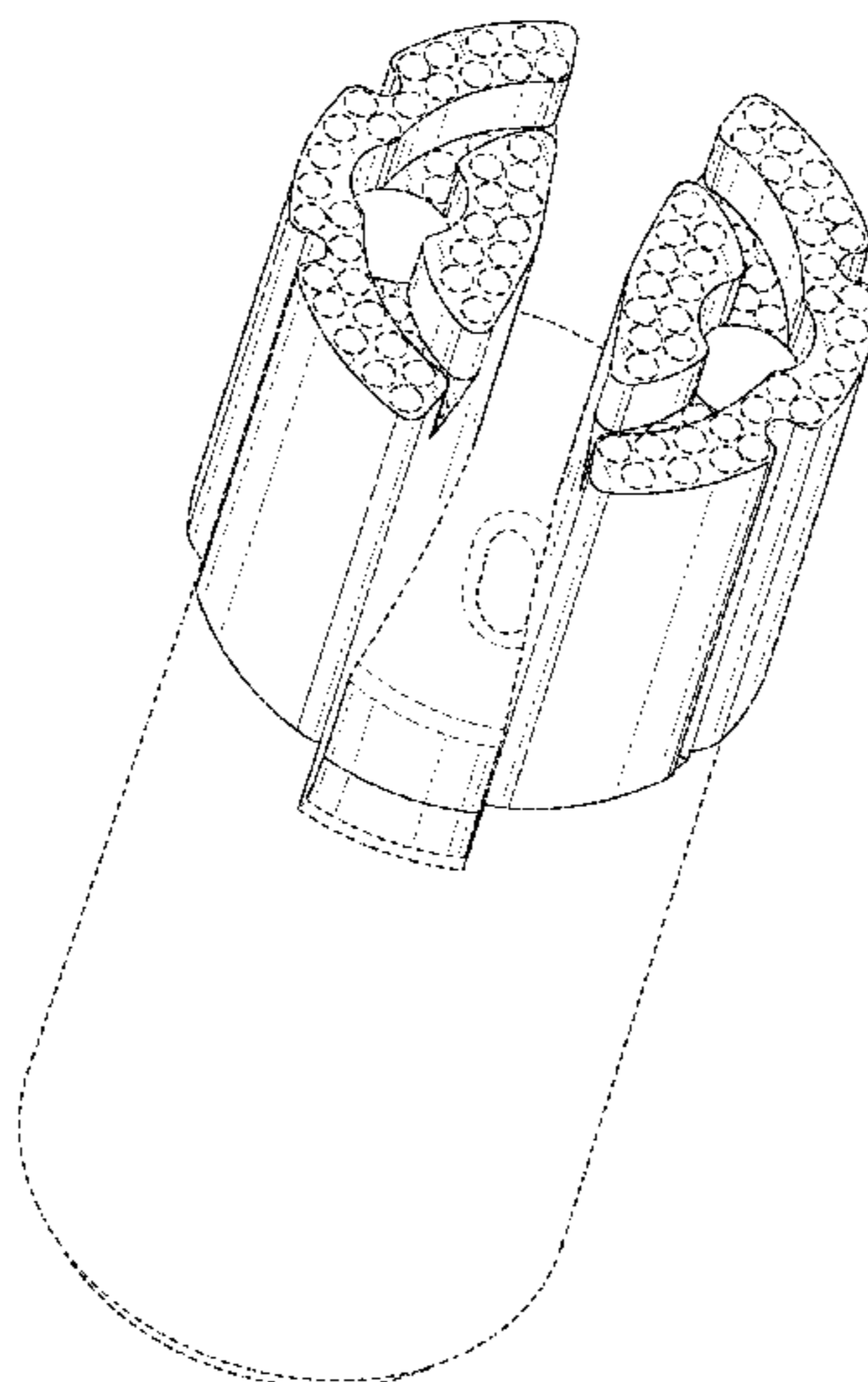
(57) **CLAIM**

The ornamental design for a drill bit, as shown and described.

**DESCRIPTION**

FIG. 1 is a front perspective view of a drill bit showing my new design;  
FIG. 2 is a front elevational view of the drill bit of FIG. 1;  
FIG. 3 is a rear elevational view of the drill bit of FIG. 1;  
FIG. 4 is a left side plan view of the drill bit of FIG. 1;  
FIG. 5 is a right side plan view of the drill bit of FIG. 1;  
FIG. 6 is a top plan view of the drill bit of FIG. 1; and  
FIG. 7 is a cross-sectional view of the drill bit of FIG. 1, taken along section line 7-7 as shown in FIG. 6;  
FIG. 8 is a cross-sectional view of the drill bit of FIG. 1, taken along section line 8-8 as shown in FIG. 6; and,  
FIG. 9 is a bottom plan view of the drill bit of FIG. 1.  
The broken lines having consistent dash lengths (dash-dash-dash) are shown on the drill bit in FIGS. 1-9 for illustrative purposes only and form no part of the claimed design.  
The broken lines having variable dash lengths (long dash-short dash-long dash) shown on the drill bit in FIG. 7 is a boundary line representing a boundary of the claimed design.

**1 Claim, 9 Drawing Sheets**



(58) **Field of Classification Search**

CPC ..... B23C 2200/16; B23C 2200/161; B23C 2200/167; B23C 2200/206; B23C 2200/243; B23C 2200/246; B23C 2200/283; B23C 2200/326; B23C 2200/361; B23C 2200/368; B23C 2210/02; B23C 2210/03; B23C 2210/0414; B23C 2210/0428; B23C 2210/163; B23C 2210/202; B23C 2210/244; B23C 2210/28; B23C 2210/66; B23C 2220/44; B23C 2220/56; B23C 2220/60; B23C 2222/28; B23C 2222/32; B23C 2224/04; B23C 2224/28; B23C 2224/36; B23C 2226/125; B23C 2226/18; B23C 2228/04; B23C 2240/24; B23C 2240/245; B23C 2240/32; B23C 2250/04; B23C 2260/28; B23C 2265/08; B23C 3/12; B23C 5/003; B23C 5/1027; B23C 5/1045; B23C 5/18; B23C 5/22; B23C

5/2204; B23C 5/2208; B23C 5/2239; B23C 5/2269; B23C 5/2406; B23C 5/241; B23C 5/242; B23C 5/2462; B23C 5/2472  
See application file for complete search history.

(56)

**References Cited**

U.S. PATENT DOCUMENTS

D815,672	S	*	4/2018	Shikama .....	D15/139
D823,908	S	*	7/2018	Osterholm .....	D15/139
D828,415	S	*	9/2018	Ota .....	D15/139
D828,416	S	*	9/2018	Ota .....	D15/139
10,077,609	B2		9/2018	Pearce et al.	
D831,714	S	*	10/2018	Osterholm .....	D15/139
D857,772	S	*	8/2019	van den Boogaart .....	D15/139
D861,051	S	*	9/2019	Koskinen .....	D15/139
D870,168	S	*	12/2019	Koskinen .....	D15/139
D872,142	S	*	1/2020	Lyon .....	D15/139
2017/0362900	A1		12/2017	Pearce et al.	

\* cited by examiner

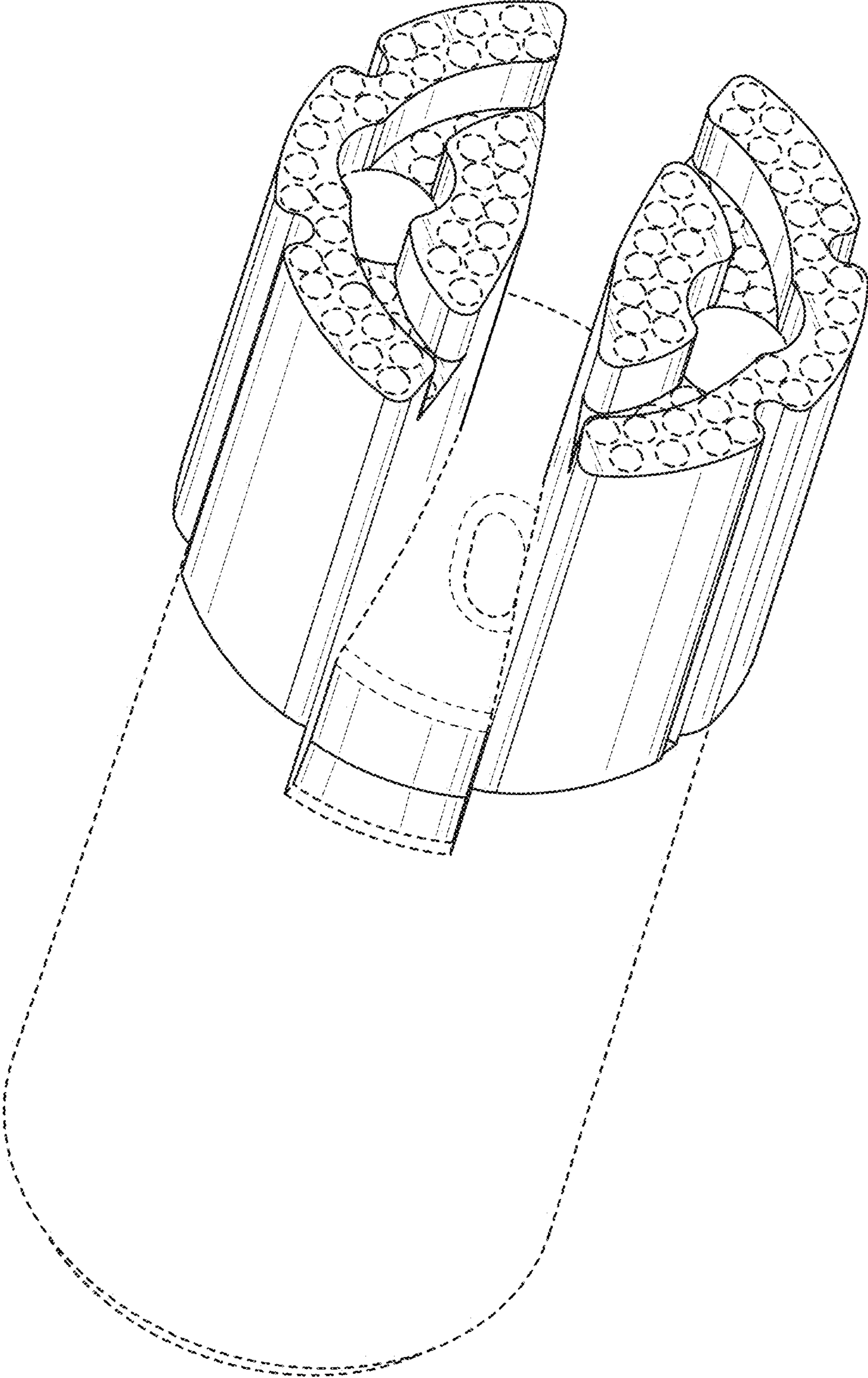


FIG. 1

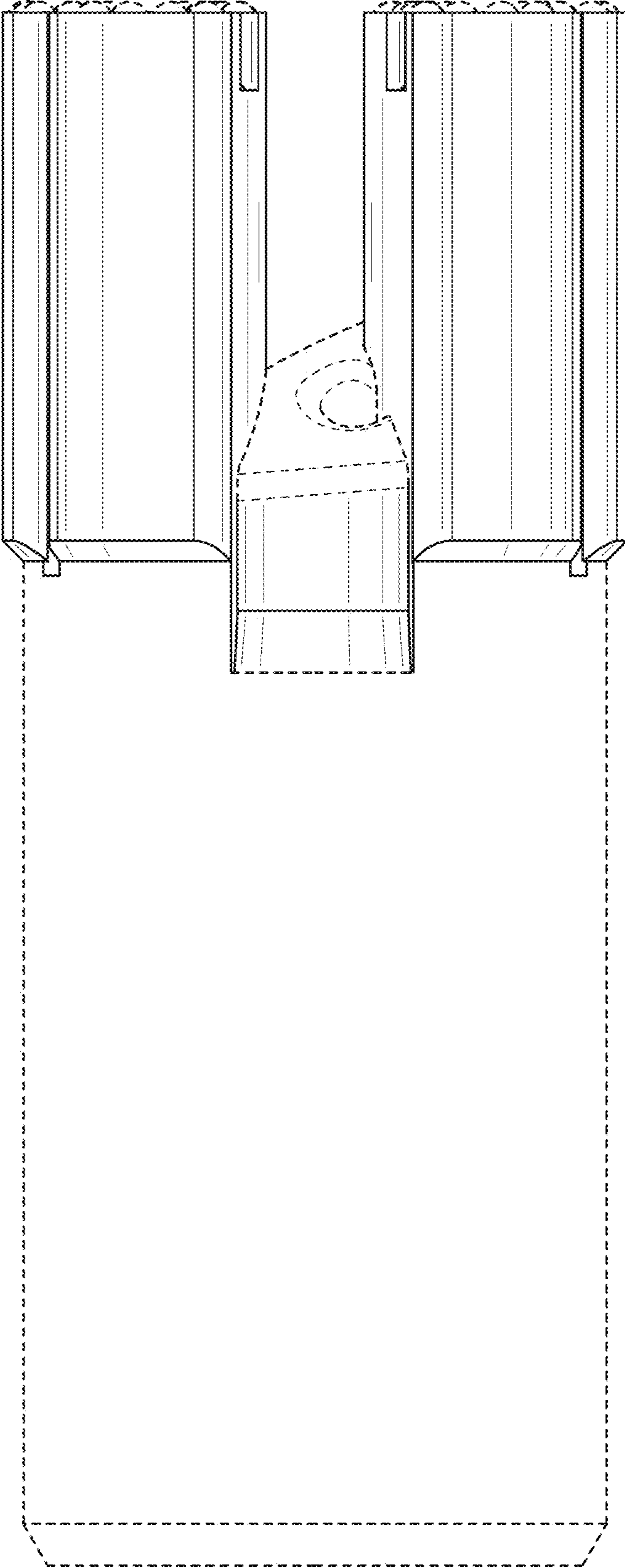


FIG. 2

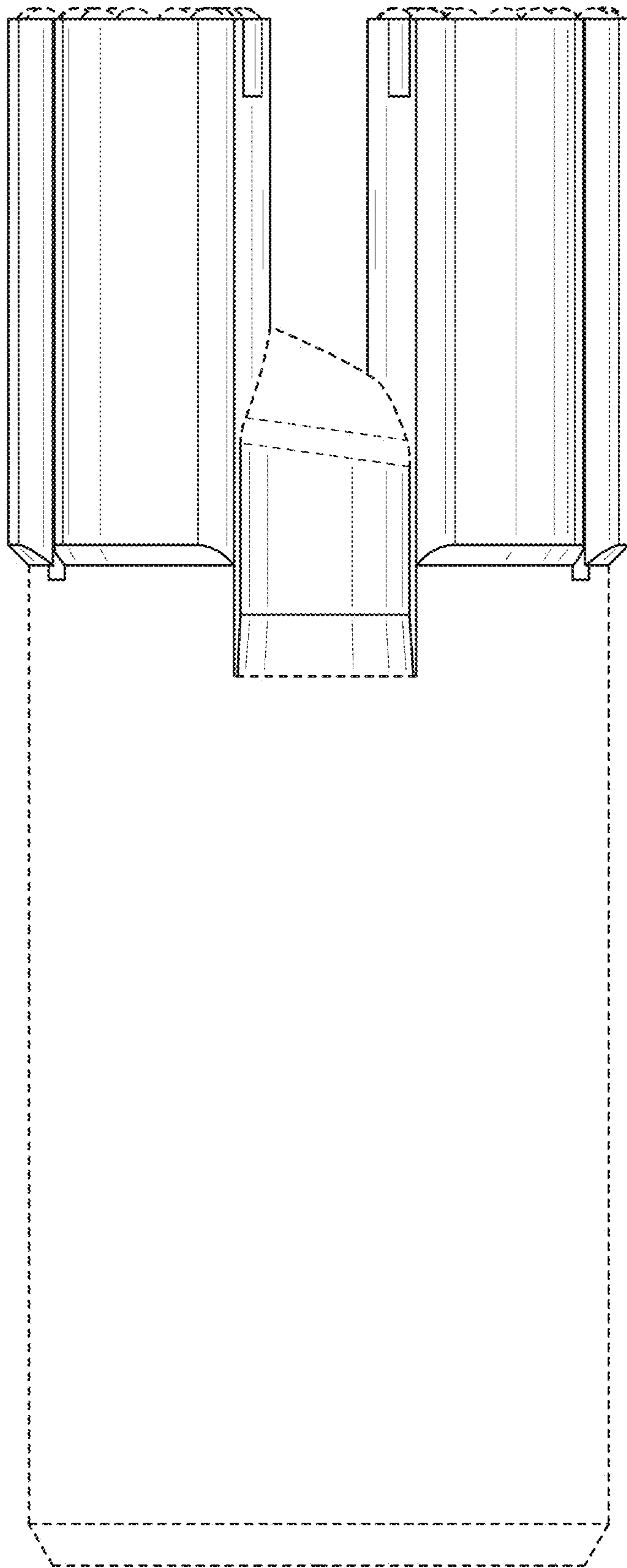


FIG. 3

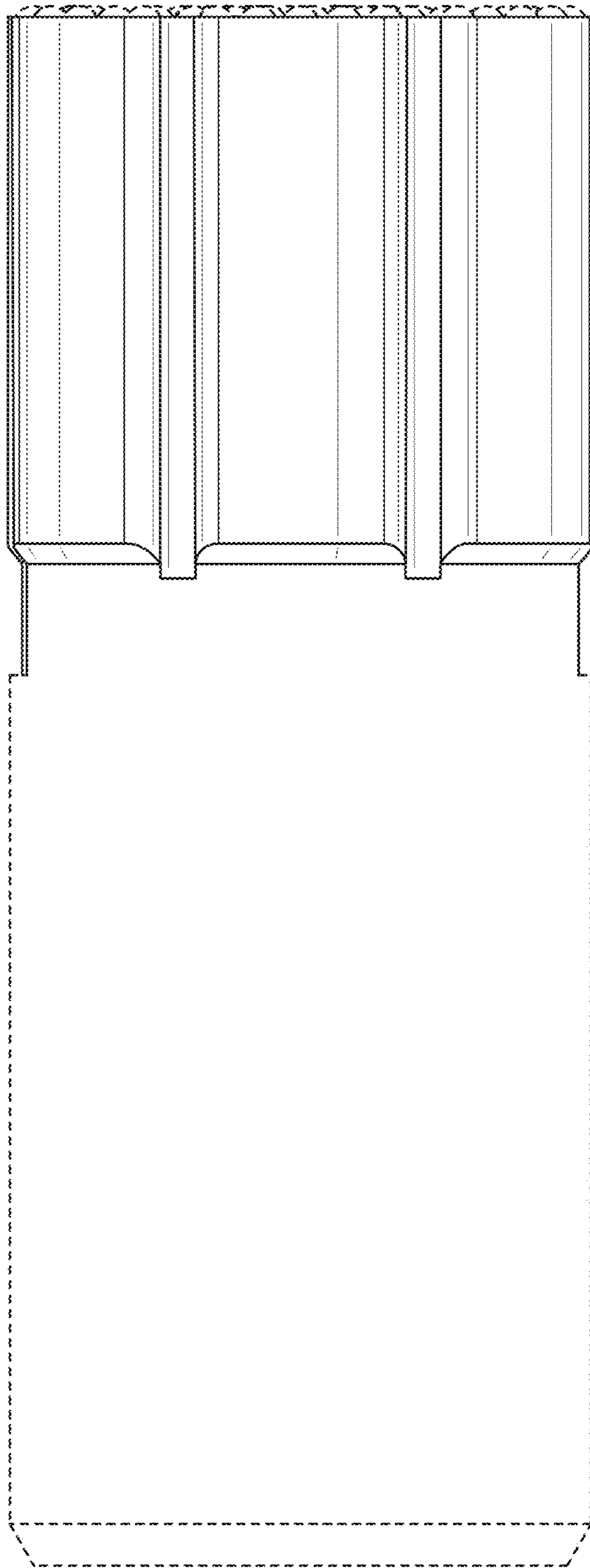


FIG. 4

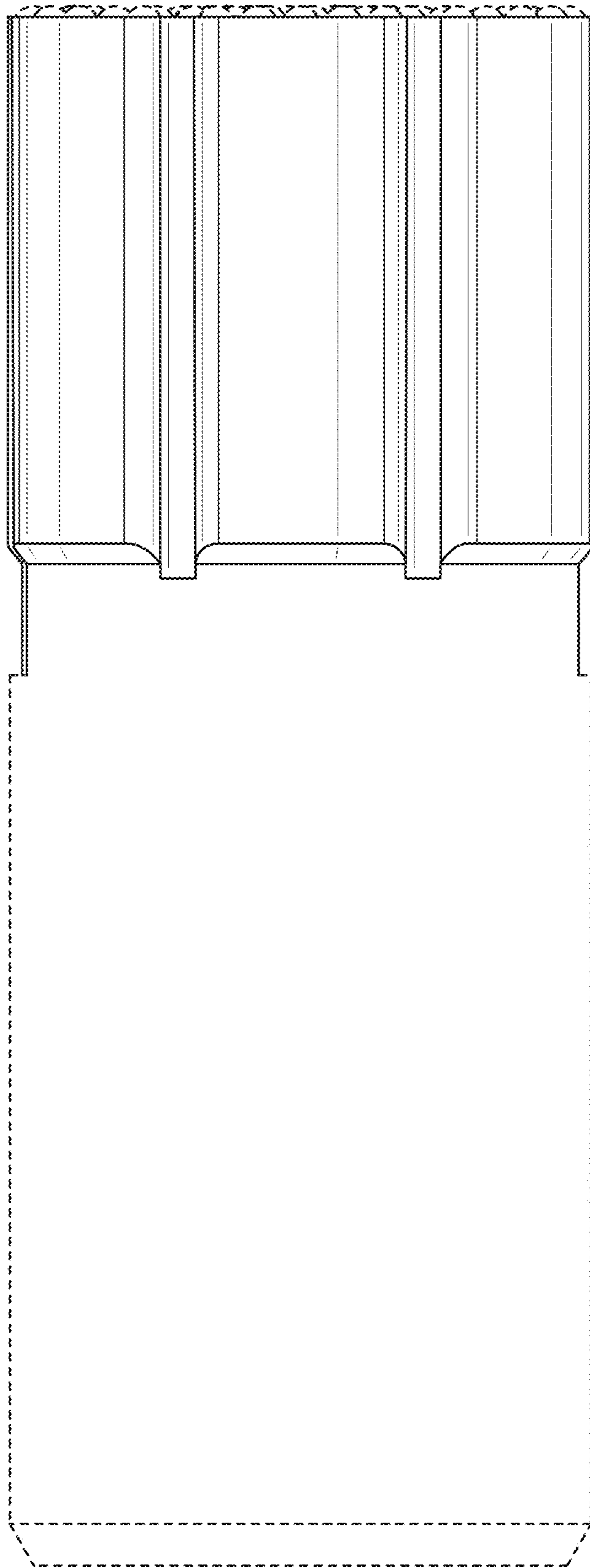


FIG. 5

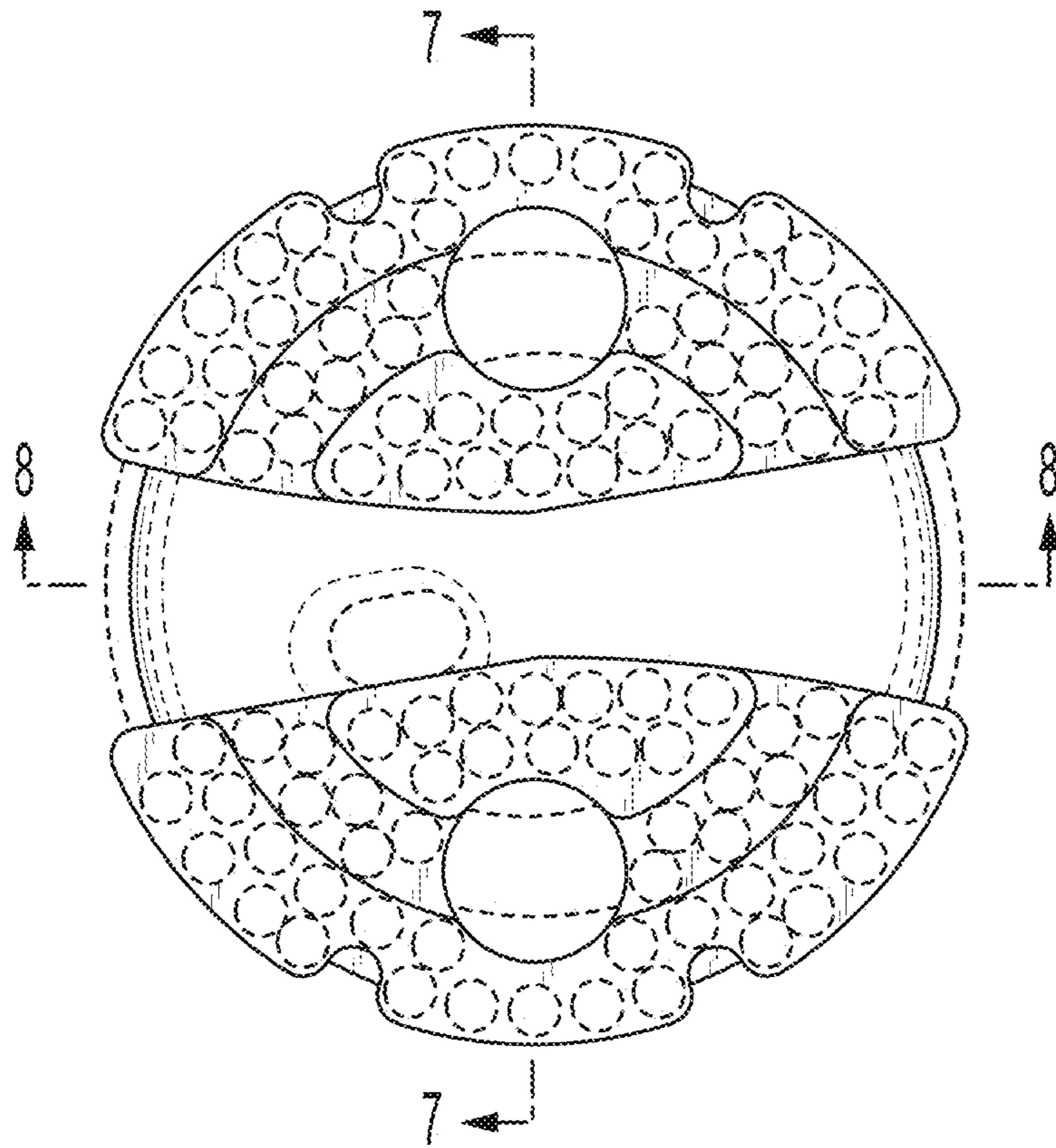


FIG. 6



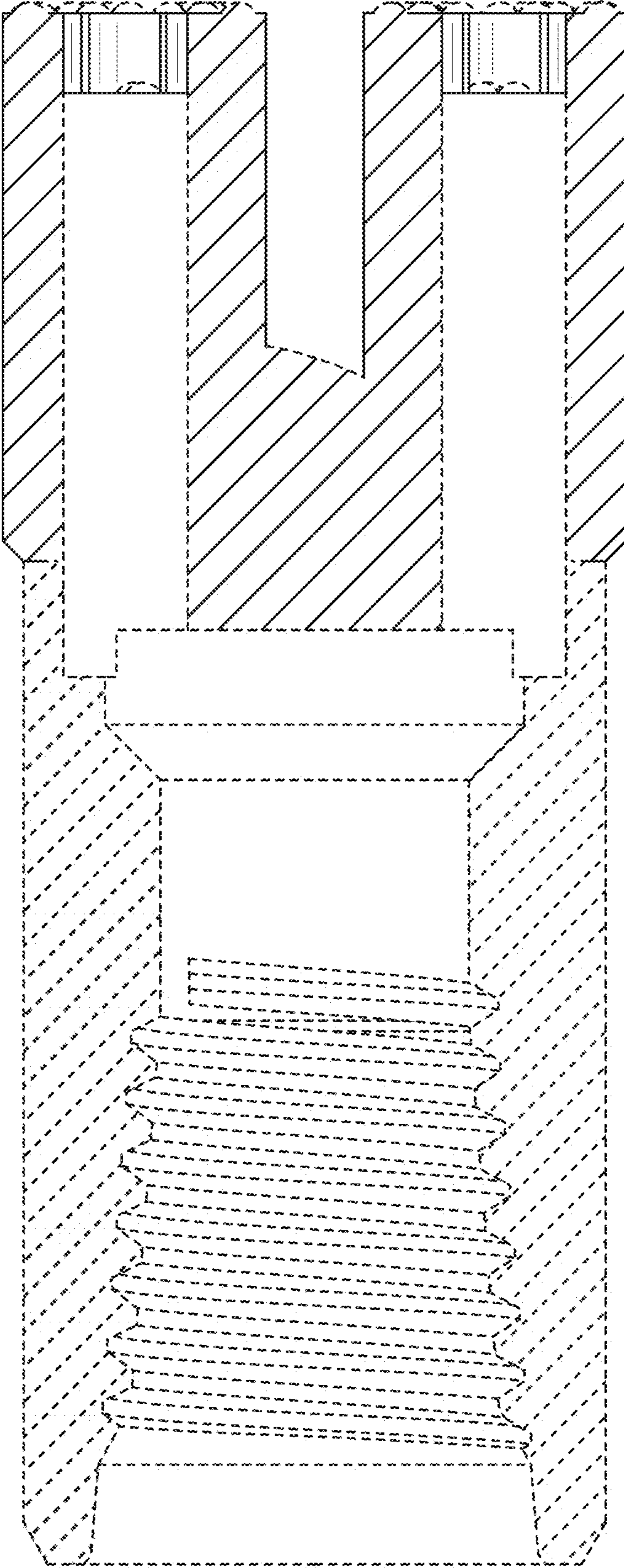


FIG. 7

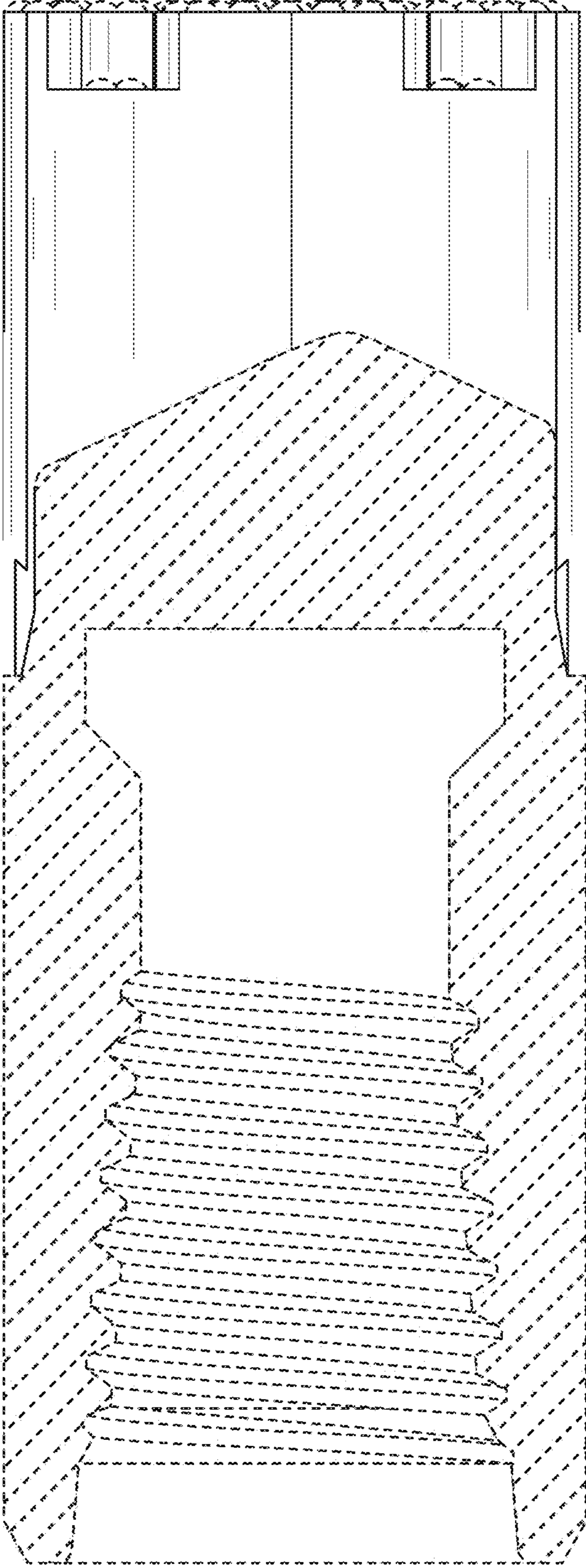


FIG. 8

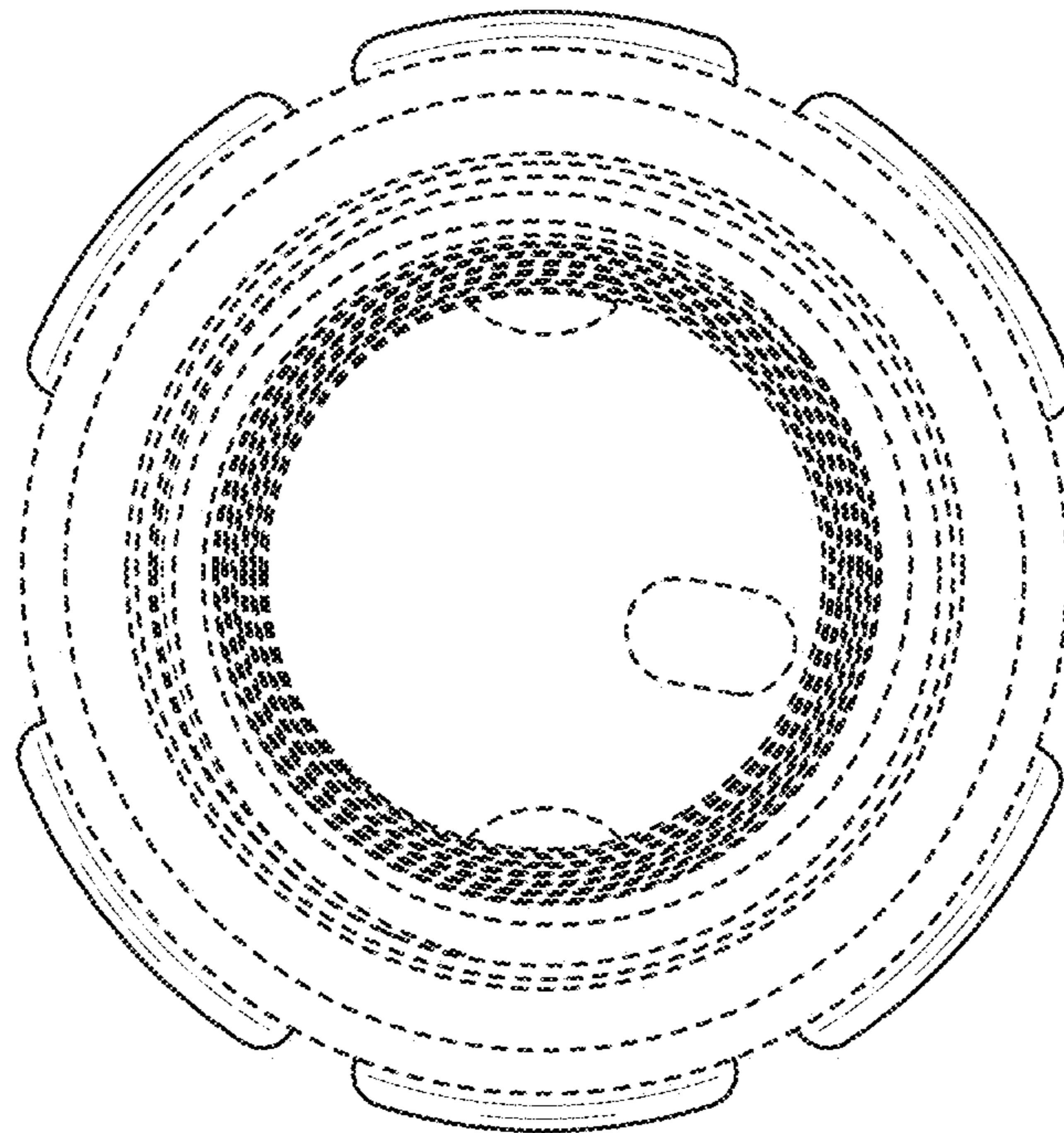


FIG. 9