



US00D894977S

(12) **United States Design Patent**  
**Cesar Brito et al.**

(10) **Patent No.:** **US D894,977 S**

(45) **Date of Patent:** **\*\* Sep. 1, 2020**

(54) **3D PRINTER**

(71) Applicant: **Hewlett-Packard Development Company, L.P.**, Houston, TX (US)

(72) Inventors: **Javier Alfonso Cesar Brito**, Barcelona (ES); **Andreu Oliver Gonzalez**, Barcelona (ES); **Marti Cot Ponti**, Barcelona (ES)

(73) Assignee: **Hewlett-Packard Development, L.P.**, Spring, TX (US)

(\*\*) Term: **15 Years**

(21) Appl. No.: **29/670,594**

(22) Filed: **Nov. 16, 2018**

(51) **LOC (12) Cl.** ..... **15-09**

(52) **U.S. Cl.**  
USPC ..... **D15/122; D15/135; D18/50; D18/53**

(58) **Field of Classification Search**  
USPC ..... D15/122, 135-138, 141, 66, 73, 76-78; D18/53, 59, 50, 14, 19, 54-57, 36-45, D18/34.4, 34.5, 34.6, 18, 51; D14/301-303, 307, 345; D6/691.4, 675, D6/708; D13/107, 108  
CPC ..... B41J 2/14; B41J 1/54; B41J 3/4073; B41J 3/4078; B41F 17/22; B41F 17/003; B41F 17/38; B28B 1/001; G03G 15/08; G03G 15/0891; G03G 15/0875; G03G 2215/0827; G03G 2215/0855; G03G 21/1842

See application file for complete search history.

(56) **References Cited**

**U.S. PATENT DOCUMENTS**

D329,056 S \* 9/1992 Mizukami ..... D18/38  
D330,909 S \* 11/1992 Nishida ..... D18/3.3  
D331,772 S \* 12/1992 Suzuki ..... D18/38

D336,479 S \* 6/1993 Shinagawa ..... D15/135  
D439,271 S \* 3/2001 Takimura ..... D18/39  
D494,988 S \* 8/2004 Tanaka ..... D15/122  
D577,060 S \* 9/2008 Isogai ..... D18/41  
D616,925 S \* 6/2010 Kim ..... D18/34.5  
D616,926 S \* 6/2010 Holderfield ..... D18/34.5  
D677,723 S \* 3/2013 Buel ..... D18/59  
D693,859 S \* 11/2013 Kitamura ..... D15/122  
D696,315 S \* 12/2013 Schmid ..... D15/122  
D726,789 S \* 4/2015 Schmid ..... D15/122  
D780,841 S \* 3/2017 Kim ..... D18/55  
D799,568 S \* 10/2017 Cesar ..... D15/122  
D799,569 S \* 10/2017 Cesar ..... D15/122  
D822,724 S \* 7/2018 Hanschen ..... D15/122  
D845,385 S \* 4/2019 Cesar ..... D18/53  
D865,010 S \* 10/2019 Wakao ..... D15/122  
D872,140 S \* 1/2020 Palmeter ..... D15/122  
D873,873 S \* 1/2020 Sollberger ..... D15/122  
D877,240 S \* 3/2020 Cesar ..... D18/53

(Continued)

*Primary Examiner* — T Chase Nelson

*Assistant Examiner* — Mary Claire Ramirez

(74) *Attorney, Agent, or Firm* — HP Inc. Patent Department

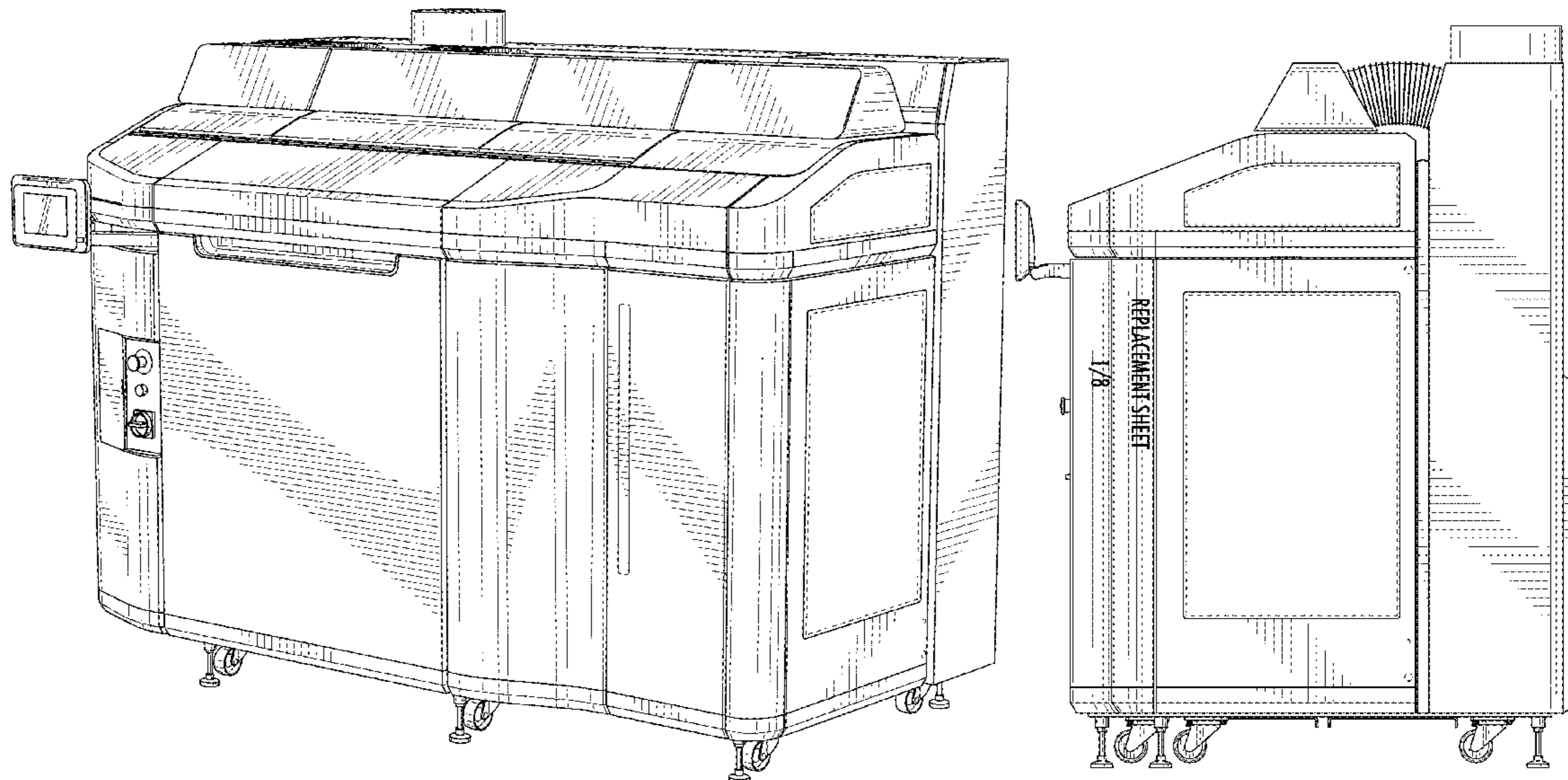
(57) **CLAIM**

We claim the ornamental design for a 3D printer, as shown and described.

**DESCRIPTION**

FIG. 1 is a front right perspective view of a 3D printer showing the new design;  
FIG. 2 is front left perspective view thereof;  
FIG. 3 is a front view thereof;  
FIG. 4 is a rear view thereof;  
FIG. 5 is a top view thereof;  
FIG. 6 is a bottom view thereof;  
FIG. 7 is a right side view thereof; and,  
FIG. 8 is a left side view thereof.  
The broken lines shown in the drawings depict portions of the 3D printer that form no part of the claimed design.

**1 Claim, 8 Drawing Sheets**



(56)

**References Cited**

U.S. PATENT DOCUMENTS

2019/0054697 A1\* 2/2019 Alonso ..... B29C 64/357  
2019/0134906 A1\* 5/2019 Ferris ..... B33Y 10/00

\* cited by examiner

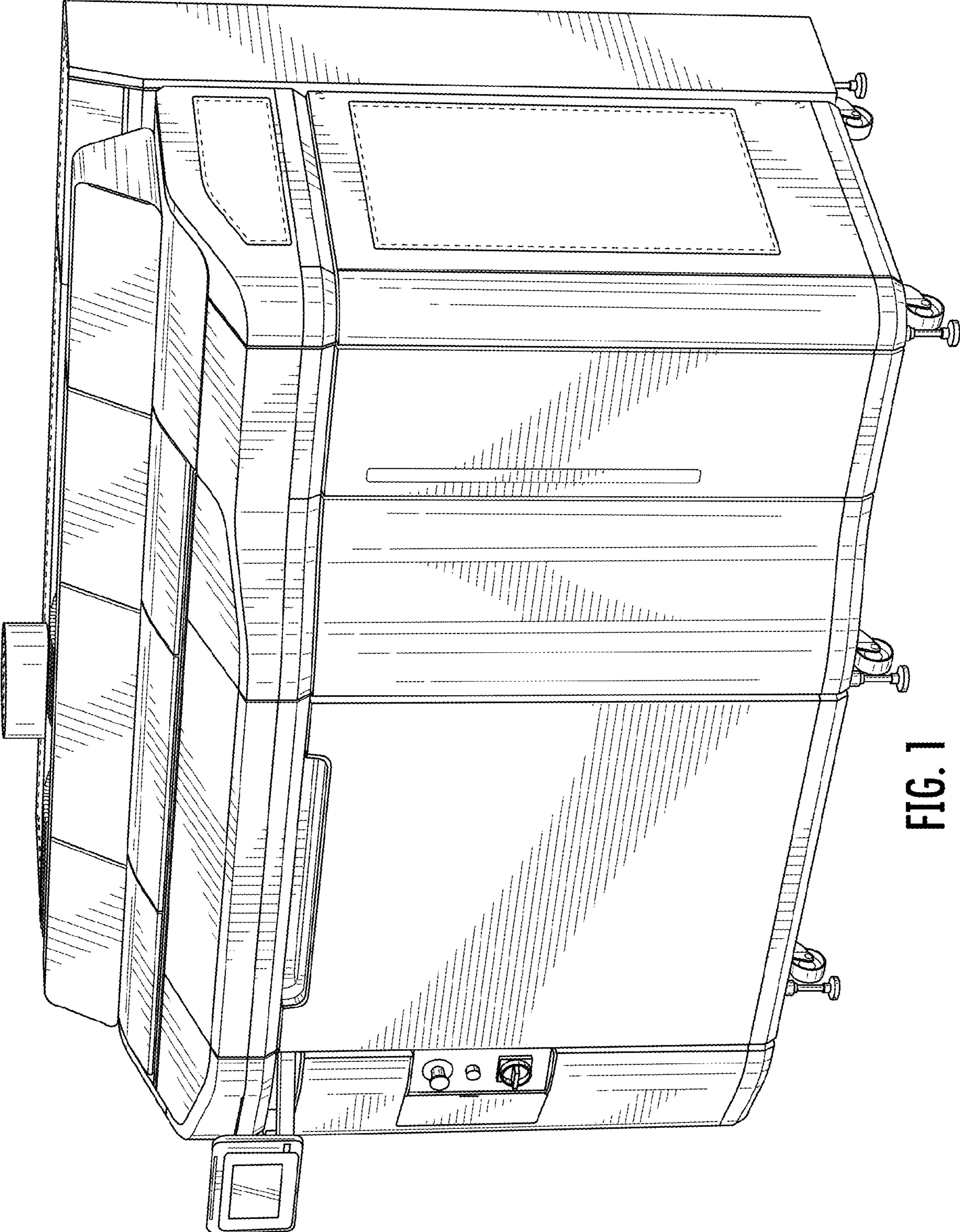


FIG. 1

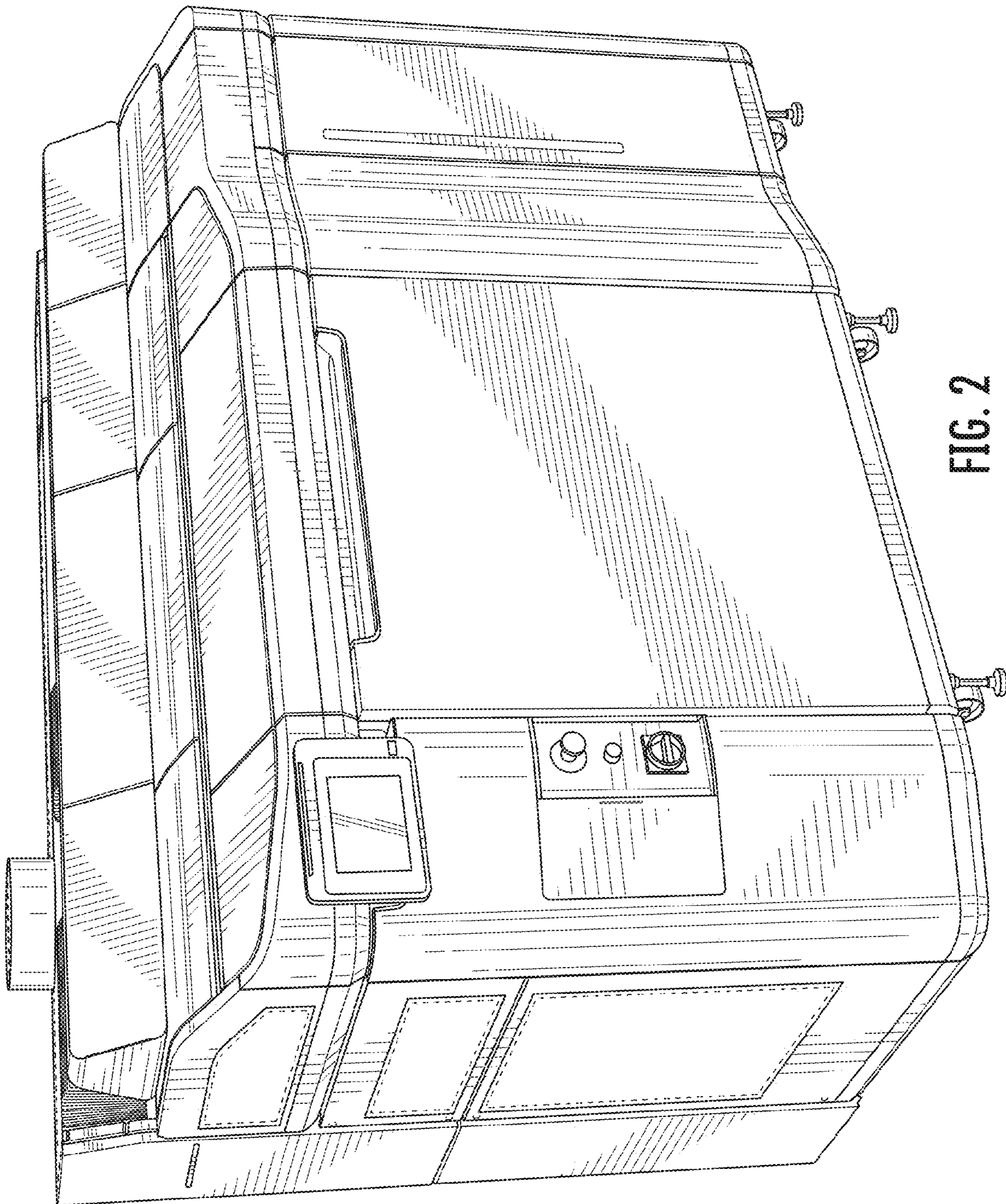


FIG. 2

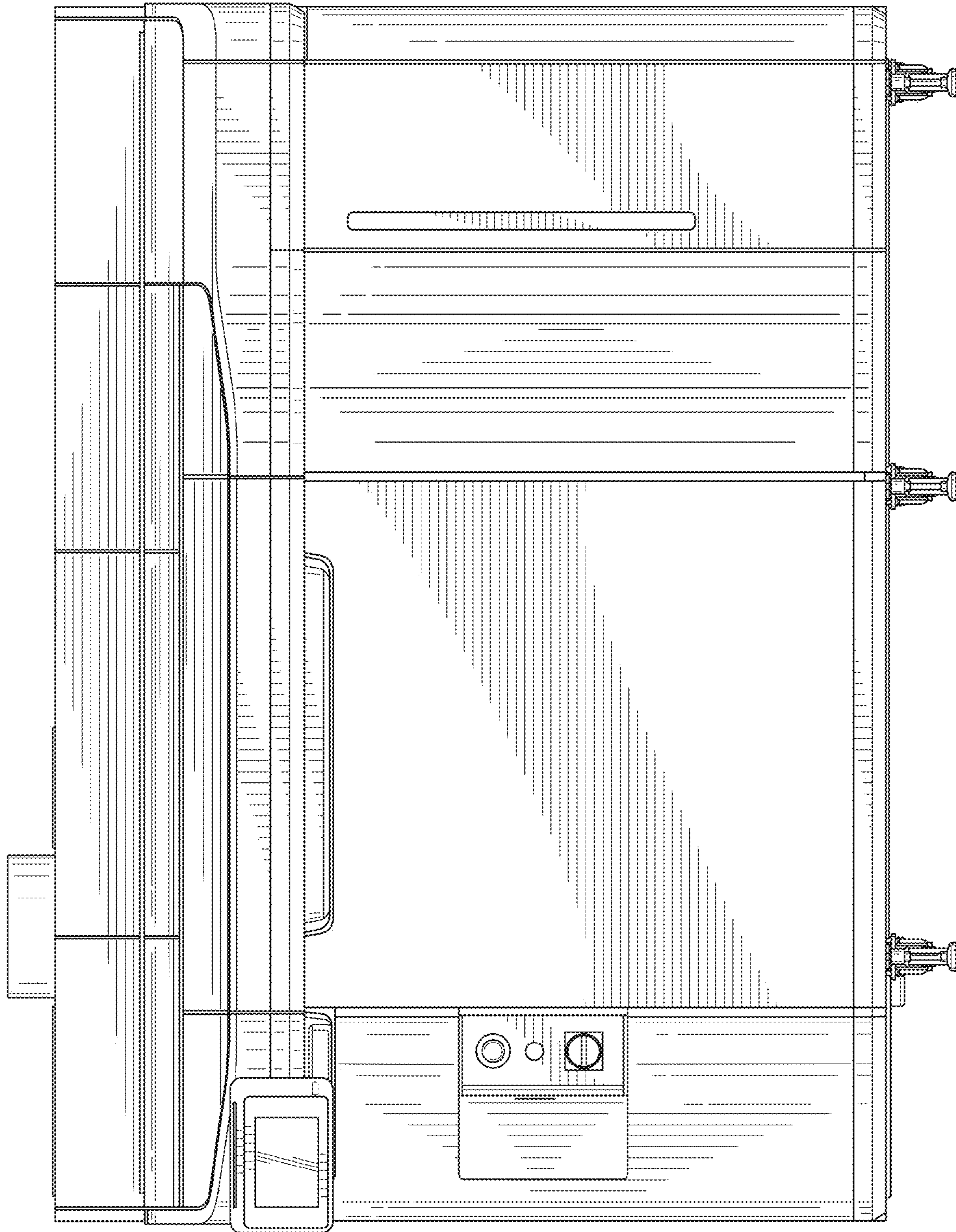


FIG. 3

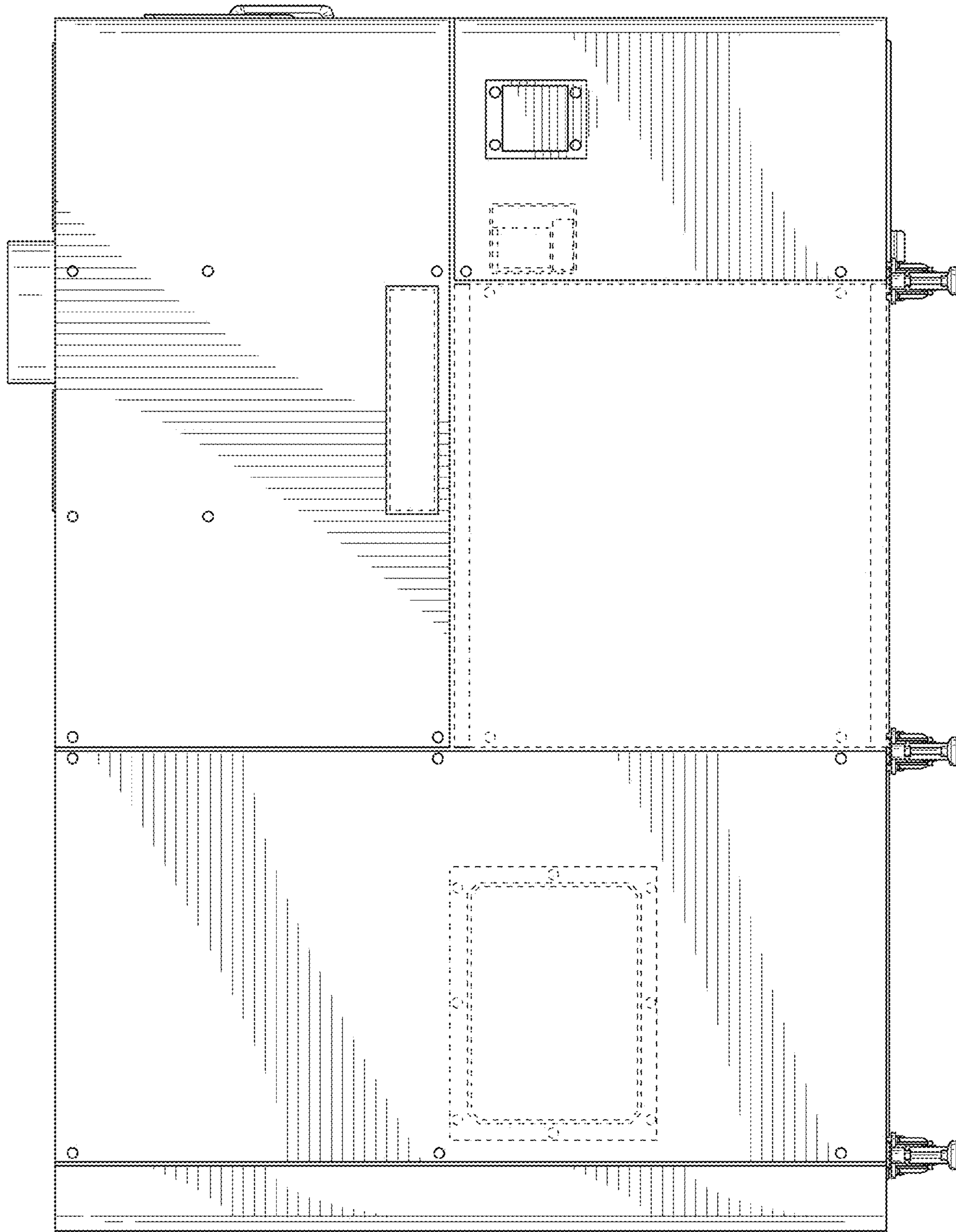


FIG. 4

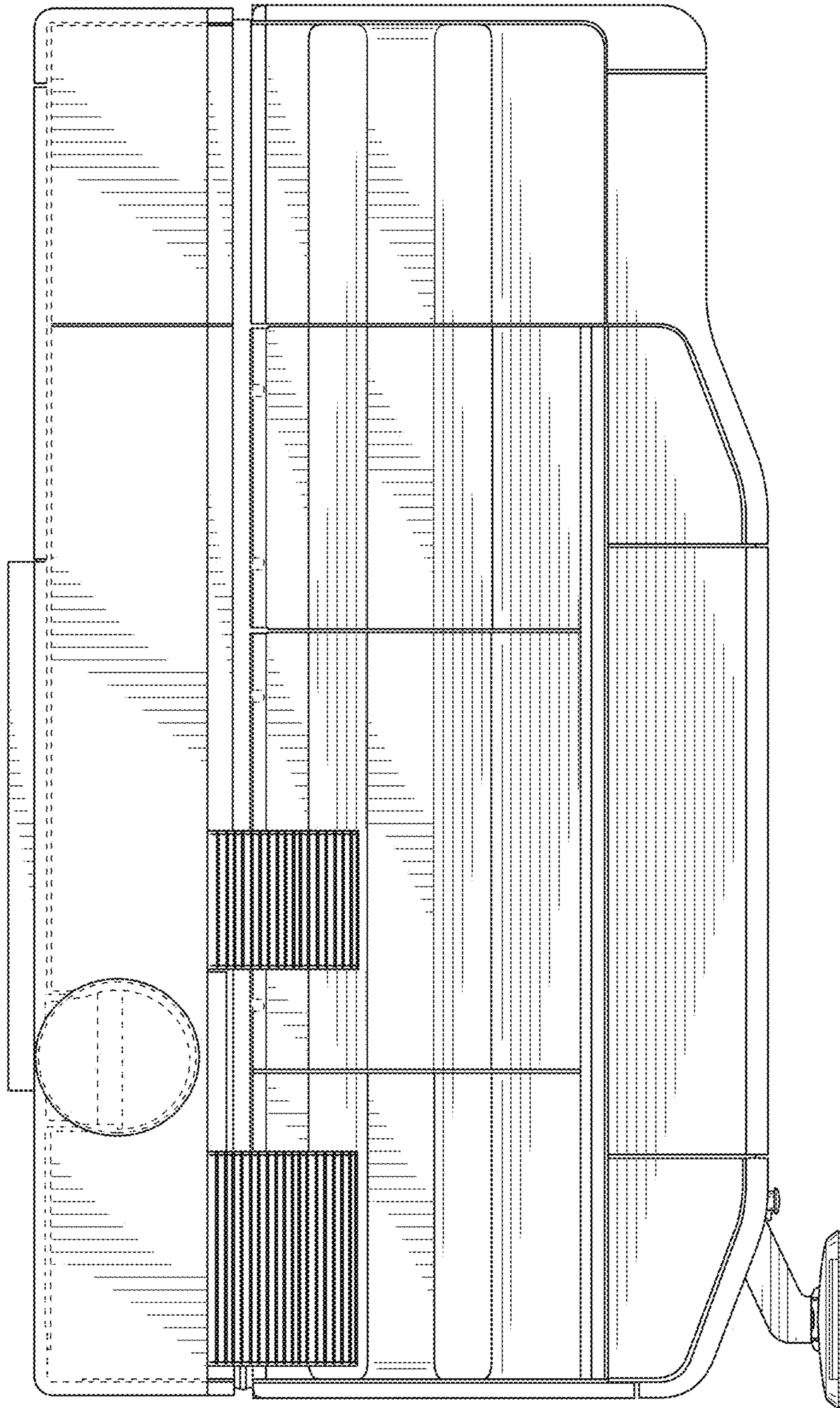


FIG. 5

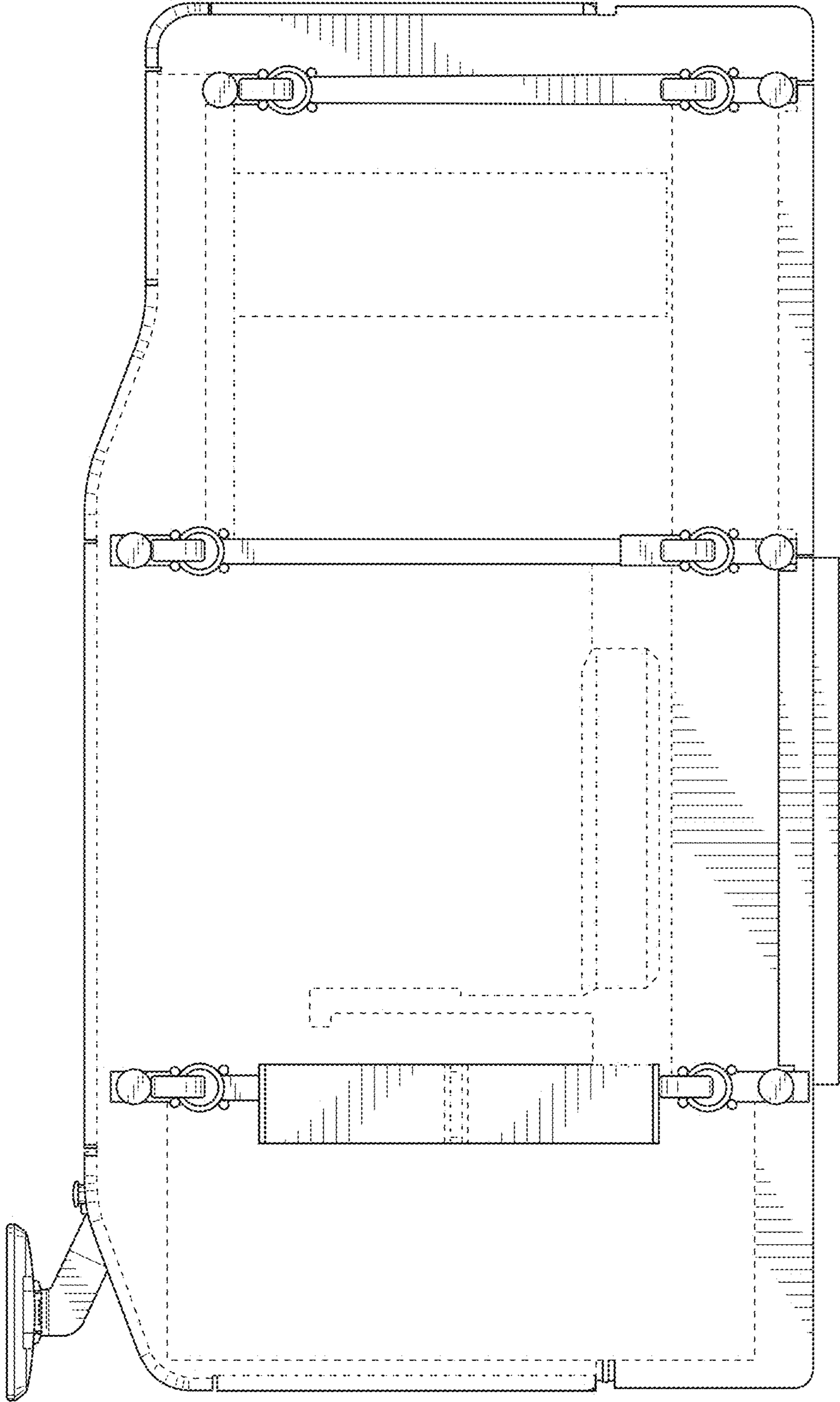


FIG. 6



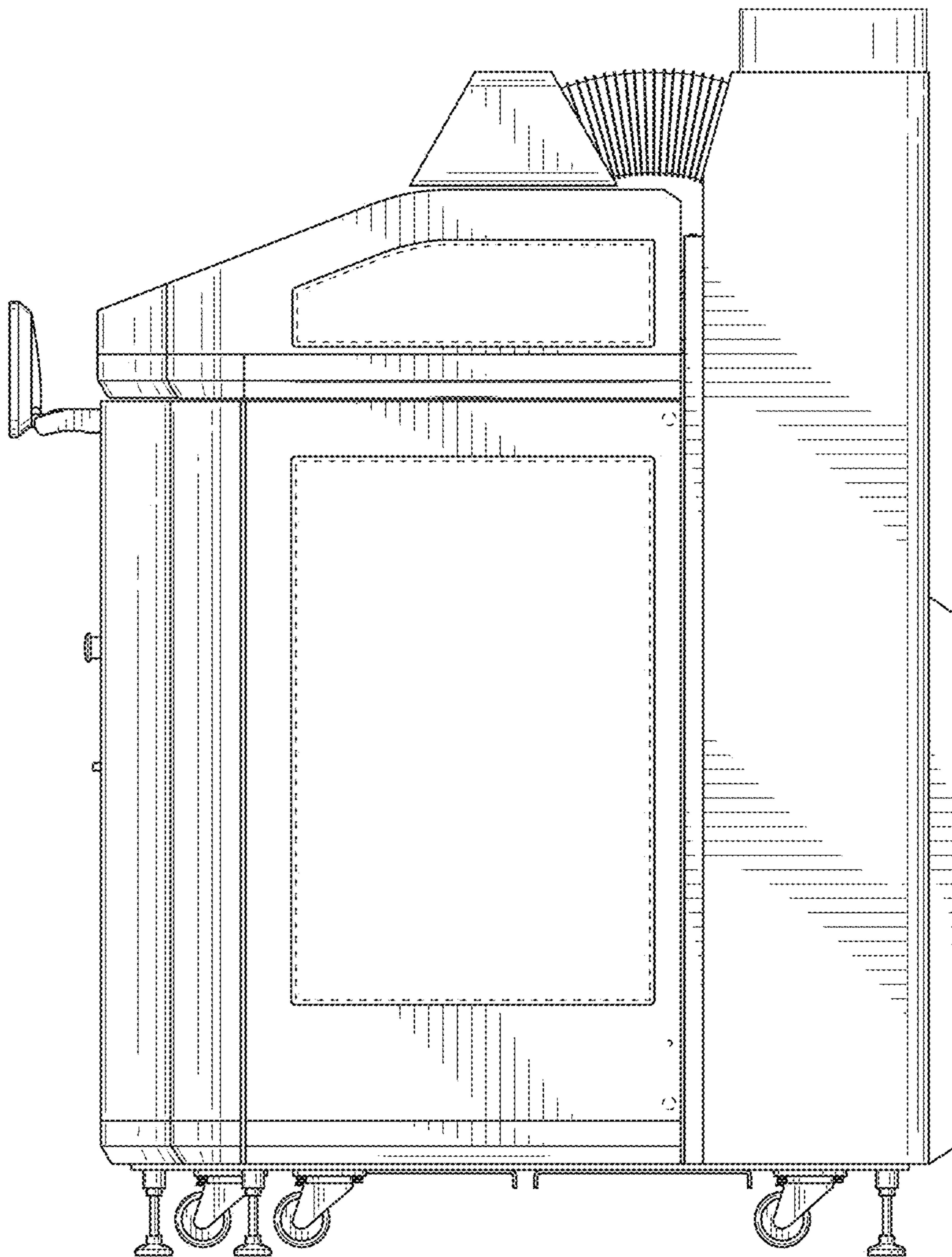


FIG. 7

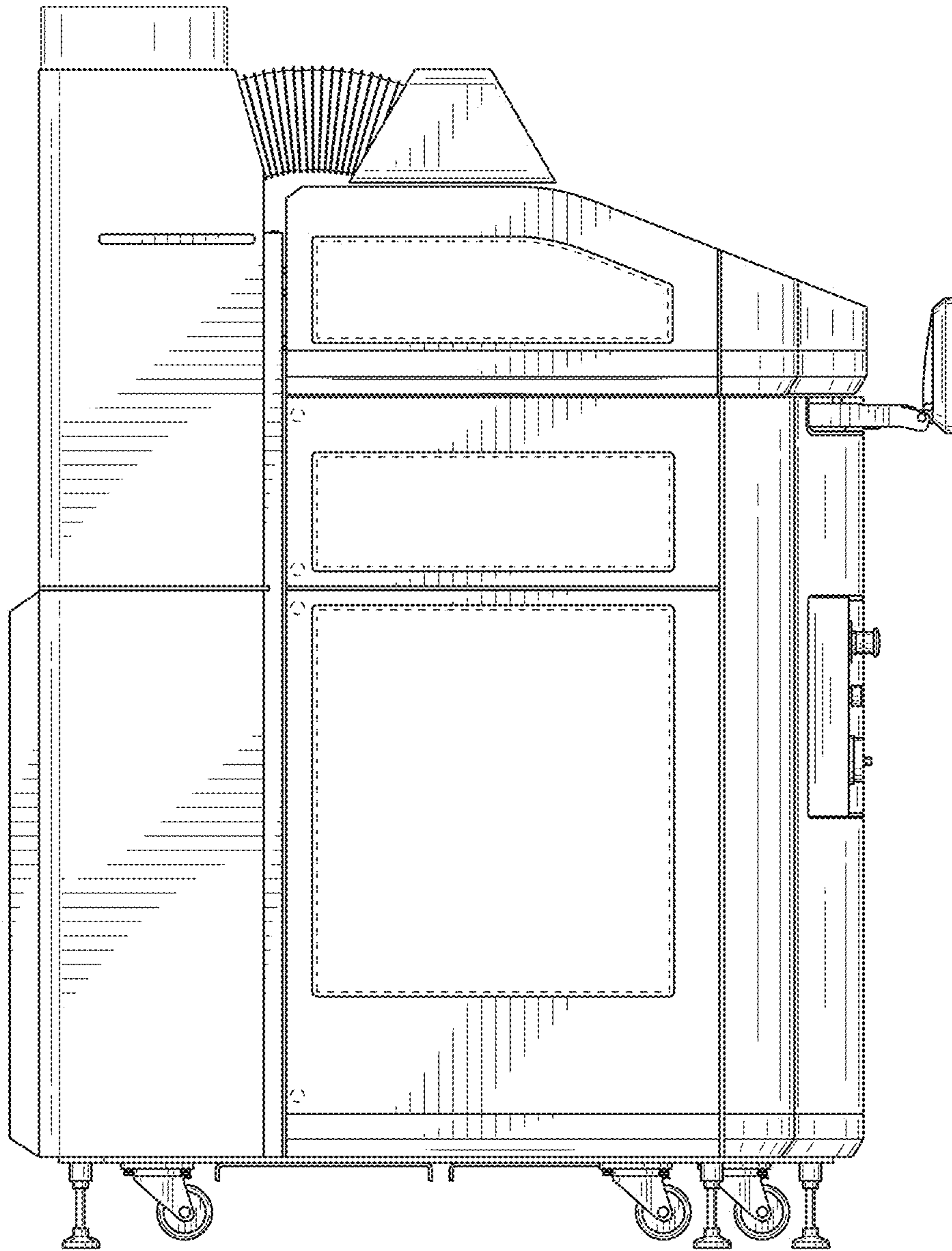


FIG. 8