

US00D894975S

(12) **United States Design Patent** (10) **Patent No.:** **US D894,975 S**
Hoffman et al. (45) **Date of Patent:** **** Sep. 1, 2020**

(54) **ICE DISPENSING APPARATUS**

(56) **References Cited**

(71) Applicant: **Aqua Star International, LLC**,
Tucson, AZ (US)

(72) Inventors: **Glenn Hoffman**, Tucson, AZ (US);
Robert Joseph Hoffman, Tucson, AZ
(US)

(73) Assignee: **AQUA STAR INTERNATIONAL,**
LLC, Tucson, AZ (US)

(**) Term: **15 Years**

U.S. PATENT DOCUMENTS

D159,914 S *	8/1950	Mackenzie	D15/80
D166,545 S *	4/1952	Loewy	D15/80
D407,092 S *	3/1999	Weaver	D15/80
D442,973 S *	5/2001	Strandell	D15/80
D463,464 S *	9/2002	Strandell	D15/80
D526,338 S *	8/2006	McDougal	D15/80
D557,716 S *	12/2007	Okuda	D15/80
D597,107 S *	7/2009	Ohtake	D15/80
D673,185 S *	12/2012	LaFond	D15/80
D692,032 S *	10/2013	LaFond	D15/80
D734,371 S *	7/2015	Lei	D15/80

(21) Appl. No.: **29/709,211**

(22) Filed: **Oct. 17, 2019**

(51) **LOC (12) Cl.** **15-07**

(52) **U.S. Cl.**
USPC **D15/80**

(58) **Field of Classification Search**
USPC D15/79, 80, 81, 83
CPC F25C 1/00; F25C 5/005; F25C 1/04; F25C
1/22; F25C 5/182; F25C 1/24; F25C
2305/022; F25C 5/04; F25C 5/06; F25C
1/10; F25C 1/18; F25C 5/185; F25C
1/12; F25C 1/225; F25C 2400/04; F25C
2400/12; F25C 2400/14; F25D 23/006;
F25D 23/04; F25D 2323/00274; F25D
2323/121; F25D 2400/16; F25D
2400/361; F25D 2400/40; F25D 2500/02;
F25D 31/002; F25D 31/007; F25D
2317/0417; F25D 2317/0683; F25D
25/00; F25D 29/00; F25D 11/003

* cited by examiner

Primary Examiner — Khawaja Anwar
(74) *Attorney, Agent, or Firm* — Quarles & Brady LLP;
Yakov Sidorin

(57) **CLAIM**

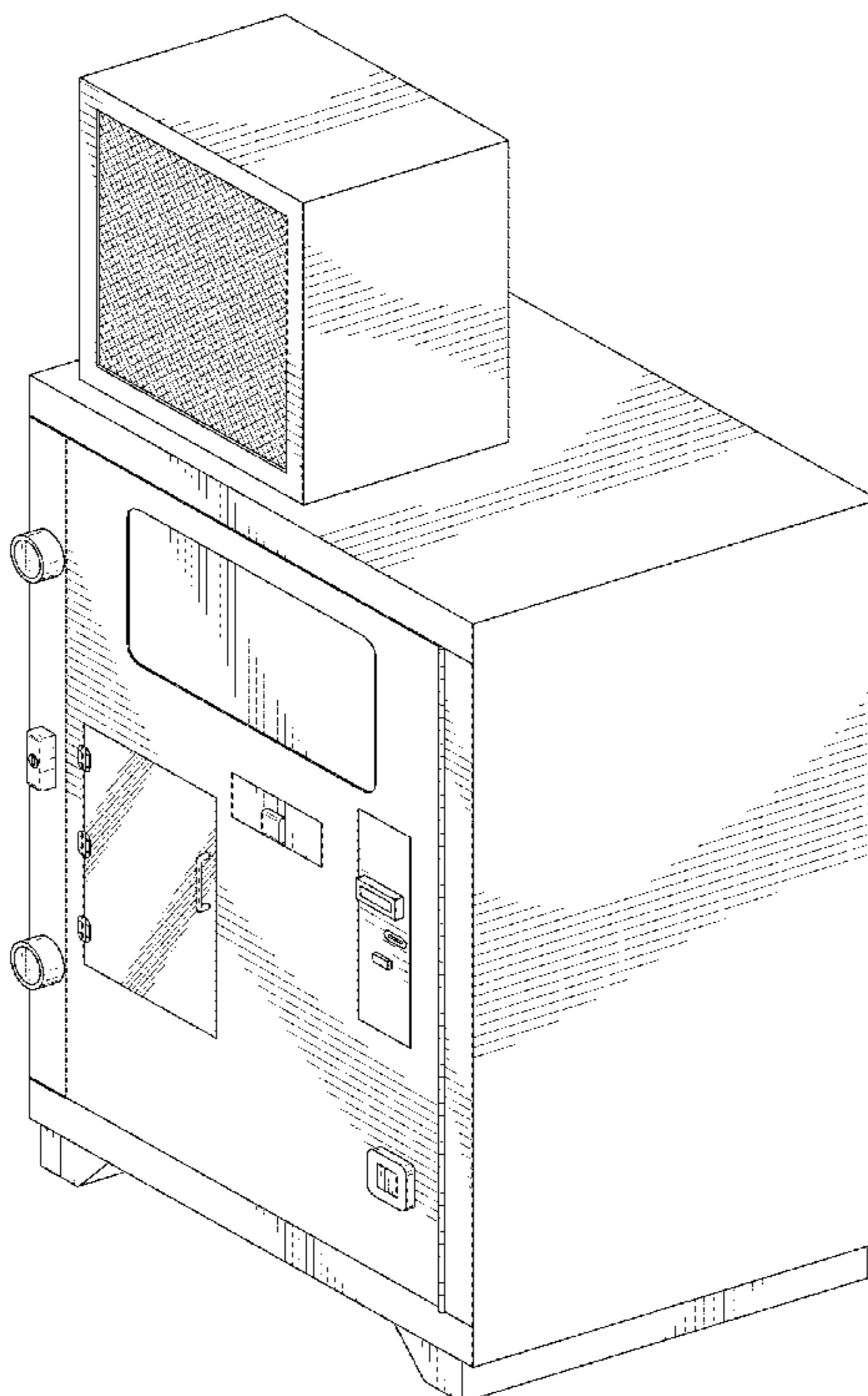
The ornamental design for an ice dispensing apparatus, as shown and described.

DESCRIPTION

FIG. 1 is a perspective view of an ice dispensing apparatus showing our new design;
FIG. 2 is a front elevation view thereof;
FIG. 3 is a rear elevation view thereof;
FIG. 4 is a right side elevation view thereof;
FIG. 5 is a left side elevation view thereof;
FIG. 6 is a top plan view thereof; and,
FIG. 7 is a bottom side elevation view thereof.

1 Claim, 7 Drawing Sheets

See application file for complete search history.



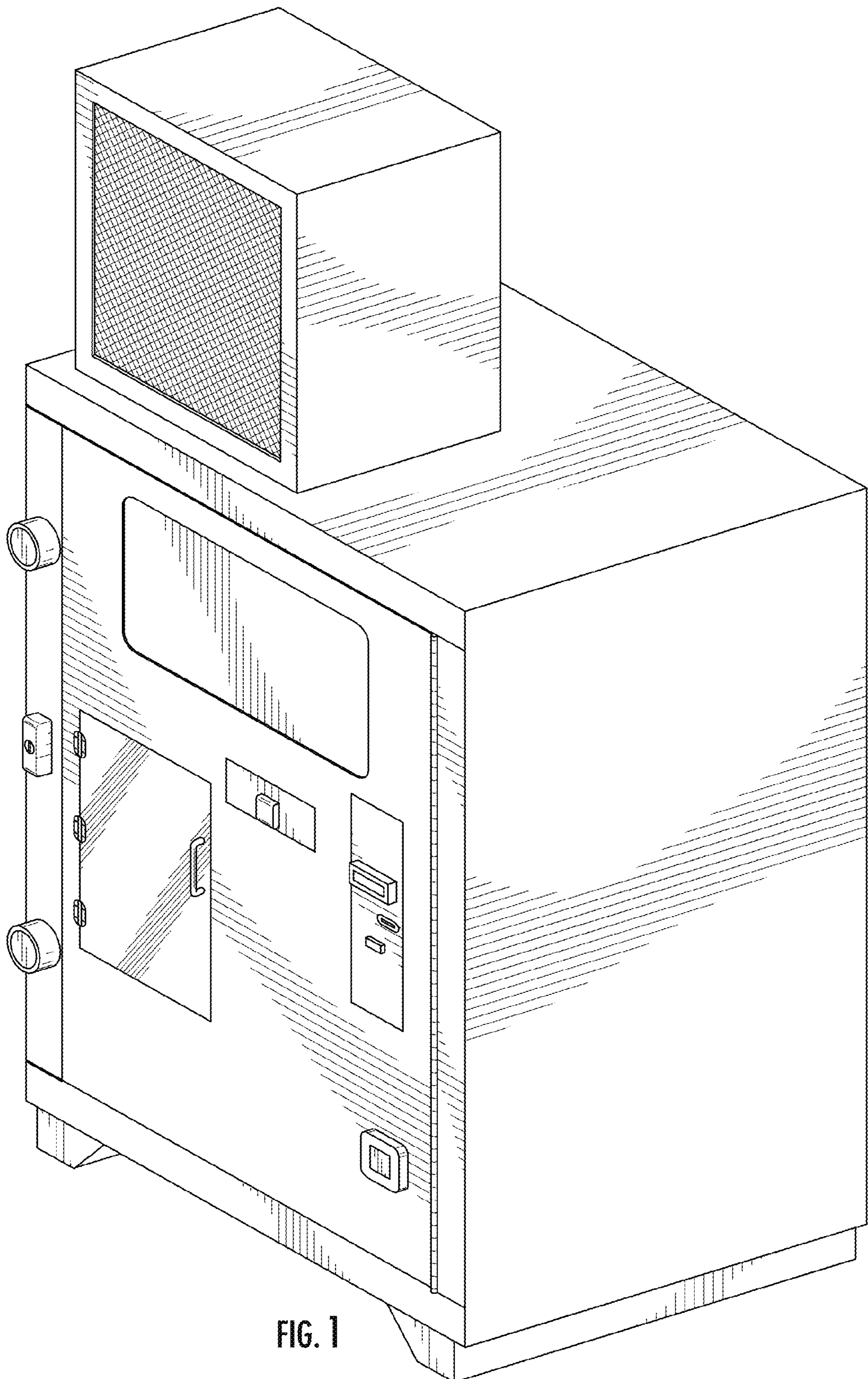


FIG. 1

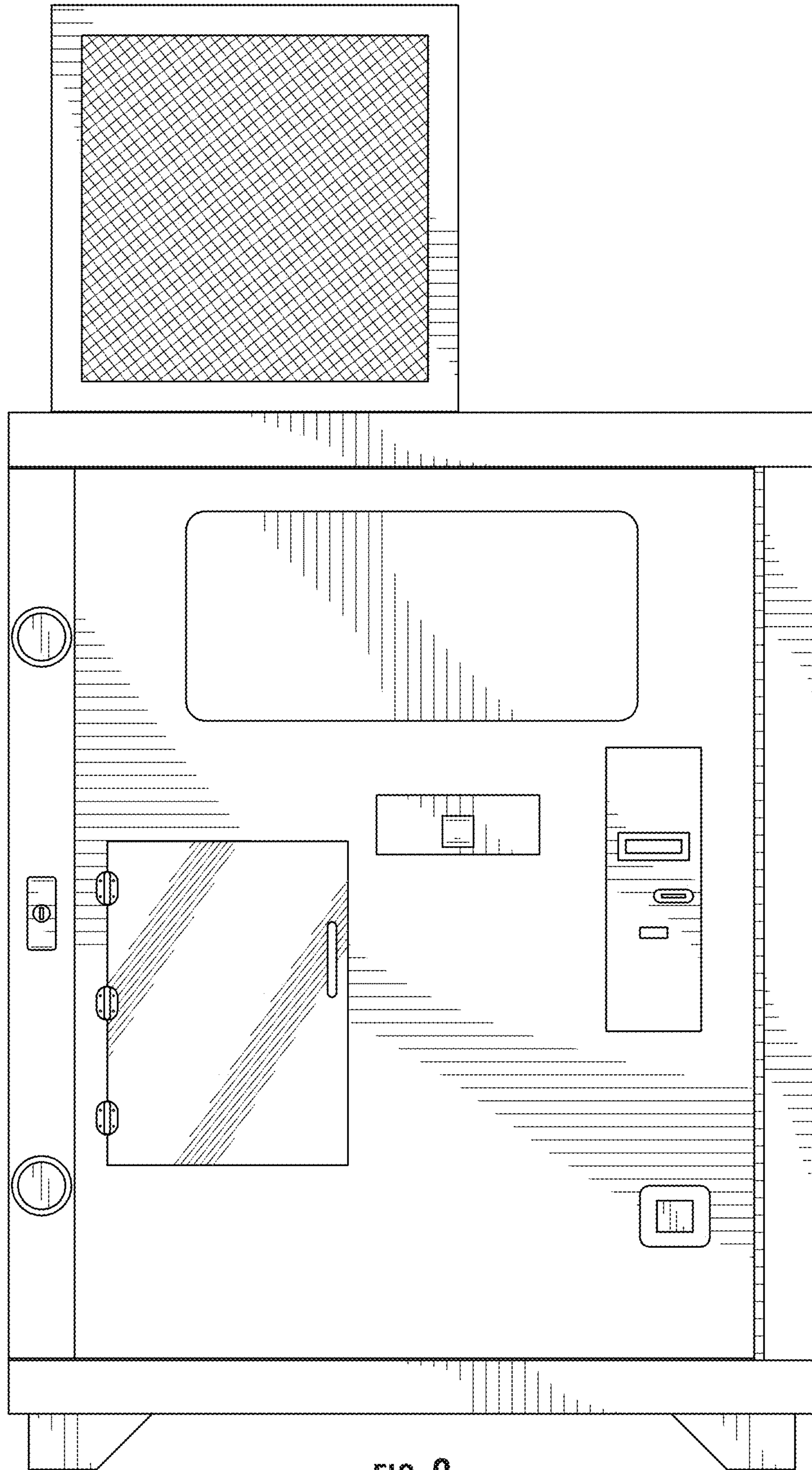


FIG. 2

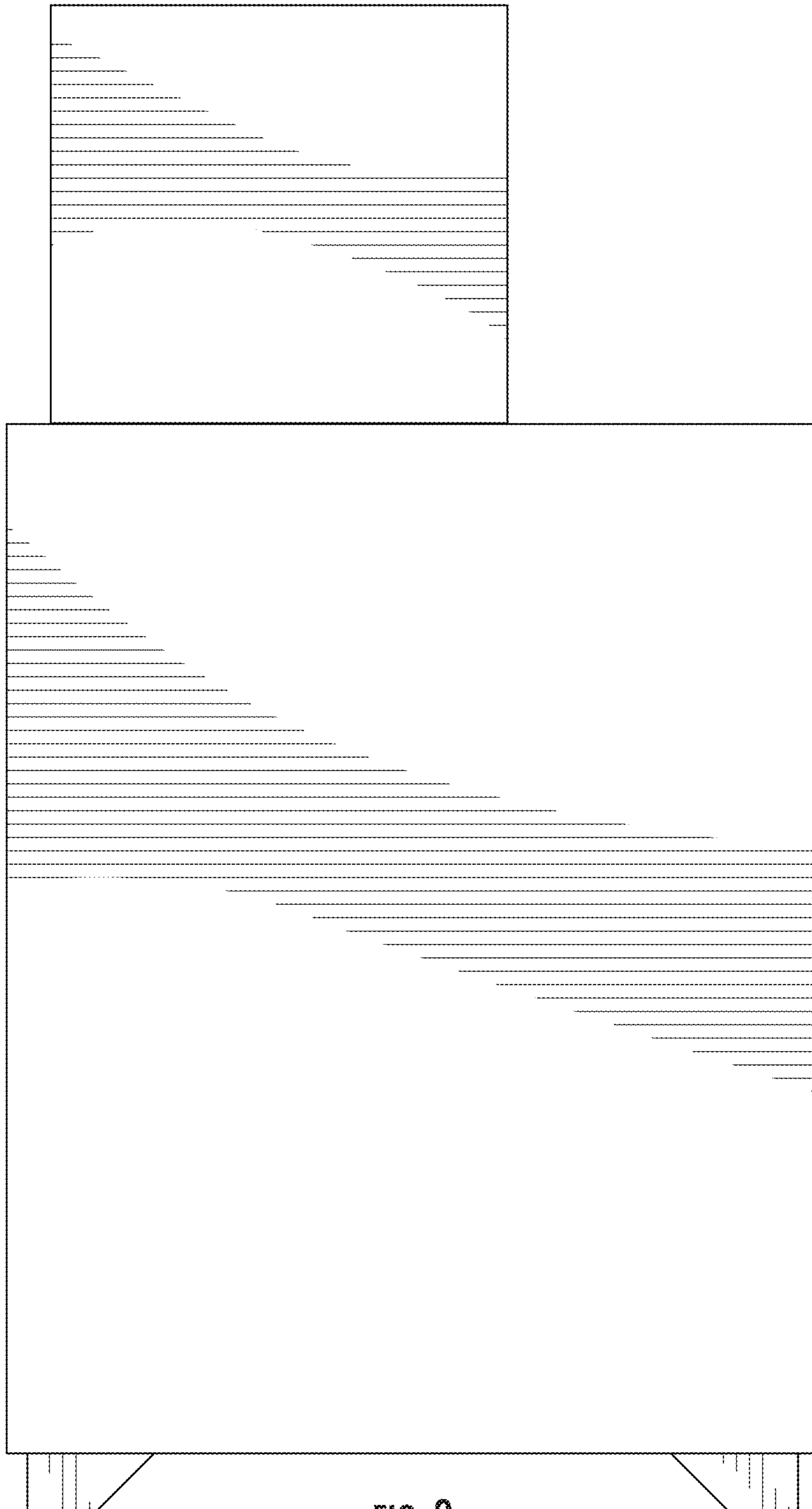


FIG. 3

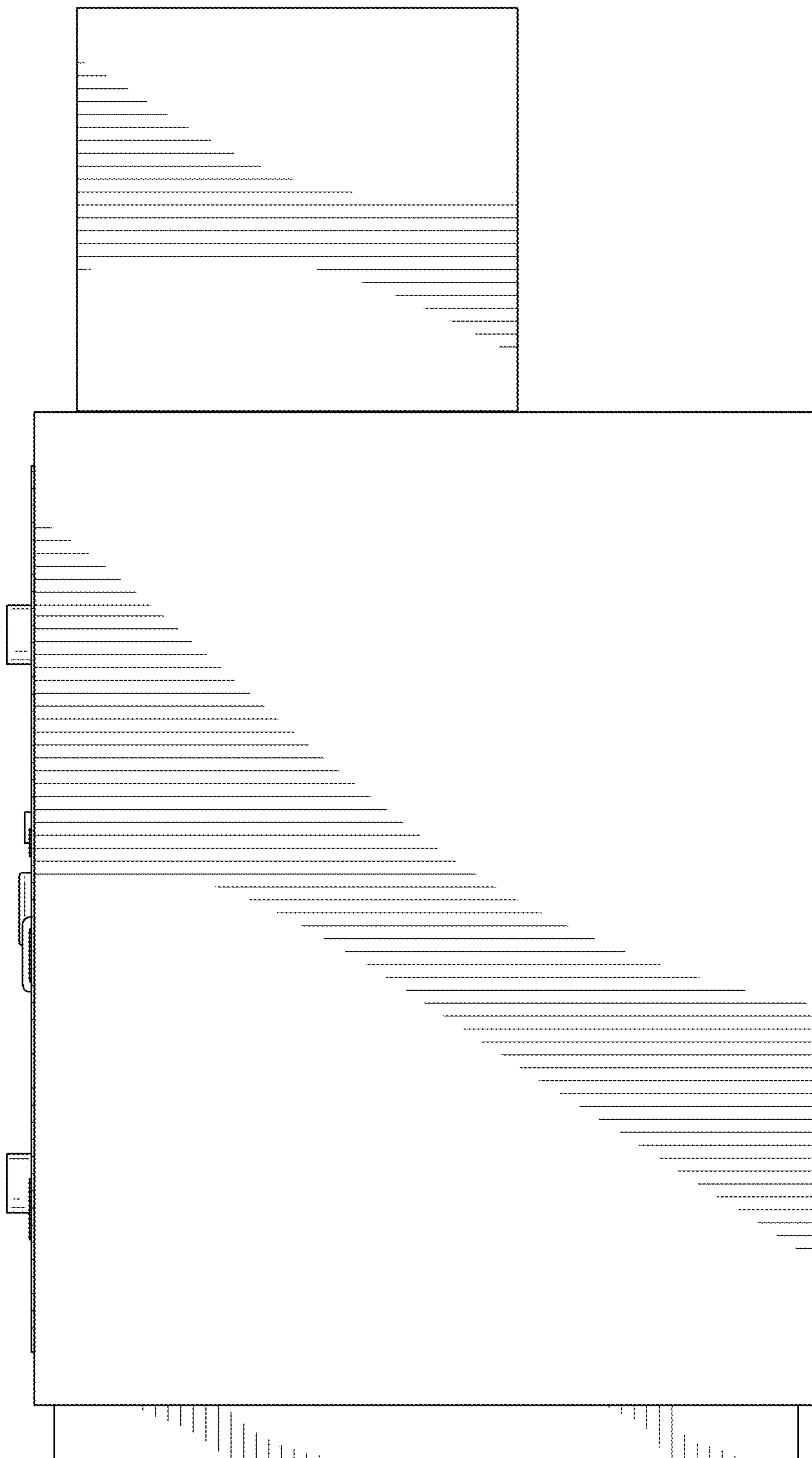


FIG. 4

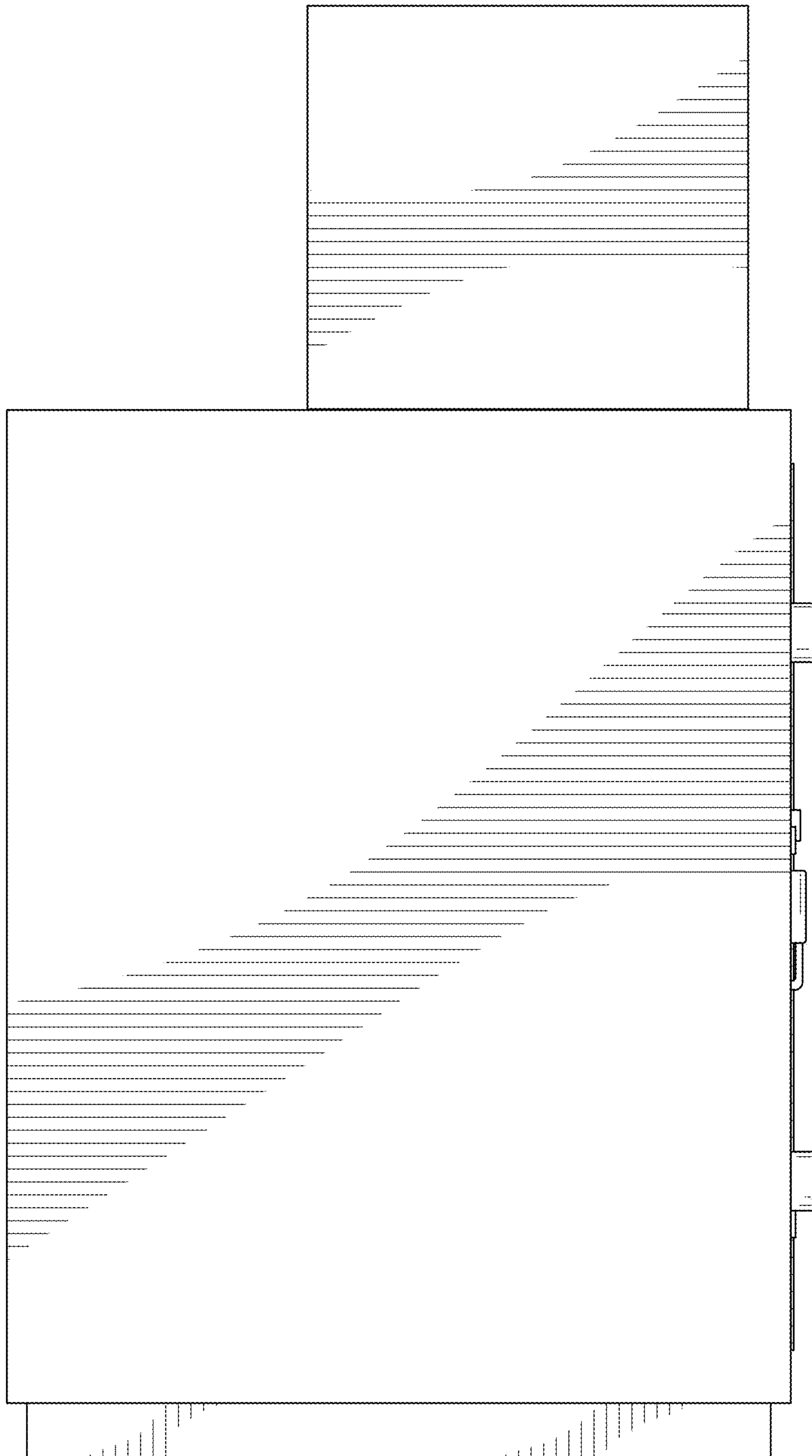


FIG. 5

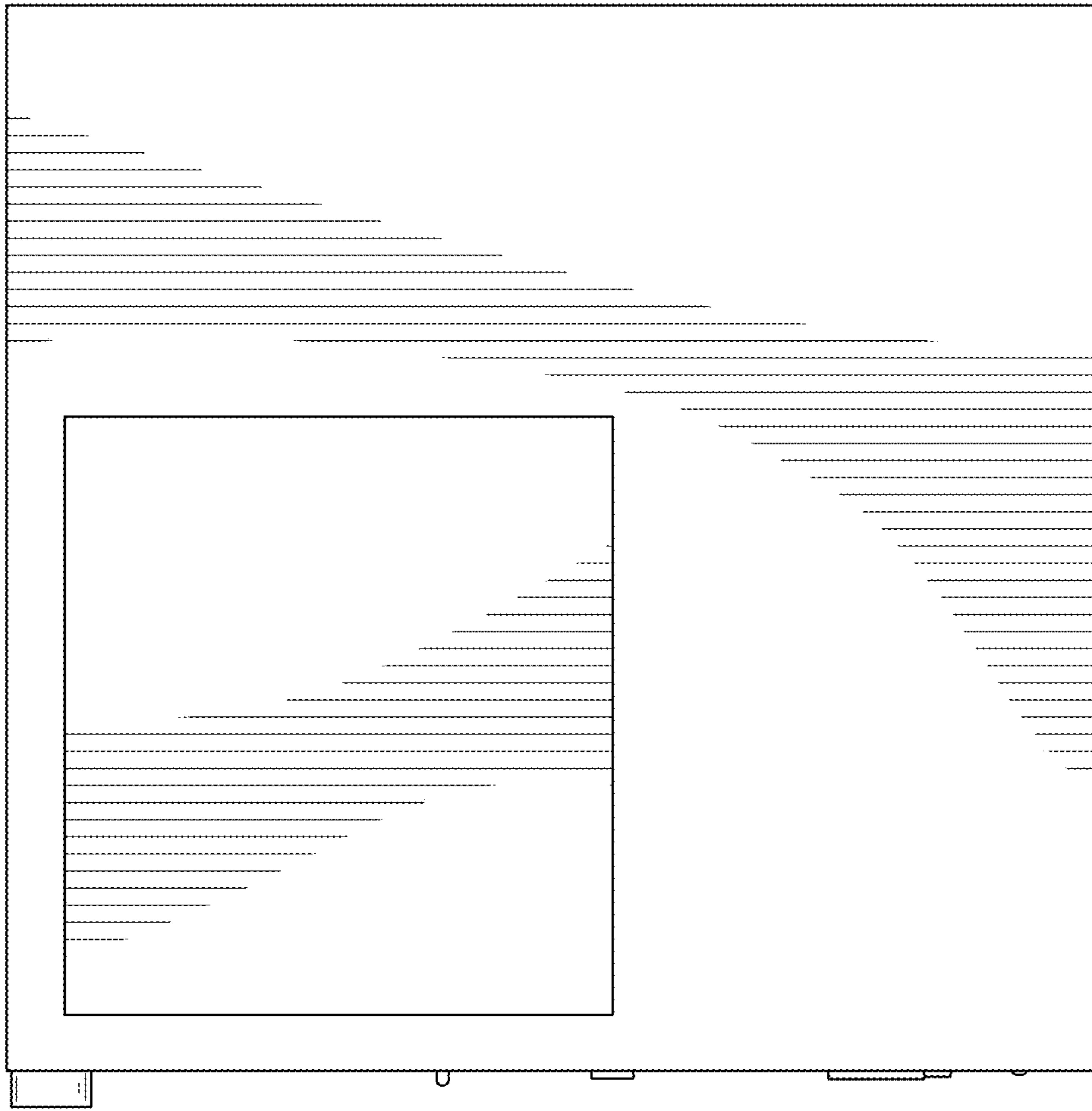


FIG. 6

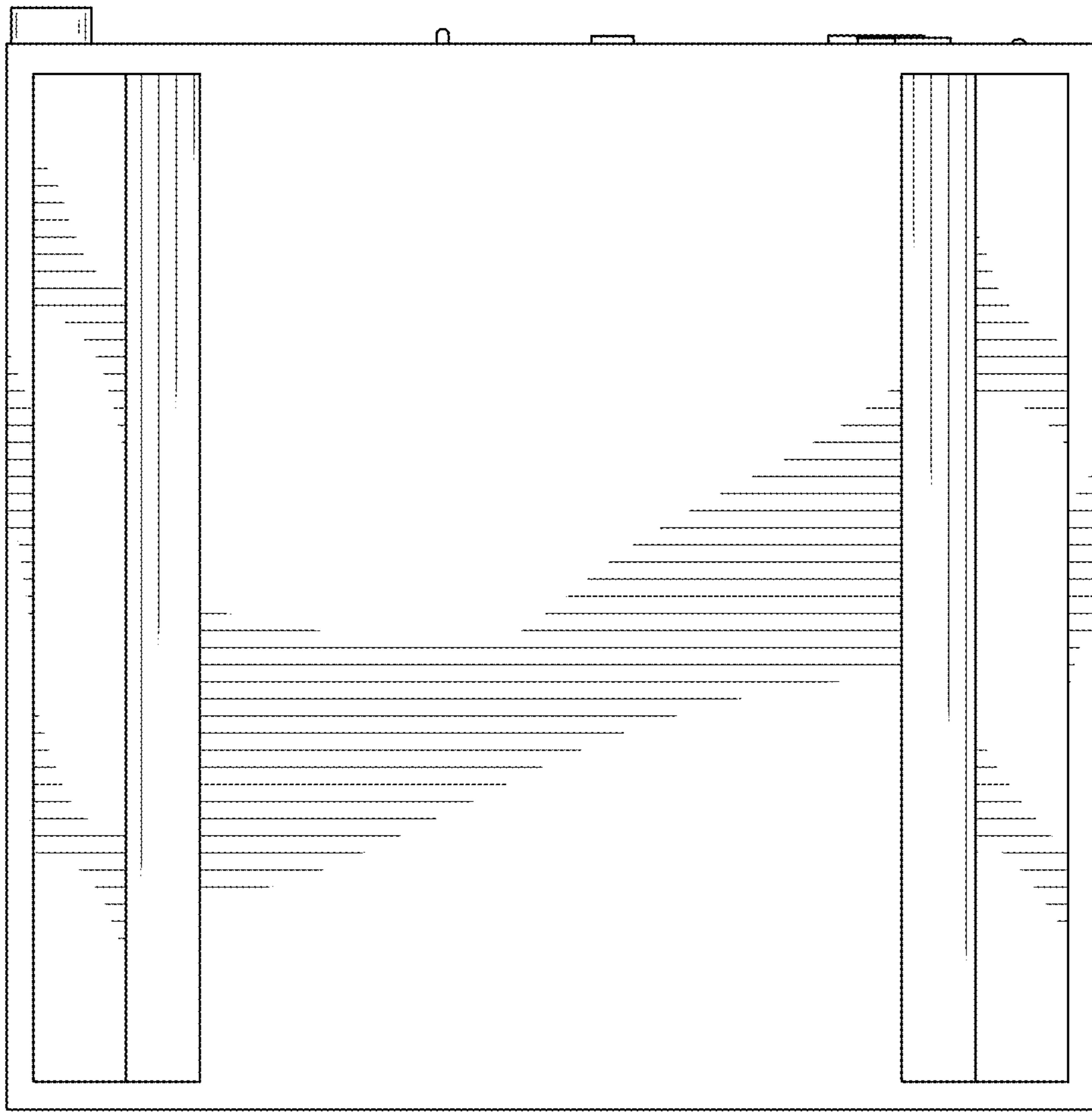


FIG. 7