



US00D894973S

(12) **United States Design Patent** (10) **Patent No.:** **US D894,973 S**
Tam et al. (45) **Date of Patent:** **** Sep. 1, 2020**

(54) **BRAIDING DEVICE**
(71) Applicant: **SPIN MASTER LTD.**, Toronto (CA)
(72) Inventors: **Freda Wise Tam**, Toronto (CA); **Mollie B. Jameson**, Toronto (CA); **Dominique Roy**, Montreal (CA)

2003/0230316 A1* 12/2003 Glucksman A45D 2/00
132/212
2016/0009521 A1* 1/2016 Morris B65H 54/02
242/530
2016/0096703 A1* 4/2016 Barea B65H 51/20
226/158

(73) Assignee: **SPIN MASTER LTD.**, Toronto (CA)
(**) Term: **15 Years**

FOREIGN PATENT DOCUMENTS
JP 2018188790 A * 11/2018 D04C 3/00

(21) Appl. No.: **29/636,991**
(22) Filed: **Feb. 13, 2018**
(51) **LOC (12) Cl.** **15-06**
(52) **U.S. Cl.**
USPC **D15/66; D19/108**
(58) **Field of Classification Search**
USPC D28/4, 9, 10, 11, 13, 44.2; D15/66, 78;
D21/527; D19/108
CPC B65H 51/22; D03J 33/00; D04C 3/00;
D04C 3/16; D04C 3/38; D04C 3/42
See application file for complete search history.

OTHER PUBLICATIONS
Cool Maker KumiKreator Friendship Bracelet Maker, Cool Maker, first available on Jul. 10, 2018 on amazon.com, retrieved on Apr. 19, 2019, retrieved from the Internet URL: <https://www.amazon.com/Cool-Maker-KumiKreator-Friendship-Bracelet/dp/B07B4CJFK9>.*

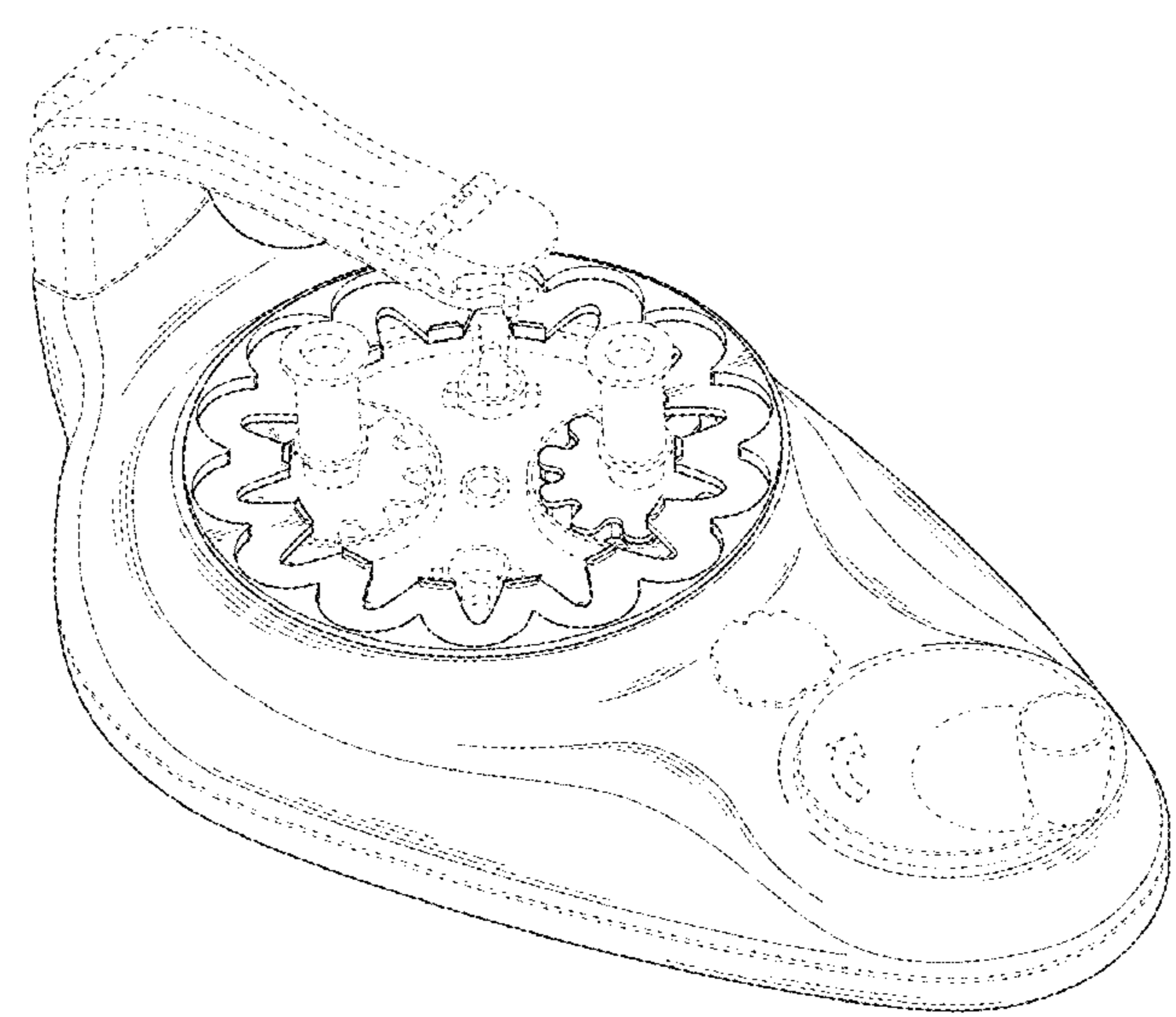
* cited by examiner
Primary Examiner — Jennifer Rivard
Assistant Examiner — Alison M Ofstun
(74) *Attorney, Agent, or Firm* — Millman IP Inc.

(56) **References Cited**
U.S. PATENT DOCUMENTS
4,583,561 A * 4/1986 Larsson A45D 2/00
132/212
5,988,181 A * 11/1999 Gable A45D 2/00
132/200
6,662,808 B2* 12/2003 Leason A45D 2/00
132/212
D486,604 S * 2/2004 Glucksman D28/10
D560,850 S * 1/2008 James D28/10
7,699,258 B2* 4/2010 Barea D04B 15/48
242/365.7
8,172,281 B2* 5/2012 Crorey D04D 11/00
289/17
9,181,064 B2* 11/2015 Barea B65H 51/30
D794,683 S * 8/2017 Barea D15/78
D794,715 S * 8/2017 Barea D15/78
10,246,804 B2* 4/2019 Whitehead D04C 3/00

(57) **CLAIM**
The ornamental design for a braiding device, as shown and described.

DESCRIPTION
FIG. 1 is a top, front, right side perspective view of a braiding device, showing our new design;
FIG. 2 is a top, back, right side perspective view thereof;
FIG. 3 is a top view thereof;
FIG. 4 is a right side elevation view thereof;
FIG. 5 is a front elevation view thereof;
FIG. 6 is a left side elevation view thereof;
FIG. 7 is a back elevation view thereof; and,
FIG. 8 is a bottom view thereof.
The broken lines shown in the figures represent boundaries of the claim as well as portions of the article which form no part of the claimed design.

1 Claim, 8 Drawing Sheets



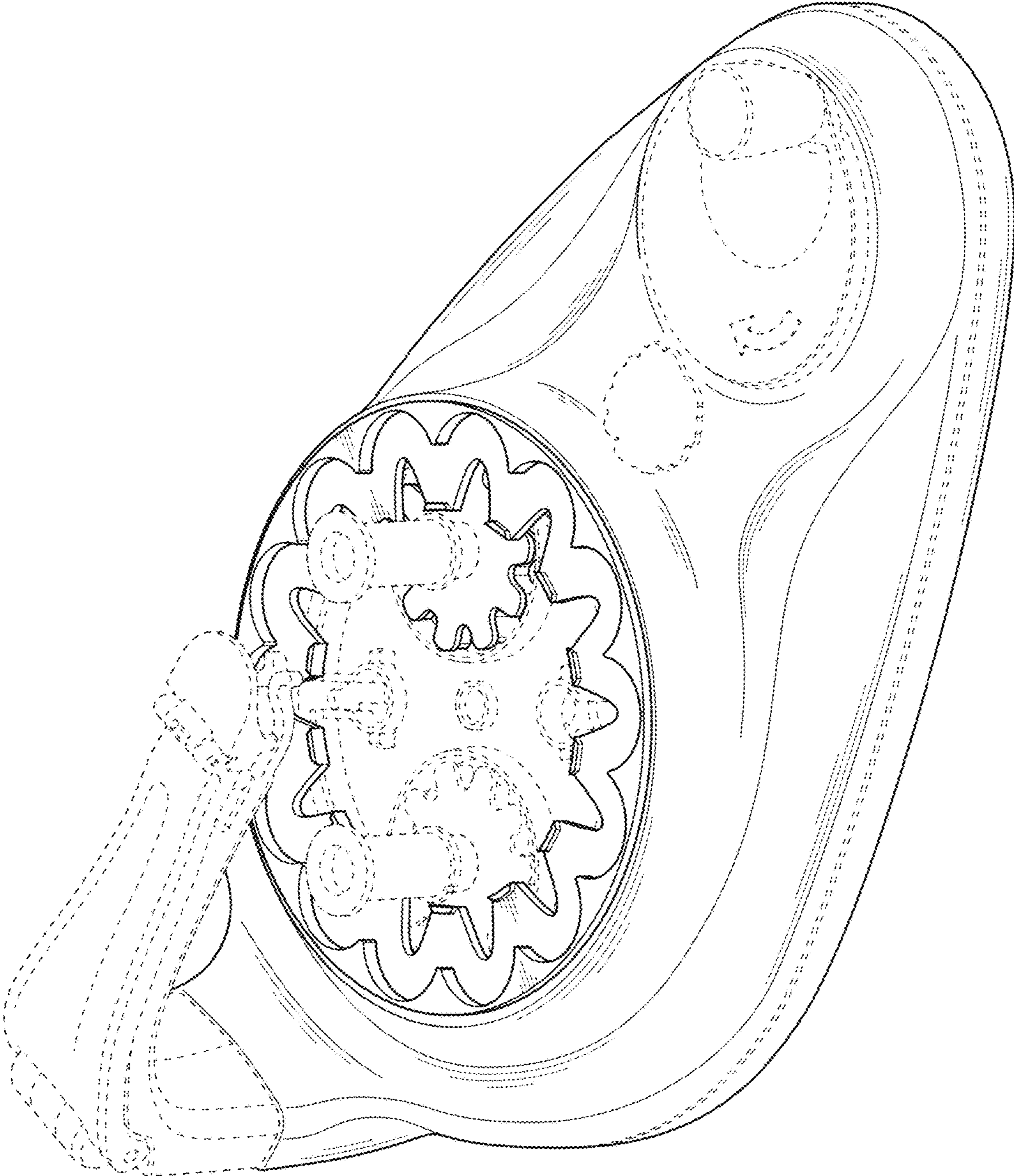
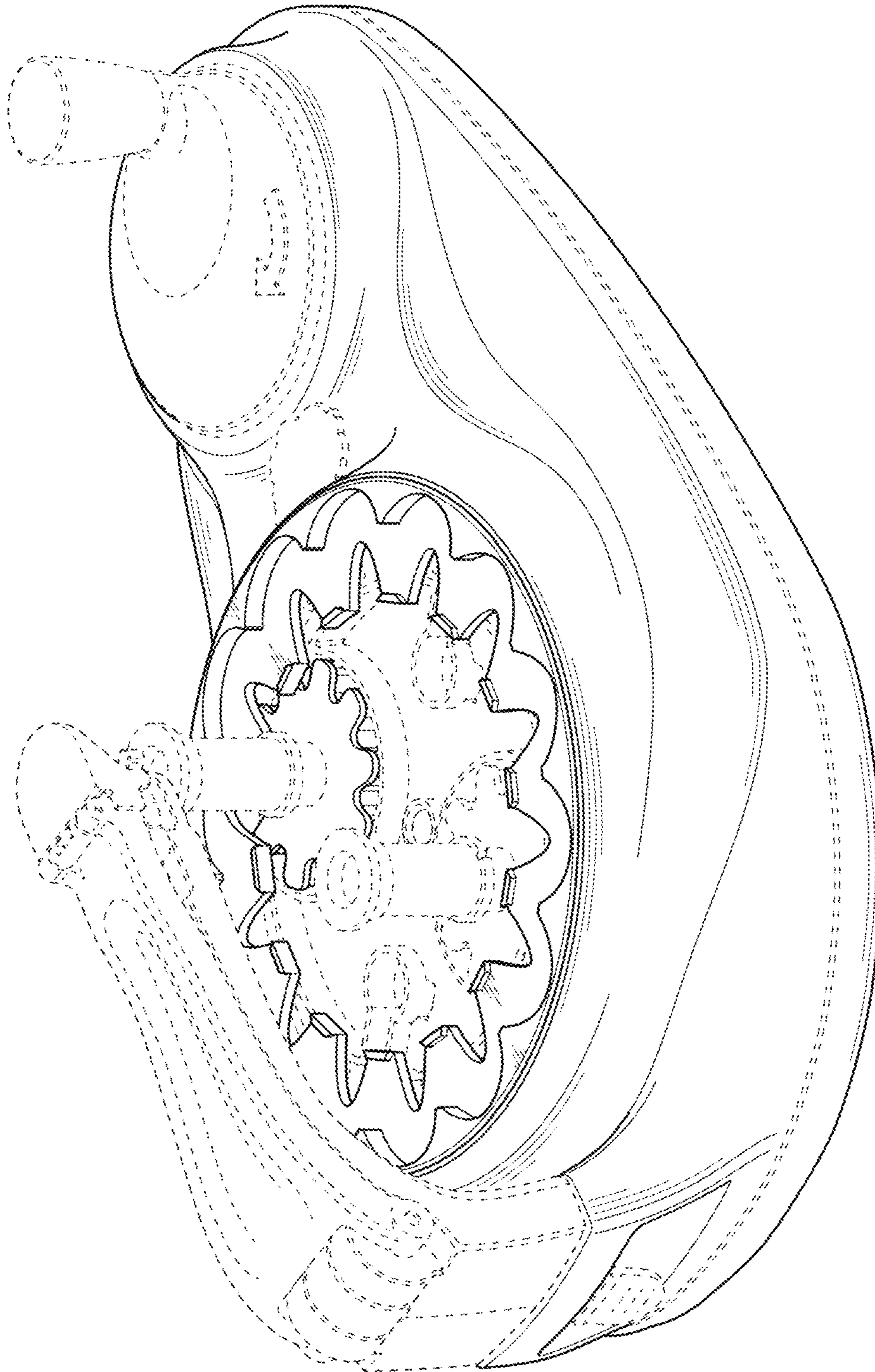


FIG. 1

FIG. 2



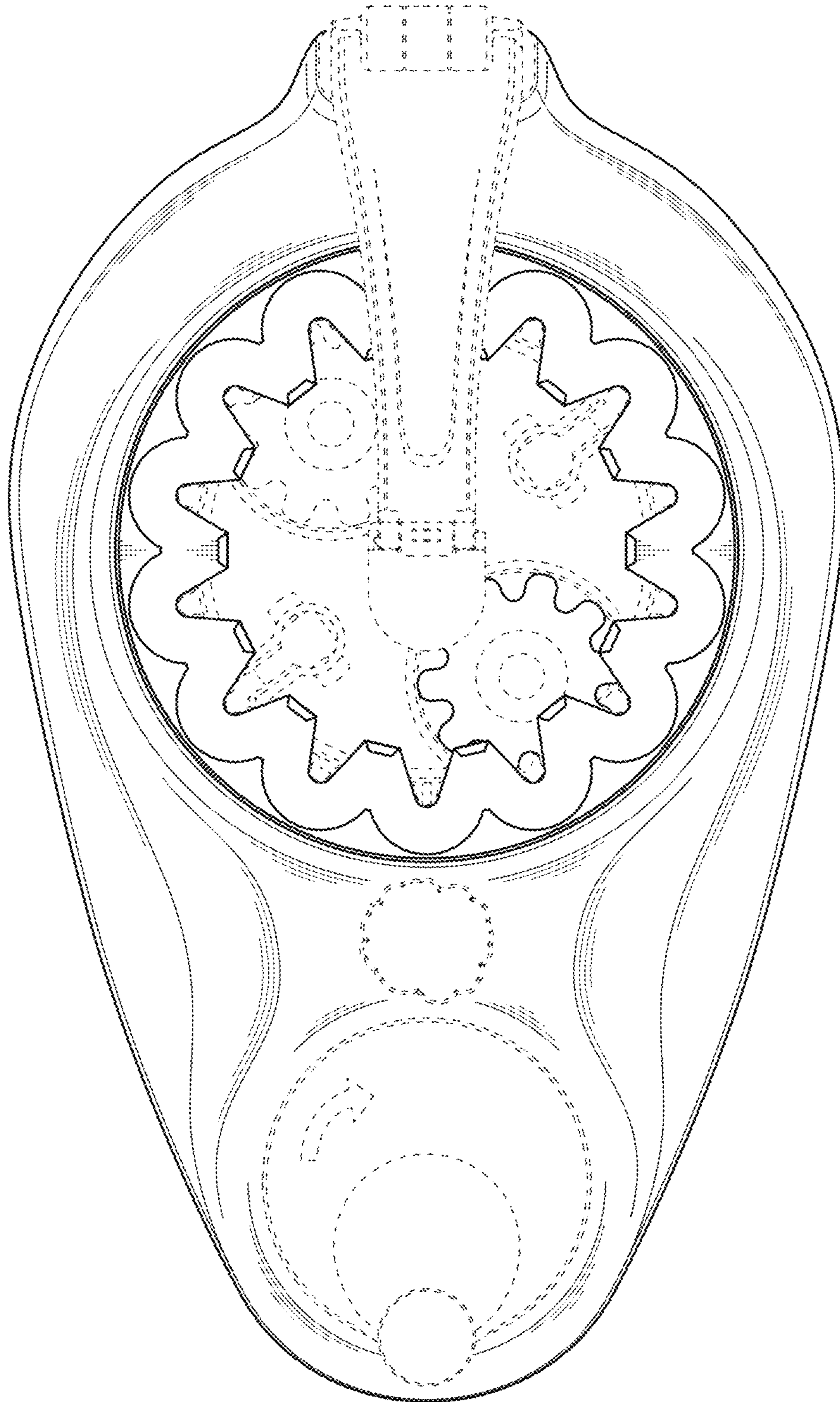


FIG. 3

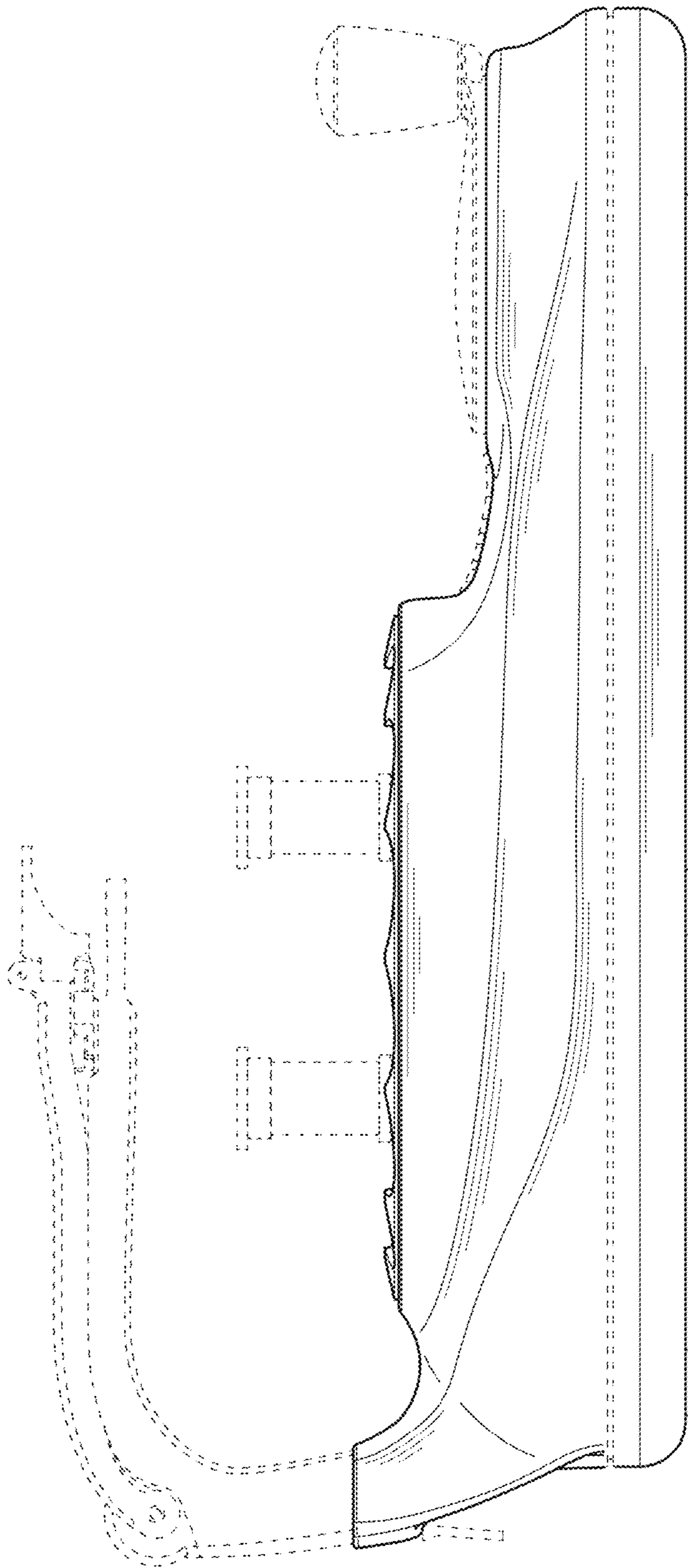


FIG. 4

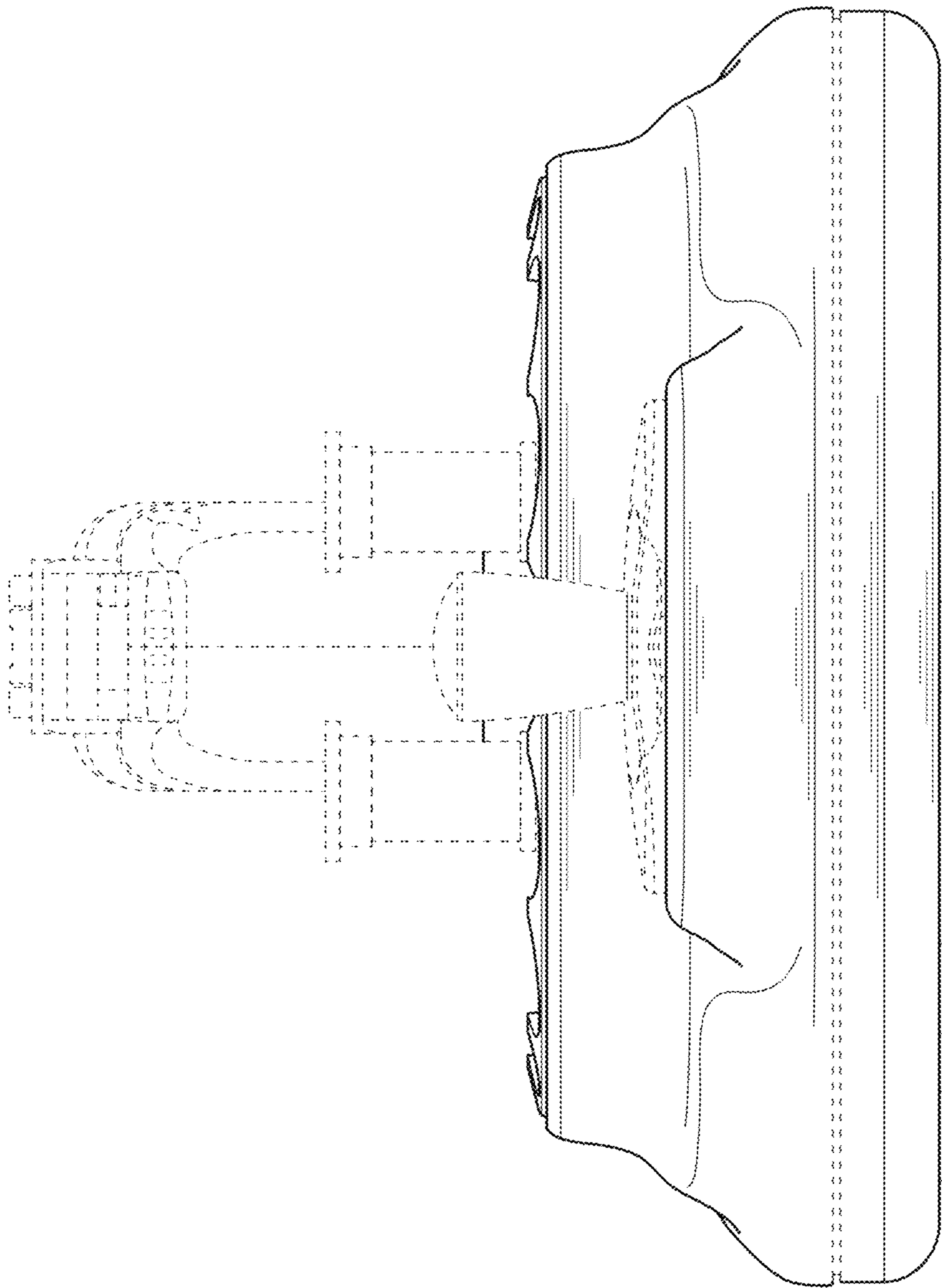


FIG. 5

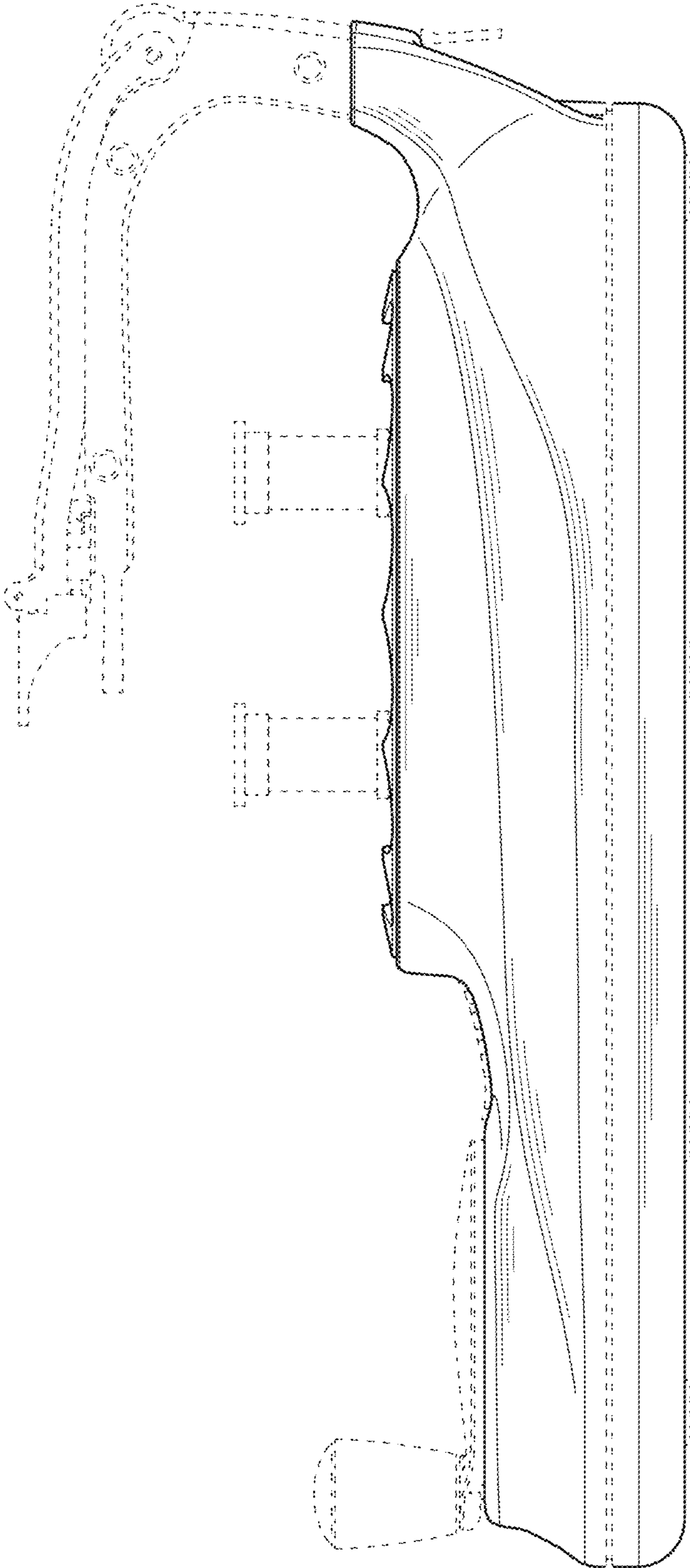


FIG. 6

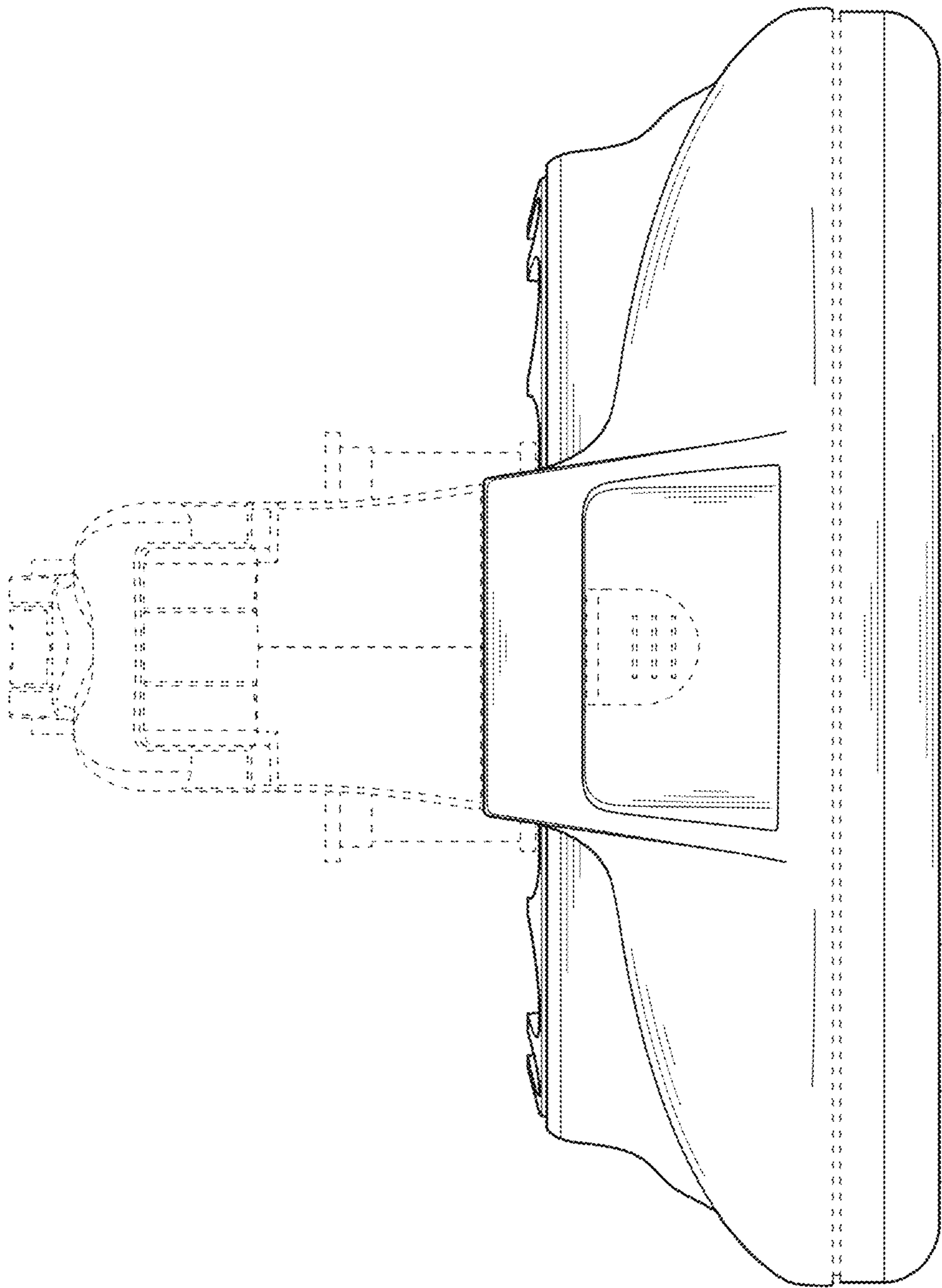


FIG. 7

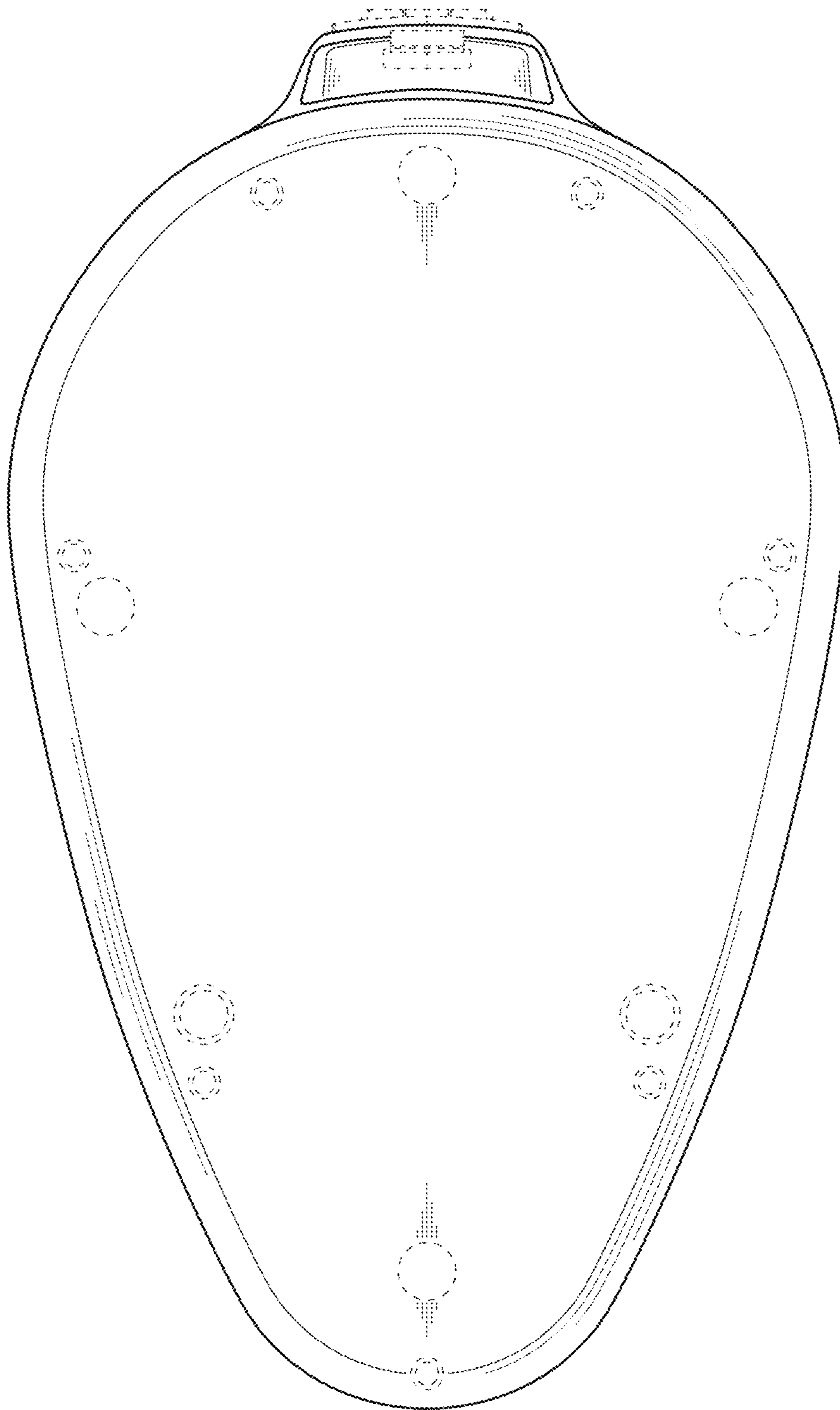


FIG. 8