

US00D894972S

(12) **United States Design Patent** (10) **Patent No.:** **US D894,972 S**
Sinn et al. (45) **Date of Patent:** **** Sep. 1, 2020**

- (54) **ADAPTER FOR A GROUND ENGAGING MACHINE IMPLEMENT**
- (71) Applicant: **Caterpillar Inc.**, Deerfield, IL (US)
- (72) Inventors: **Eric Sinn**, Tremont, IL (US); **Doug Serrurier**, Morton, IL (US); **Jason Jura**, Peoria, IL (US); **Corey Wells**, Peoria, IL (US)
- (73) Assignee: **Caterpillar Inc.**, Peoria, IL (US)
- (**) Term: **15 Years**
- (21) Appl. No.: **29/689,087**
- (22) Filed: **Apr. 26, 2019**
- (51) **LOC (12) Cl.** **15-03**
- (52) **U.S. Cl.**
USPC **D15/29**; D15/28
- (58) **Field of Classification Search**
USPC D15/11, 28, 29; 37/456, 452, 450, 446, 37/454, 449, 453, 455, 903; 403/379.5, 403/DIG. 1; 111/152; 172/724, 730, 172/766, 770, 771, 721, 713, 699, 772
CPC Y10T 29/49826; Y10T 403/589; Y10T 403/7018; Y10T 403/7075; E02F 9/28; E02F 9/2825; E02F 9/2833; E02F 9/2866; E02F 9/2858; E02F 9/2808; E02F 9/2841
See application file for complete search history.

- (56) **References Cited**
U.S. PATENT DOCUMENTS
D274,434 S * 6/1984 Nilsson D15/28
D275,859 S * 10/1984 Nilsson D15/28
6,871,426 B2 * 3/2005 Keech E02F 9/2825
37/456
D706,307 S * 6/2014 Renski D15/28
D707,264 S * 6/2014 Renski D15/28

- 8,943,717 B2 * 2/2015 Renski E02F 9/2808
37/452
D727,367 S * 4/2015 Renski D15/28
D727,368 S * 4/2015 Renski D15/29
D727,369 S * 4/2015 Renski D15/28
D727,979 S * 4/2015 Renski D15/29
D727,980 S * 4/2015 Renski D15/29
D727,981 S * 4/2015 Renski D15/29
D727,982 S * 4/2015 Renski D15/28
D728,635 S * 5/2015 Kunz D15/28
9,062,436 B2 6/2015 Renski et al.
D748,679 S * 2/2016 Renski D15/28
D748,681 S * 2/2016 Renski D15/28
D748,685 S * 2/2016 Kunz D15/28
D749,146 S * 2/2016 Renski D15/28
D749,147 S * 2/2016 Kunz D15/28
9,309,651 B2 4/2016 Jeske et al.
D774,108 S * 12/2016 Balan D15/28
D774,110 S * 12/2016 Balan D15/28
D774,565 S * 12/2016 Balan D15/28
D774,567 S * 12/2016 Balan D15/28
D775,241 S * 12/2016 Balan D15/28

(Continued)

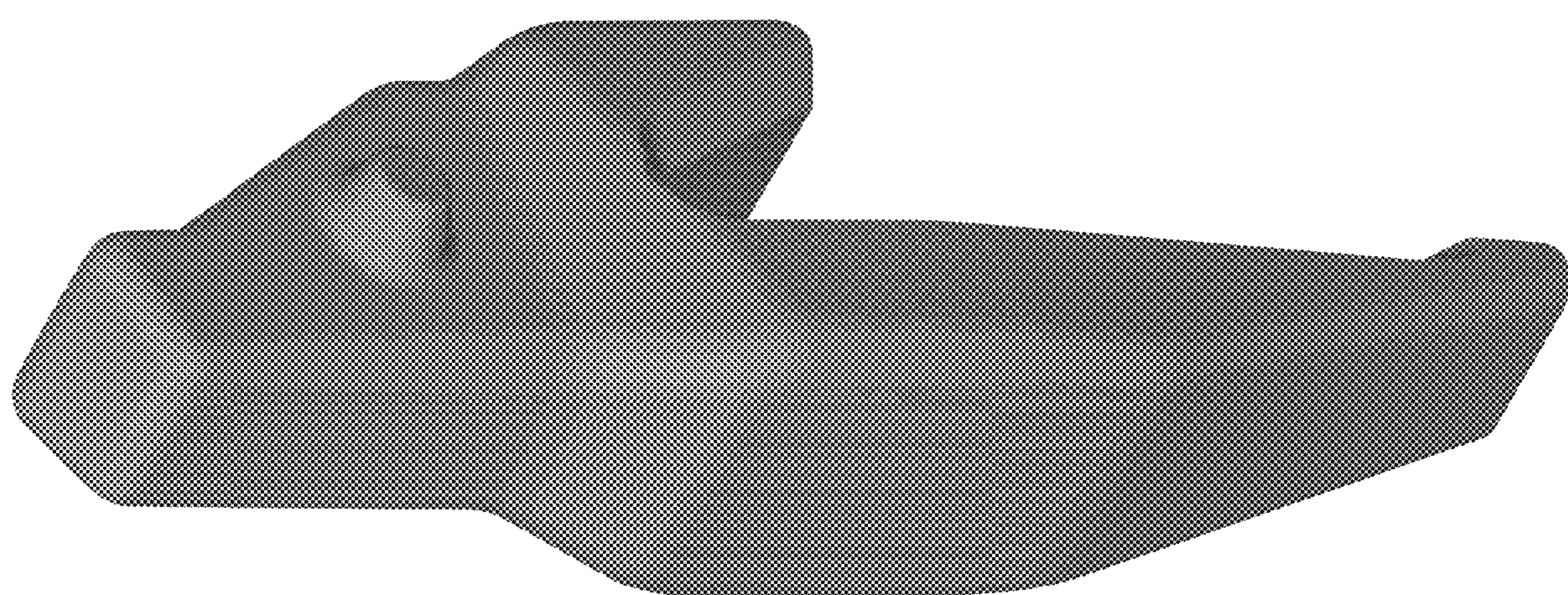
Primary Examiner — Mark A Goodwin
(74) Attorney, Agent, or Firm — Saidman Design Law Group

(57) **CLAIM**
The ornamental design for an adapter for a ground engaging machine implement, as shown and described.

DESCRIPTION

FIG. 1 is a perspective view of an adapter for a ground engaging machine implement showing our new design; FIG. 2 is a front view thereof; FIG. 3 is a rear view thereof; FIG. 4 is a left side view thereof; FIG. 5 is a right side view thereof; FIG. 6 is a top view thereof; and, FIG. 7 is a bottom view thereof. Grayscale shading illustrates contour.

1 Claim, 4 Drawing Sheets



(56)

References Cited

U.S. PATENT DOCUMENTS

D775,242	S *	12/2016	Balan	D15/28
D784,424	S *	4/2017	Renski	D15/28
D805,562	S *	12/2017	Serrurier	D15/29
D806,139	S *	12/2017	Serrurier	D15/29
D806,140	S *	12/2017	Serrurier	D15/29
D806,141	S *	12/2017	Serrurier	D15/29
D806,142	S *	12/2017	Serrurier	D15/29
D832,310	S *	10/2018	Balan	D15/29
D840,441	S *	2/2019	Serrurier	D15/29
D857,761	S *	8/2019	Balan	D15/29
D857,762	S *	8/2019	Kunz	D15/29
2004/0010949	A1 *	1/2004	Laguarda	E02F 9/2858 37/452
2012/0131821	A1 *	5/2012	Brufau Guinovart	C22C 29/005 37/452
2012/0260540	A1 *	10/2012	Guimaraes	E02F 9/2825 37/453
2013/0333254	A1 *	12/2013	Wallis	E02F 9/2825 37/456
2014/0259806	A1 *	9/2014	Rimmey	E02F 9/2891 37/455
2014/0259808	A1 *	9/2014	Lahood	E02F 9/2891 37/455
2015/0167278	A1 *	6/2015	Rivera	E02F 9/2875 37/452
2018/0171601	A1	6/2018	Serrurier et al.		

* cited by examiner

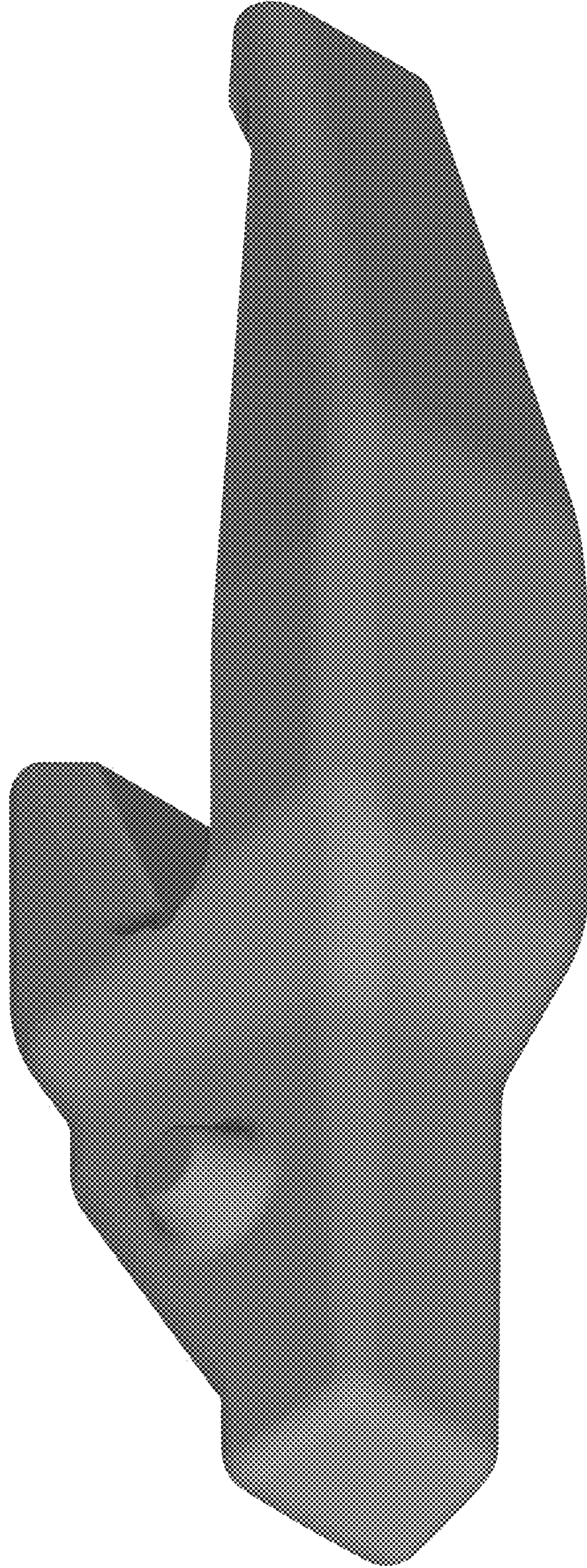


FIG. 1

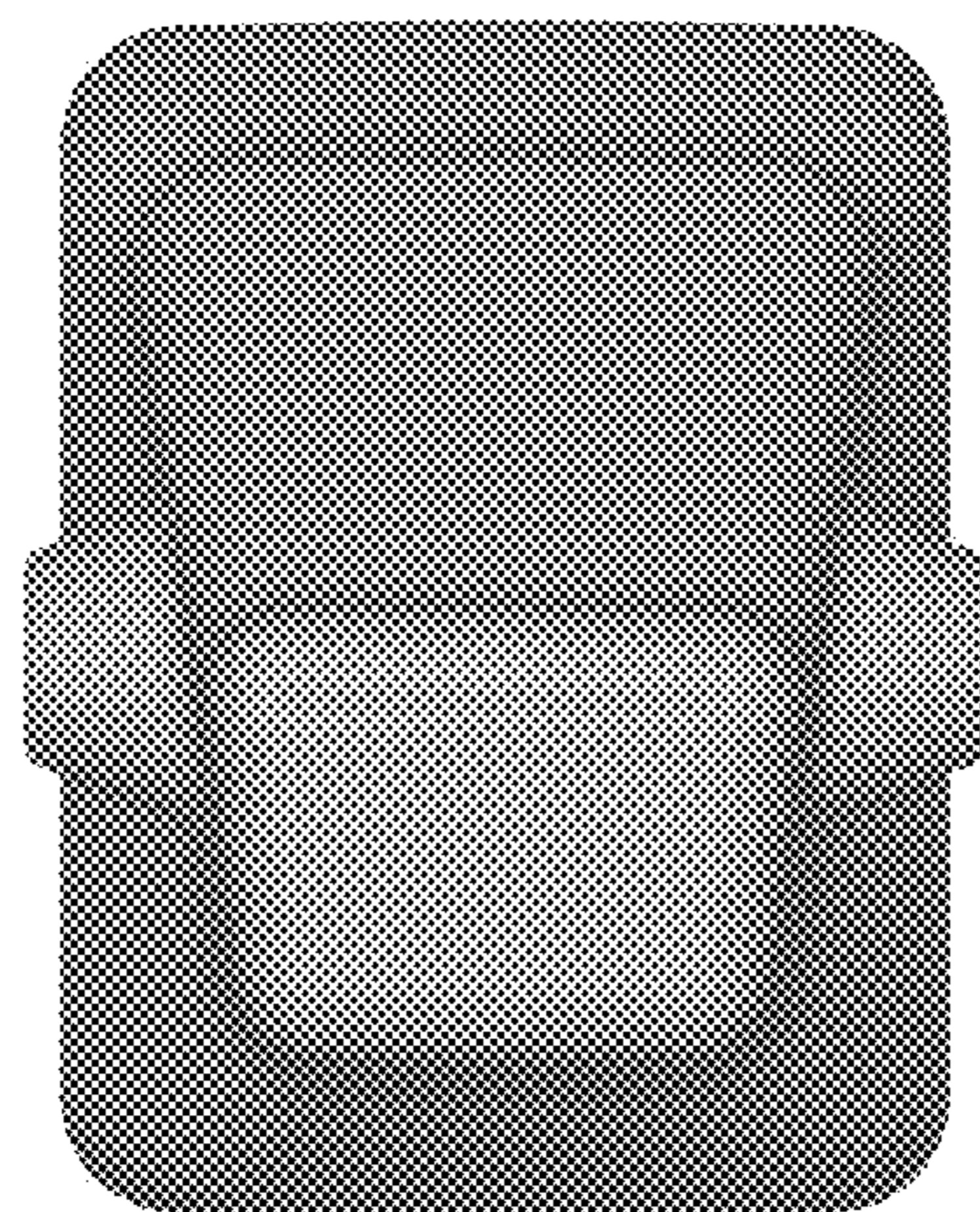


FIG. 2

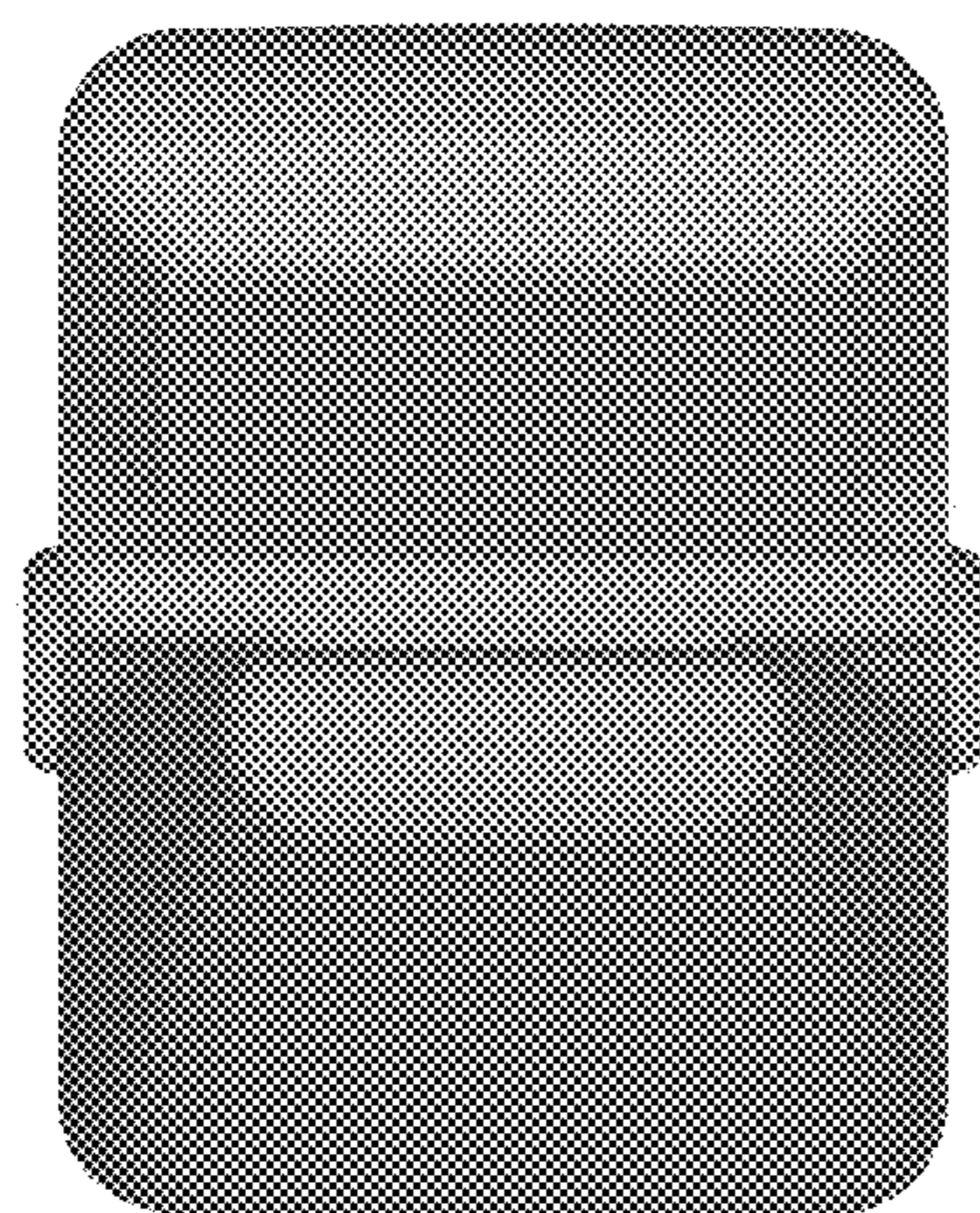


FIG. 3

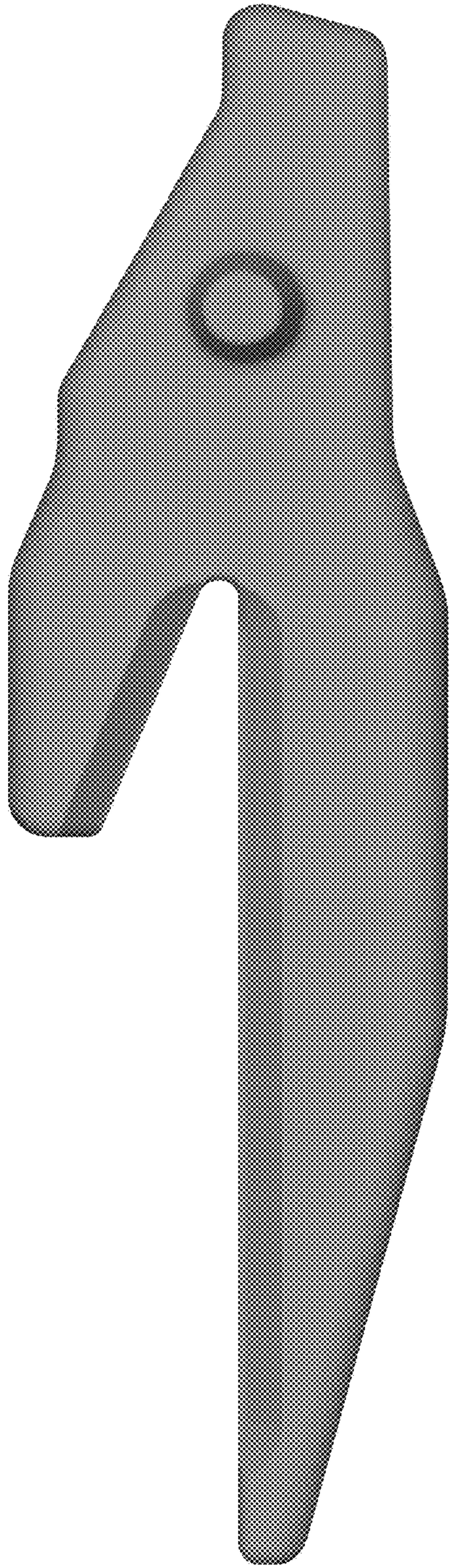


FIG. 4

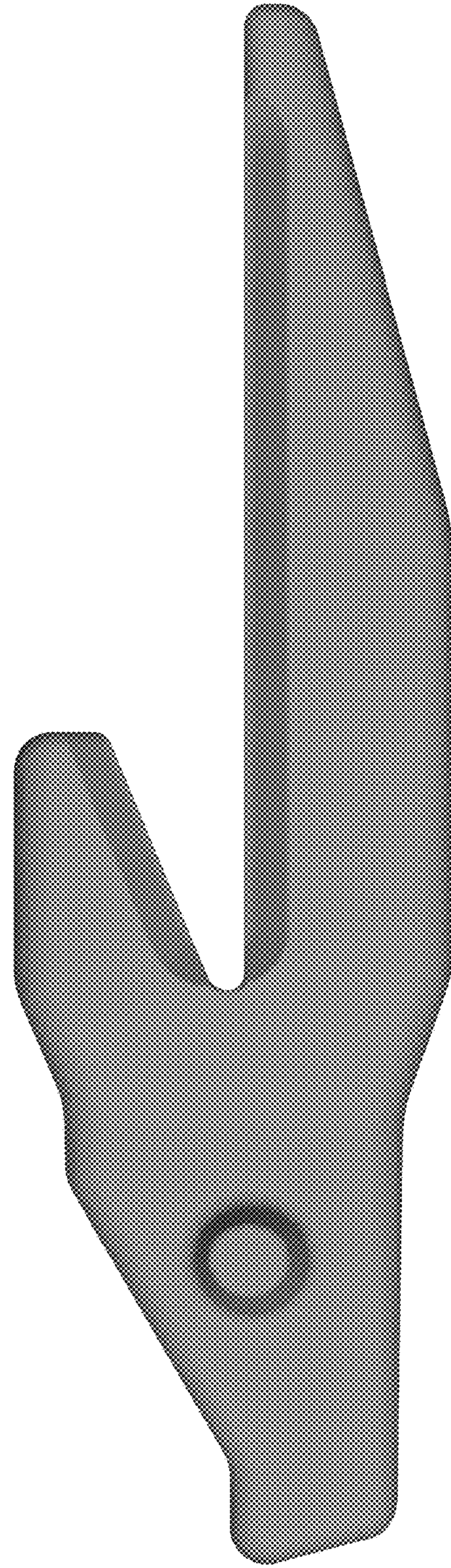


FIG. 5

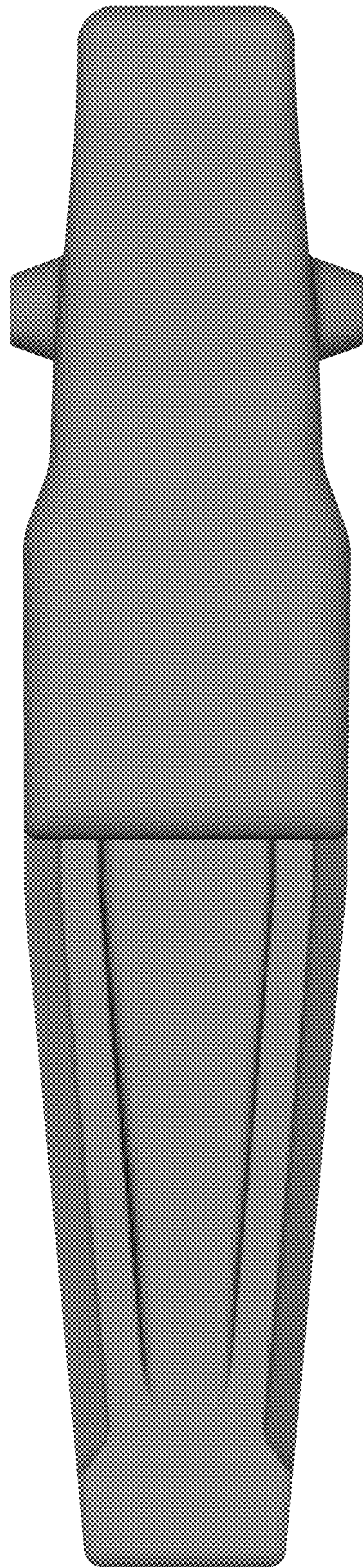


FIG. 6

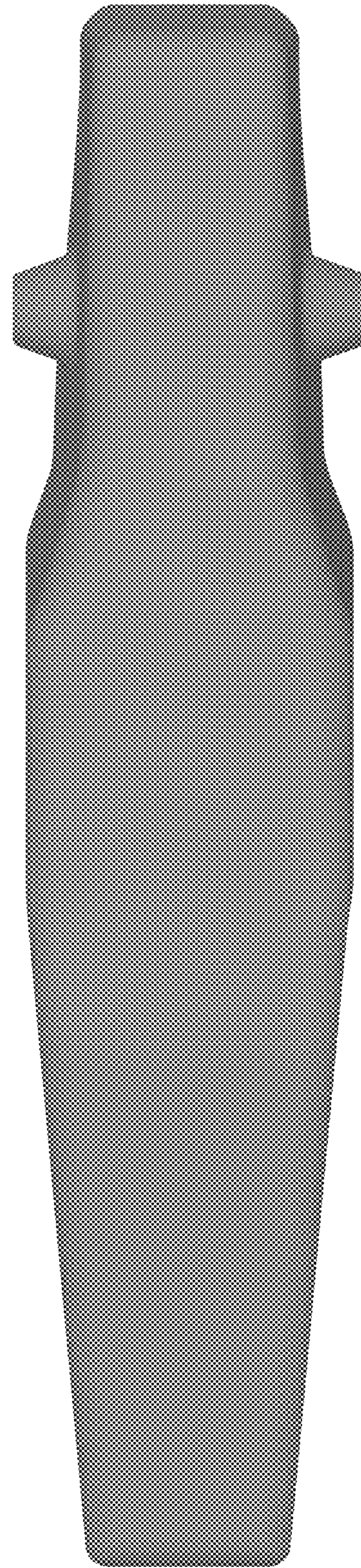


FIG. 7