

US00D894968S

(12) **United States Design Patent** (10) **Patent No.:** **US D894,968 S**  
**McCaffrey et al.** (45) **Date of Patent:** **\*\* Sep. 1, 2020**

(54) **ADAPTER FOR A GROUND ENGAGING MACHINE IMPLEMENT**

(71) Applicant: **Caterpillar Inc.**, Deerfield, IL (US)

(72) Inventors: **Brandon McCaffrey**, Peoria, IL (US);  
**Mihai Balan**, Oro Valley, AZ (US)

(73) Assignee: **Caterpillar Inc.**, Peoria, IL (US)

(\*\*) Term: **15 Years**

(21) Appl. No.: **29/688,801**

(22) Filed: **Apr. 24, 2019**

(51) **LOC (12) Cl.** ..... **15-03**

(52) **U.S. Cl.**  
USPC ..... **D15/29**; D15/28

(58) **Field of Classification Search**  
USPC ..... D15/11, 28, 29; 37/456, 452, 450, 446,  
37/454, 449, 453, 455, 903; 403/379.5,  
403/DIG. 1; 111/152; 172/724, 730,  
172/766, 770, 771, 721, 713, 699, 772  
CPC ..... Y10T 29/49826; Y10T 403/589; Y10T  
403/7018; Y10T 403/7075; E02F 9/28;  
E02F 9/2825; E02F 9/2833; E02F 9/2866;  
E02F 9/2858; E02F 9/2808; E02F 9/2841  
See application file for complete search history.

(56) **References Cited**

**U.S. PATENT DOCUMENTS**

D274,434 S *	6/1984	Nilsson	.....	D15/28
D275,859 S *	10/1984	Nilsson	.....	D15/28
6,871,426 B2 *	3/2005	Keech	.....	E02F 9/2825 37/456
8,307,574 B2	11/2012	Ruvang		
8,327,563 B2	12/2012	Dingwall et al.		
D706,307 S *	6/2014	Renski	.....	D15/28
D707,264 S *	6/2014	Renski	.....	D15/28
8,943,717 B2 *	2/2015	Renski	.....	E02F 9/2808 37/452
D727,367 S *	4/2015	Renski	.....	D15/28

D727,368 S *	4/2015	Renski	.....	D15/29
D727,369 S *	4/2015	Renski	.....	D15/28
D727,979 S *	4/2015	Renski	.....	D15/29
D727,980 S *	4/2015	Renski	.....	D15/29
D727,981 S *	4/2015	Renski	.....	D15/29
D727,982 S *	4/2015	Renski	.....	D15/28
D728,635 S *	5/2015	Kunz	.....	D15/28
D748,679 S *	2/2016	Renski	.....	D15/28
D748,681 S *	2/2016	Renski	.....	D15/28

(Continued)

**OTHER PUBLICATIONS**

U.S. Appl. No. 16/393,405, titled "Ground Engaging Tool Assembly With Adapter for Attaching Tip to Machine Implement", filed Apr. 24, 2019. (Unpublished).

(Continued)

*Primary Examiner* — Mark A Goodwin  
(74) *Attorney, Agent, or Firm* — Saidman Design Law Group

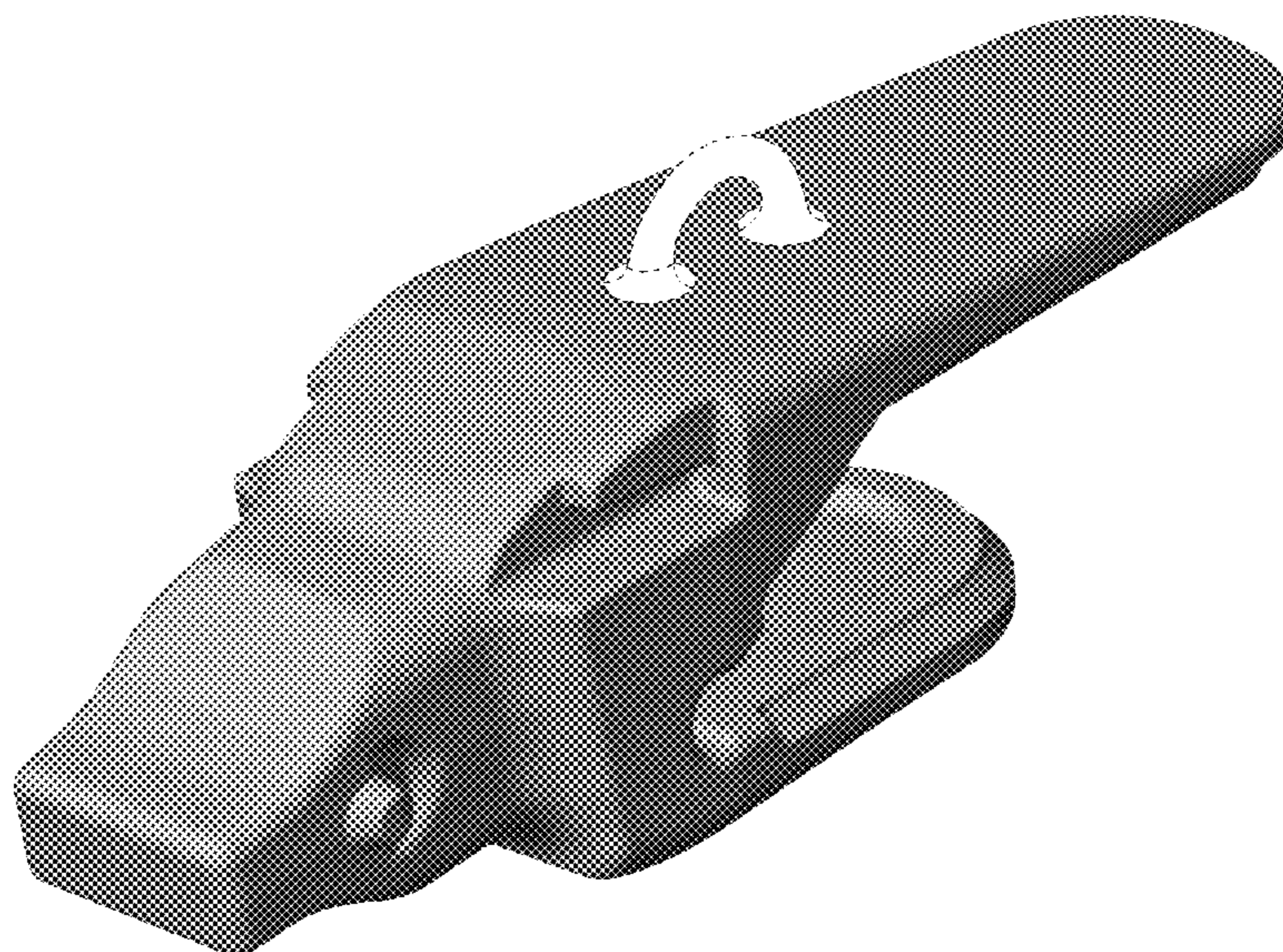
(57) **CLAIM**

The ornamental design for an adapter for a ground engaging machine implement, as shown and described.

**DESCRIPTION**

FIG. 1 is a front perspective view of an adapter for a ground engaging machine implement showing our new design; FIG. 2 is a front view thereof; FIG. 3 is a rear view thereof; FIG. 4 is a left side view thereof; FIG. 5 is a right side view thereof; FIG. 6 is a top view thereof; and, FIG. 7 is a bottom view thereof. Grayscale shading illustrates contour. The broken lines illustrate structure or features which form no part of the claimed design.

**1 Claim, 5 Drawing Sheets**



(56)

**References Cited**

U.S. PATENT DOCUMENTS

D748,685	S	*	2/2016	Kunz	.....	D15/28
D749,146	S	*	2/2016	Renski	.....	D15/28
D749,147	S	*	2/2016	Kunz	.....	D15/28
D774,108	S	*	12/2016	Balan	.....	D15/28
D774,110	S	*	12/2016	Balan	.....	D15/28
D774,565	S	*	12/2016	Balan	.....	D15/28
D774,567	S	*	12/2016	Balan	.....	D15/28
D775,241	S	*	12/2016	Balan	.....	D15/28
D775,242	S	*	12/2016	Balan	.....	D15/28
D784,424	S	*	4/2017	Renski	.....	D15/28
9,624,651	B2		4/2017	Renski et al.		
D805,562	S	*	12/2017	Serrurier	.....	D15/29
D806,139	S	*	12/2017	Serrurier	.....	D15/29
D806,140	S	*	12/2017	Serrurier	.....	D15/29
D806,141	S	*	12/2017	Serrurier	.....	D15/29
D806,142	S	*	12/2017	Serrurier	.....	D15/29
D832,310	S	*	10/2018	Balan	.....	D15/29
D840,441	S	*	2/2019	Serrurier	.....	D15/29
D857,761	S	*	8/2019	Balan	.....	D15/29
D857,762	S	*	8/2019	Kunz	.....	D15/29
2004/0010949	A1	*	1/2004	Laguarda	.....	E02F 9/2858 37/452

2012/0131821	A1	*	5/2012	Brufau Guinovart	.....	C22C 29/005 37/452
2012/0260540	A1	*	10/2012	Guimaraes	.....	E02F 9/2825 37/453
2013/0333254	A1	*	12/2013	Wallis	.....	E02F 9/2825 37/456
2014/0259806	A1	*	9/2014	Rimmey	.....	E02F 9/2891 37/455
2014/0259808	A1	*	9/2014	LaHood	.....	E02F 9/2891 37/455
2015/0167278	A1	*	6/2015	Rivera	.....	E02F 9/2875 37/452
2017/0328036	A1		11/2017	Bilal et al.		
2018/0080200	A1		3/2018	Hughes		

OTHER PUBLICATIONS

U.S. Appl. No. 16/393,458, titled "Ground Engaging Tool Assembly With Ground Engaging Tip", filed Apr. 24, 2019. (Unpublished).  
 U.S. Appl. No. 29/688,803, titled "Adapter for a Ground Engaging Machine Implement", filed Apr. 24, 2019, (Unpublished).

\* cited by examiner

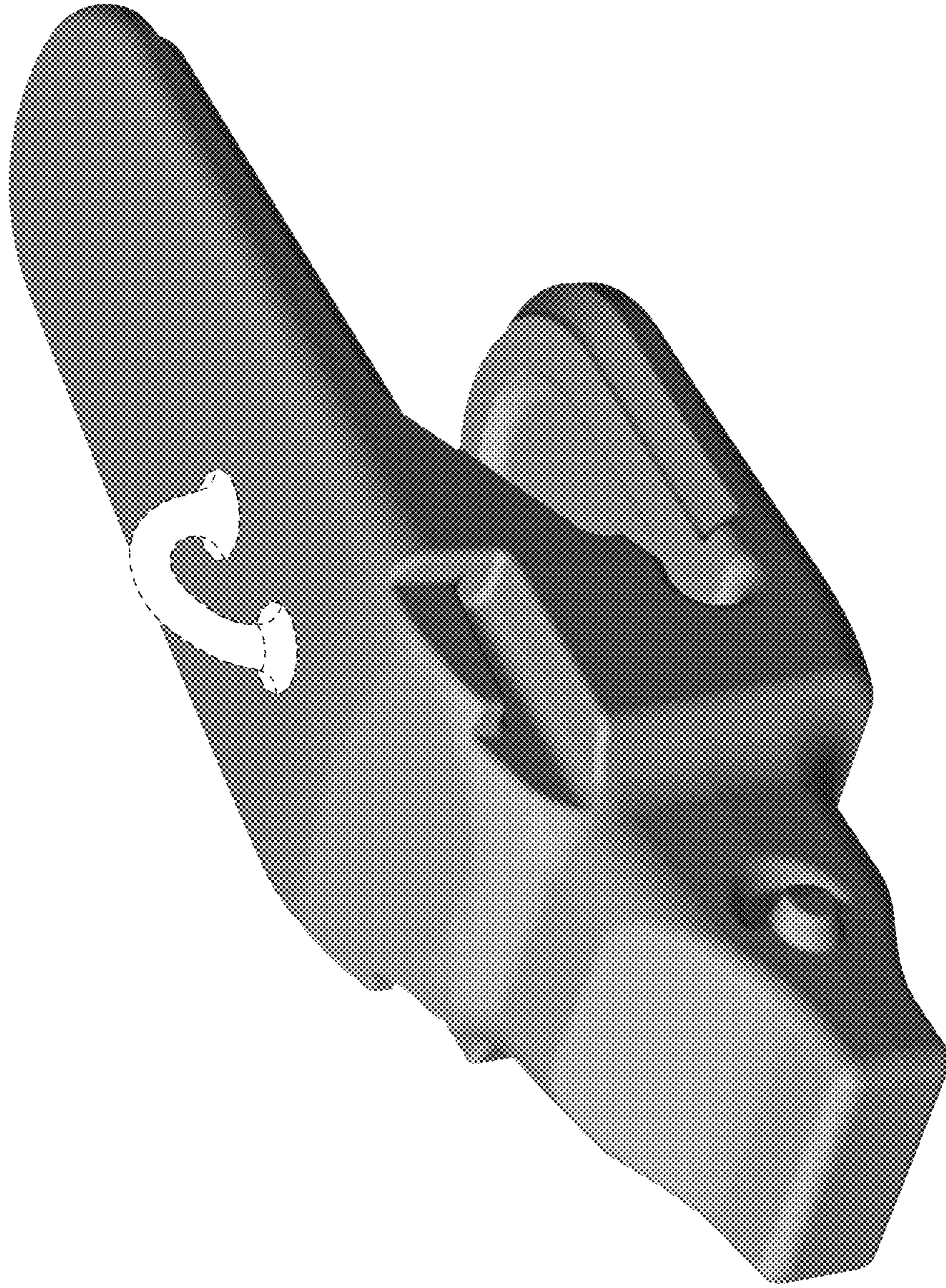


FIG. 1

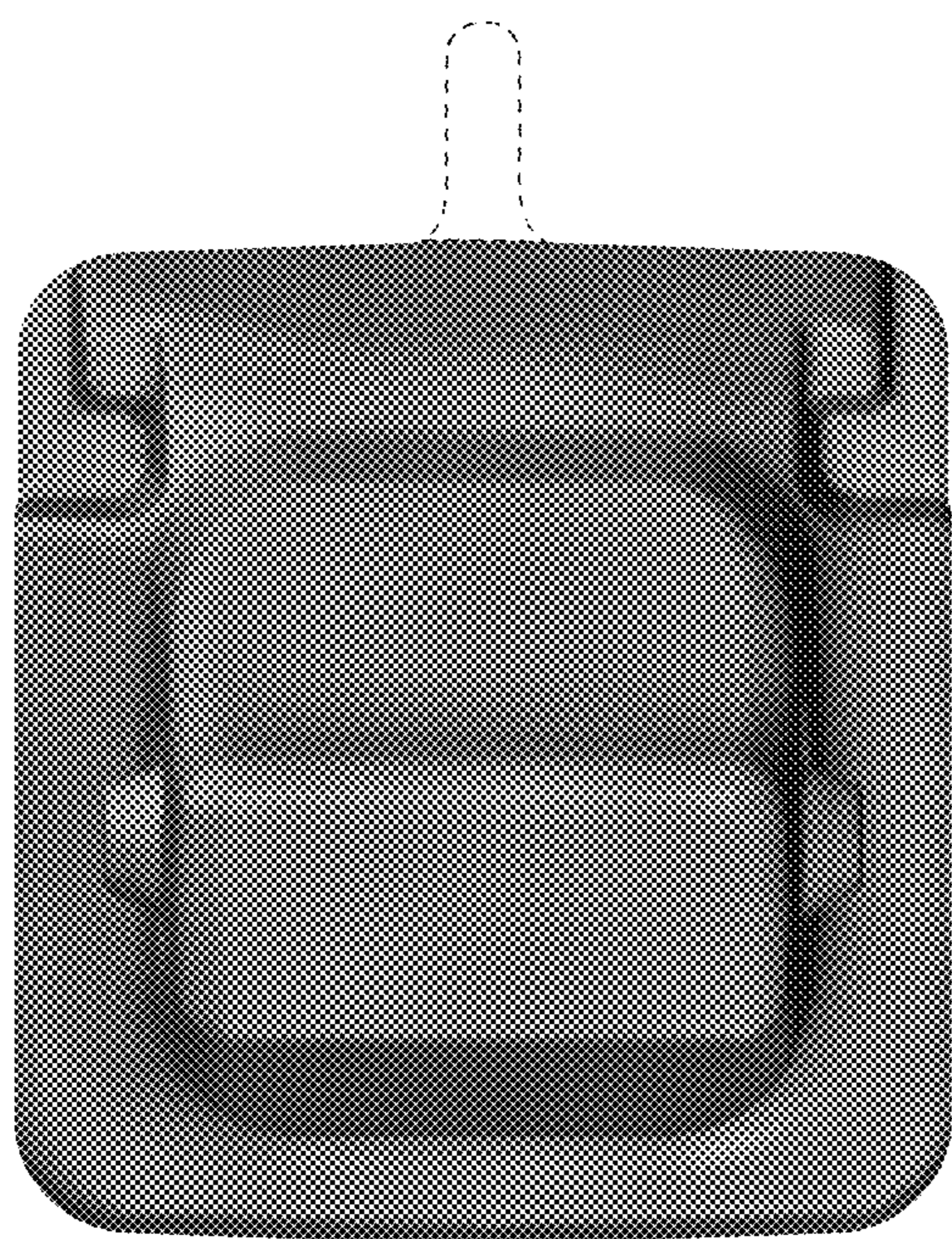


FIG. 2

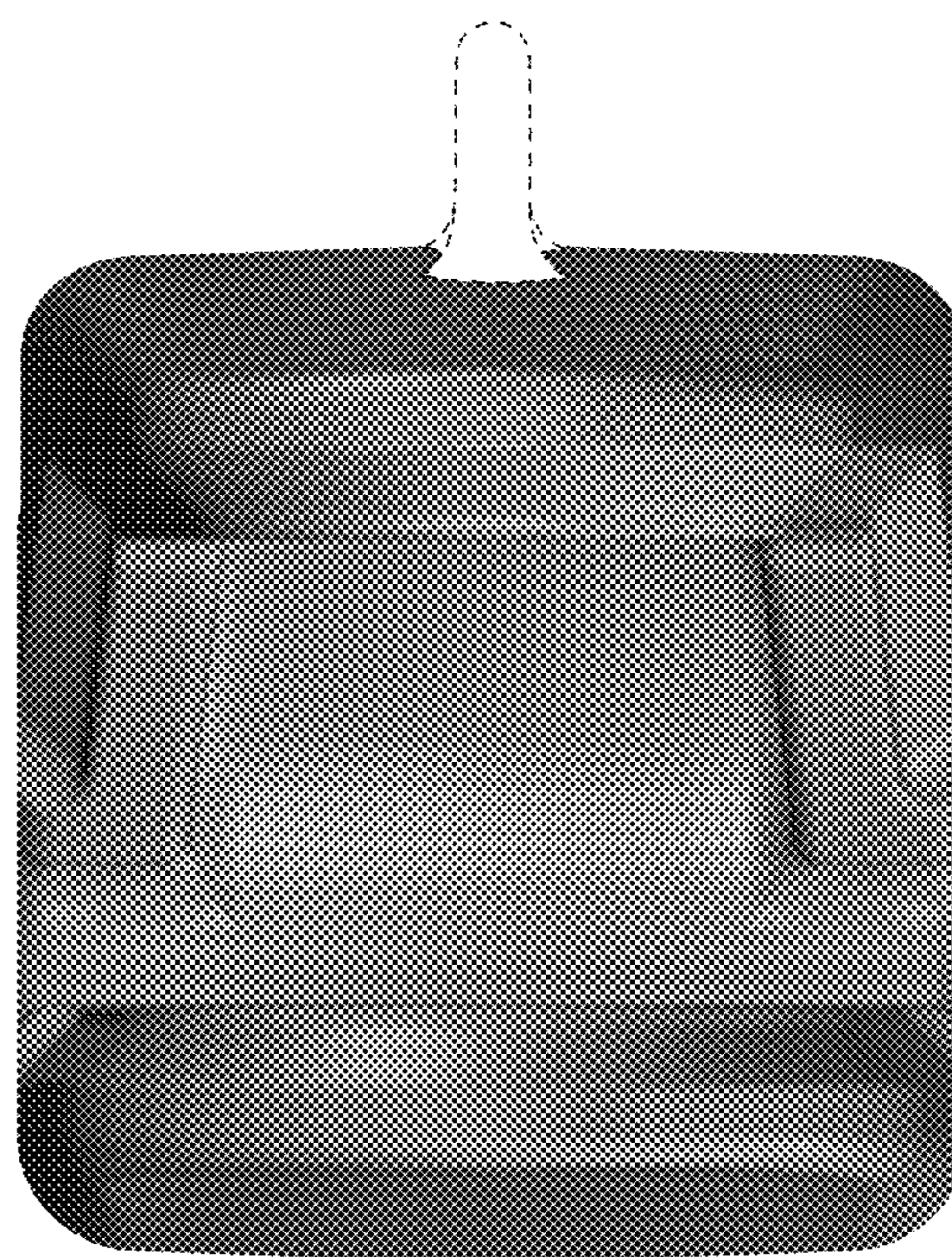


FIG. 3

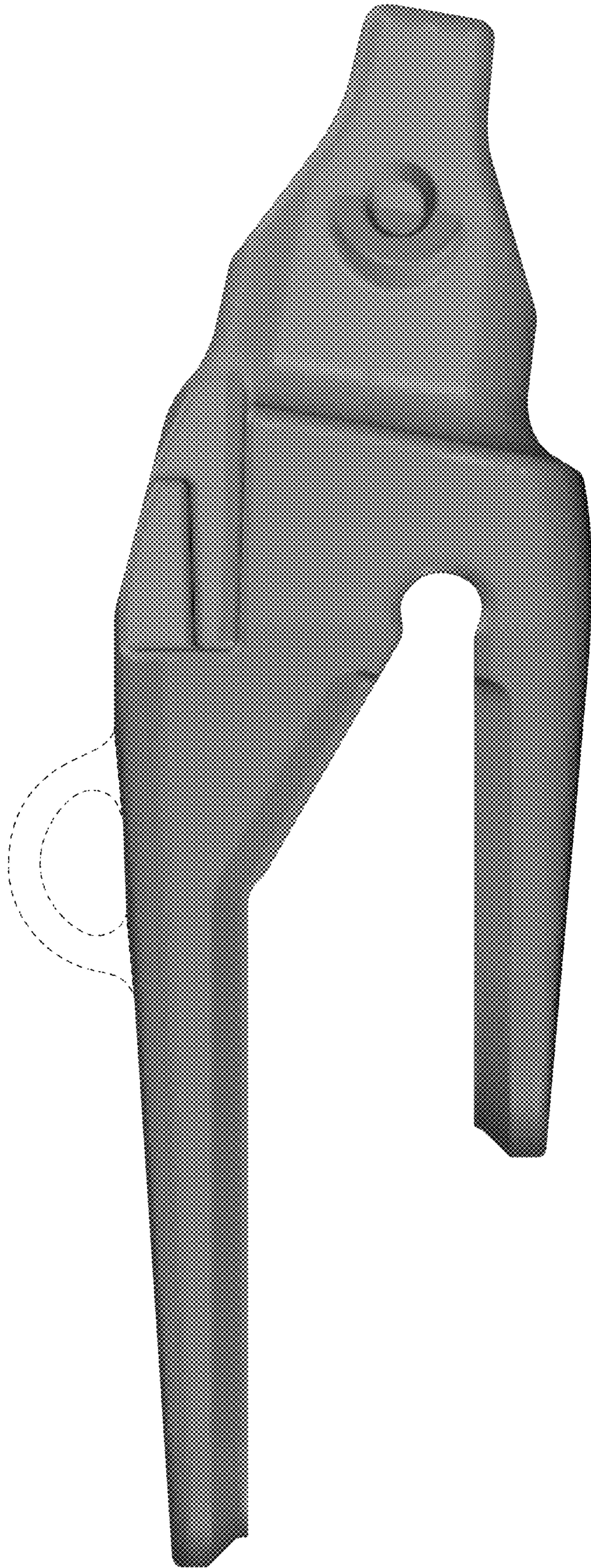


FIG. 4

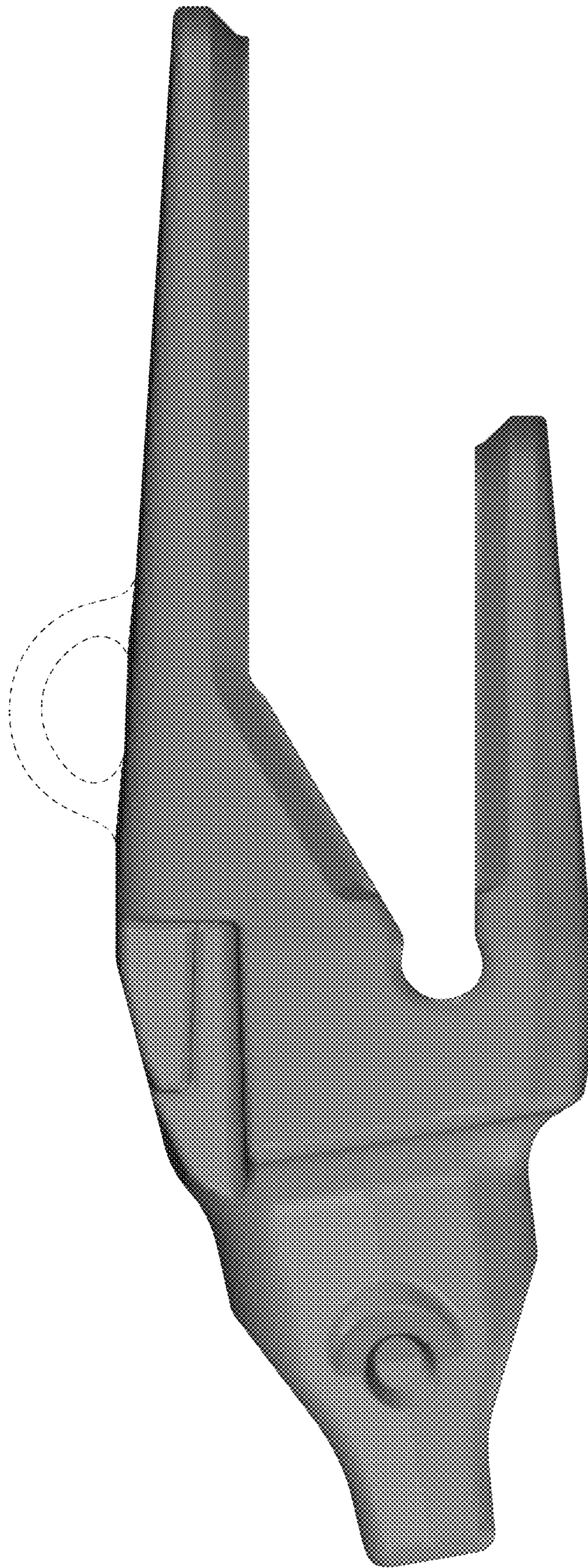


FIG. 5

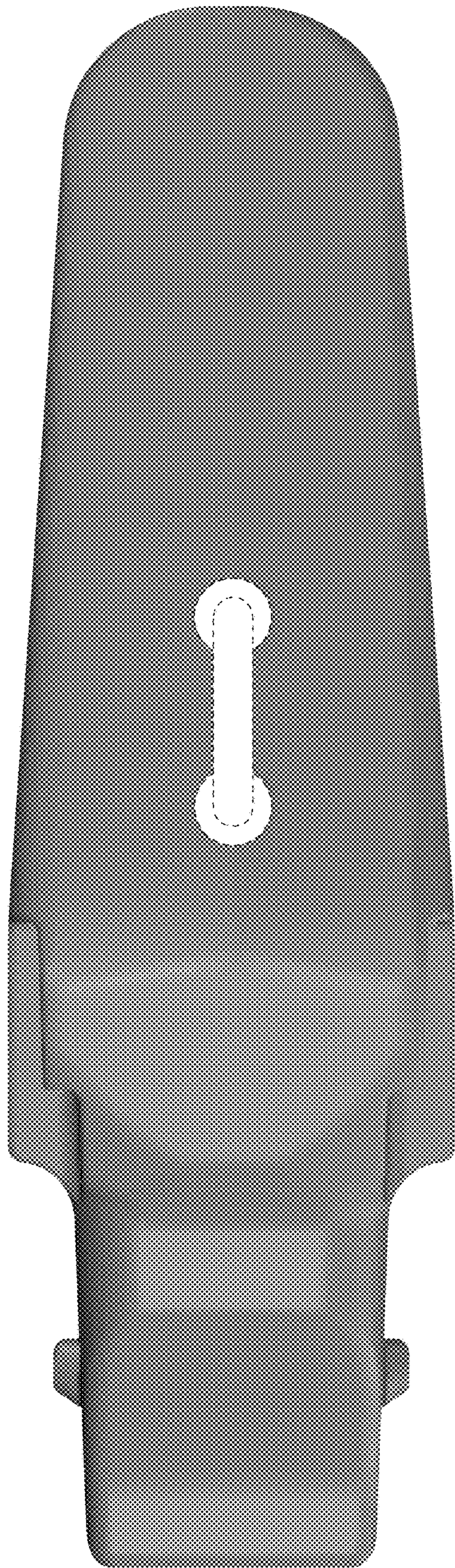


FIG. 6

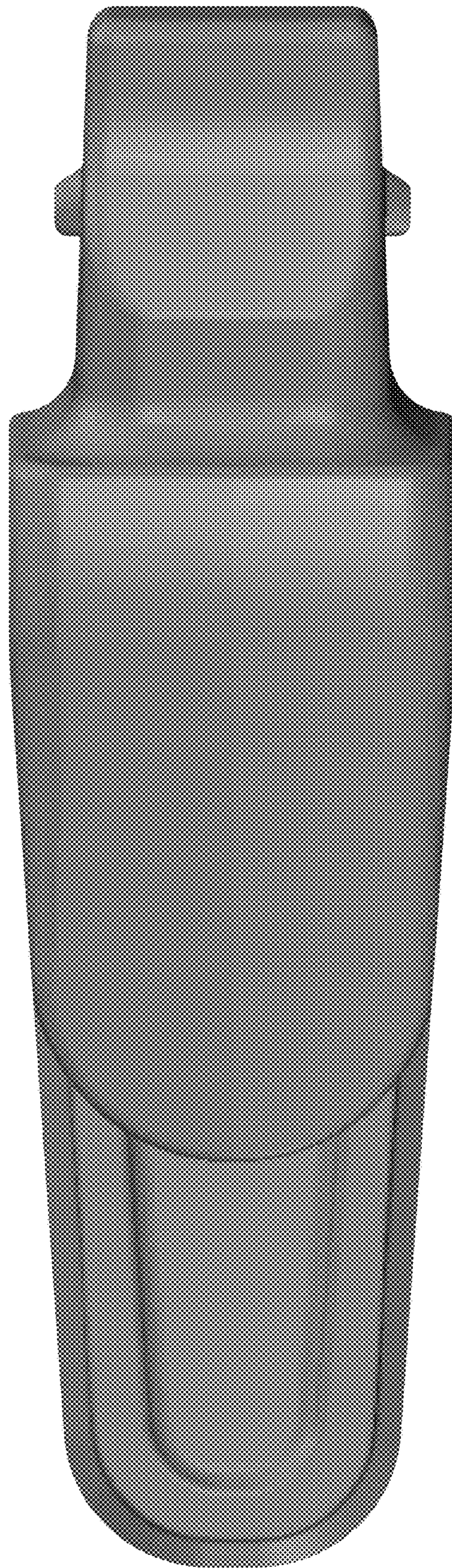


FIG. 7