



US00D894967S

(12) **United States Design Patent** (10) **Patent No.:** **US D894,967 S**  
**Loerch et al.** (45) **Date of Patent:** **\*\* Sep. 1, 2020**

(54) **COMPRESSOR**

(71) Applicant: **BITZER Kuehlmaschinenbau GmbH**, Sindelfingen (DE)

(72) Inventors: **Roni Loerch**, Neuenbuerg (DE); **Petra Sadlers**, Boeblingen (DE); **Patrick Merkt**, Rottenburg a.N. (DE)

(73) Assignee: **BITZER Kuehlmaschinenbau GmbH**, Sindelfingen (DE)

(\*\*) Term: **15 Years**

(21) Appl. No.: **29/658,622**

(22) Filed: **Aug. 1, 2018**

(30) **Foreign Application Priority Data**

Feb. 2, 2018 (EM) ..... 004691798  
Feb. 2, 2018 (EM) ..... 004691798-0001  
Feb. 2, 2018 (EM) ..... 004691798-0002

(51) **LOC (12) Cl.** ..... **15-02**

(52) **U.S. Cl.**  
USPC ..... **D15/9**

(58) **Field of Classification Search**  
USPC ..... D15/7-9; D23/231, 232, 225  
(Continued)

(56) **References Cited**

**U.S. PATENT DOCUMENTS**

D282,546 S \* 2/1986 Ozu ..... D15/9  
D293,461 S \* 12/1987 Chang ..... D23/207  
(Continued)

**OTHER PUBLICATIONS**

U.S. Appl. No. 29/539,144, filed Sep. 11, 2015, Christensen.  
(Continued)

*Primary Examiner* — Patricia A Palasik

(74) *Attorney, Agent, or Firm* — Reinhart Boerner Van Deuren P.C.

(57) **CLAIM**

We claim the ornamental design for a compressor, as shown and described.

**DESCRIPTION**

The design application contains at least one drawing executed in color. Copies of this design application publication with color drawings will be provided by the Office upon request and payment of the necessary fee.

FIG. 1 is a perspective view from the front and left hand side of a compressor in accordance with an embodiment of the present invention;

FIG. 2 is a front view of the compressor shown in FIG. 1;

FIG. 3 is a rear view of the compressor shown in FIG. 1;

FIG. 4 is a top view of the compressor shown in FIG. 1;

FIG. 5 is a bottom view of the compressor shown in FIG. 1;

FIG. 6 is a left side view of the compressor shown in FIG. 1;

FIG. 7 is a right side view of the compressor shown in FIG. 1;

FIG. 8 is a perspective view from the front and left hand side of a compressor in accordance with another embodiment of the present invention that is similar to that of the first embodiment but illustrated with color drawings and markings;

FIG. 9 is a front view of the compressor shown in FIG. 8;

FIG. 10 is a rear view of the compressor shown in FIG. 8;

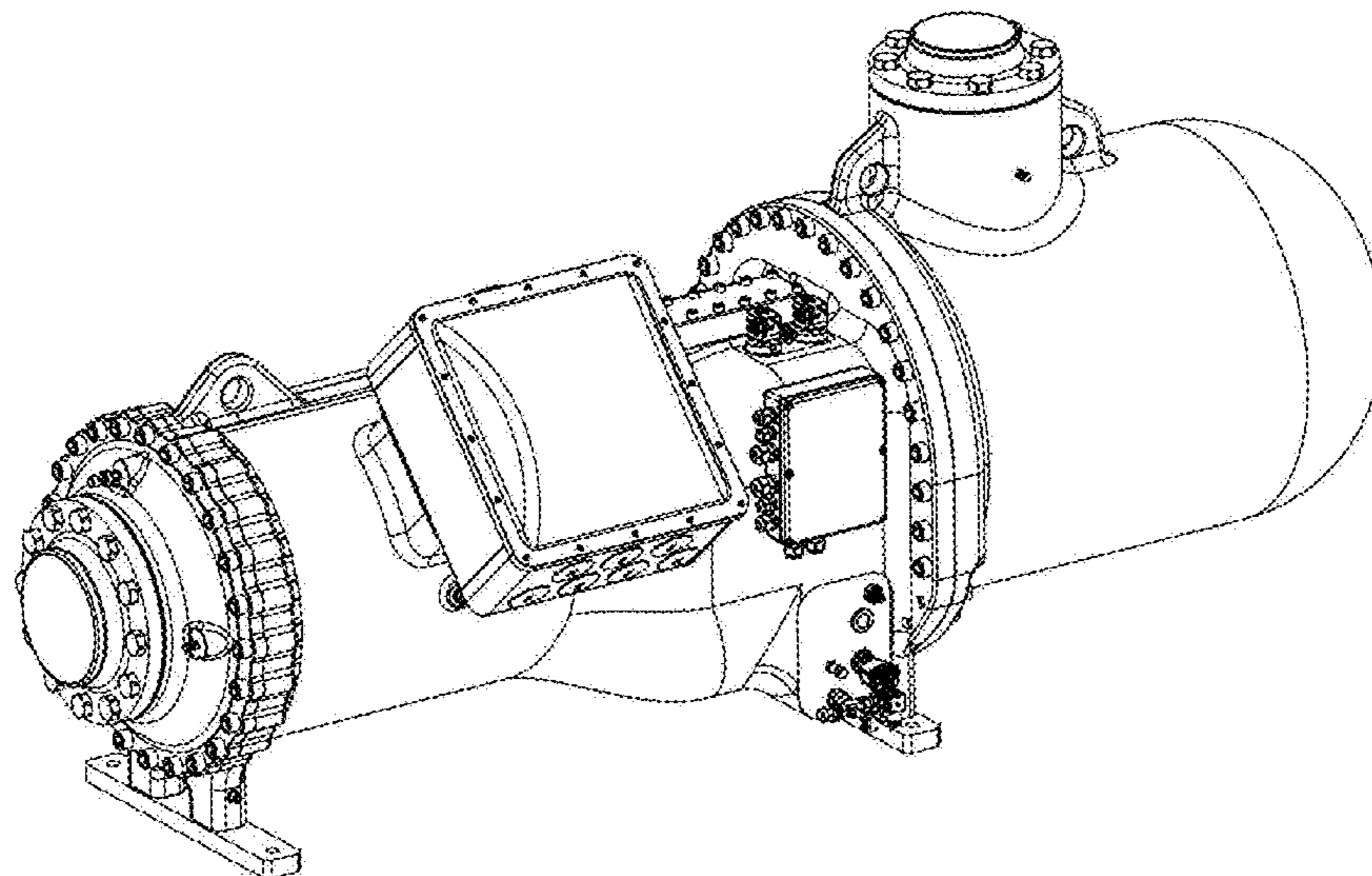
FIG. 11 is a top view of the compressor shown in FIG. 8;

FIG. 12 is a bottom view of the compressor shown in FIG. 8;

FIG. 13 is a left side view of the compressor shown in FIG. 8; and,

FIG. 14 is a right side view of the compressor shown in FIG. 8.

**1 Claim, 14 Drawing Sheets**  
**(7 of 14 Drawing Sheet(s) Filed in Color)**



(58) **Field of Classification Search**  
 CPC ..... F02M 37/04; F02M 37/14; F04B 53/92;  
 F04B 1/005; F04D 13/06; F04D 29/22;  
 F04D 29/046; F04D 29/2266  
 See application file for complete search history.

(56) **References Cited**

U.S. PATENT DOCUMENTS

D373,366 S	*	9/1996	Wada	.....	D15/7
D394,068 S		5/1998	Pollich et al.		
D435,856 S	*	1/2001	Kato	.....	D15/9
D441,377 S	*	5/2001	Kawaguchi	.....	D15/9
D466,523 S	*	12/2002	Saito	.....	D15/9
D467,254 S		12/2002	Ullrich		
D479,247 S		9/2003	Ullrich		
D485,565 S	*	1/2004	Martinello	.....	D15/7
D531,194 S	*	10/2006	Hertenstein	.....	D15/9
D538,826 S		3/2007	Kienzle		
D539,308 S	*	3/2007	Moser	.....	D15/9
D595,748 S		7/2009	Kratschmer		
D668,684 S	*	10/2012	Noguchi	.....	D15/9
D684,197 S		6/2013	Kienzle et al.		
D690,324 S	*	9/2013	Kienzle	.....	D15/9

D709,524 S		7/2014	Ohser et al.		
D717,344 S		11/2014	Ohser et al.		
D732,641 S		6/2015	Hermann		
D733,764 S		7/2015	Ohser		
D735,244 S	*	7/2015	Jeong	.....	D15/9
D745,896 S	*	12/2015	Ohser	.....	D15/9
D754,557 S	*	4/2016	Wang	.....	D11/9
D754,754 S	*	4/2016	Wang	.....	D15/9
D761,326 S	*	7/2016	Kienzle	.....	D15/9
D763,323 S		8/2016	Mikulic		
D777,213 S		1/2017	Ohser		
D777,794 S		1/2017	Wipper et al.		
D829,711 S		10/2018	Akana et al.		
D829,771 S	*	10/2018	Loerch	.....	D15/9
D840,438 S	*	2/2019	Mikulic	.....	D15/9
D842,341 S	*	3/2019	Shin	.....	D15/9
D868,841 S	*	12/2019	Zaytsev	.....	D15/9
D870,158 S	*	12/2019	Yang	.....	D15/9

OTHER PUBLICATIONS

U.S. Appl. No. 29/616,611, filed Sep. 7, 2017, Mikesch et al.  
 U.S. Appl. No. 29/618,442, filed Sep. 21, 2017, Mikulic et al.  
 U.S. Appl. No. 29/656,442, filed Jul. 12, 2018, Wipper et al.

\* cited by examiner

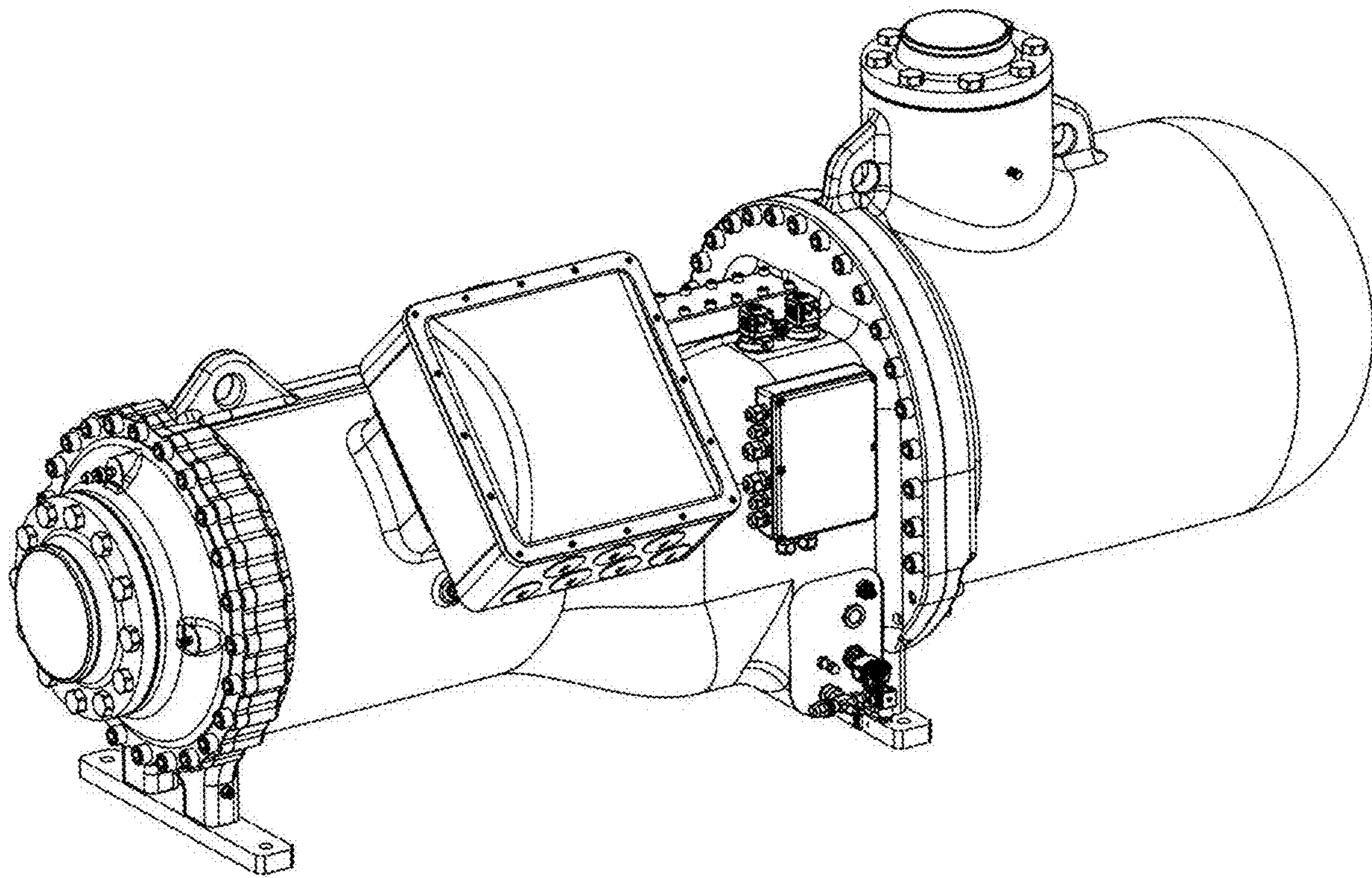


Fig. 1

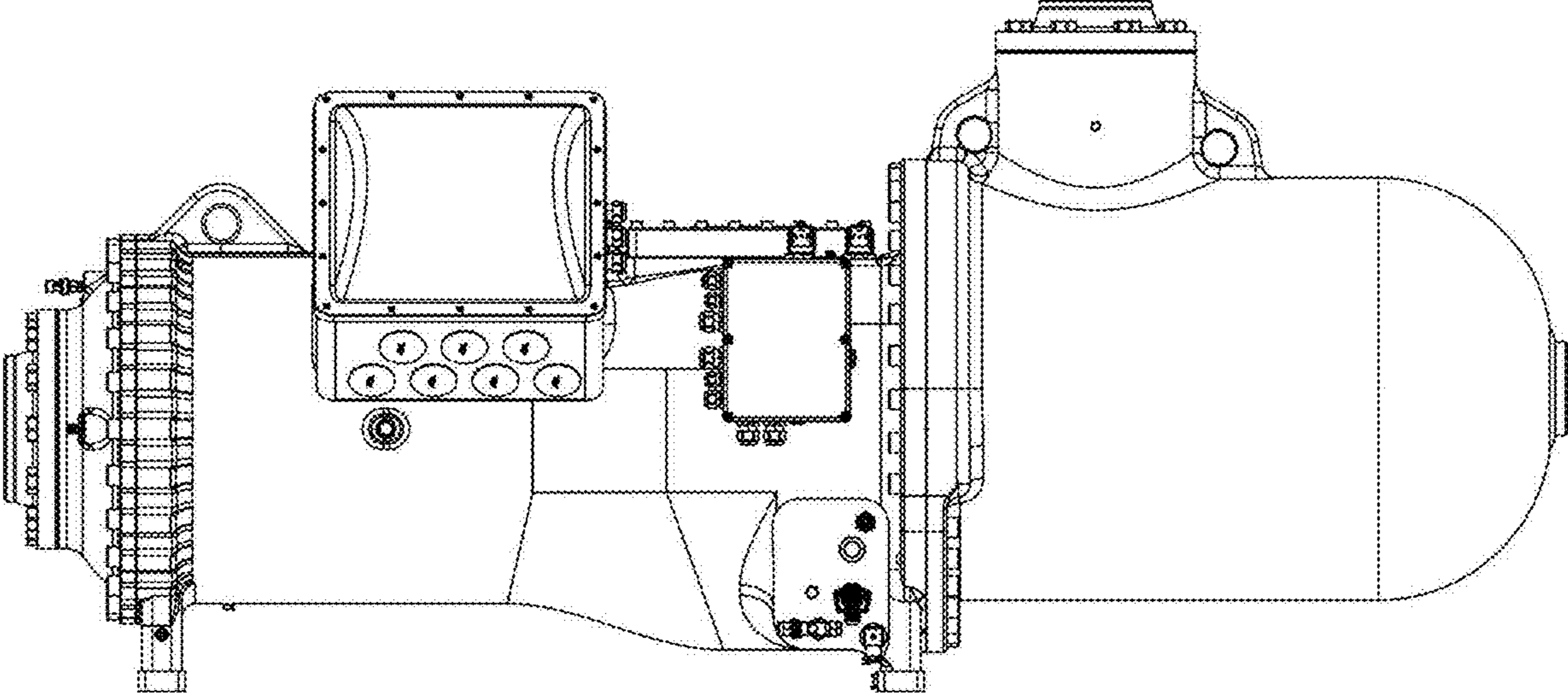


Fig. 2

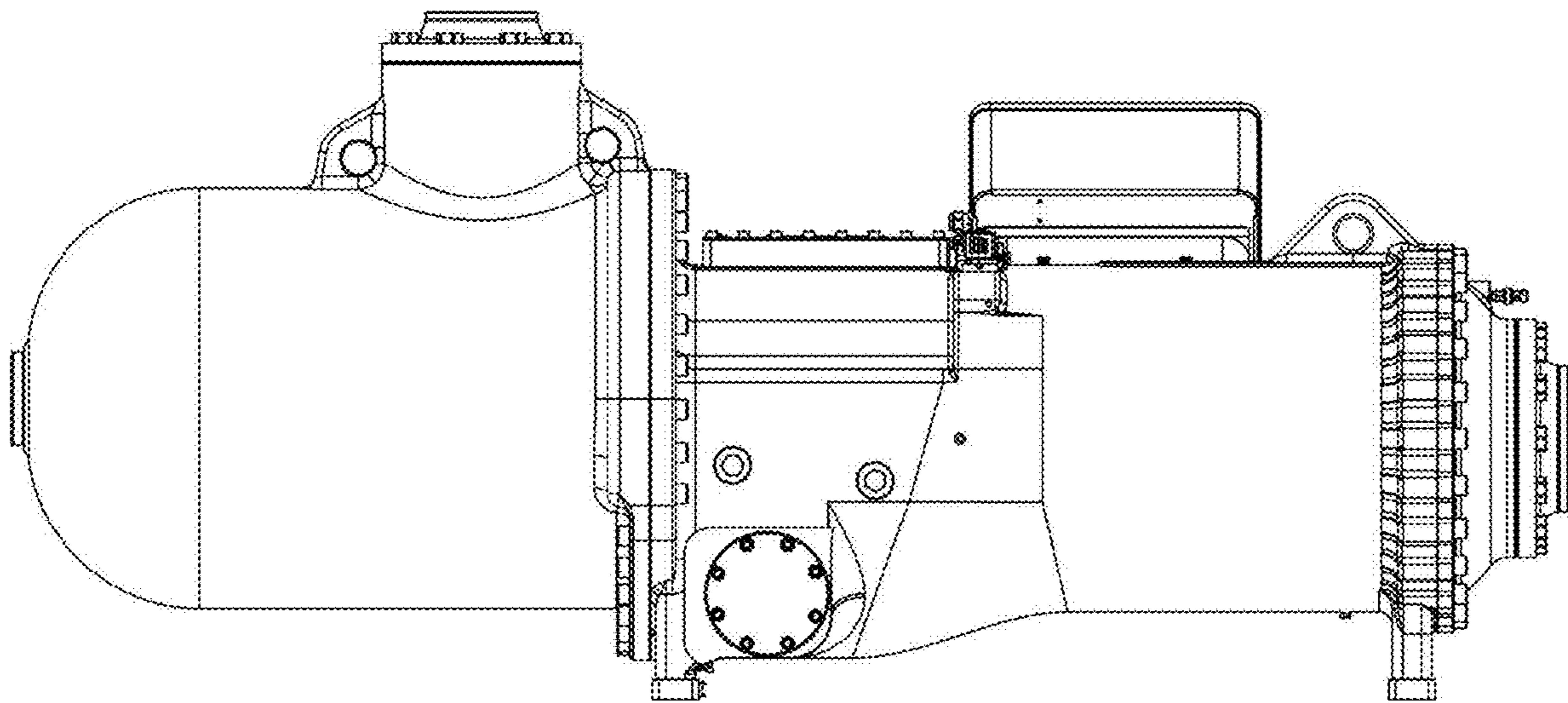


Fig. 3

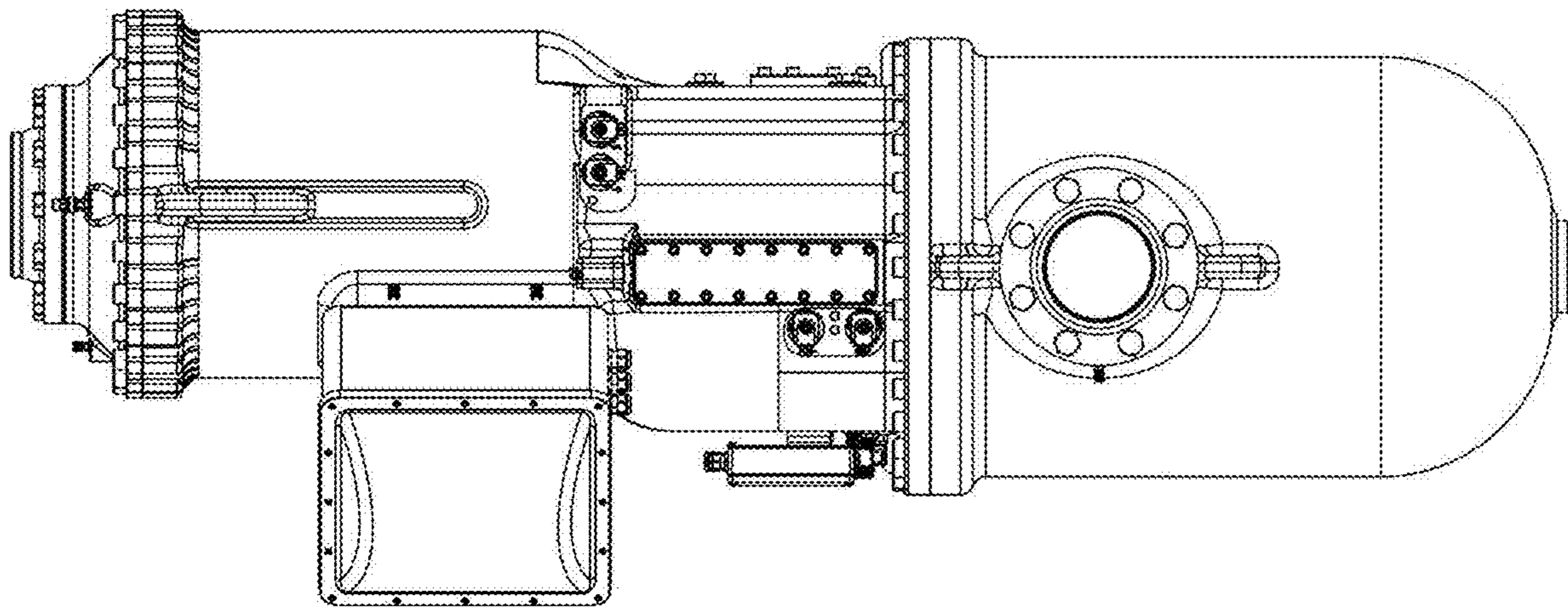


Fig. 4

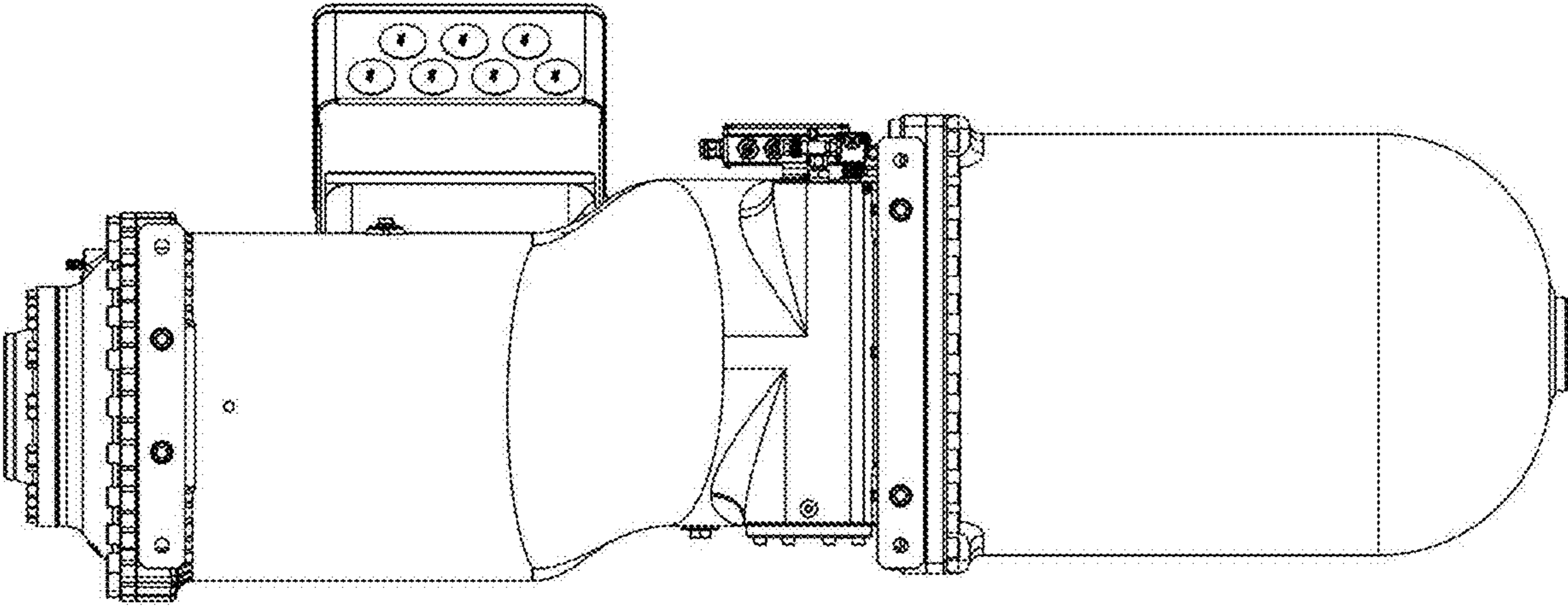


Fig. 5

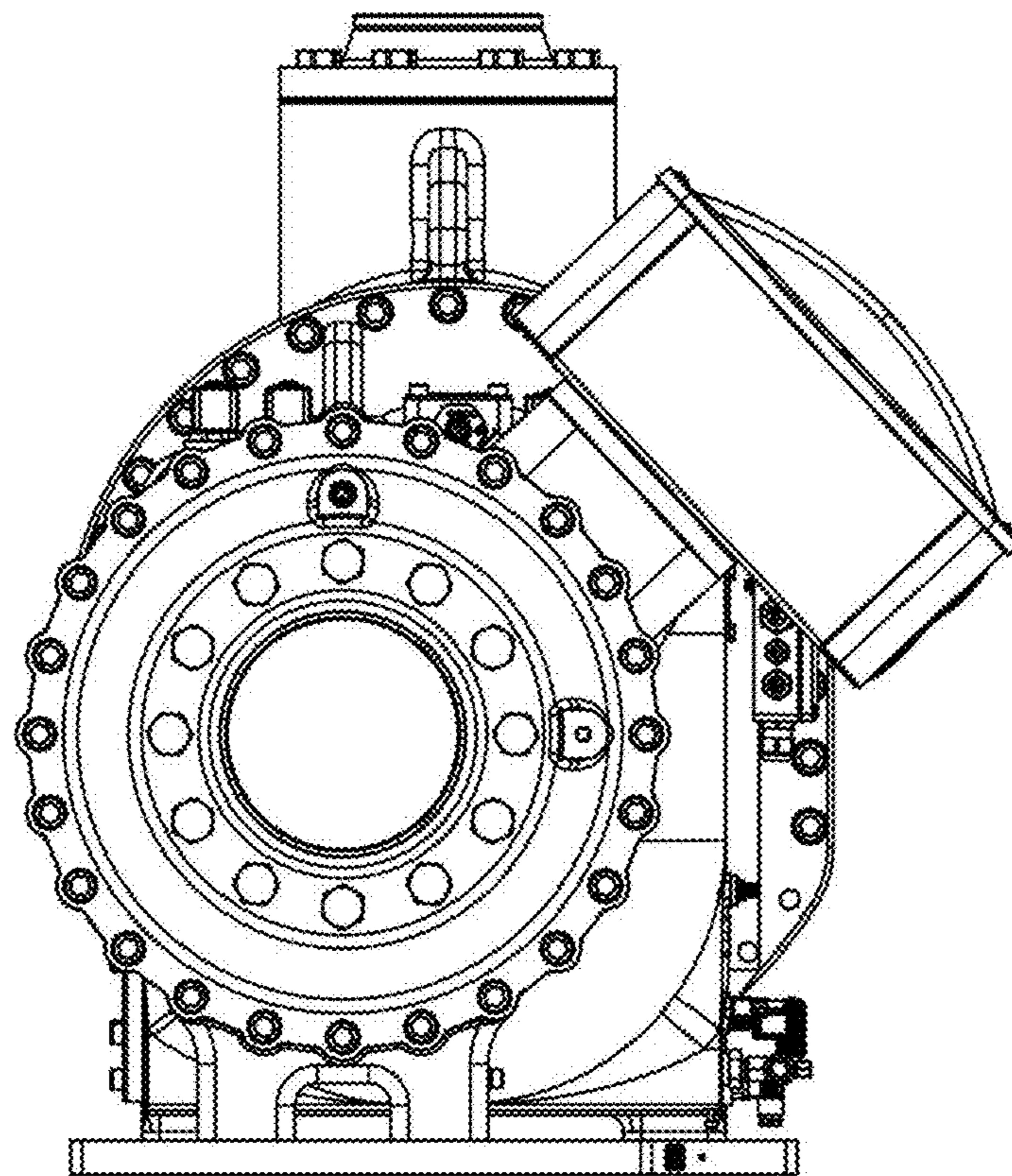


Fig. 6



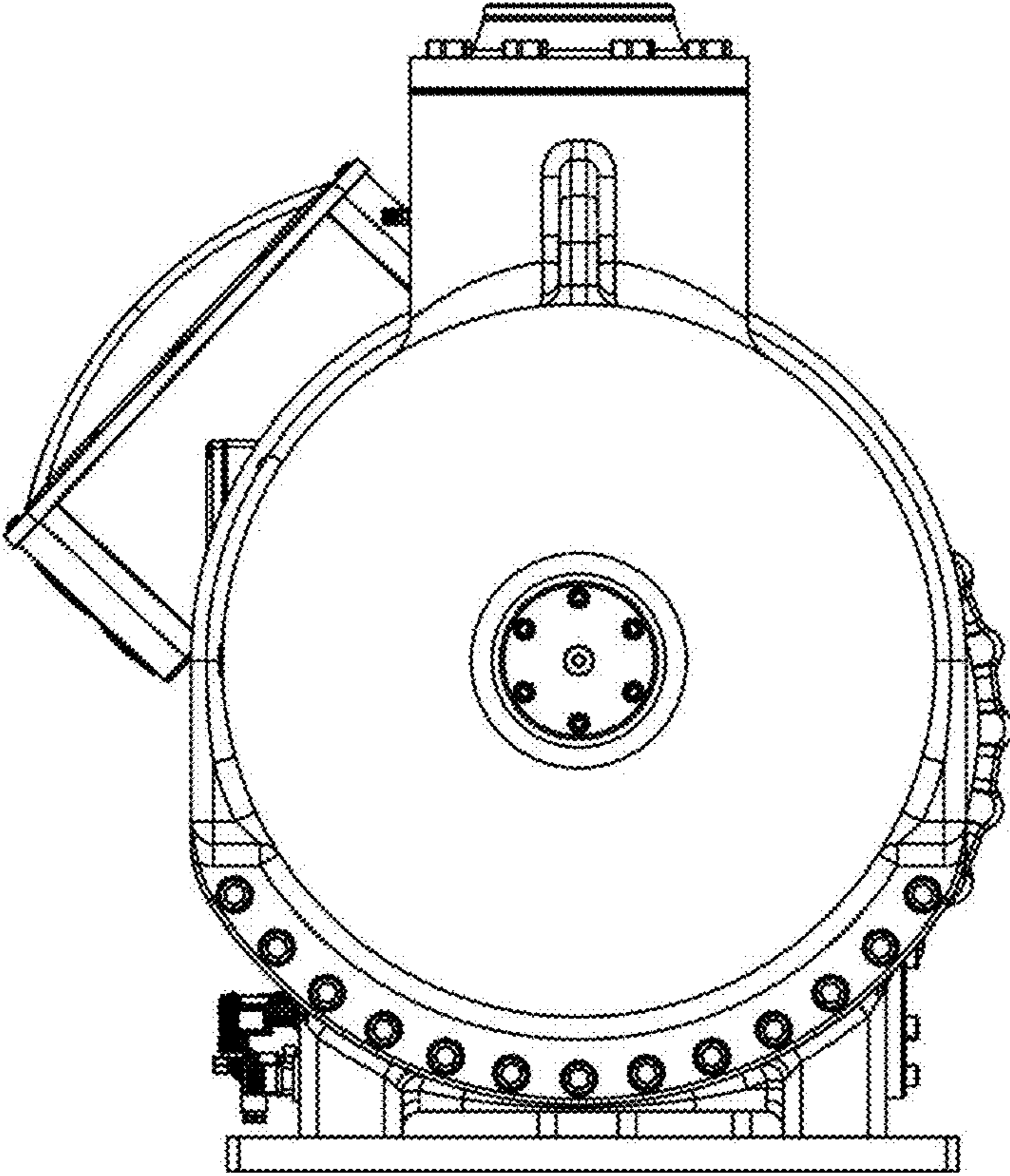


Fig. 7

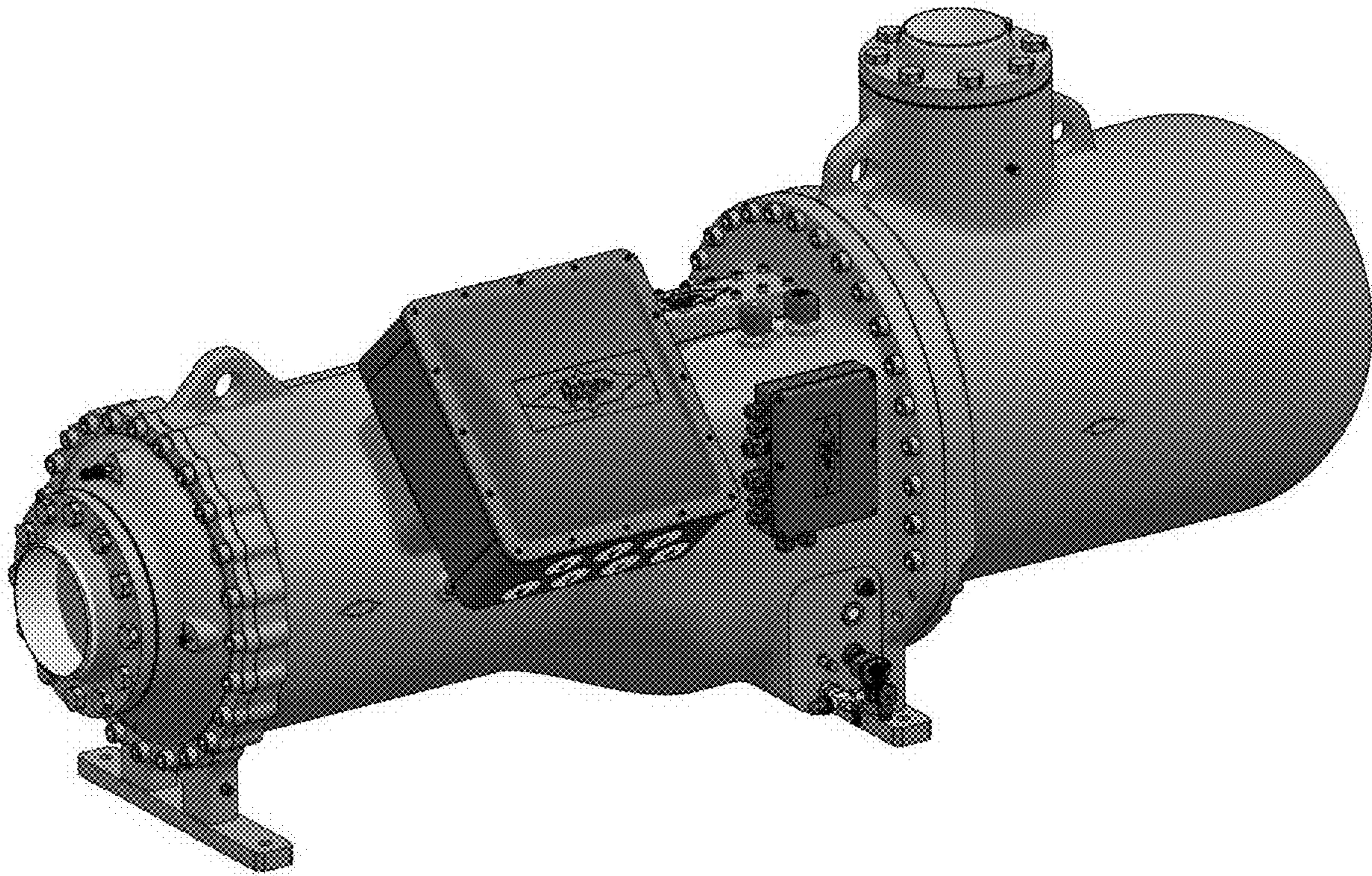


Fig. 8

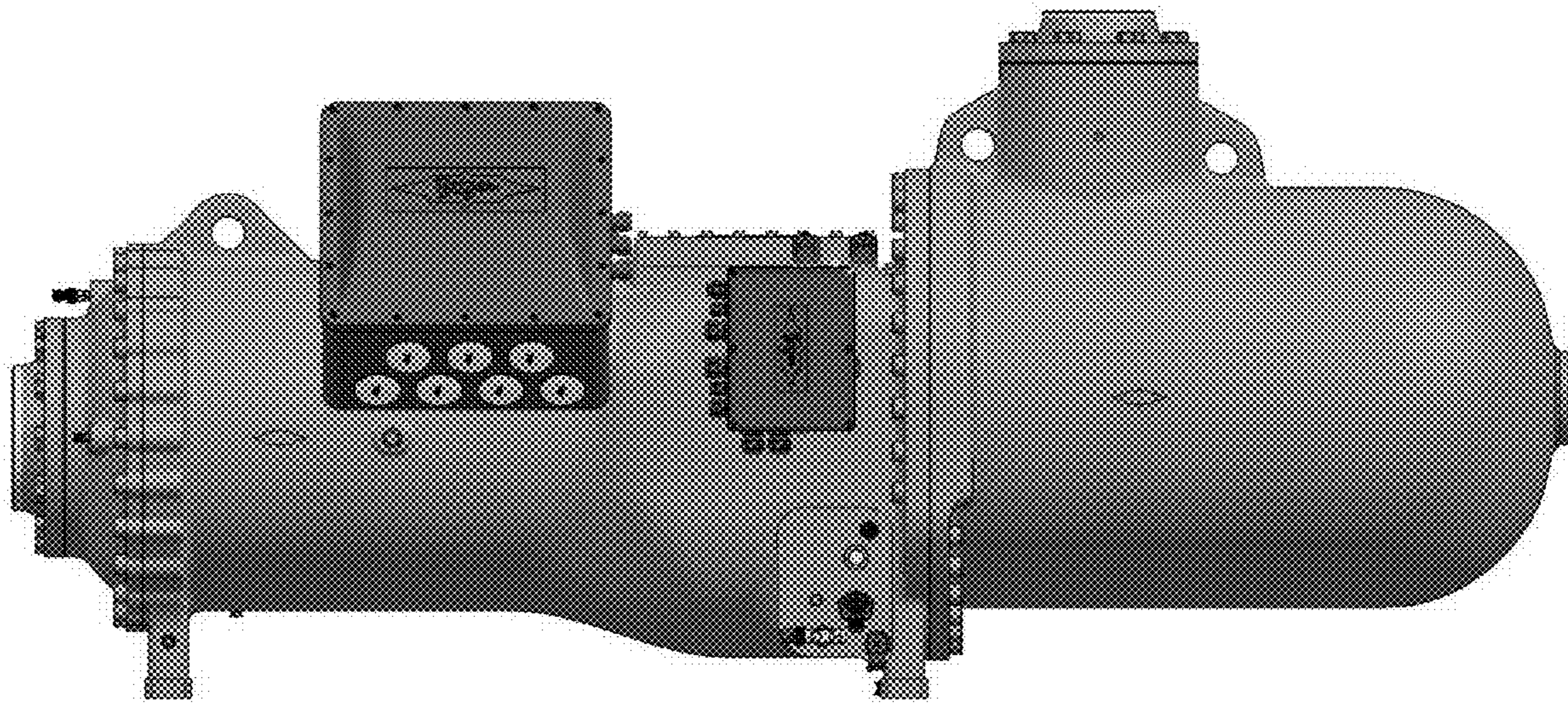


Fig. 9

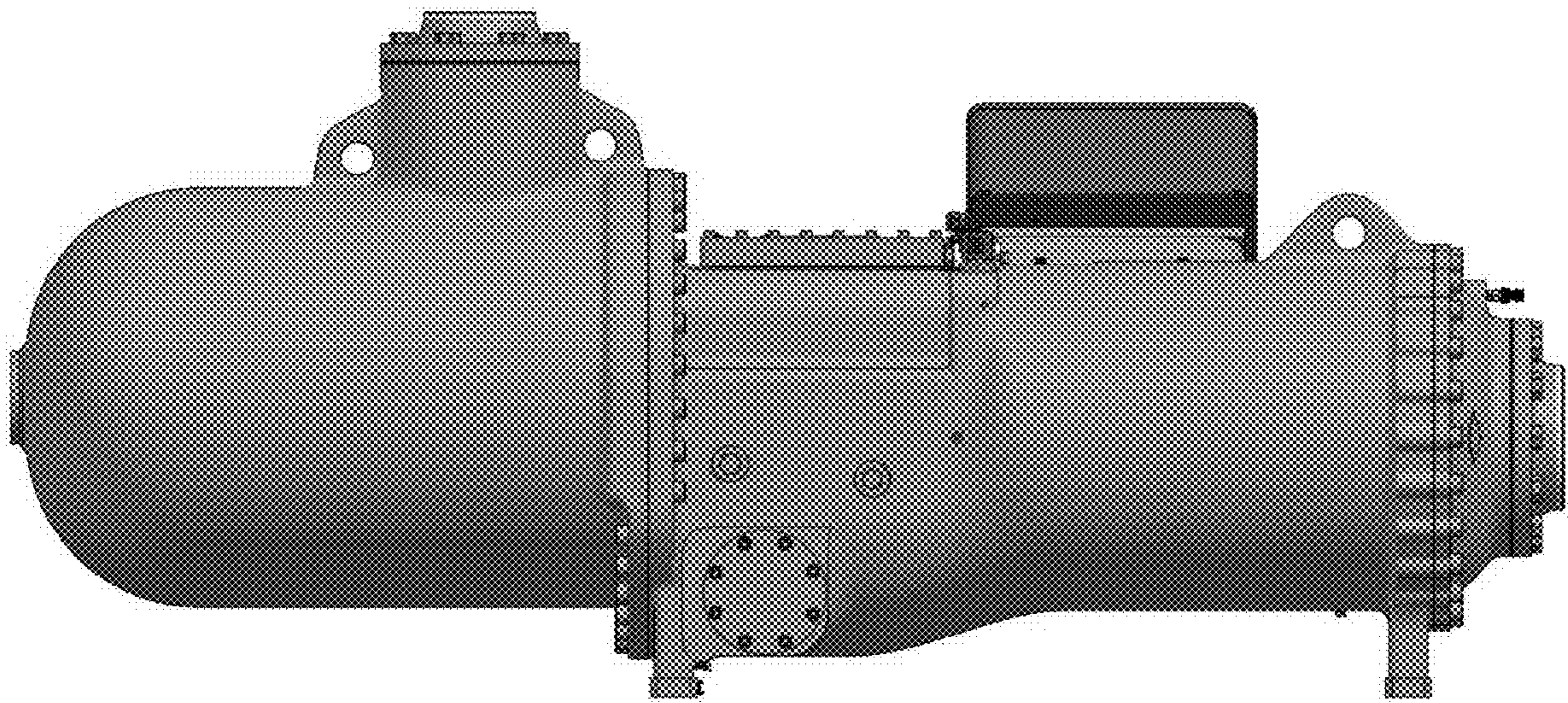


Fig. 10

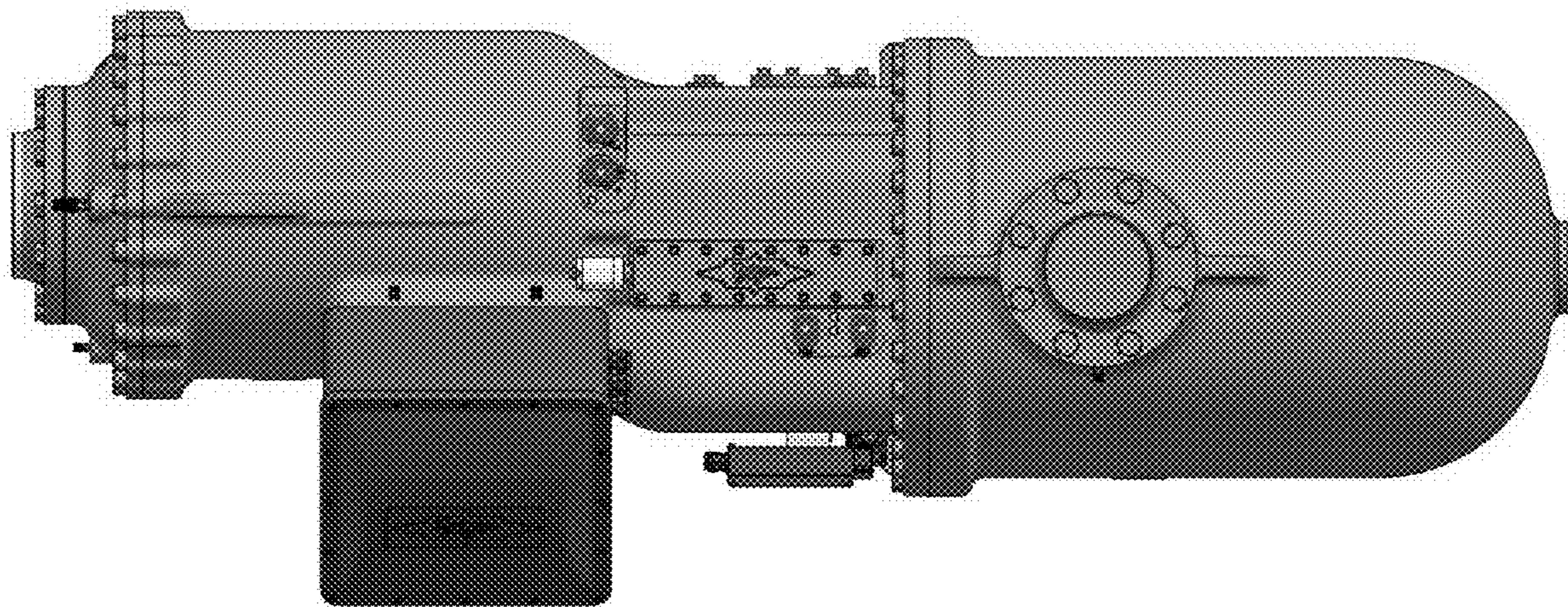


Fig. 11

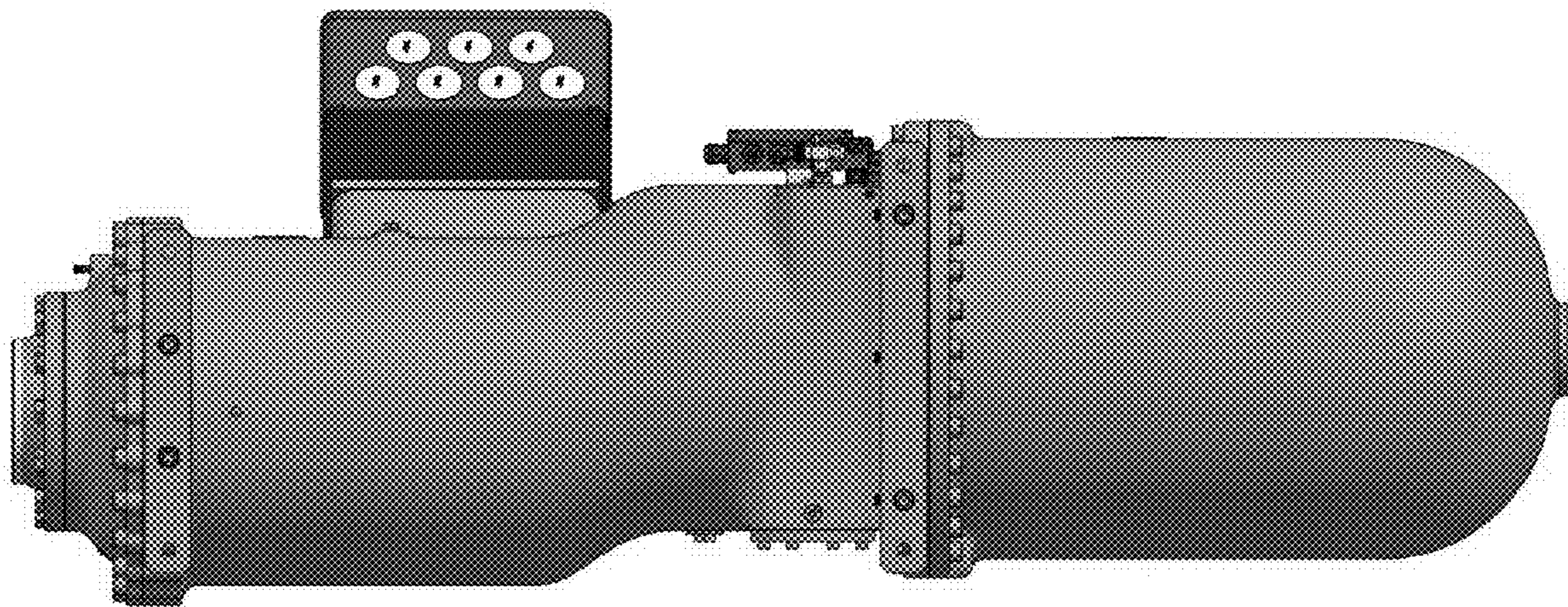


Fig. 12

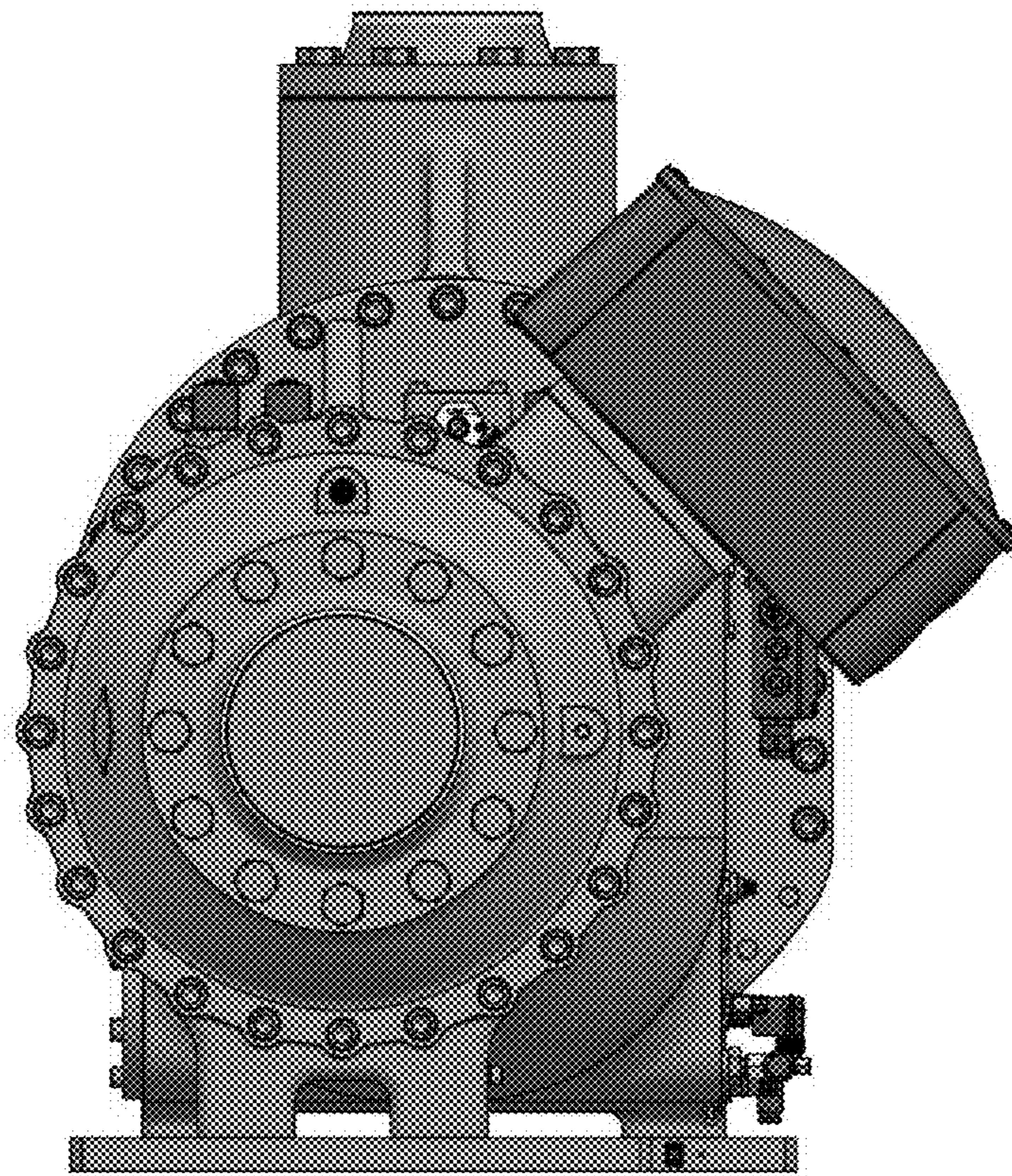


Fig. 13

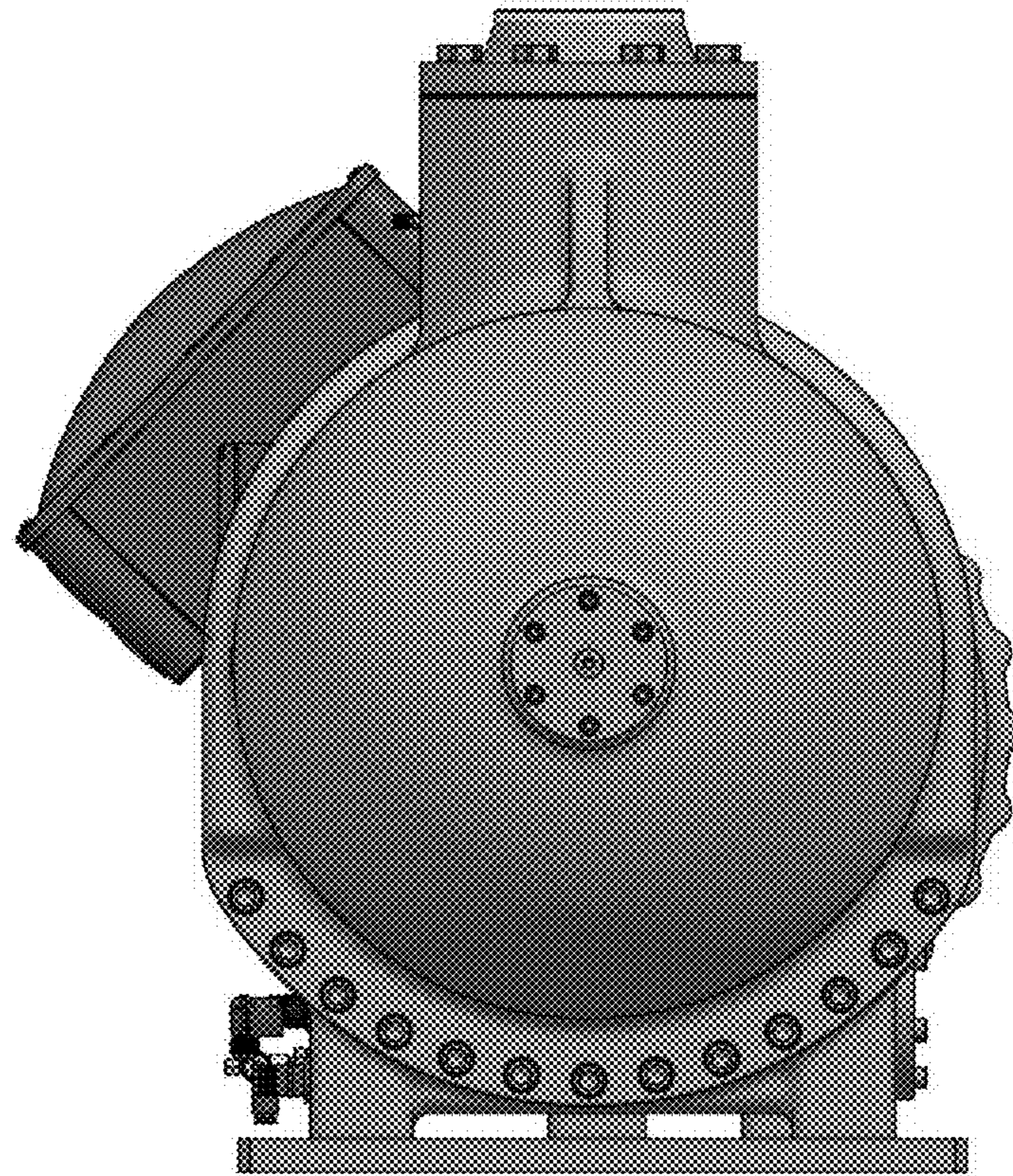


Fig. 14