



US00D894966S

(12) **United States Design Patent** (10) **Patent No.:** **US D894,966 S**
Kennedy et al. (45) **Date of Patent:** **** Sep. 1, 2020**

(54) **FILTER HOUSING**

(71) Applicant: **SAGE PRODUCTS, LLC**, Cary, IL (US)

(72) Inventors: **Jeffrey A. Kennedy**, Algonquin, IL (US); **Brian J. Ecklund**, Lakemoor, IL (US)

(73) Assignee: **Sage Products, LLC**, Cary, IL (US)

(**) Term: **15 Years**

(21) Appl. No.: **29/670,375**

(22) Filed: **Nov. 15, 2018**

Related U.S. Application Data

(62) Division of application No. 29/592,974, filed on Feb. 3, 2017, now Pat. No. Des. 837,264.

(51) **LOC (12) Cl.** **15-02**

(52) **U.S. Cl.**
USPC **D15/7**

(58) **Field of Classification Search**
USPC D15/7-9; D23/231, 232, 225, 227
CPC F02M 37/04; F02M 37/15; F04B 53/92;
F04B 1/005; F04D 13/06; F04D 29/22;
F04D 29/046; F04D 29/2266; B67D 7/44
See application file for complete search history.

(56) **References Cited**

U.S. PATENT DOCUMENTS

D589,060 S * 3/2009 Metcalfe D15/7
D609,249 S * 2/2010 Foreman D15/7

D631,066 S * 1/2011 Itadani D15/9
D654,508 S * 2/2012 Foreman D15/7
D689,100 S * 9/2013 Wirz Luchsinger D15/7
D693,850 S * 11/2013 Haider D15/7
D704,225 S * 5/2014 Lee D15/5
D704,226 S * 5/2014 Lee D15/5
D705,819 S * 5/2014 Seymour D15/9
D707,717 S * 6/2014 King D15/7
D736,833 S * 8/2015 Lee D15/5
D764,551 S * 8/2016 Fowler D15/7
D802,024 S * 11/2017 Aoki D15/5
D803,894 S * 11/2017 Kennedy D15/7
D837,264 S * 1/2019 Kennedy D15/7

* cited by examiner

Primary Examiner — Mitchell I. Siegel

(74) *Attorney, Agent, or Firm* — Foley & Lardner LLP

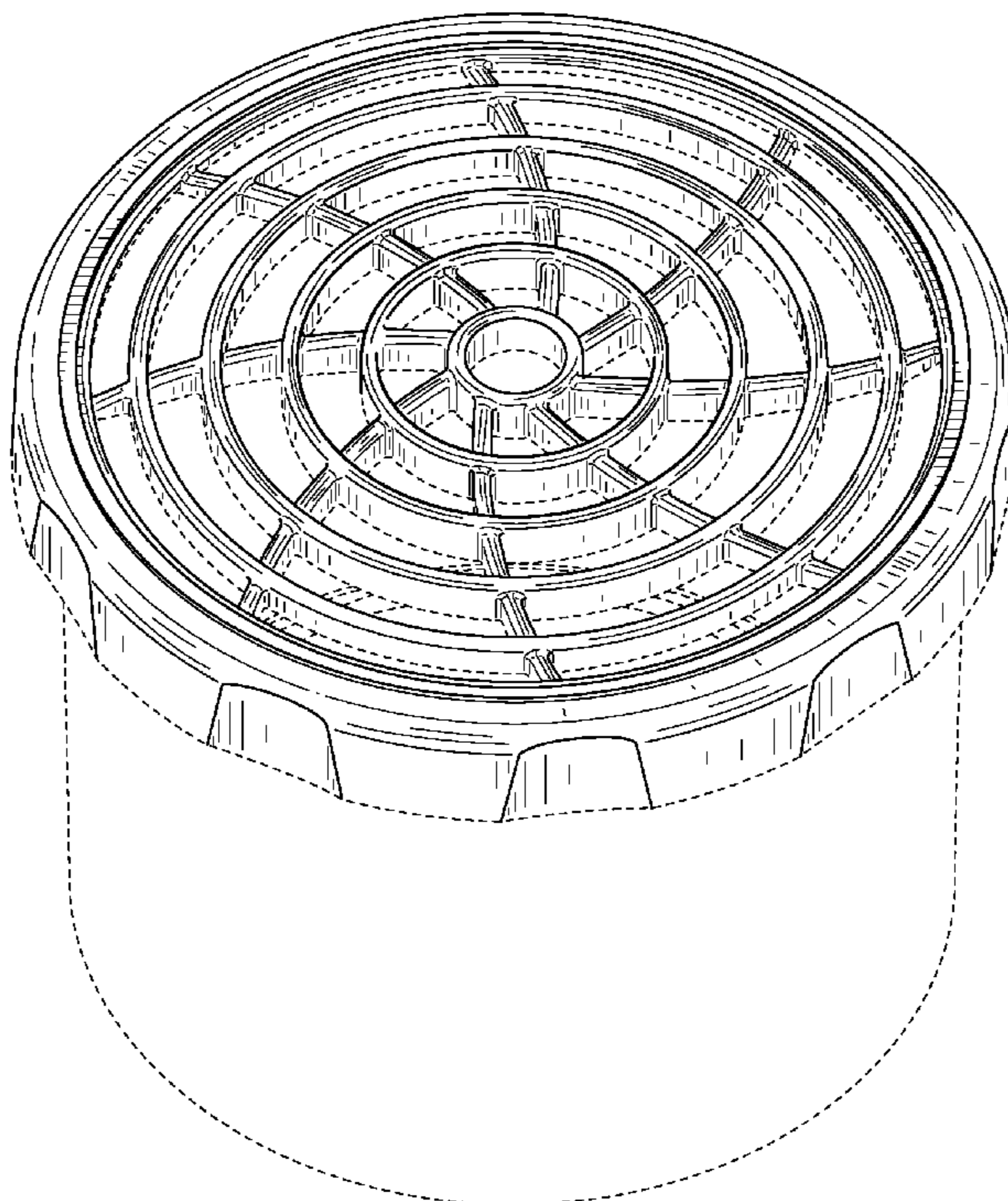
(57) **CLAIM**

We claim the ornamental design for a filter housing, as shown and described.

DESCRIPTION

FIG. 1 is a top, front, right perspective view of an embodiment of the claimed design;
FIG. 2 is a bottom, front, left perspective view thereof;
FIG. 3 is a left side elevation view thereof;
FIG. 4 is a right side elevation view thereof;
FIG. 5 is a front elevation view thereof;
FIG. 6 is a rear elevation view thereof;
FIG. 7 is a top plan view thereof; and,
FIG. 8 is a bottom plan view thereof.
The broken lines shown are included for the purpose of illustrating unclaimed subject matter and forms no part of the claimed design.

1 Claim, 8 Drawing Sheets



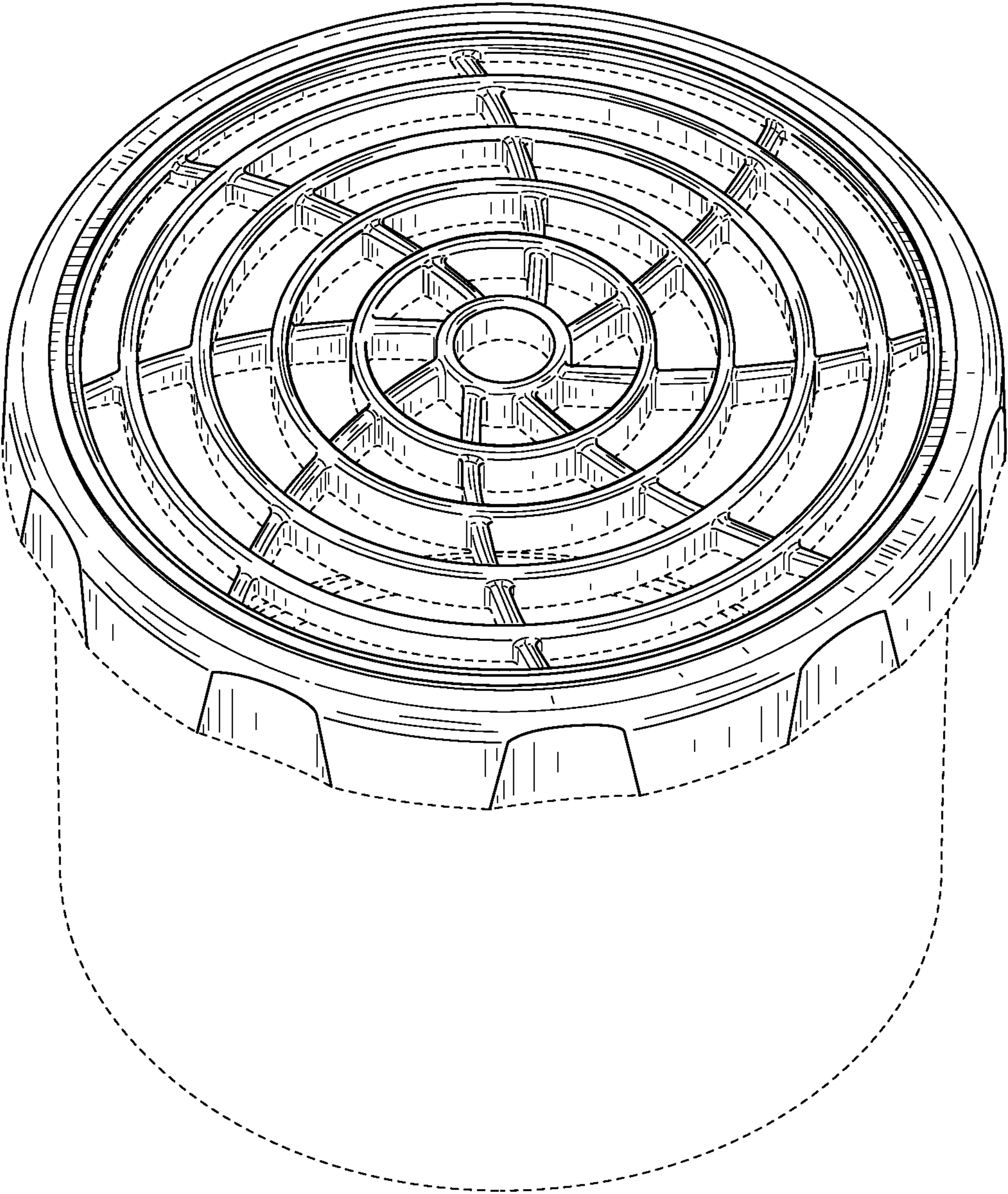


FIG. 1

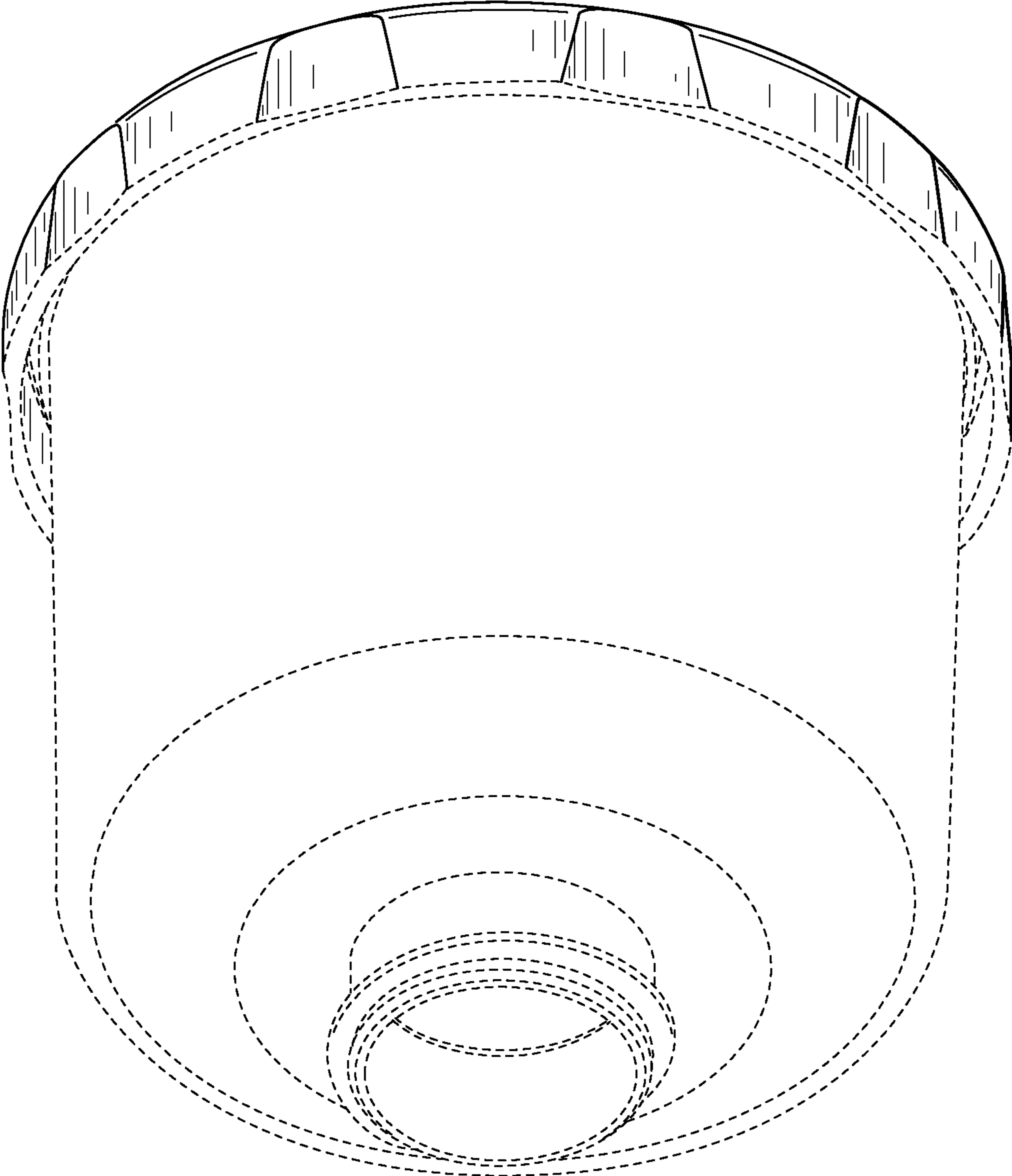


FIG. 2

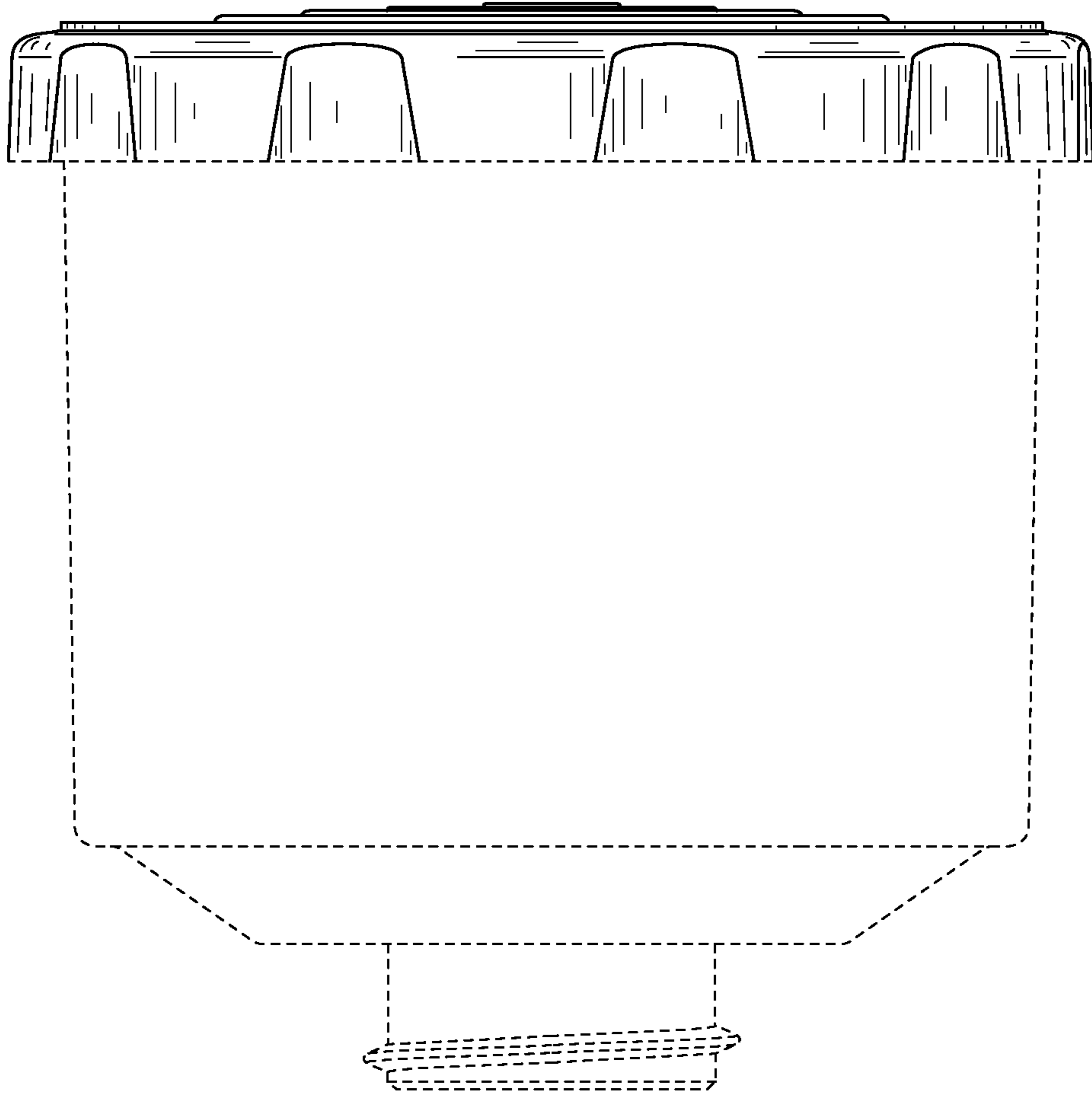


FIG. 3

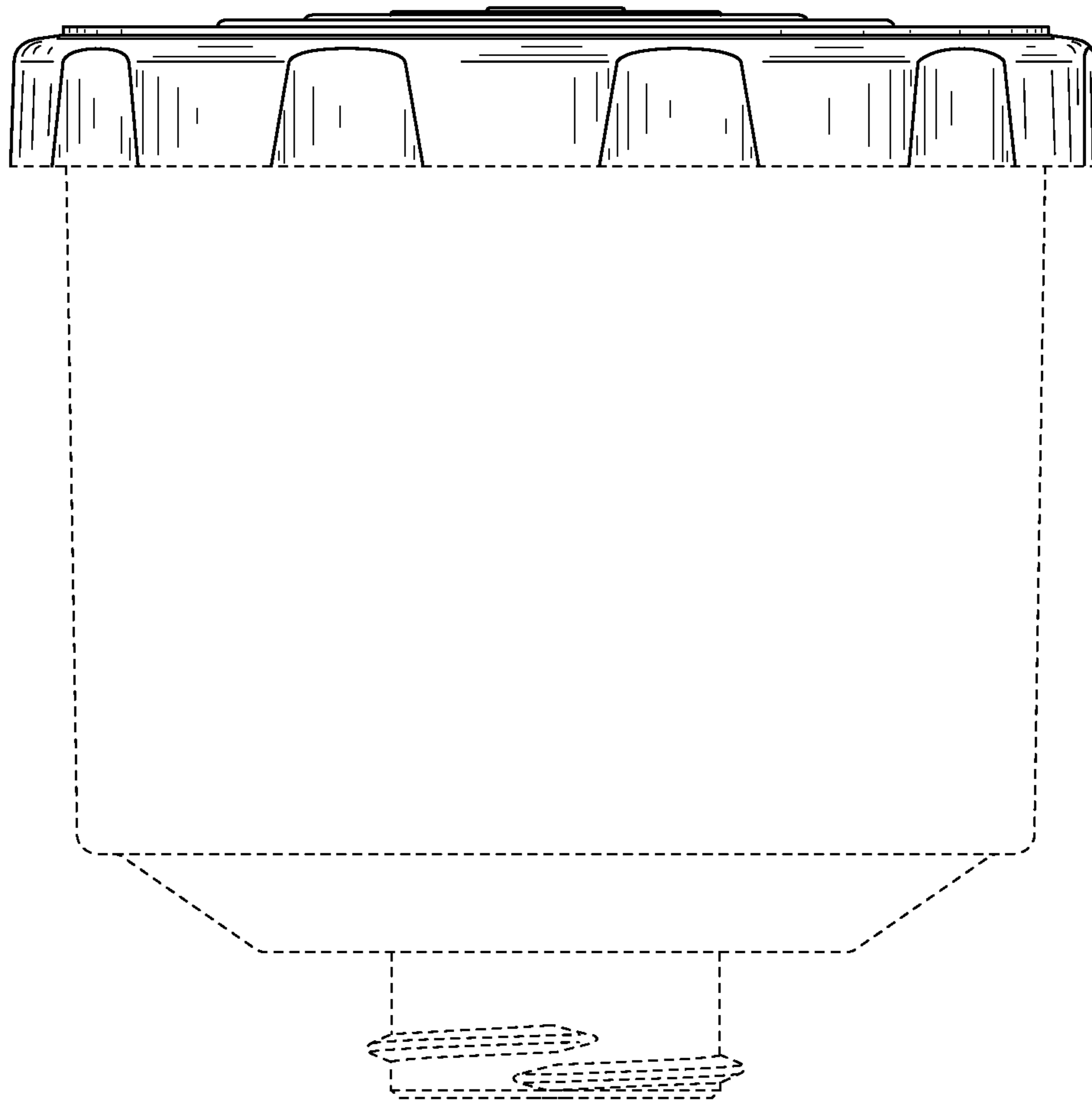


FIG. 4

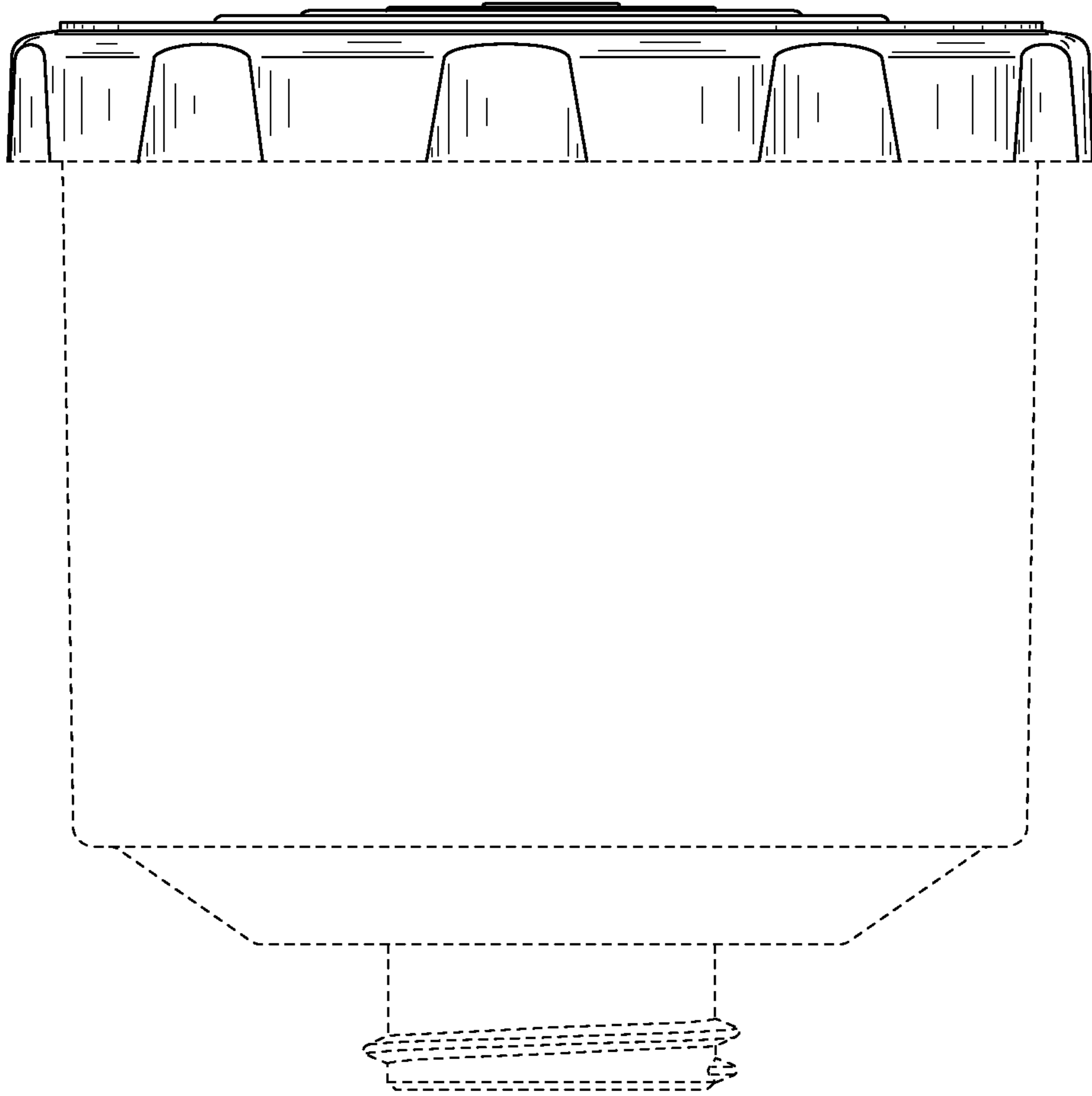


FIG. 5

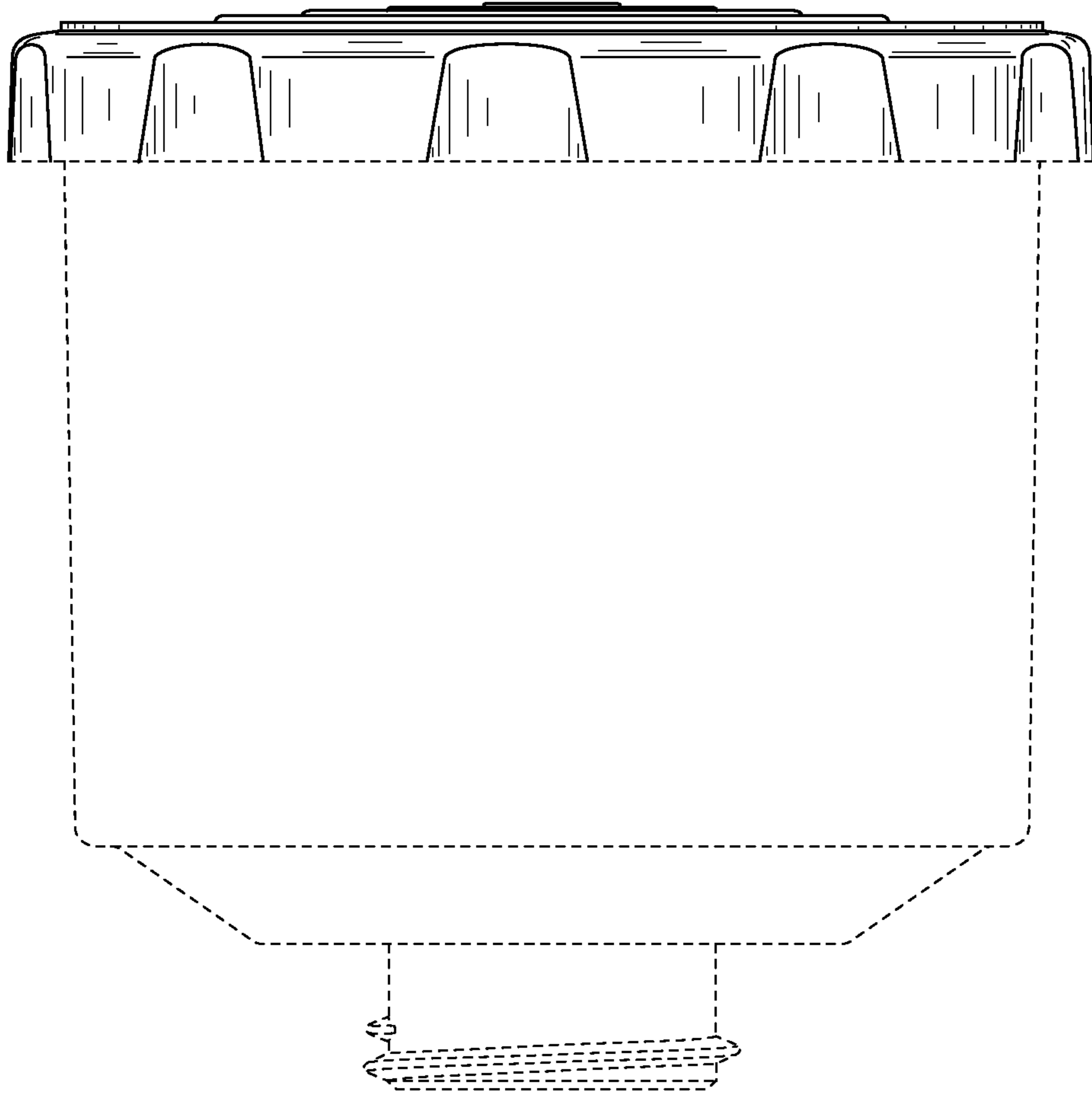


FIG. 6

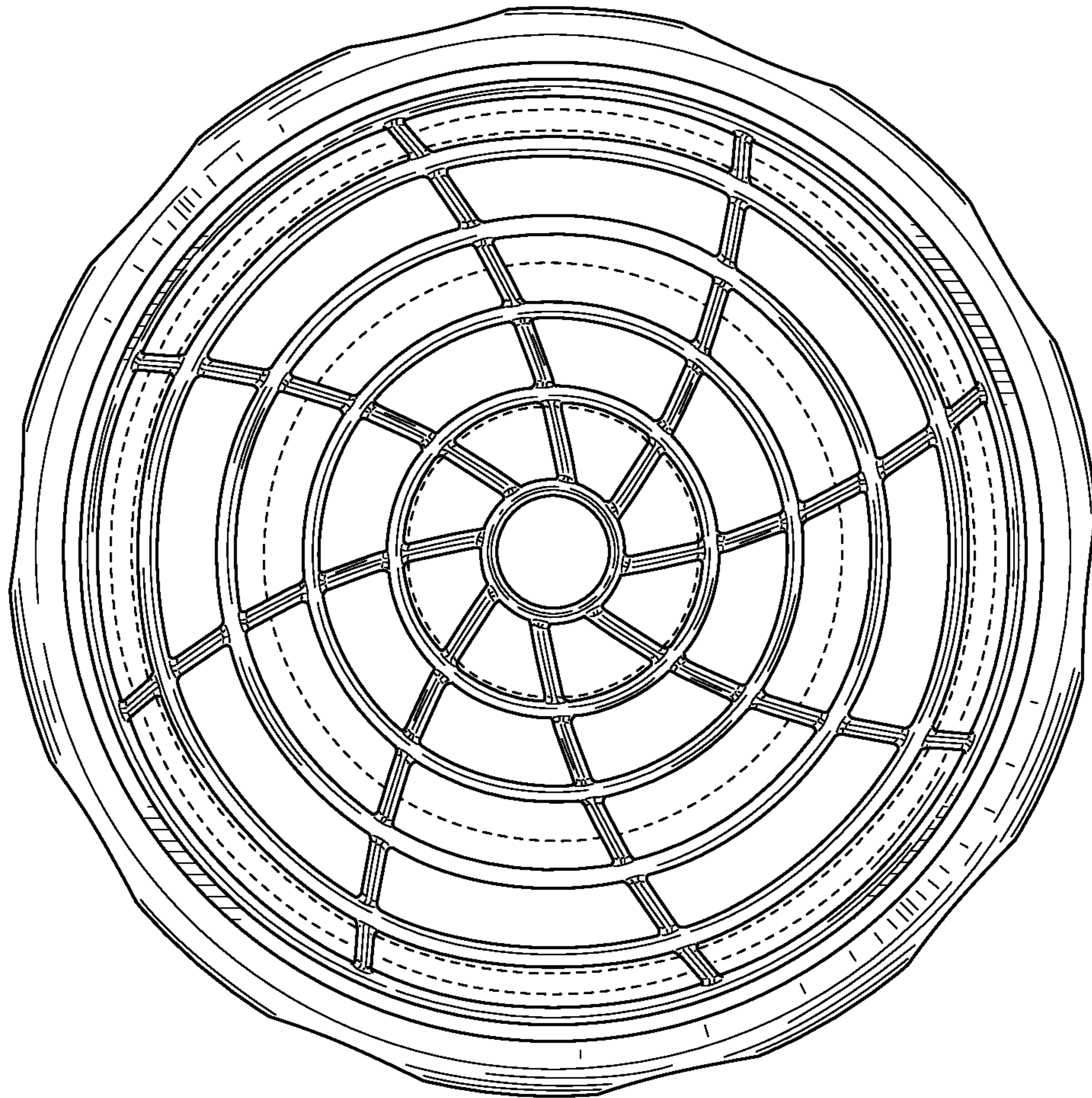


FIG. 7

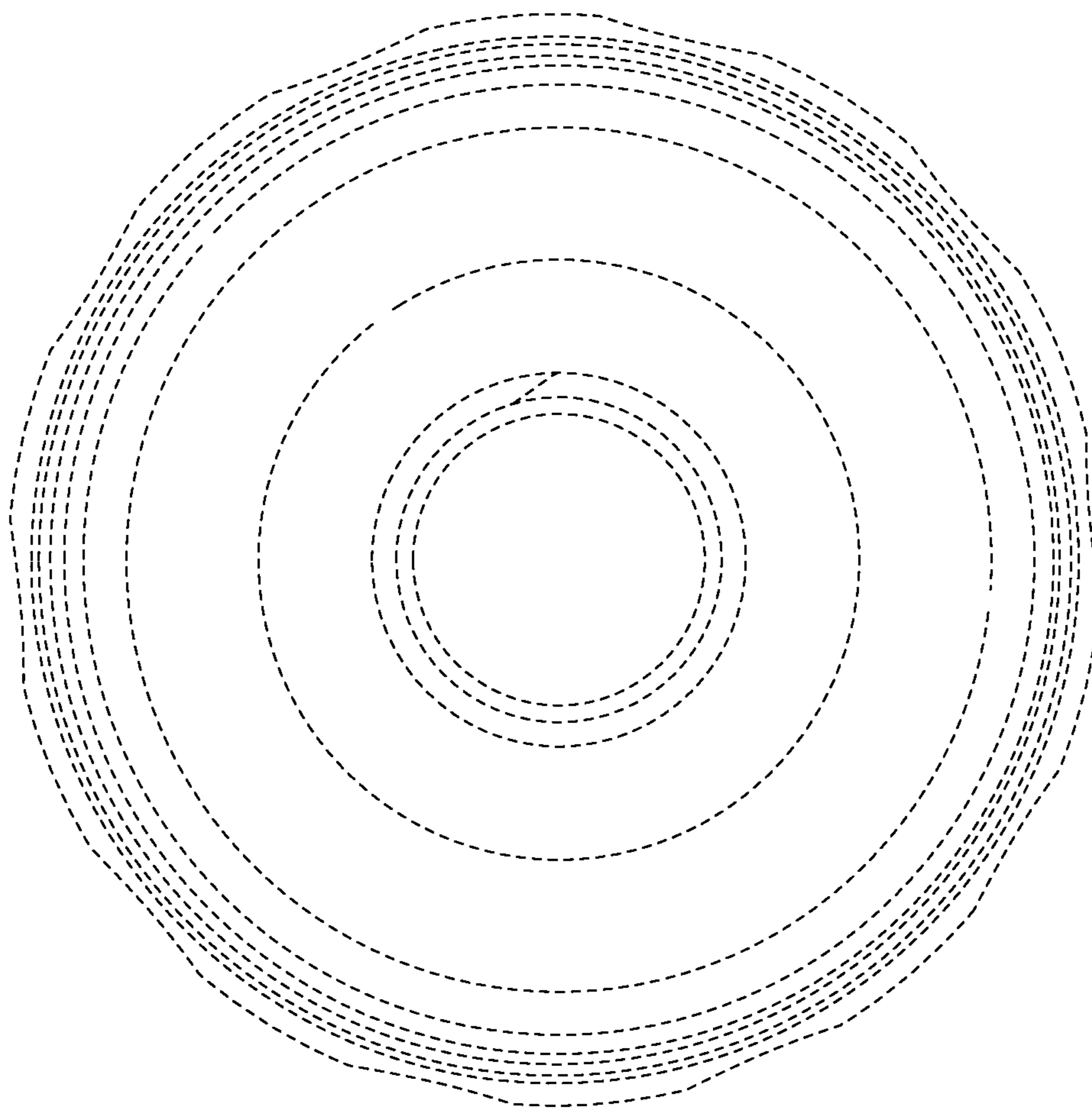


FIG. 8