



US00D894964S

(12) **United States Design Patent** (10) **Patent No.:** **US D894,964 S**
Park et al. (45) **Date of Patent:** **** Sep. 1, 2020**

(54) **TURBINE HOUSING**

U.S. Appl. No. 16/370,964, filed Mar. 30, 2019, Park.
U.S. Appl. No. 29/667,153, filed Oct. 18, 2018, Park.

(71) Applicant: **Savant Holdings LLC**, South Jordan, UT (US)

Primary Examiner — Derrick E Holland
(74) *Attorney, Agent, or Firm* — Austin Rapp

(72) Inventors: **Bret J. Park**, South Jordan, UT (US);
Zackary D. Swasey, Bountiful, UT (US)

(57) **CLAIM**

The ornamental design for a turbine housing, as shown and described.

(73) Assignee: **Savant Holdings LLC**, South Jordan, UT (US)

DESCRIPTION

(**) Term: **15 Years**

FIG. 1 is a first top perspective view of a turbine housing, according to our new design;

(21) Appl. No.: **29/667,151**

FIG. 2 is a second top perspective view of the turbine housing of FIG. 1;

(22) Filed: **Oct. 18, 2018**

FIG. 3 is a first bottom perspective view of the turbine housing of FIG. 1;

(51) **LOC (12) Cl.** **15-01**

(52) **U.S. Cl.**

USPC **D15/5; D13/113**

(58) **Field of Classification Search**

USPC D13/101, 112, 113, 114, 118, 122, 184,
D13/199; D15/1, 5, 9, 199; D23/233

CPC . F01D 5/06; F01D 9/041; F01D 9/045; F01D
17/165; F02B 33/40; F02B 37/00; F05D
2240/60; F05D 2240/128; F05D

(Continued)

FIG. 4 is a second bottom perspective view of the turbine housing of FIG. 1;

FIG. 5 is a left side elevational view of the turbine housing of FIG. 1;

FIG. 6 is a right side elevational view of the turbine housing of FIG. 1;

FIG. 7 is a front side elevational view of the turbine housing of FIG. 1;

FIG. 8 is a rear side elevational view of the turbine housing of FIG. 1;

FIG. 9 is a top plan view of the turbine housing of FIG. 1;

FIG. 10 is a bottom plan view of the turbine housing of FIG. 1;

FIG. 11 is a top perspective view of the turbine housing of FIG. 1 shown in an alternate environment;

FIG. 12 is a front side elevational view of the turbine housing of FIG. 11;

FIG. 13 is a top perspective view of the turbine housing of FIG. 1 shown in another alternate environment; and,

FIG. 14 is a front side elevational view of the turbine housing of FIG. 13.

The portions shown in broken lines comprise environmental structure and form no part of the claimed design.

(56) **References Cited**

U.S. PATENT DOCUMENTS

D368,269 S * 3/1996 Chapman D15/5
D413,122 S * 8/1999 Chapman D15/5
6,269,642 B1 8/2001 Arnold

(Continued)

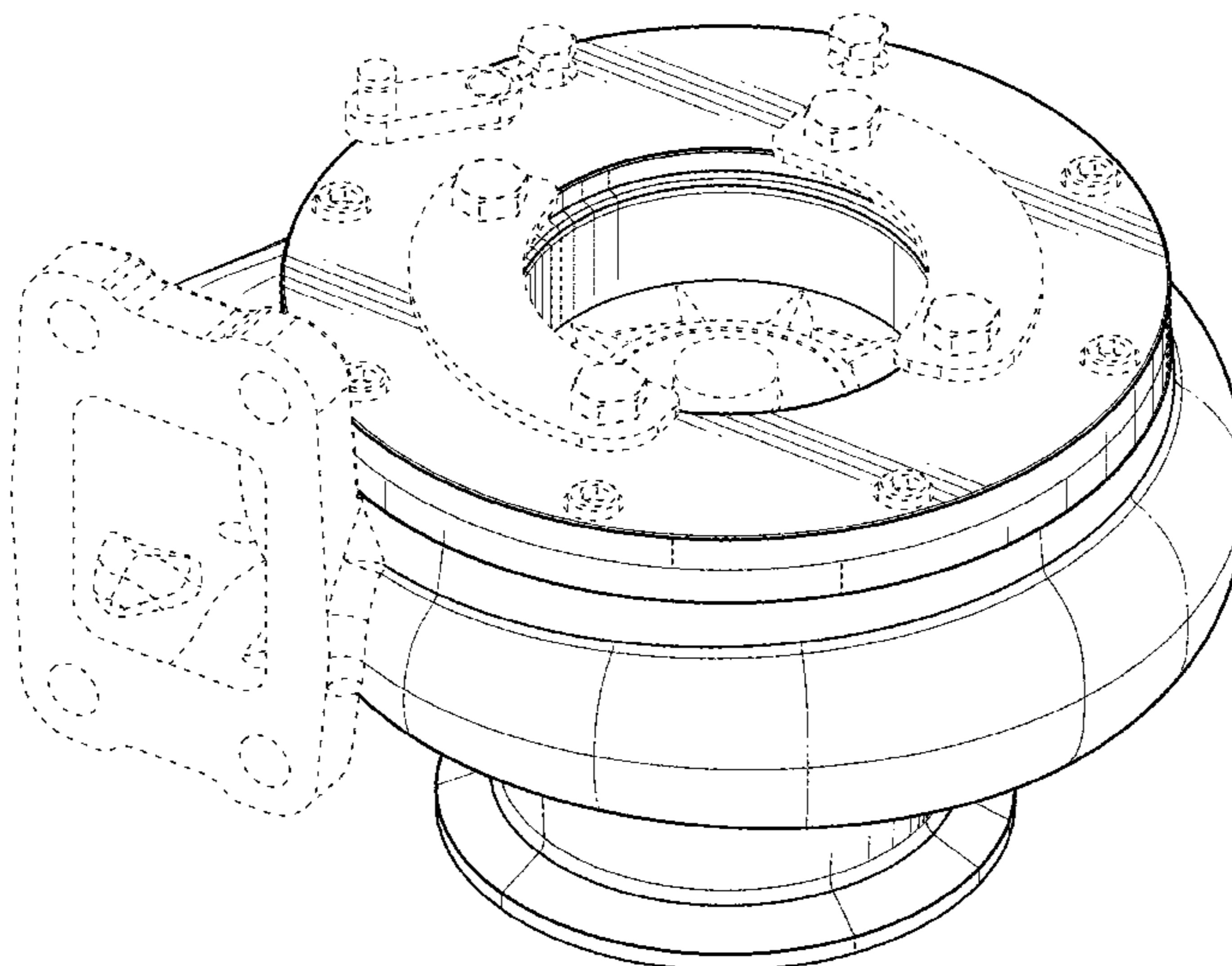
FOREIGN PATENT DOCUMENTS

EP 0226444 6/1987

OTHER PUBLICATIONS

U.S. Appl. No. 29/682,180, filed Mar. 1, 2019, Park.

1 Claim, 14 Drawing Sheets



(58) **Field of Classification Search**

CPC . 2260/4031; C22C 38/02; C22C 38/04; C22C
38/44

See application file for complete search history.

(56) **References Cited**

U.S. PATENT DOCUMENTS

D543,495 S * 5/2007 Williams D12/345
D734,364 S * 7/2015 Blythe F01N 13/1816
D15/5
D793,452 S * 8/2017 Regnier D15/5
D802,531 S * 11/2017 Liao D13/122
10,087,820 B2 10/2018 Uesugi
10,145,267 B2 12/2018 Yokoyama
10,161,305 B2 12/2018 Ikegami
2009/0123272 A1 5/2009 Love
2009/0206611 A1* 8/2009 Gilbert F03D 1/025
290/55
2016/0226340 A1* 8/2016 Perriere H02K 5/12
2017/0234153 A1* 8/2017 Williams F02B 33/40
415/148

* cited by examiner

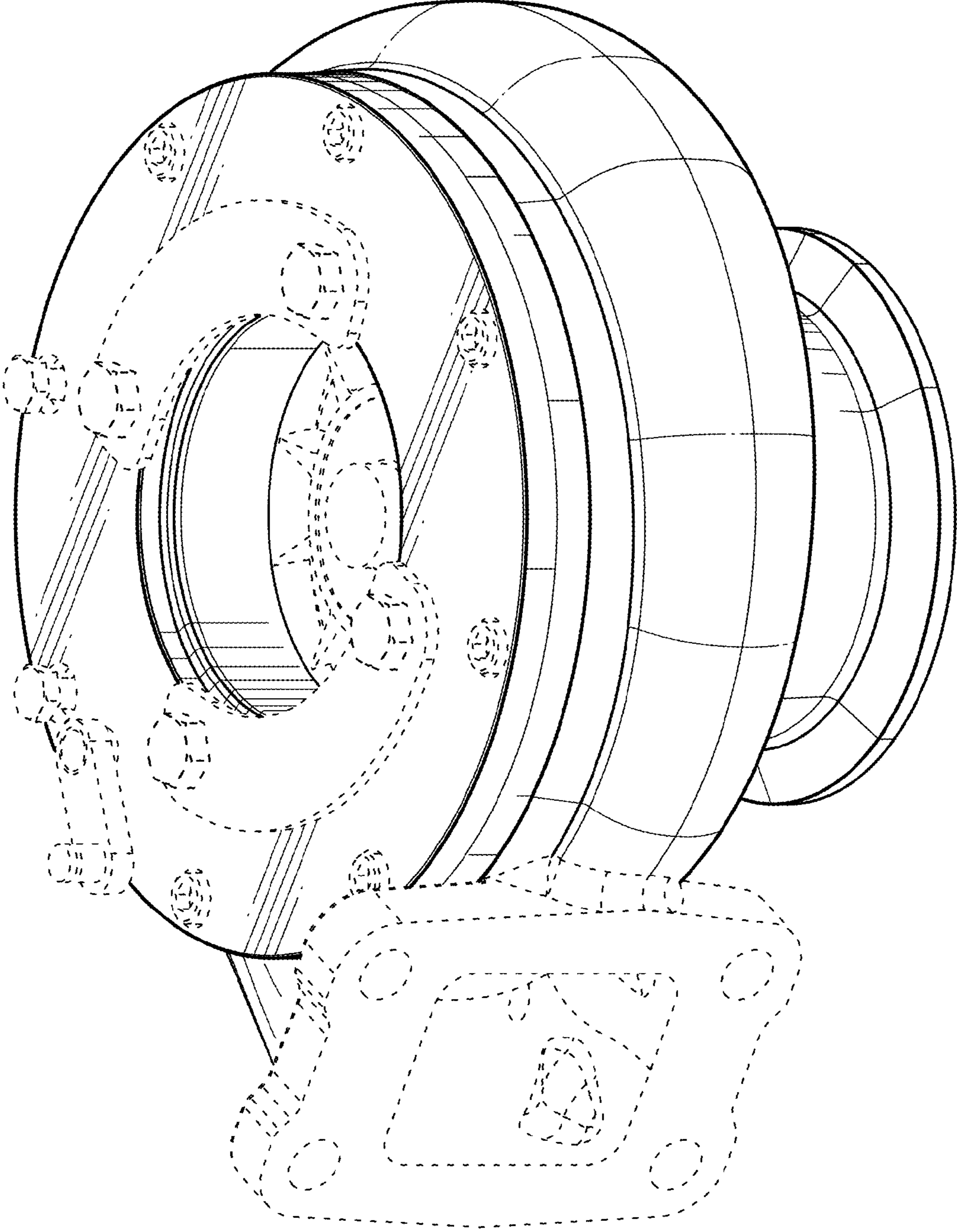


FIG. 1

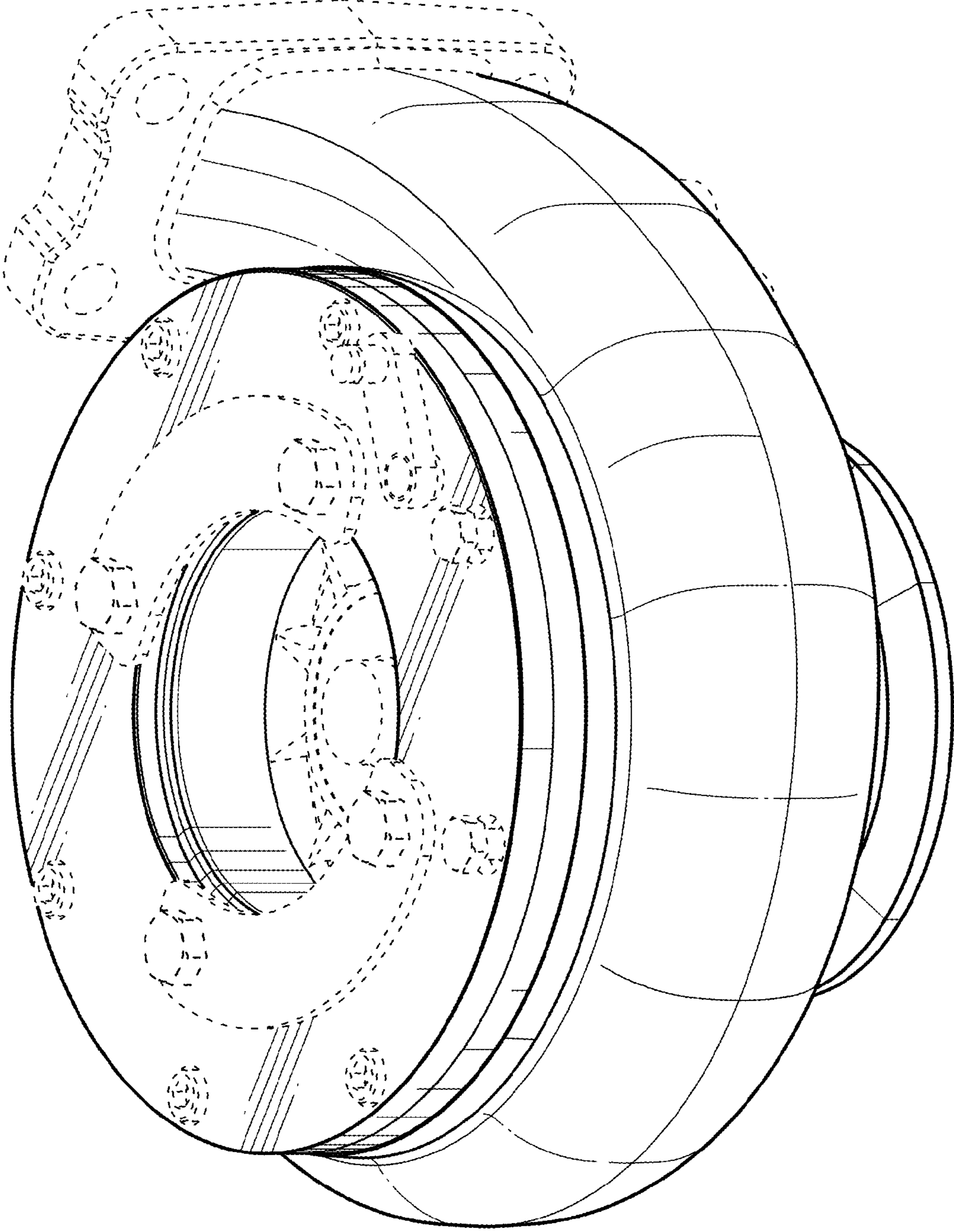


FIG. 2

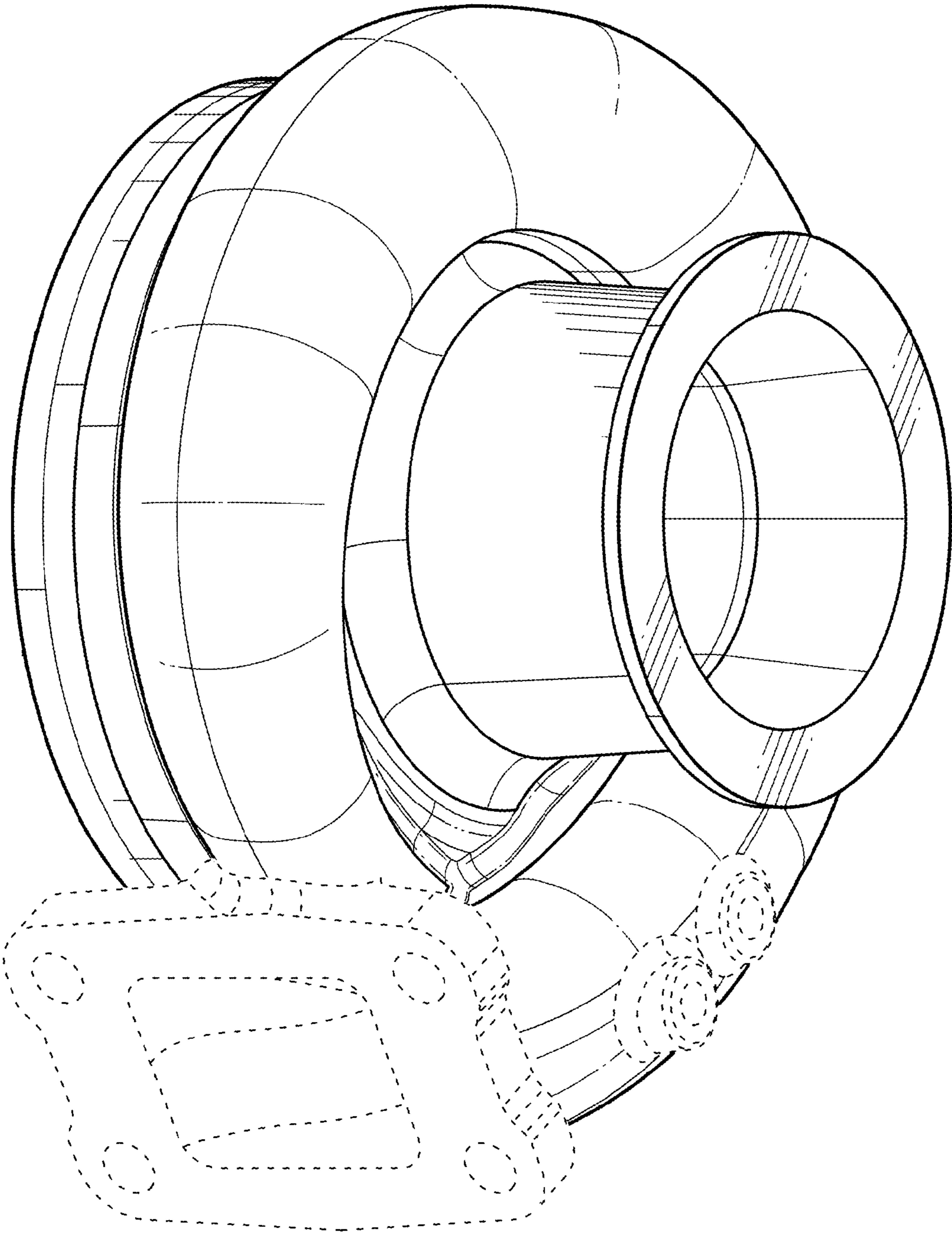


FIG. 3

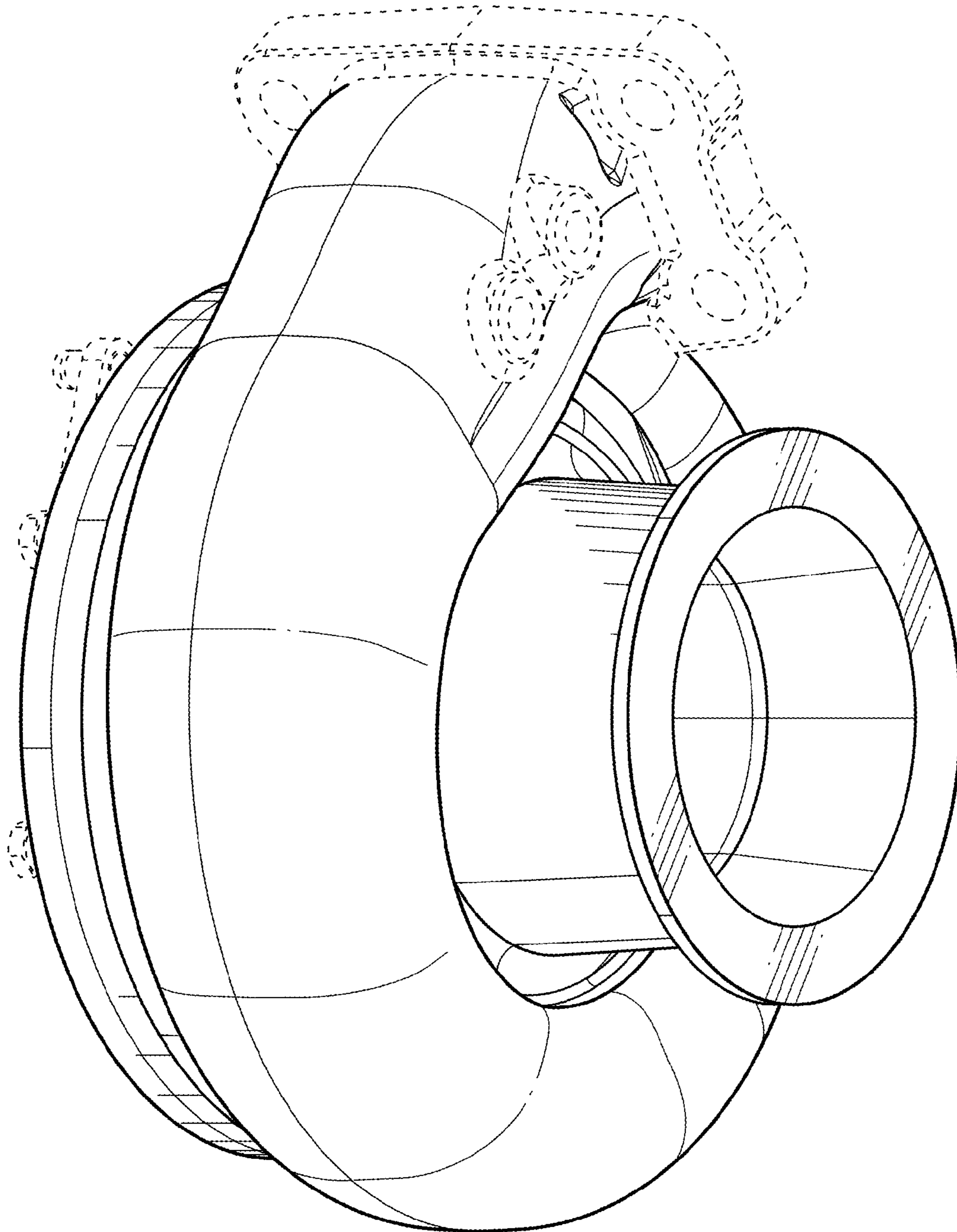


FIG. 4

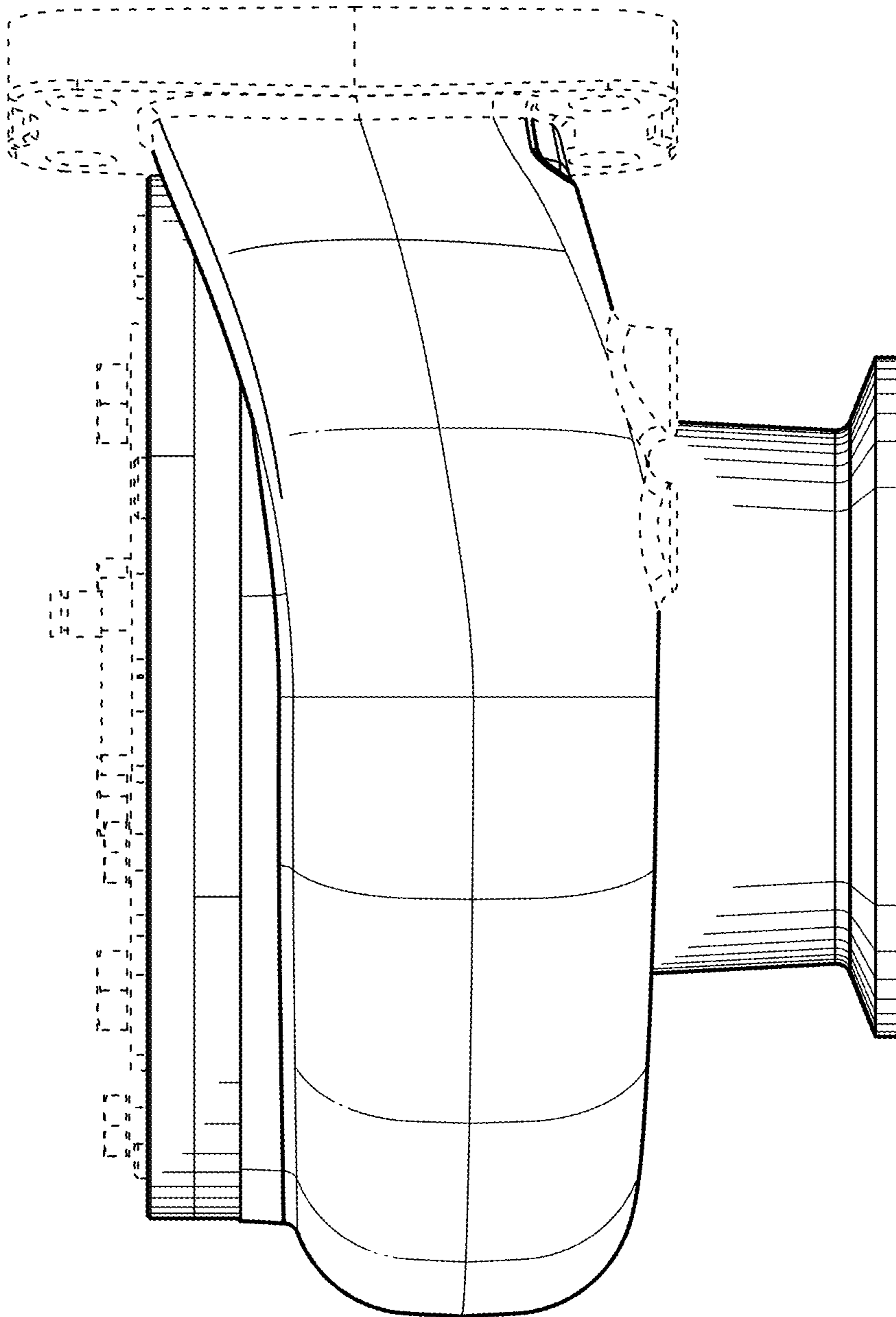


FIG. 5

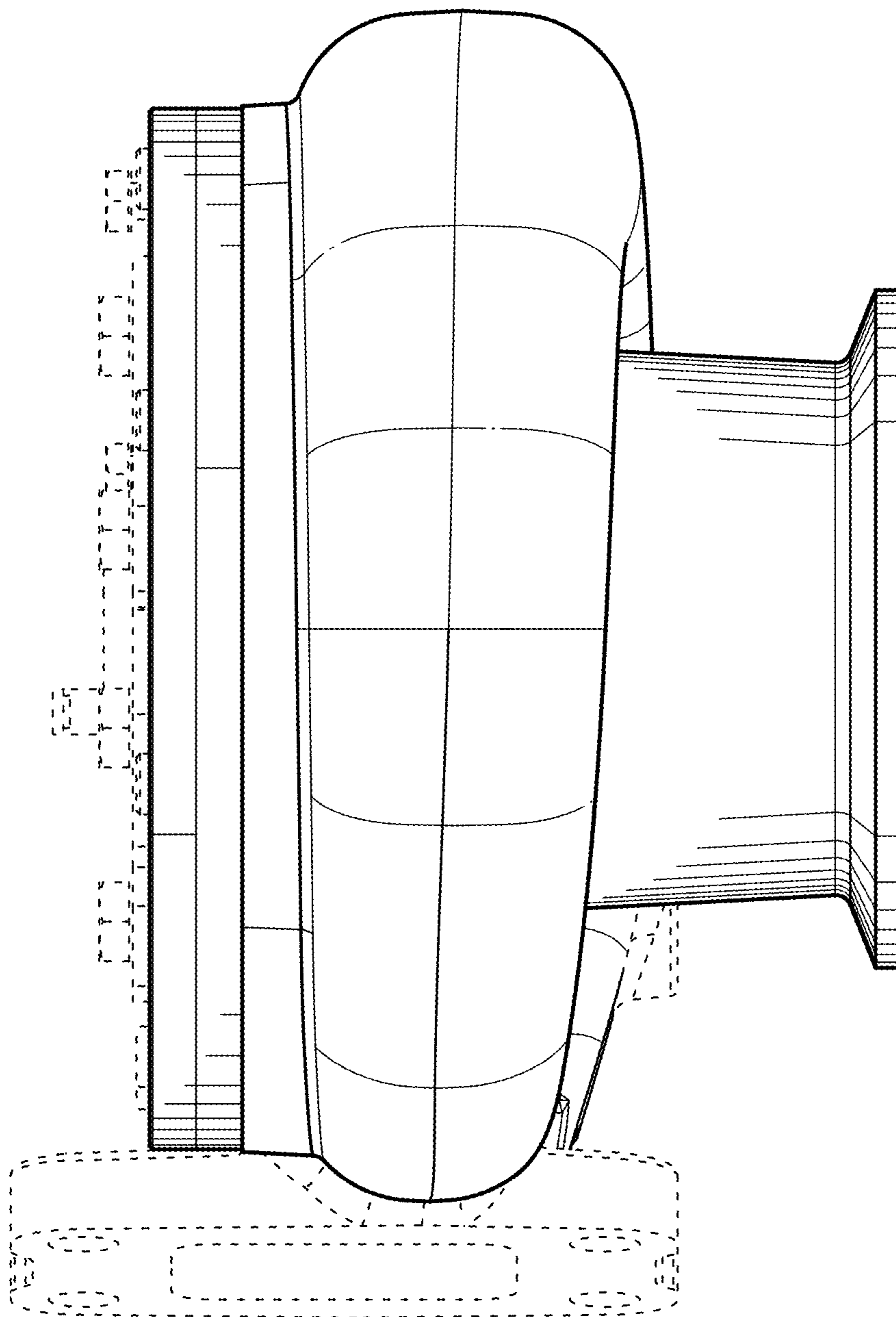


FIG. 6

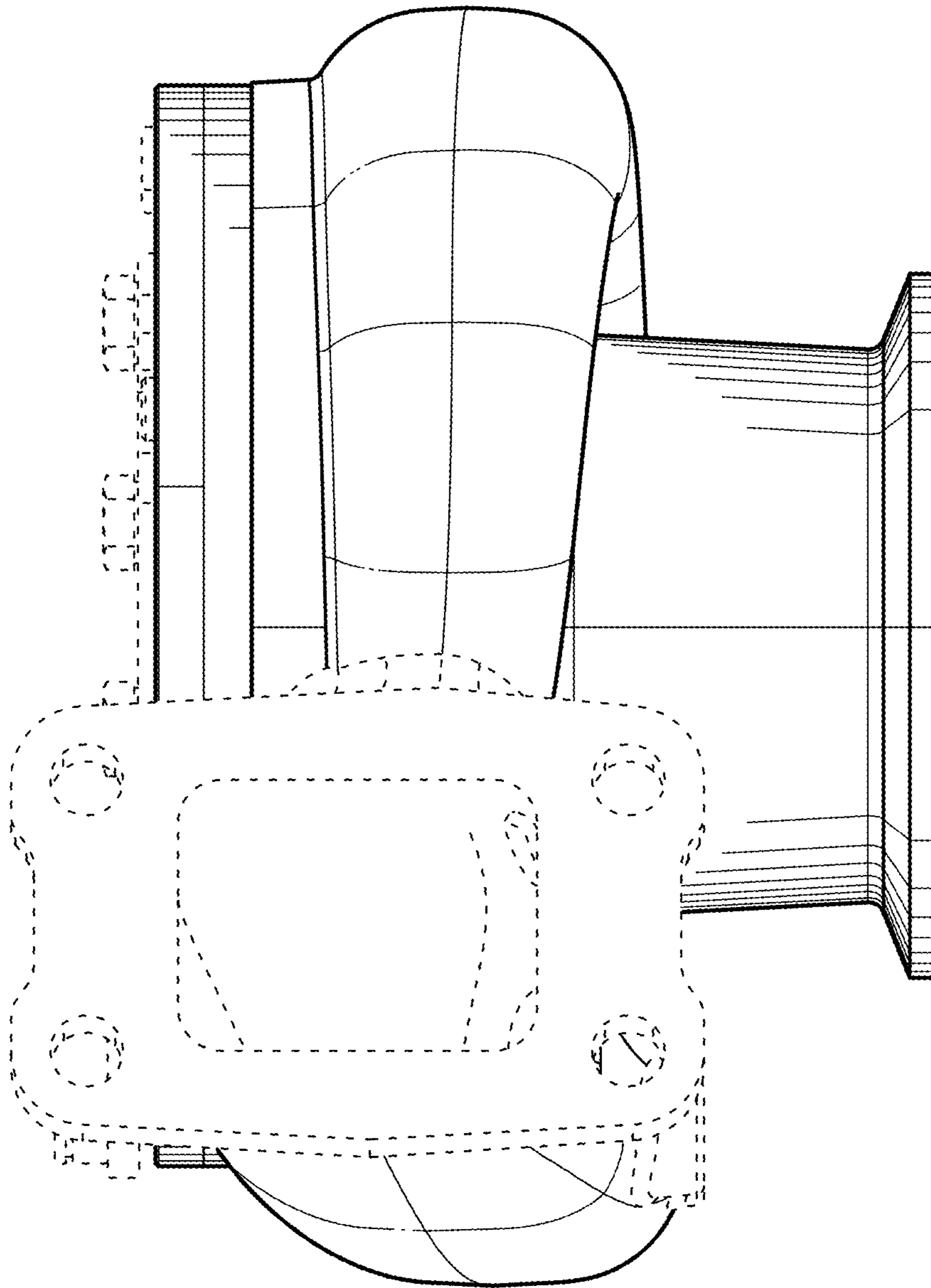


FIG. 7

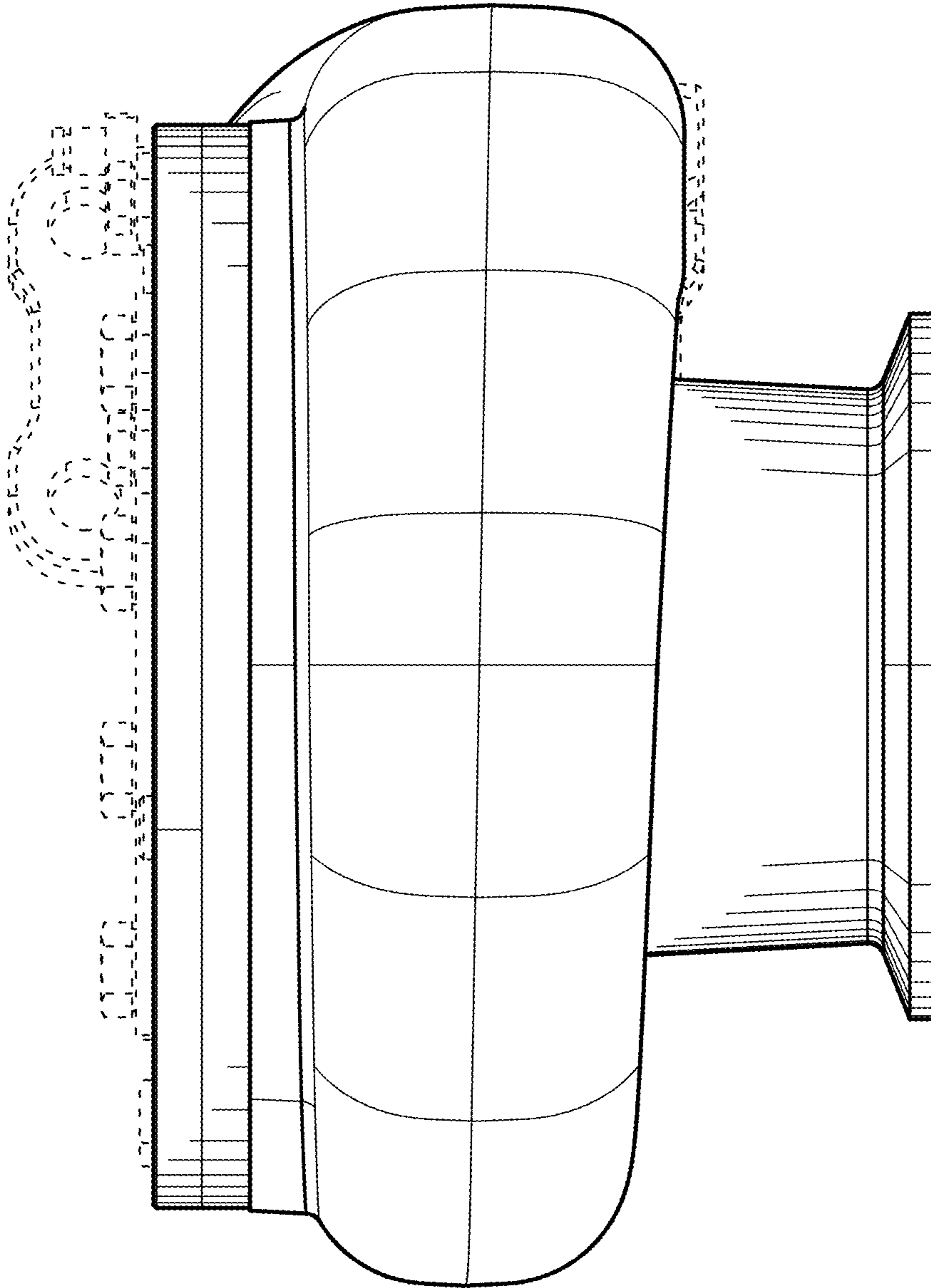


FIG. 8

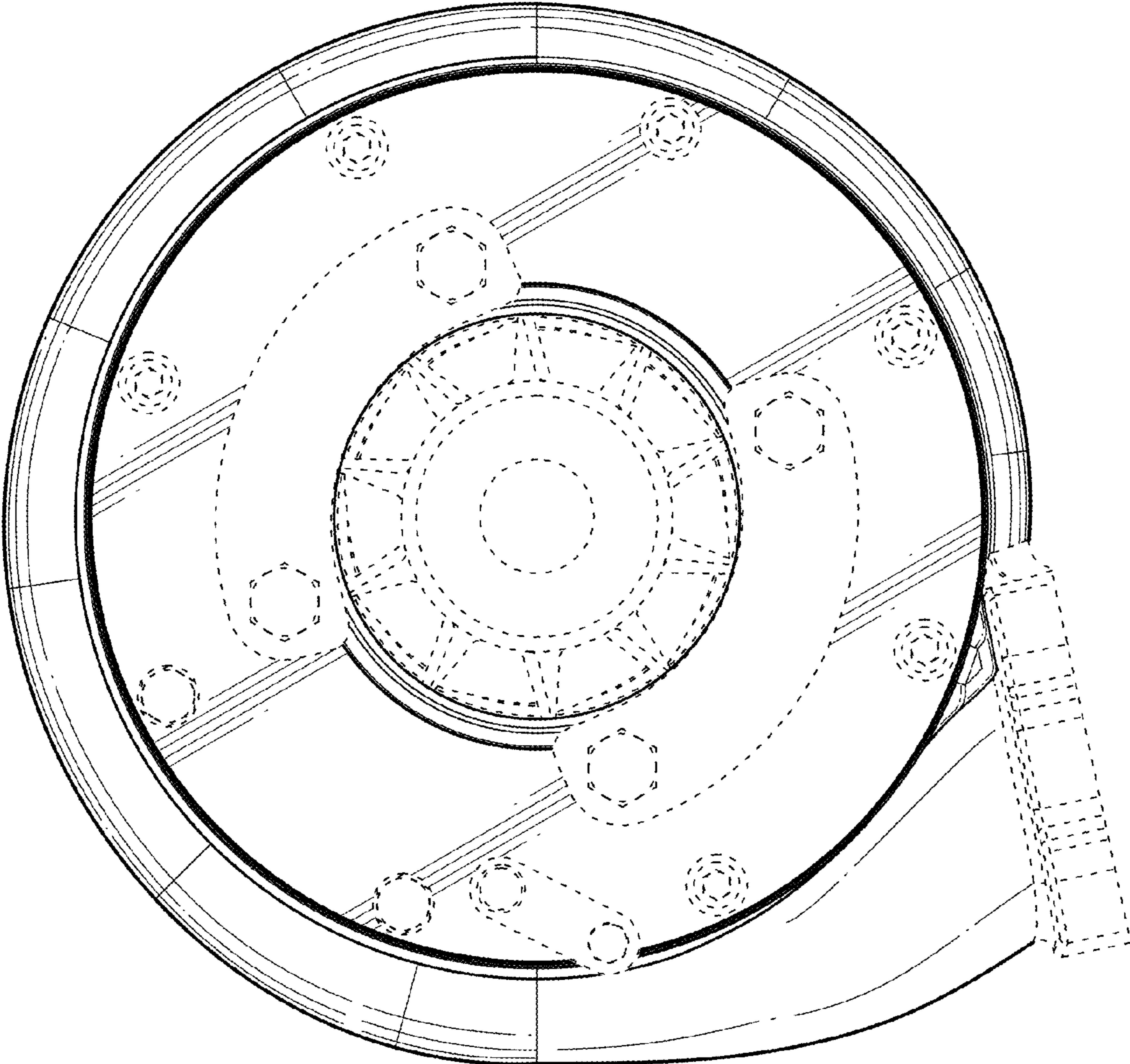


FIG. 9

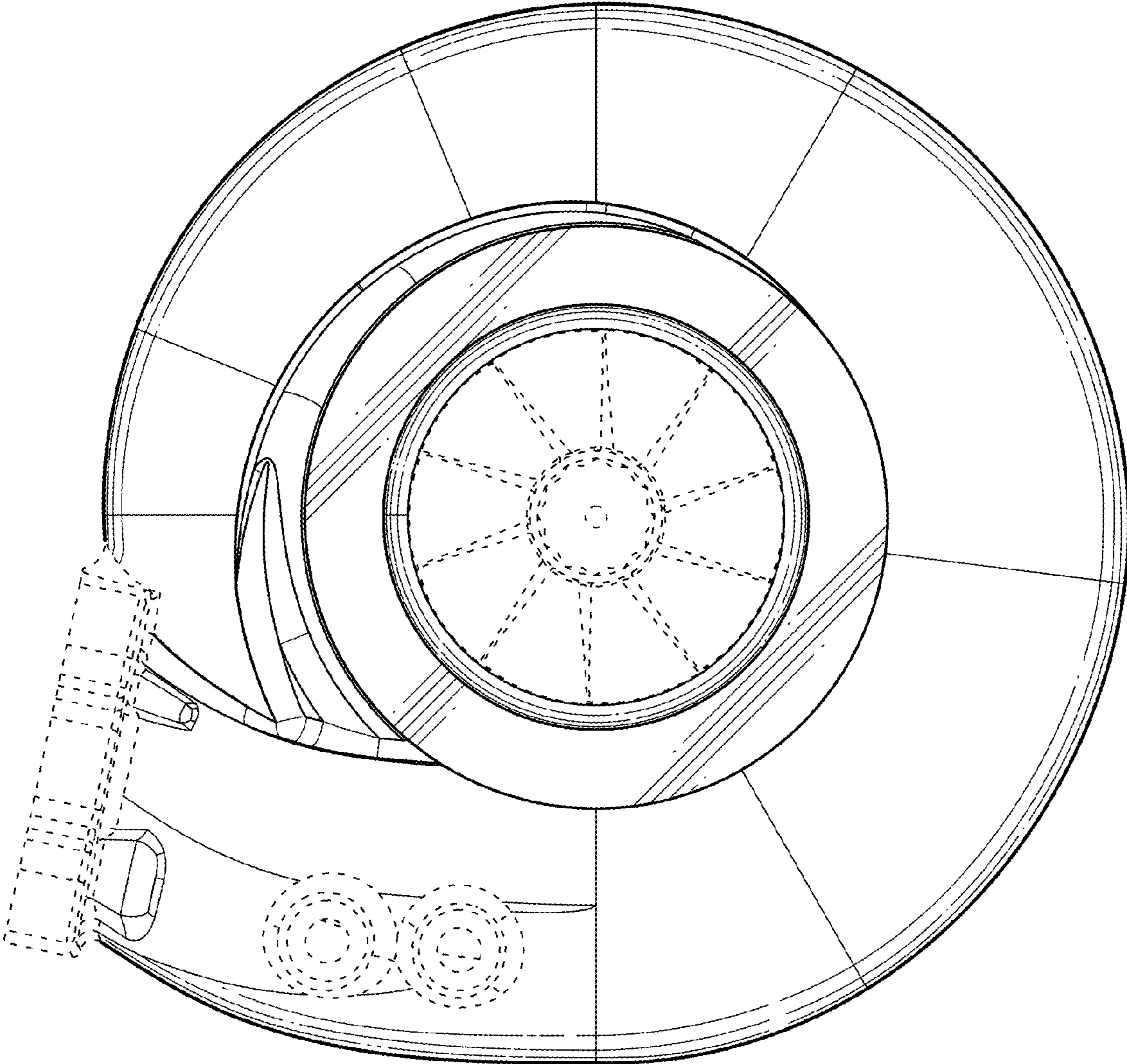


FIG. 10

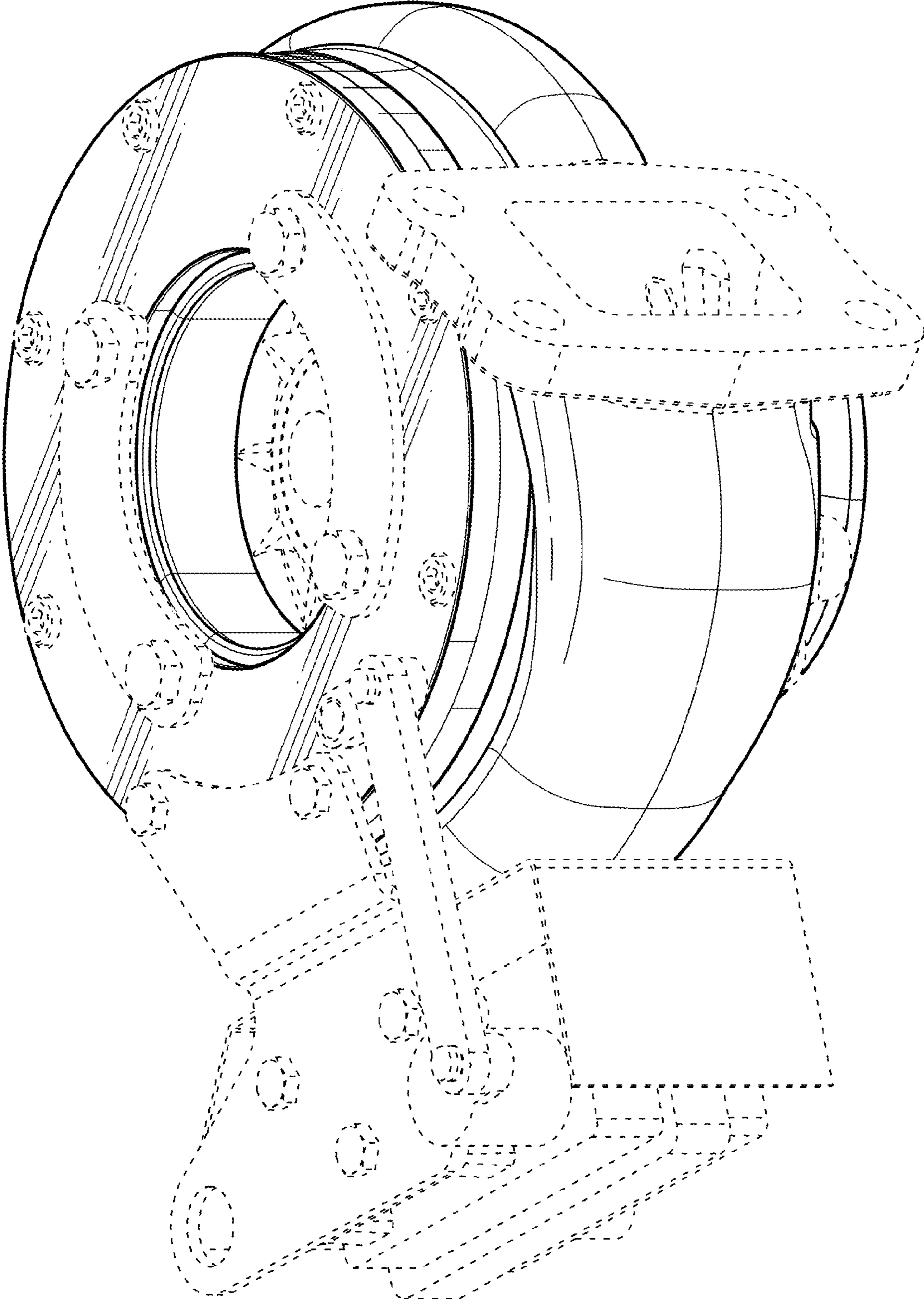


FIG. 11

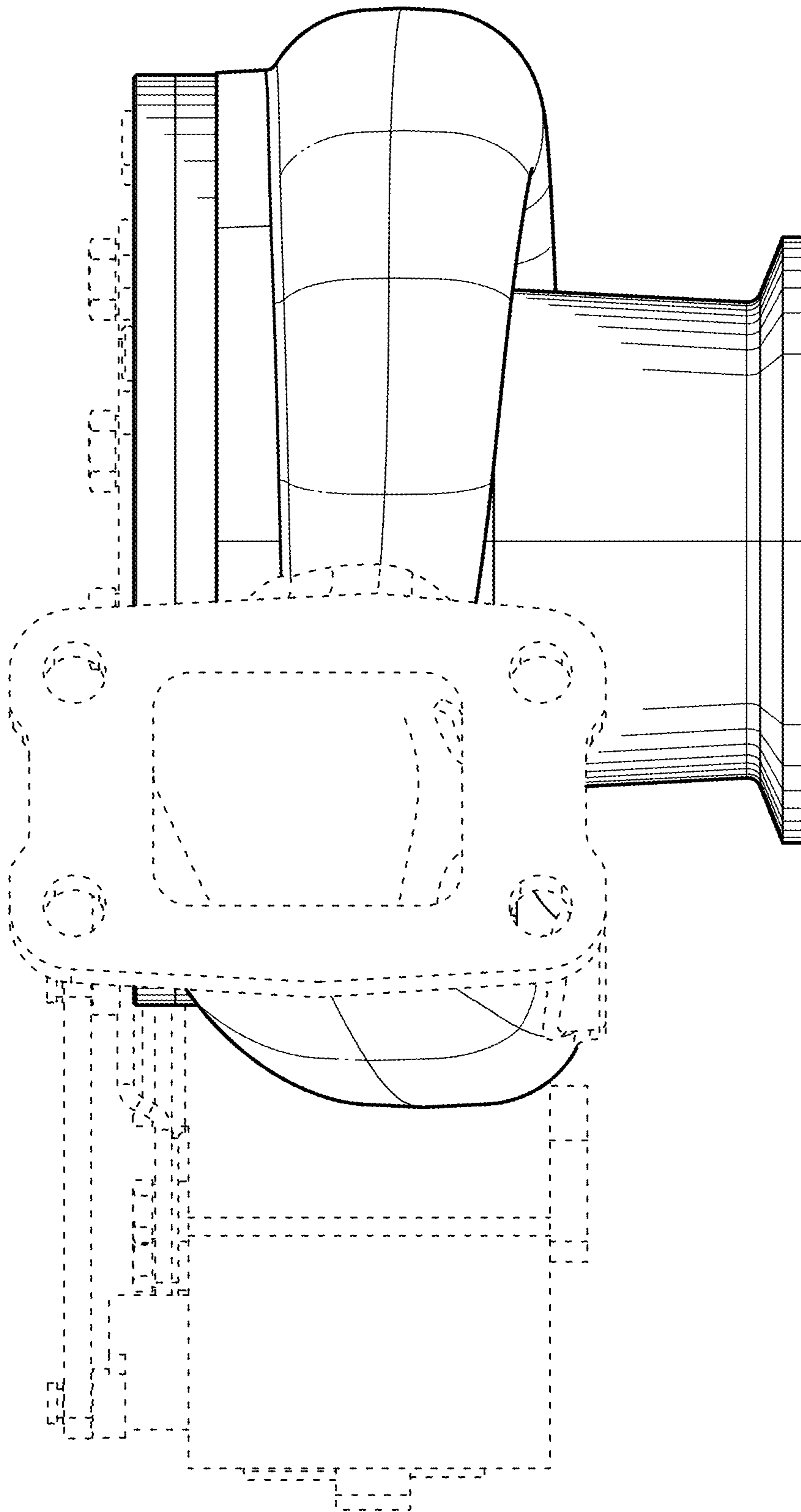


FIG. 12

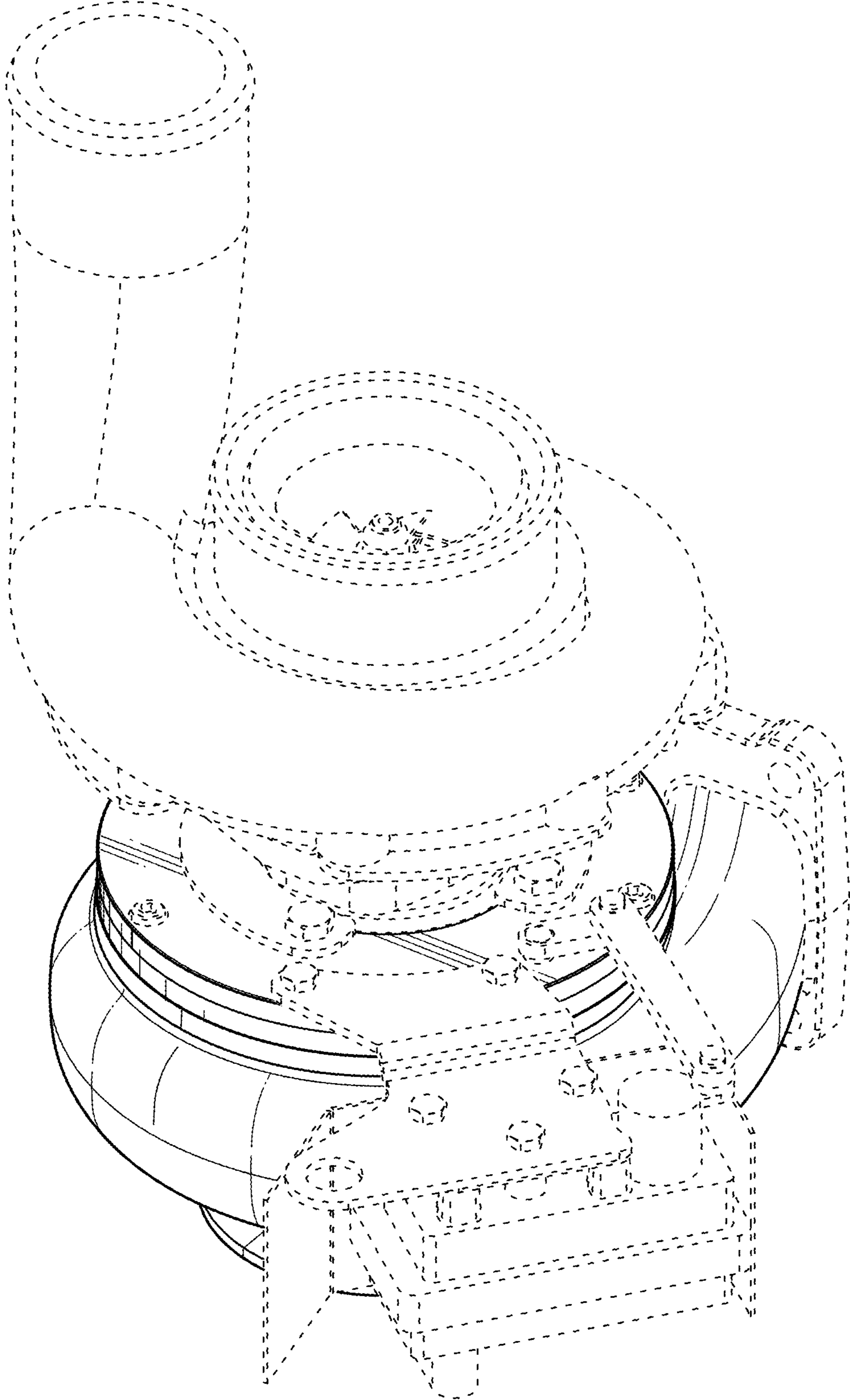


FIG. 13

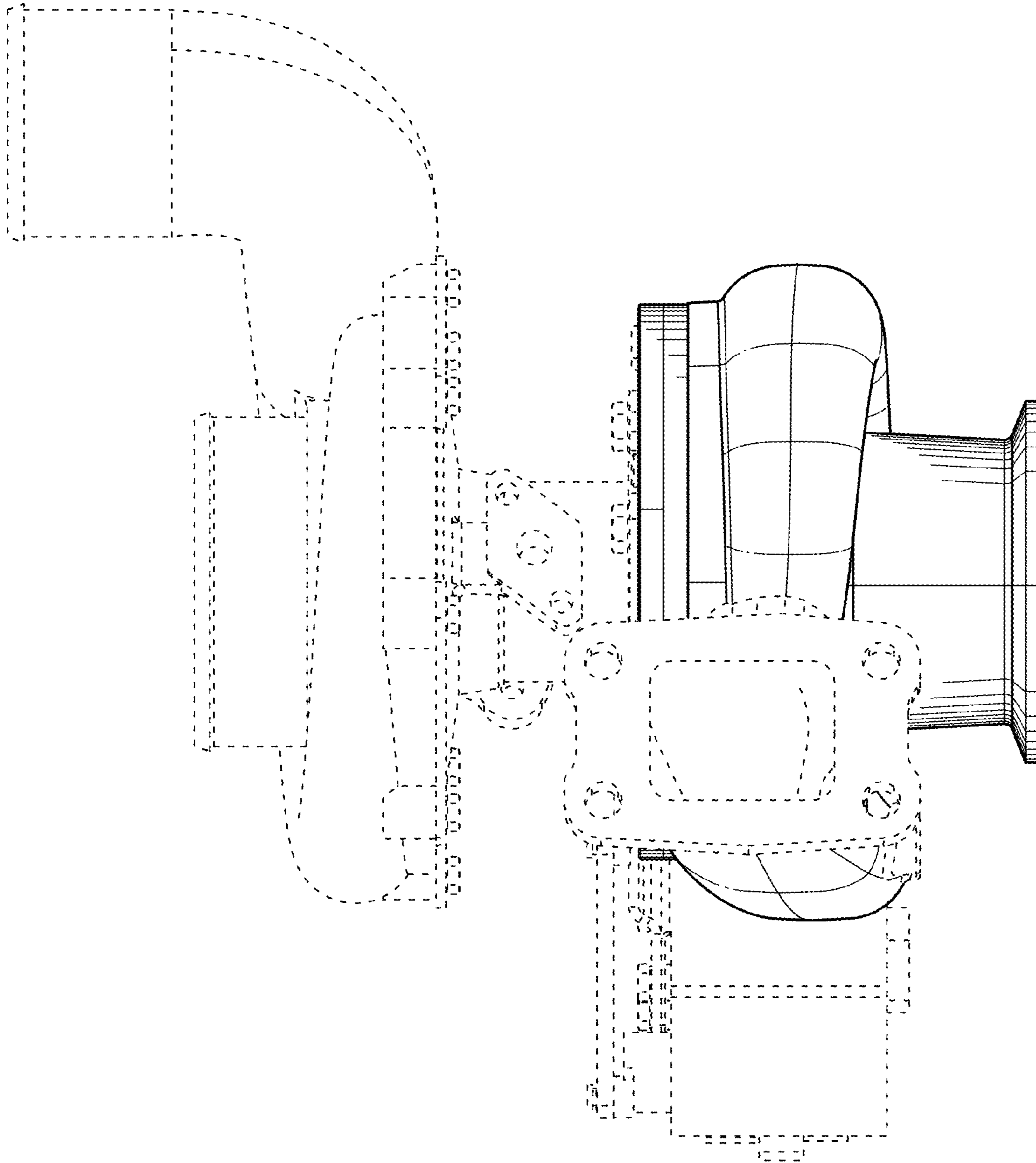


FIG. 14