



US00D894955S

(12) **United States Design Patent** (10) **Patent No.:** **US D894,955 S**
Cazamias (45) **Date of Patent:** **** Sep. 1, 2020**

(54) **DISPLAY PANEL OR PORTION THEREOF WITH A TRANSITIONAL MIXED REALITY GRAPHICAL USER INTERFACE**

(71) Applicant: **MAGIC LEAP, INC.**, Plantation, FL (US)

(72) Inventor: **Jordan Alexander Cazamias**, Menlo Park, CA (US)

(73) Assignee: **Magic Leap, Inc.**, Plantation, FL (US)

(**) Term: **15 Years**

(21) Appl. No.: **29/640,707**

(22) Filed: **Mar. 16, 2018**

(51) **LOC (12) Cl.** **14-04**

(52) **U.S. Cl.**
USPC **D14/489**

(58) **Field of Classification Search**
USPC D14/485-495; 345/1.1, 1.2, 2.1-2.3, 3.1, 345/902; 715/763, 810, 836, 837, 846, 715/847, 977

(Continued)

(56) **References Cited**

U.S. PATENT DOCUMENTS

D563,981 S * 3/2008 Montagne D14/489
D642,590 S * 8/2011 Jubelirer D14/489

(Continued)

Primary Examiner — Cathron C Brooks

Assistant Examiner — Christian P. McLean

(74) *Attorney, Agent, or Firm* — Vista IP Law Group LLP

(57) **CLAIM**

The ornamental design for a display panel or portion thereof with a transitional mixed reality graphical user interface, as shown and described.

DESCRIPTION

FIG. 1 is a front view of a display panel or portion thereof with a transitional mixed reality graphical user interface showing a first image in a sequence of our design;

FIG. 2 is a front view of a display panel or portion thereof with the graphical user interface showing a second image in the sequence thereof;

FIG. 3 is a front view of a display panel or portion thereof with the graphical user interface showing a third image in the sequence thereof;

FIG. 4 is a front view of a display panel or portion thereof with the graphical user interface showing a fourth image in the sequence thereof;

FIG. 5 is a front view of a display panel or portion thereof with the graphical user interface showing a fifth image in the sequence thereof;

FIG. 6 is a front view of a display panel or portion thereof with the graphical user interface showing a sixth image in the sequence thereof;

FIG. 7 is a front view of a display panel or portion thereof with the graphical user interface showing a seventh image in the sequence thereof;

FIG. 8 is a front view of a display panel or portion thereof with the graphical user interface showing an eighth image in the sequence thereof;

FIG. 9 is a front view of a display panel or portion thereof with the graphical user interface showing a ninth image in the sequence thereof;

FIG. 10 is a front view of a display panel or portion thereof with the graphical user interface showing a tenth image in the sequence thereof;

FIG. 11 is a front view of a display panel or portion thereof with the graphical user interface showing an eleventh image in the sequence thereof;

FIG. 12 is a front view of a display panel or portion thereof with the graphical user interface showing a twelfth image in the sequence thereof;

FIG. 13 is a front view of a display panel or portion thereof with the graphical user interface showing a thirteenth image in the sequence thereof;

FIG. 14 is a front view of a display panel or portion thereof with the graphical user interface showing a fourteenth image in the sequence thereof;

(Continued)

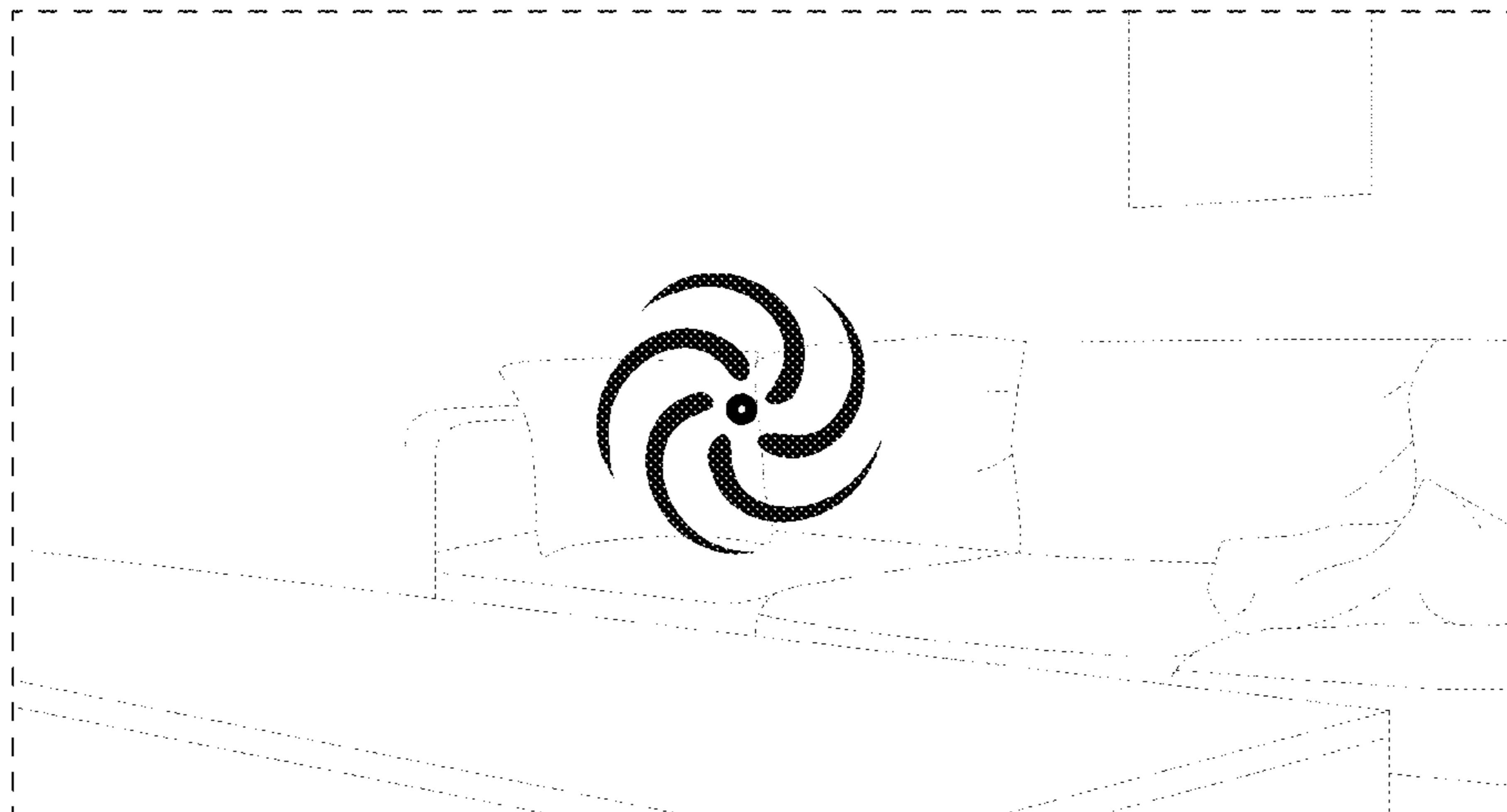


FIG. 15 is a front view of a display panel or portion thereof with the graphical user interface showing a fifteenth image in the sequence thereof;

FIG. 16 is a front view of a display panel or portion thereof with the graphical user interface showing a sixteenth image in the sequence thereof;

FIG. 17 is a front view of a display panel or portion thereof with the graphical user interface showing a seventeenth image in the sequence thereof;

FIG. 18 is a front view of a display panel or portion thereof with the graphical user interface showing a eighteenth image in the sequence thereof;

FIG. 19 is a front view of a display panel or portion thereof with the graphical user interface showing a nineteenth image in the sequence thereof;

FIG. 20 is a front view of a display panel or portion thereof with the graphical user interface showing a twentieth image in the sequence thereof;

FIG. 21 is a front view of a display panel or portion thereof with the graphical user interface showing a twenty-first image in the sequence thereof;

FIG. 22 is a front view of a display panel or portion thereof with the graphical user interface showing a twenty-second image in the sequence thereof;

FIG. 23 is a front view of a display panel or portion thereof with the graphical user interface showing a twenty-third image in the sequence thereof;

FIG. 24 is a front view of a display panel or portion thereof with the graphical user interface showing a twenty-fourth image in the sequence thereof; and,

FIG. 25 is a front view of a display panel or portion thereof with the graphical user interface showing a twenty-fifth image in the sequence thereof.

The appearance of the image sequentially transitions between the images shown in FIGS. 1 through 25. This process or period in which one image transitions into another forms no part of the claimed design.

The outermost broken line rectangle illustrates a display panel or portion thereof that forms no part of the claimed

design. The remaining broken lines illustrate a mixed reality environment and form no part of the claimed design.

1 Claim, 25 Drawing Sheets

(58) **Field of Classification Search**

CPC G06F 3/048; G06F 3/0481; G06F 3/04812; G06F 3/04817; G06F 3/0482; G06F 3/0483; G06F 3/0484; G06F 3/04847; G06F 3/0485; G06F 3/04855; G06F 3/04886; G06Q 30/00; H03J 1/00; H03J 1/0008; H03J 1/0016; H03J 1/0025; H04N 5/00; H04N 5/08; H04N 5/14; H04N 5/222; H04N 5/225; H04N 5/232; H04N 5/445; H04N 5/44543; H04N 5/45; H04N 2005/44517; H04N 2005/44521; H04N 2005/44526; H04N 2005/4453; H04N 2005/44534; H04N 2005/44539; H04N 2005/44547; H04N 2005/44556; H04N 2005/4456; H04N 2005/44565; H04N 2005/44569; H04N 2005/44573; H04N 21/00; H04N 21/234; H04N 21/431; H04N 21/4312; H04N 21/4314; H04N 21/4316

See application file for complete search history.

(56) **References Cited**

U.S. PATENT DOCUMENTS

D682,289	S	*	5/2013	Dijulio	D14/486
D745,050	S	*	12/2015	Kwon	D14/490
D752,058	S	*	3/2016	Kim	D14/485
D754,677	S	*	4/2016	Takizawa	D14/485
D847,846	S	*	5/2019	Peloquin	D14/486
D859,423	S	*	9/2019	Kimura	D14/485
D860,221	S	*	9/2019	Jeon	D14/485
D860,234	S	*	9/2019	Li	D14/486
D864,241	S	*	10/2019	Miglucchi	D14/489
D865,807	S	*	11/2019	Pazmino	D14/489
D879,138	S	*	3/2020	Zurmoehle	D14/489
D882,615	S	*	4/2020	Dye	D14/486

* cited by examiner

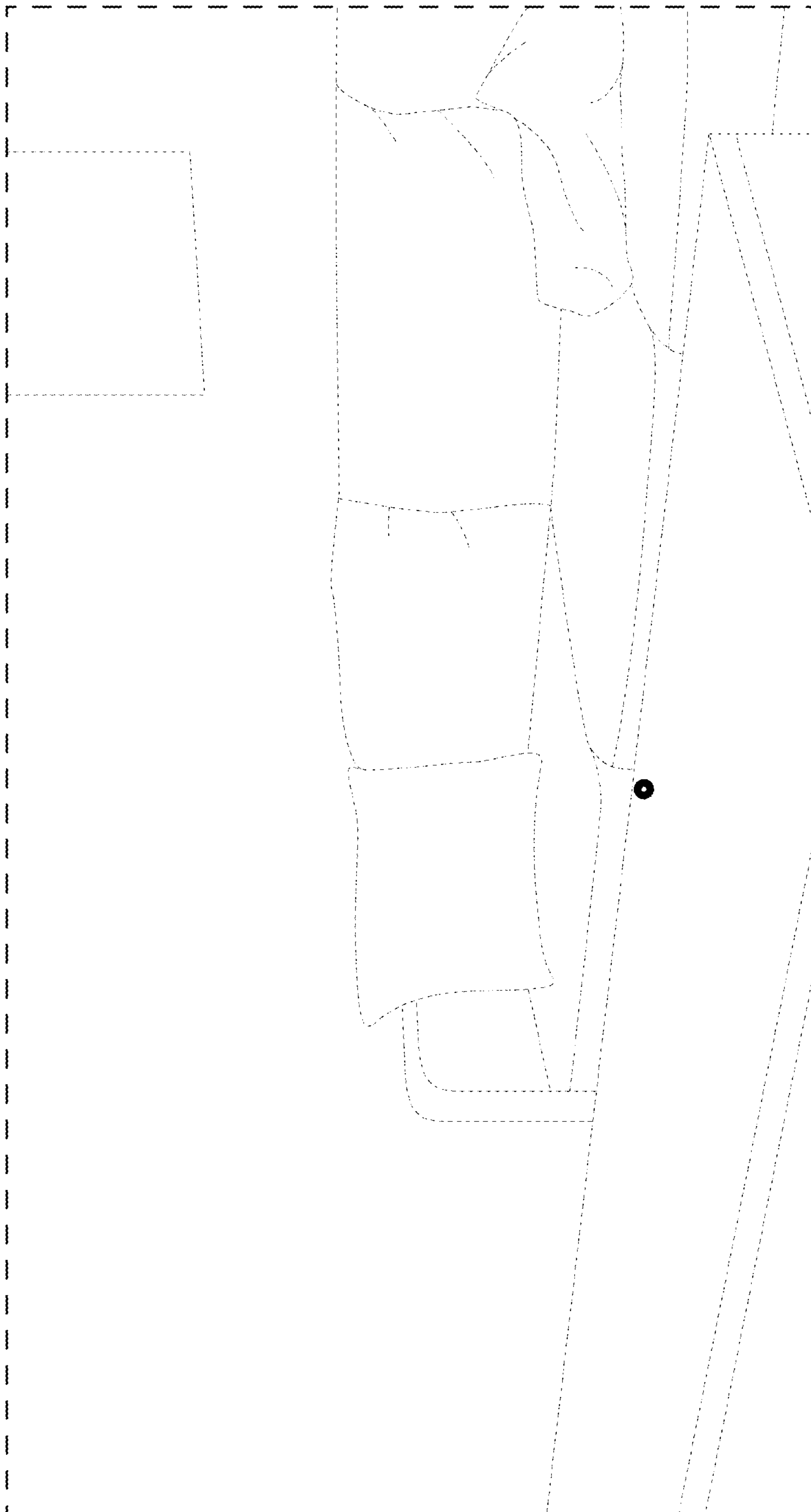


FIG. 1

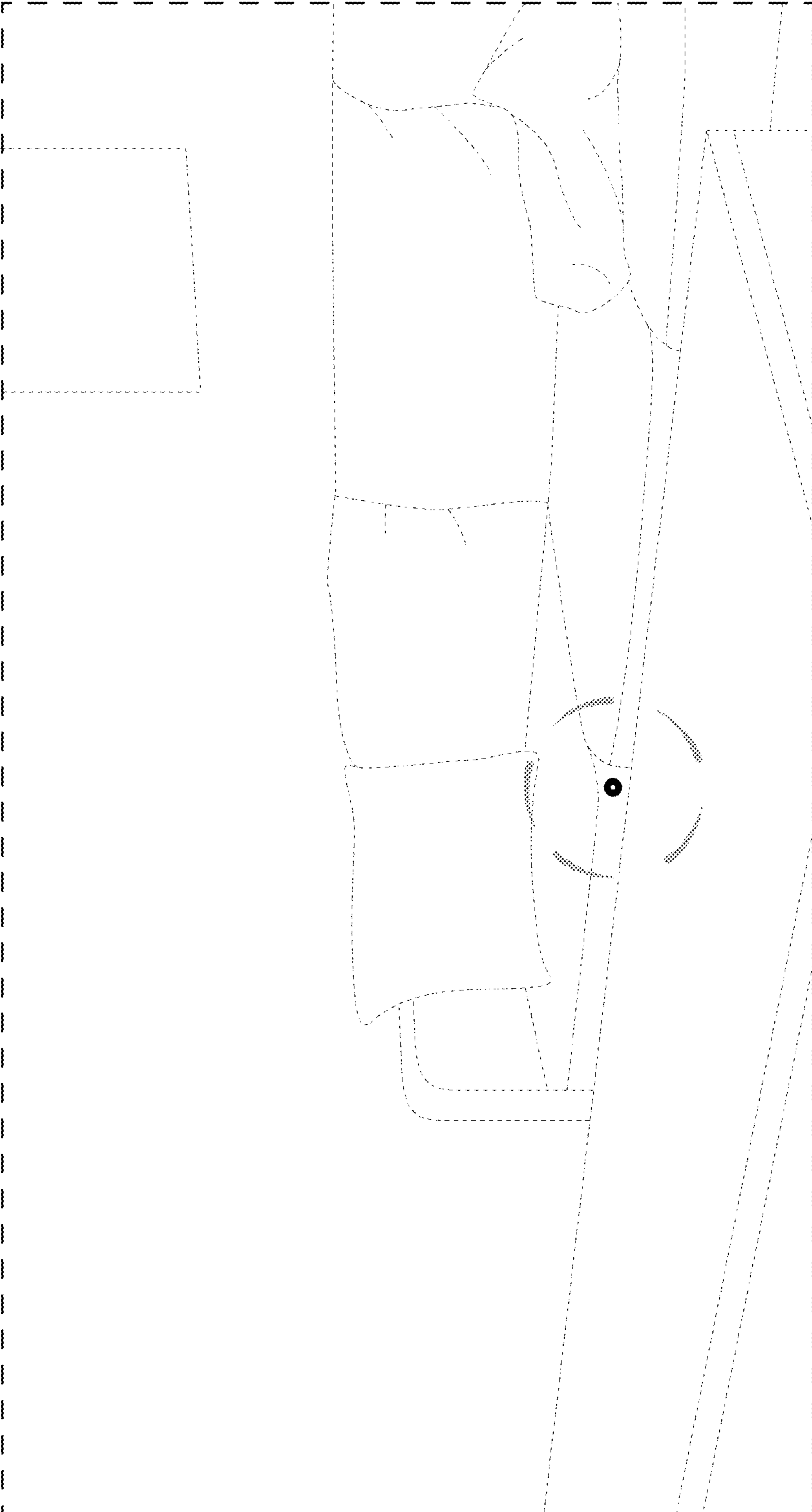


FIG. 2

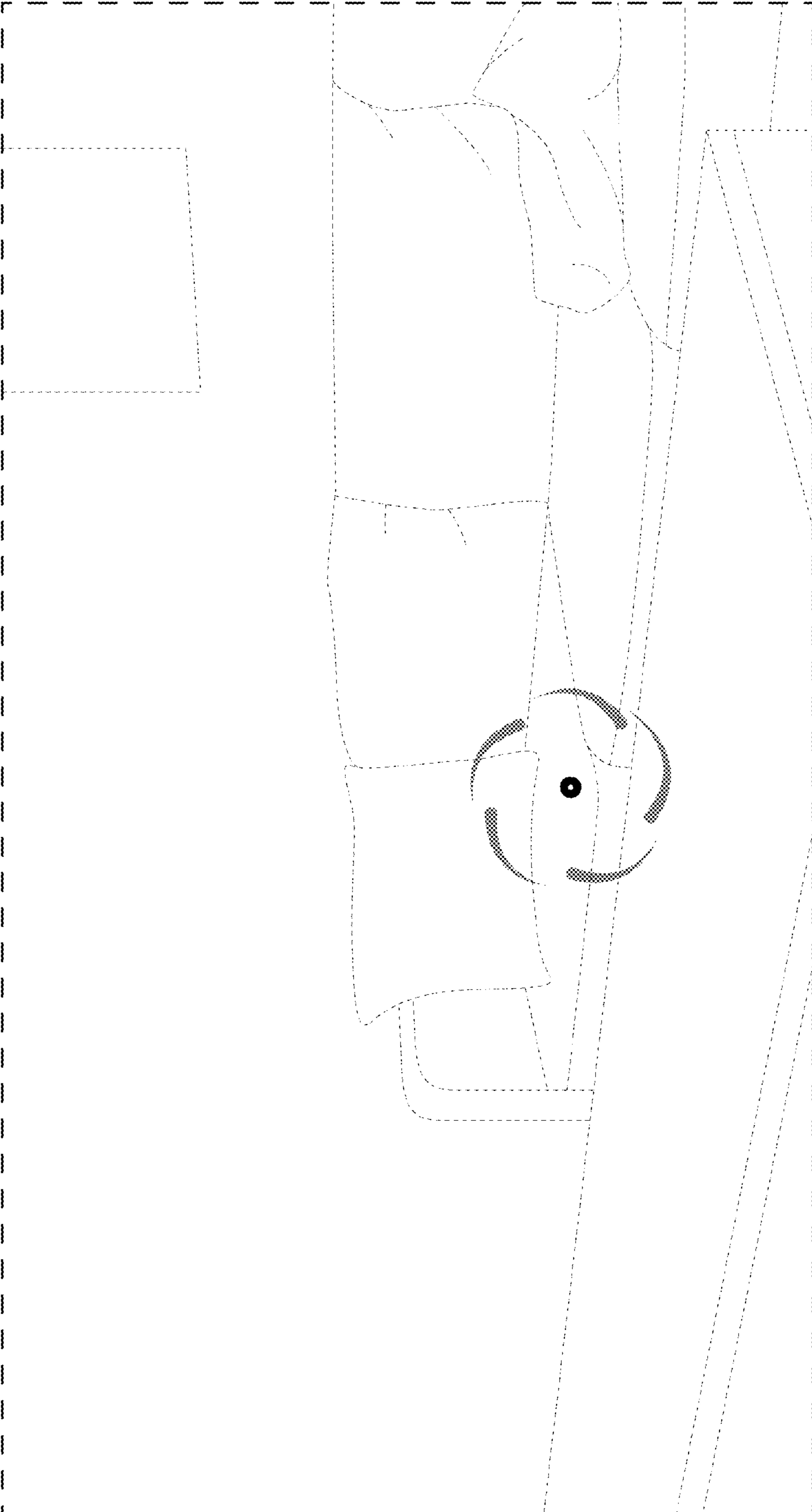


FIG. 3



FIG. 4



FIG. 5

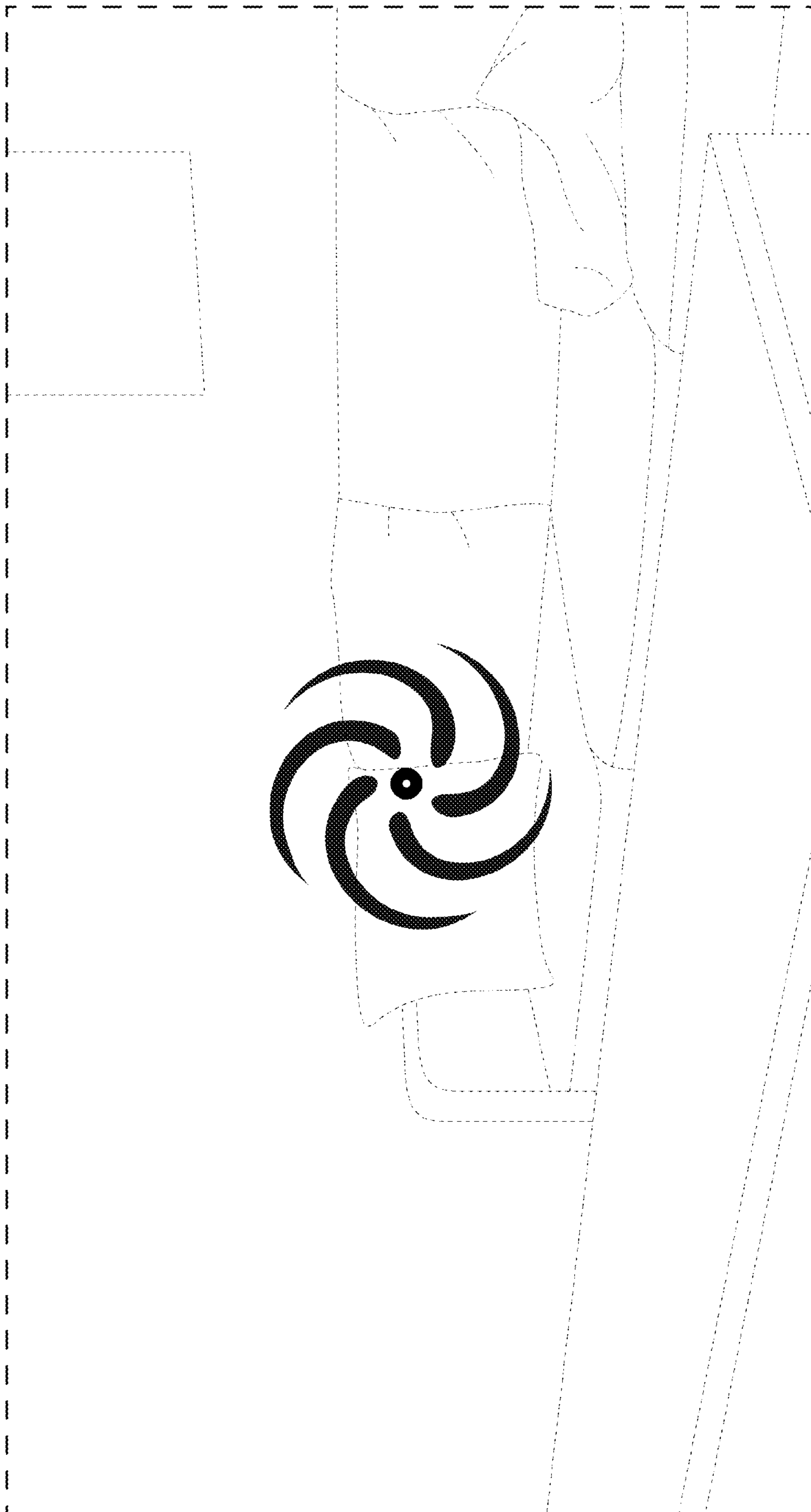


FIG. 6

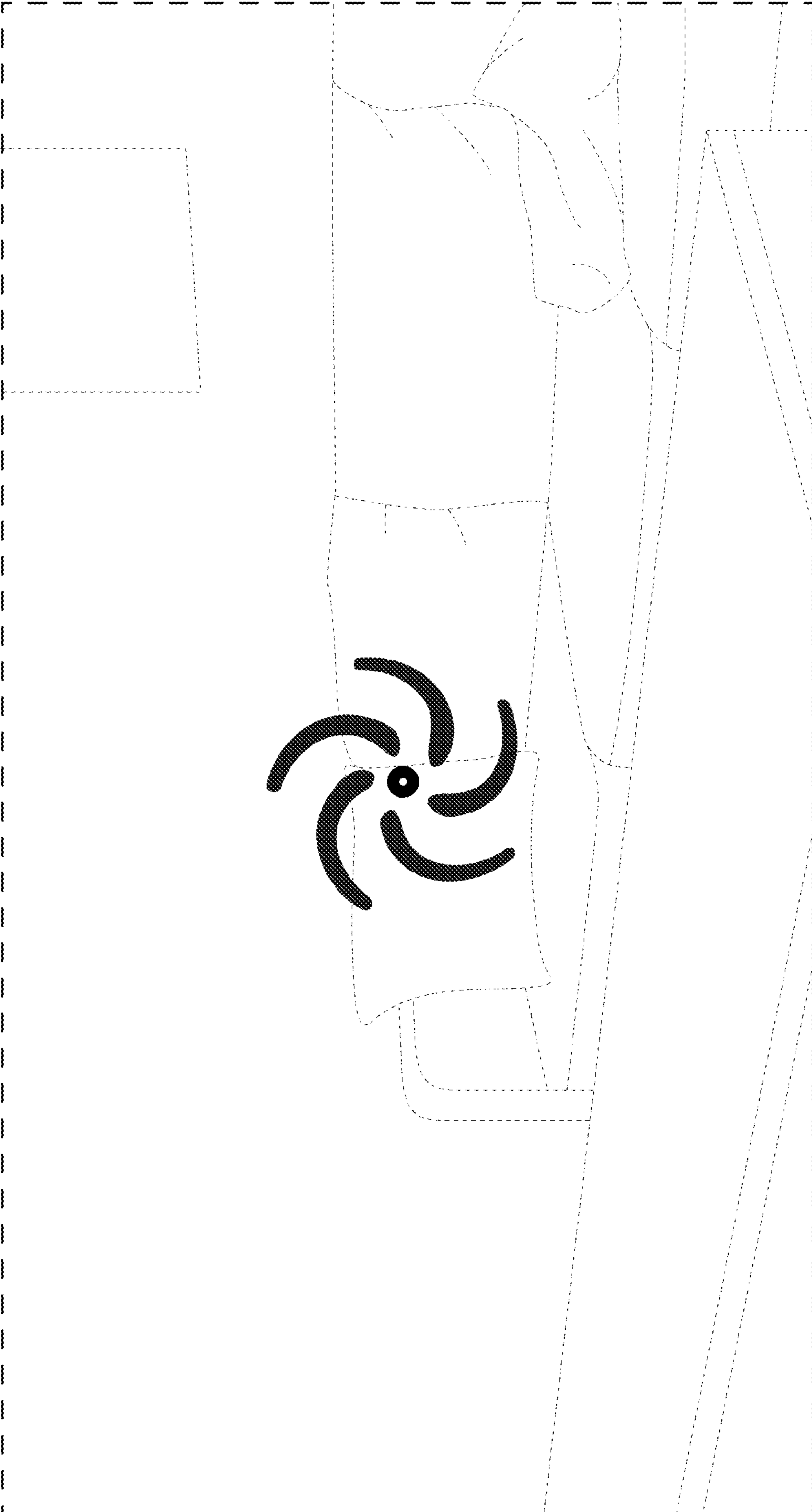


FIG. 7

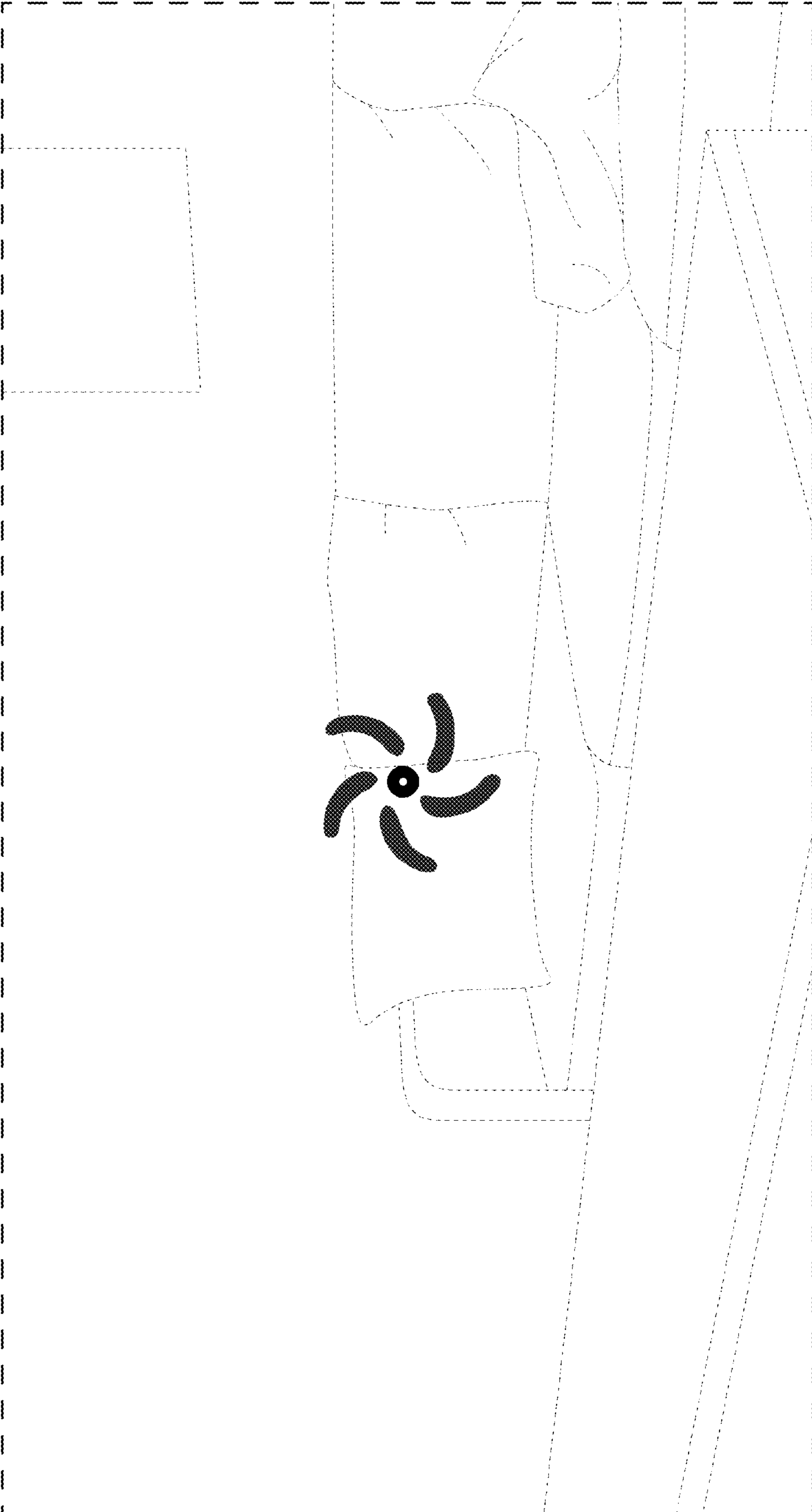


FIG. 8

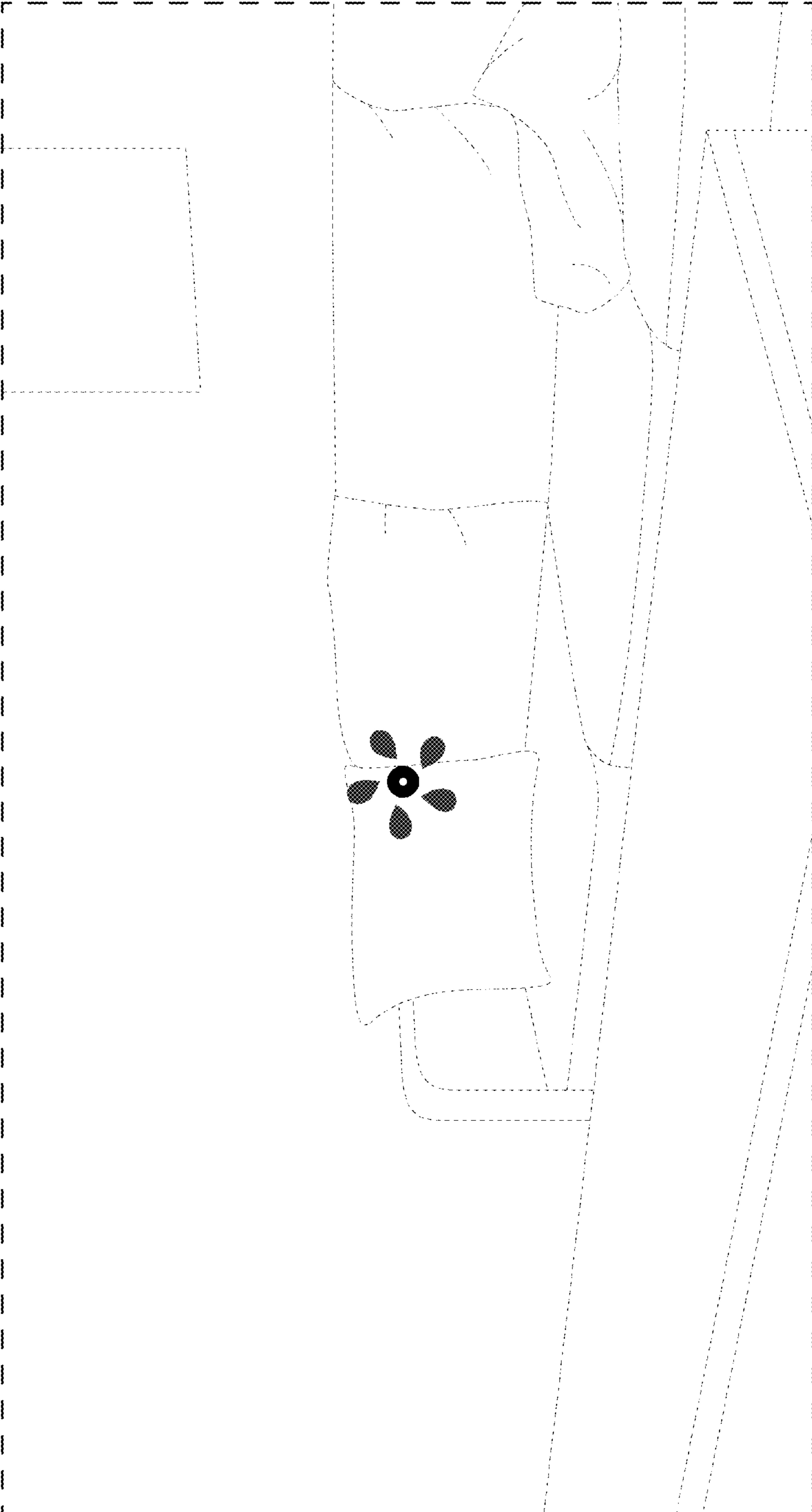


FIG. 9

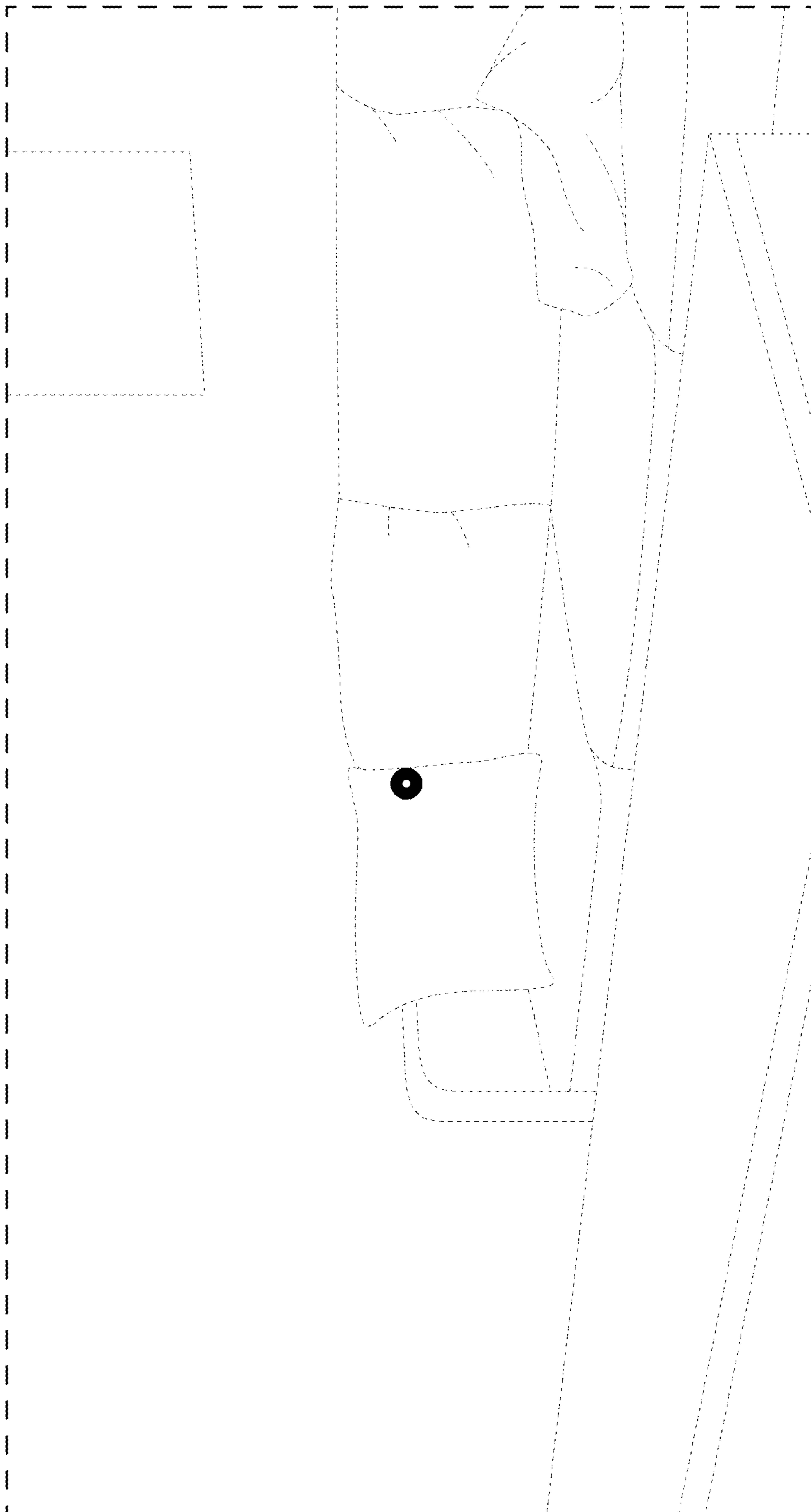


FIG. 10

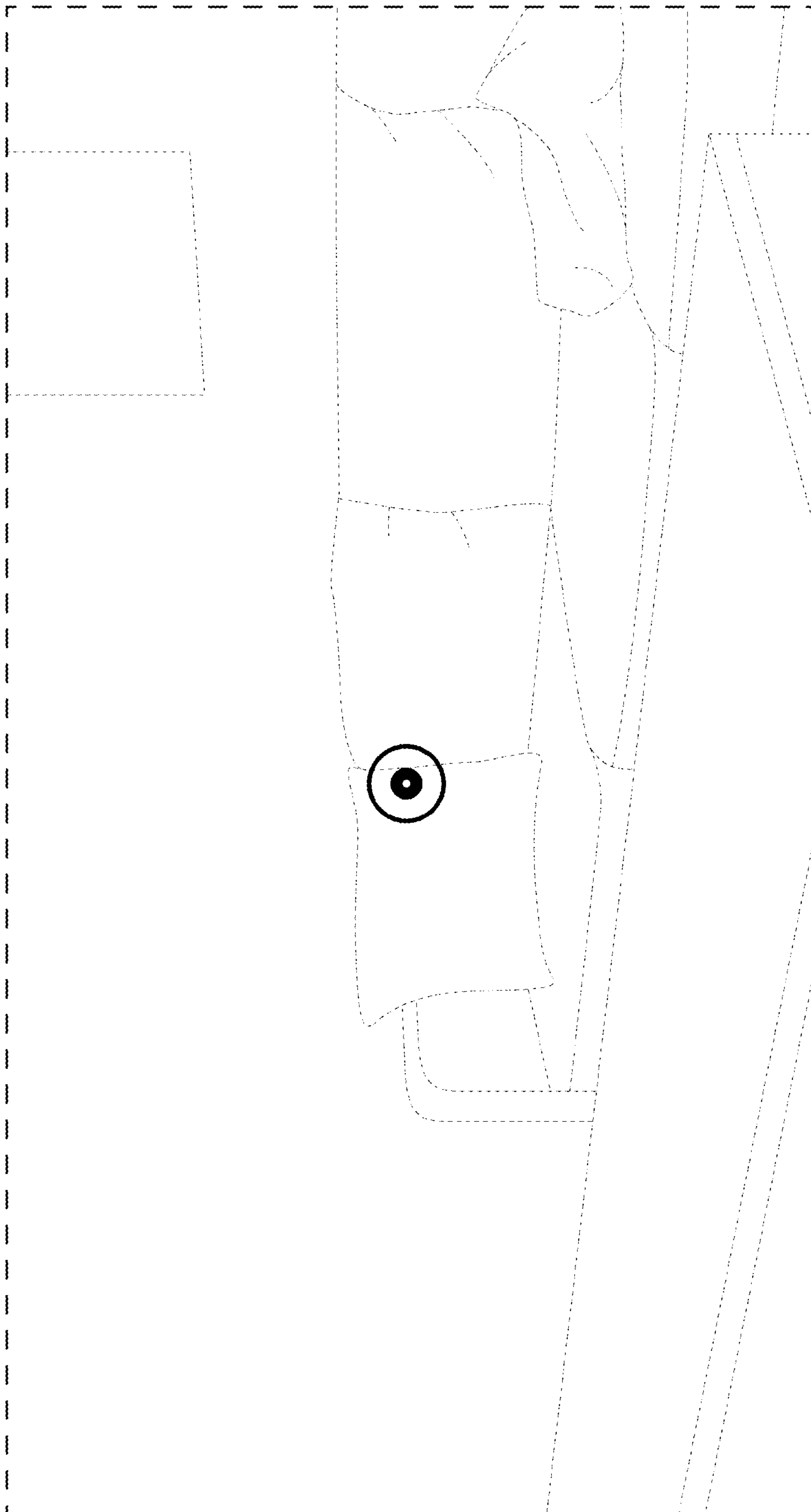


FIG. 11

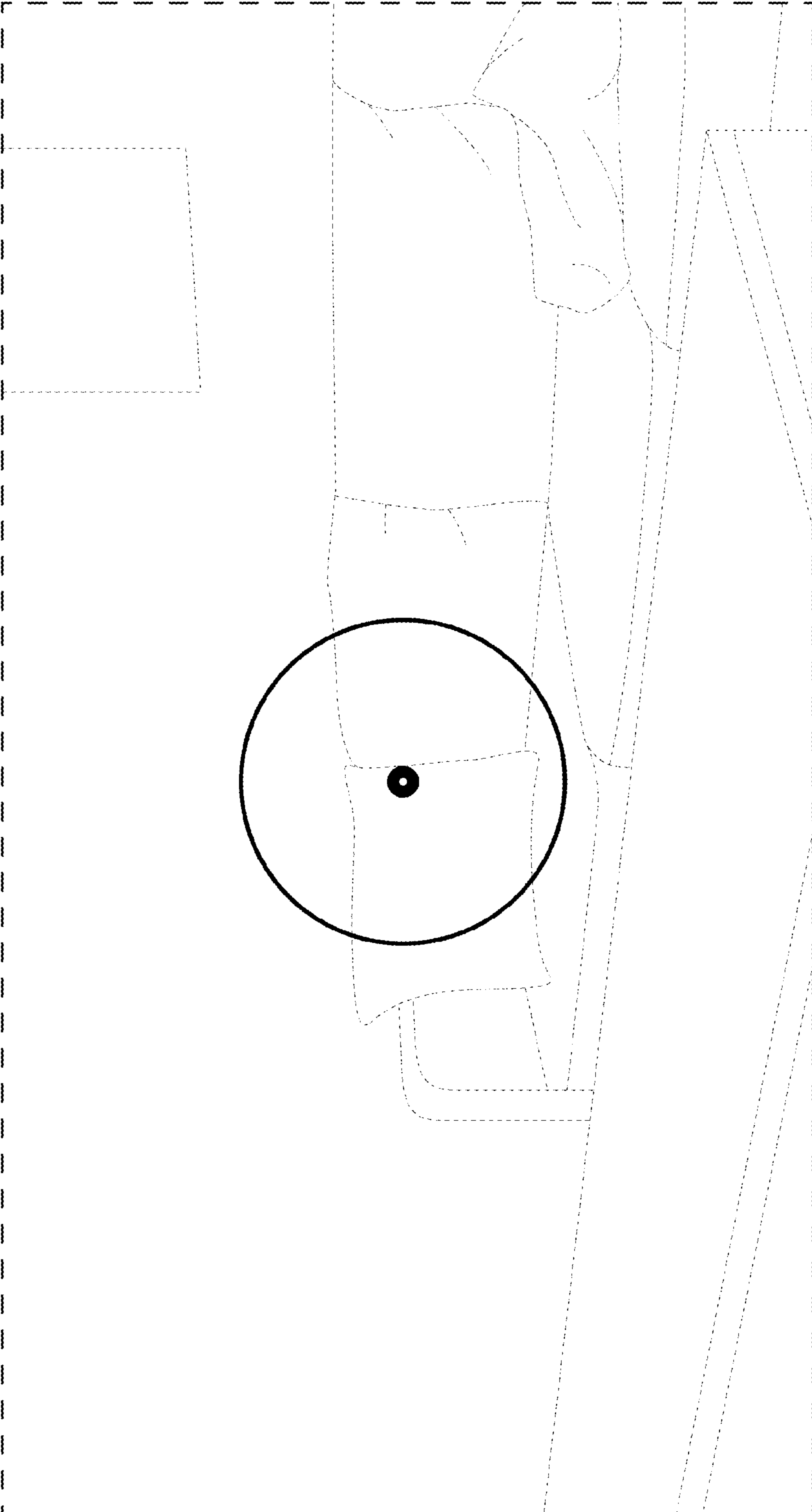


FIG. 12

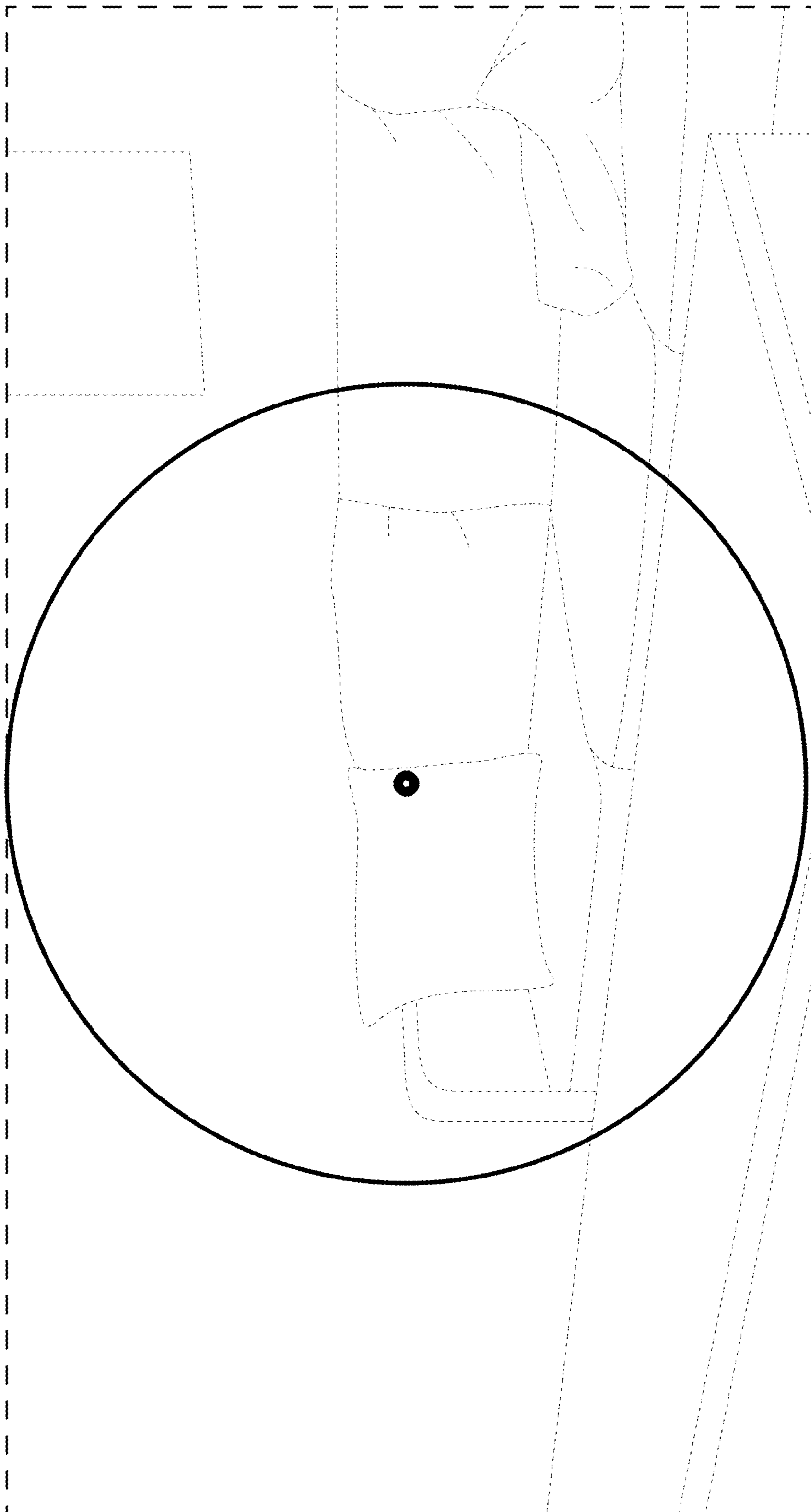


FIG. 13

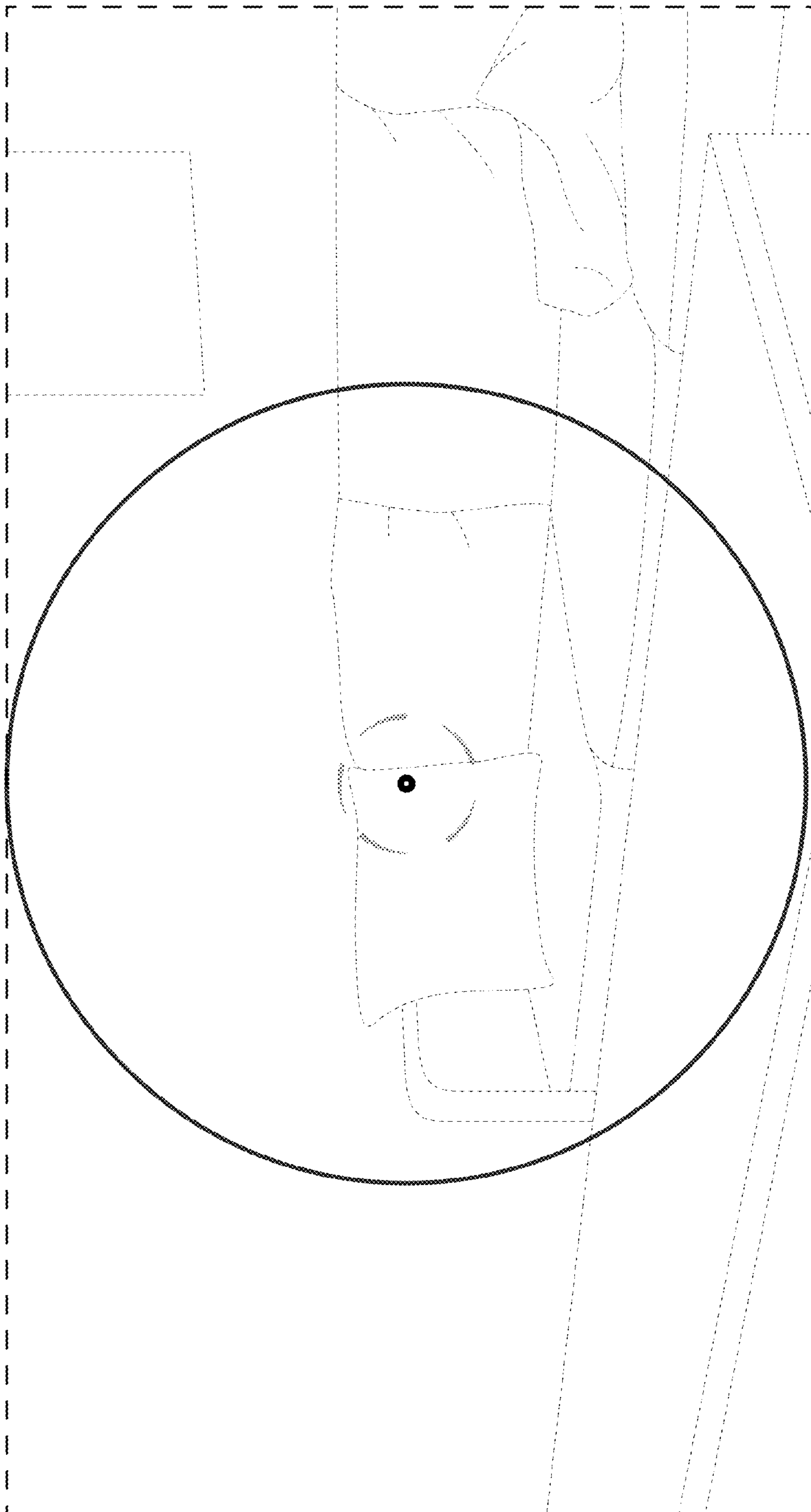


FIG. 14

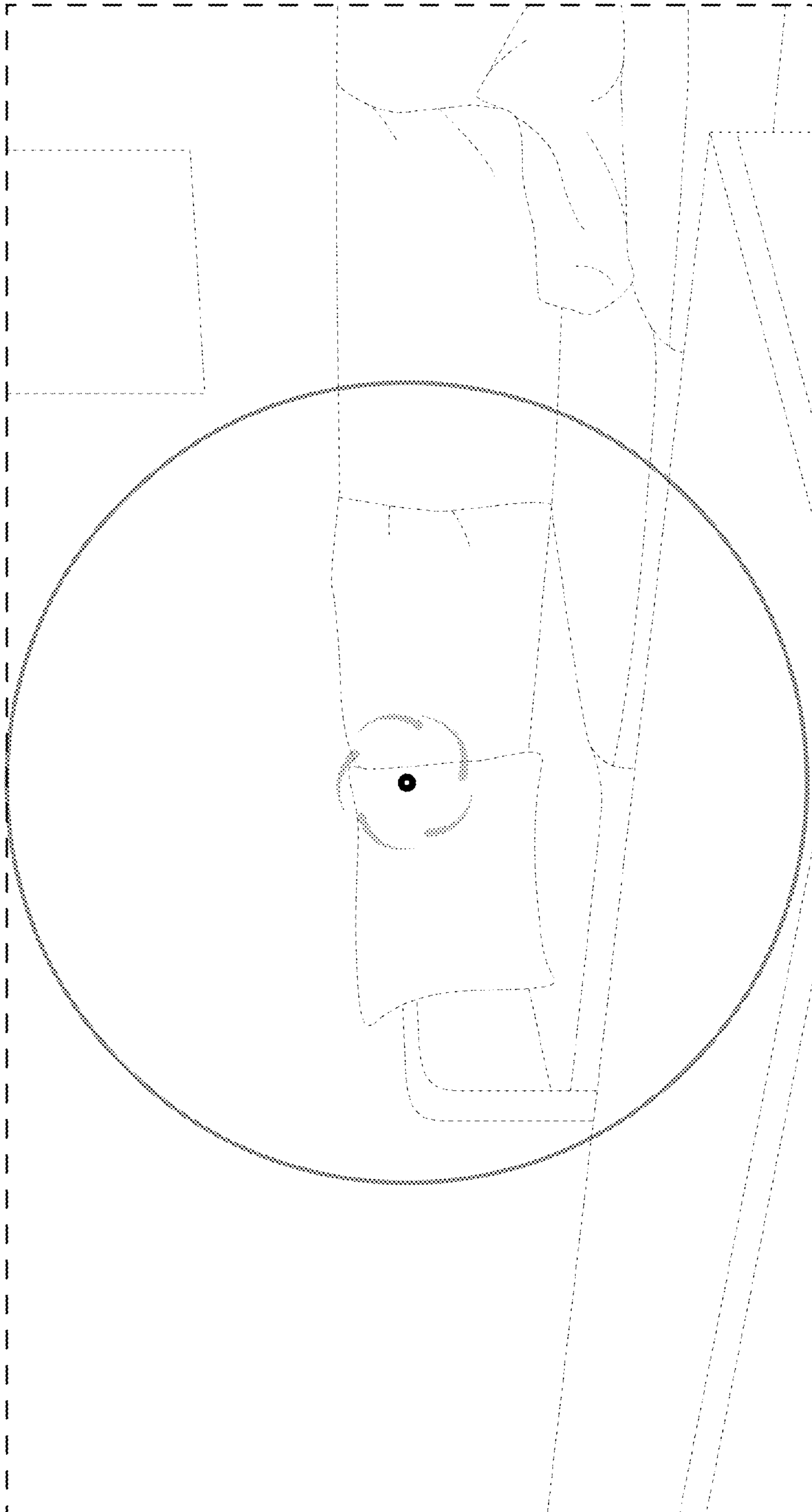


FIG. 15

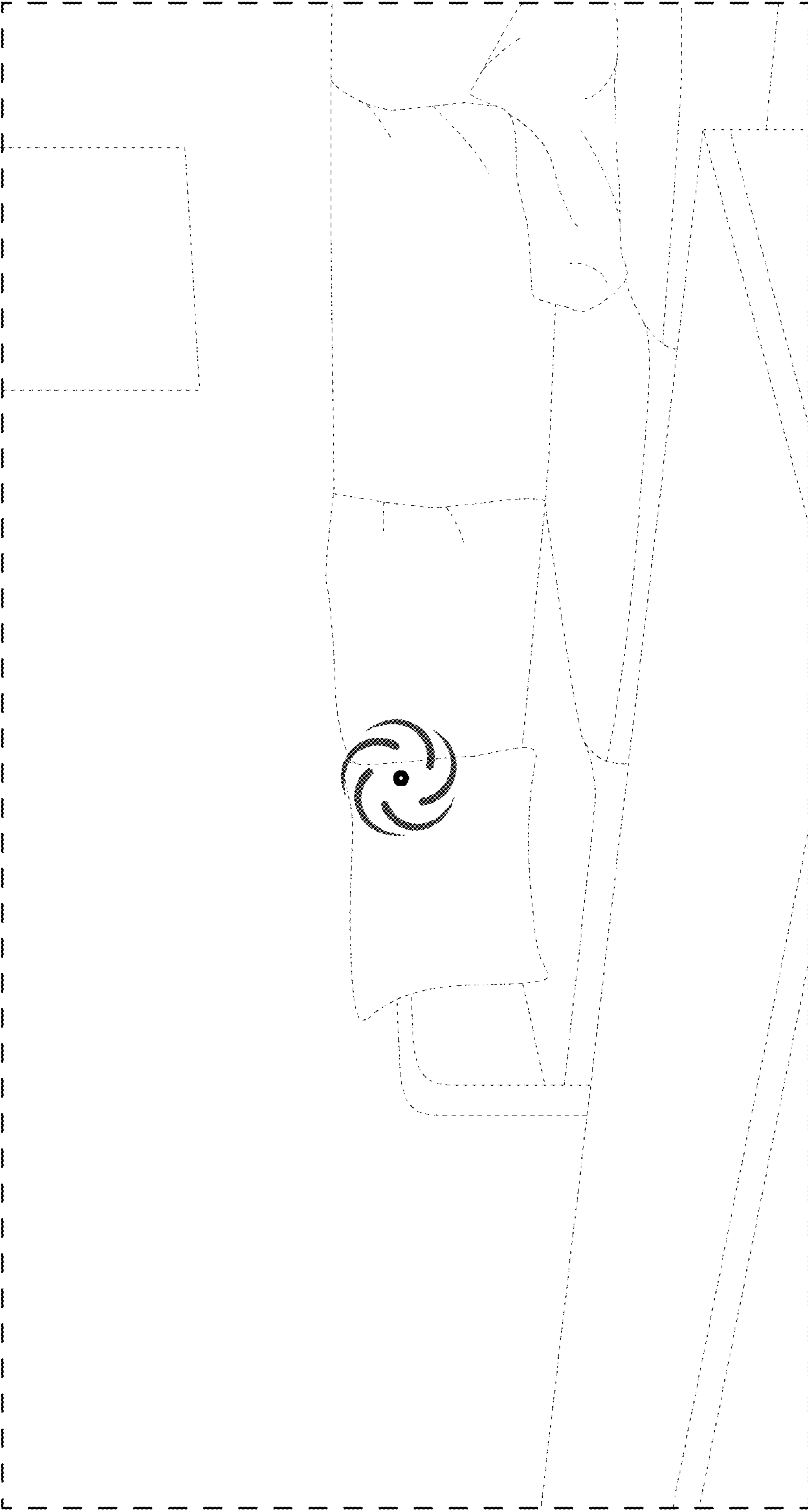


FIG. 16

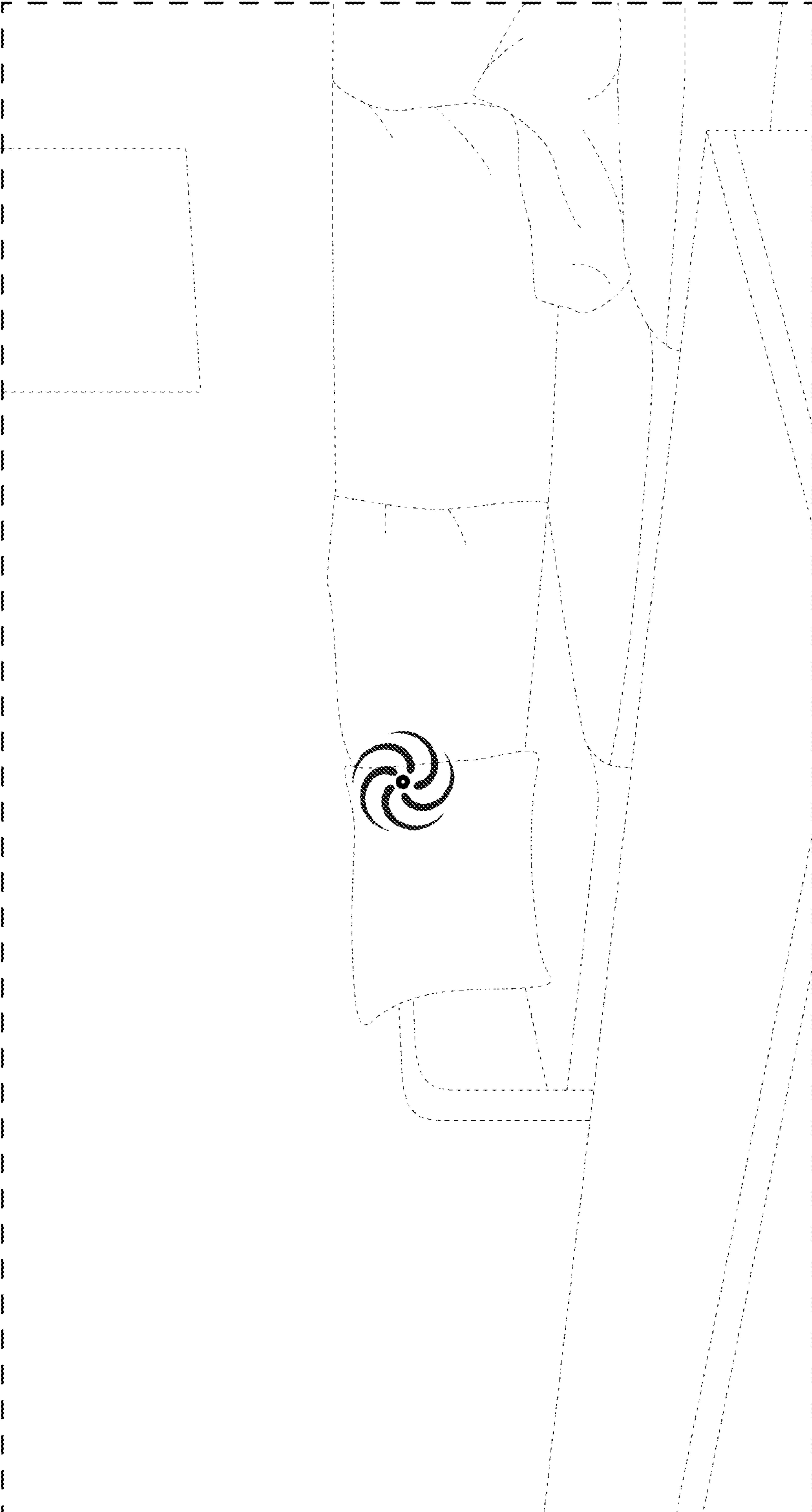


FIG. 17

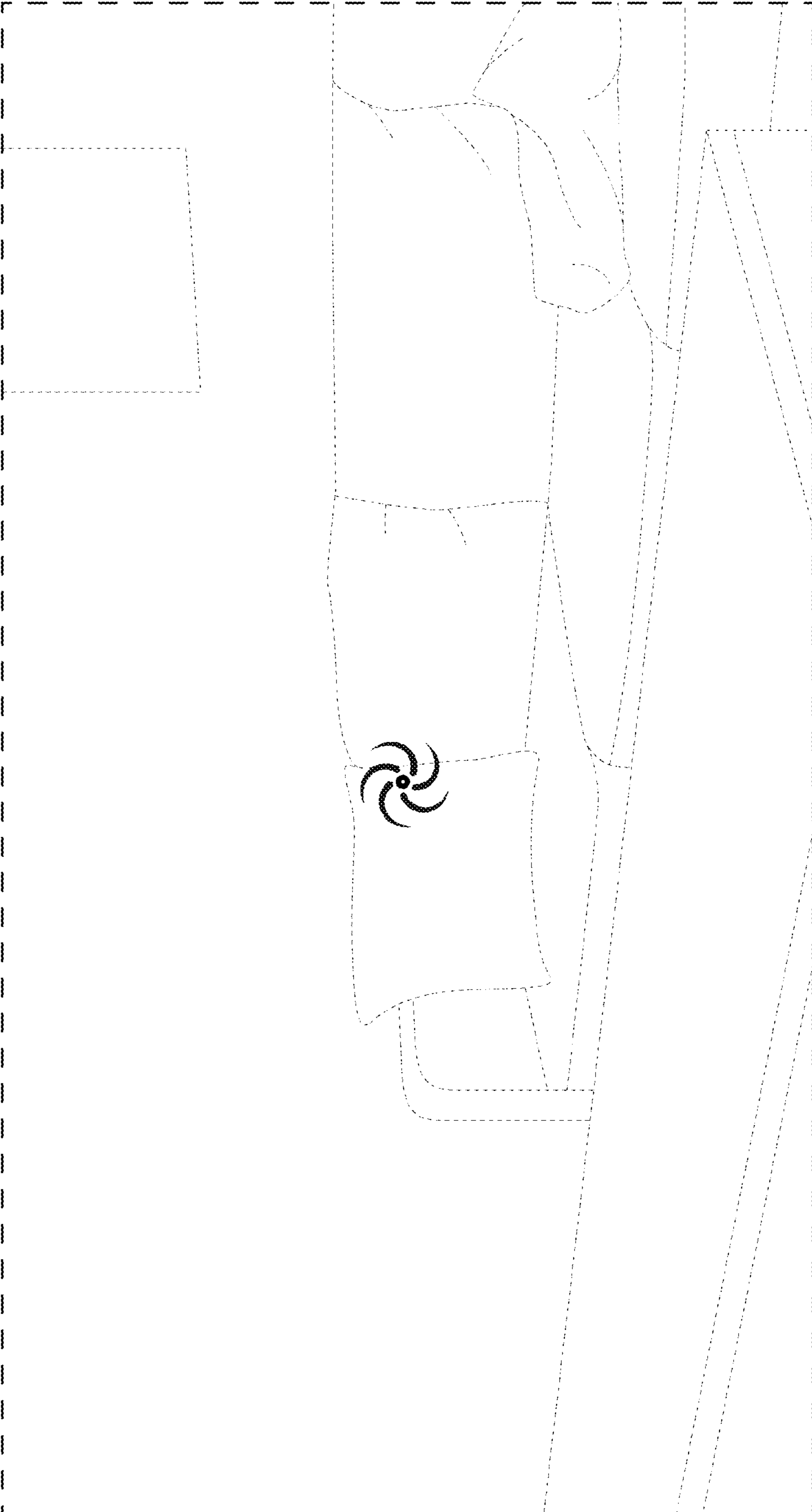


FIG. 18

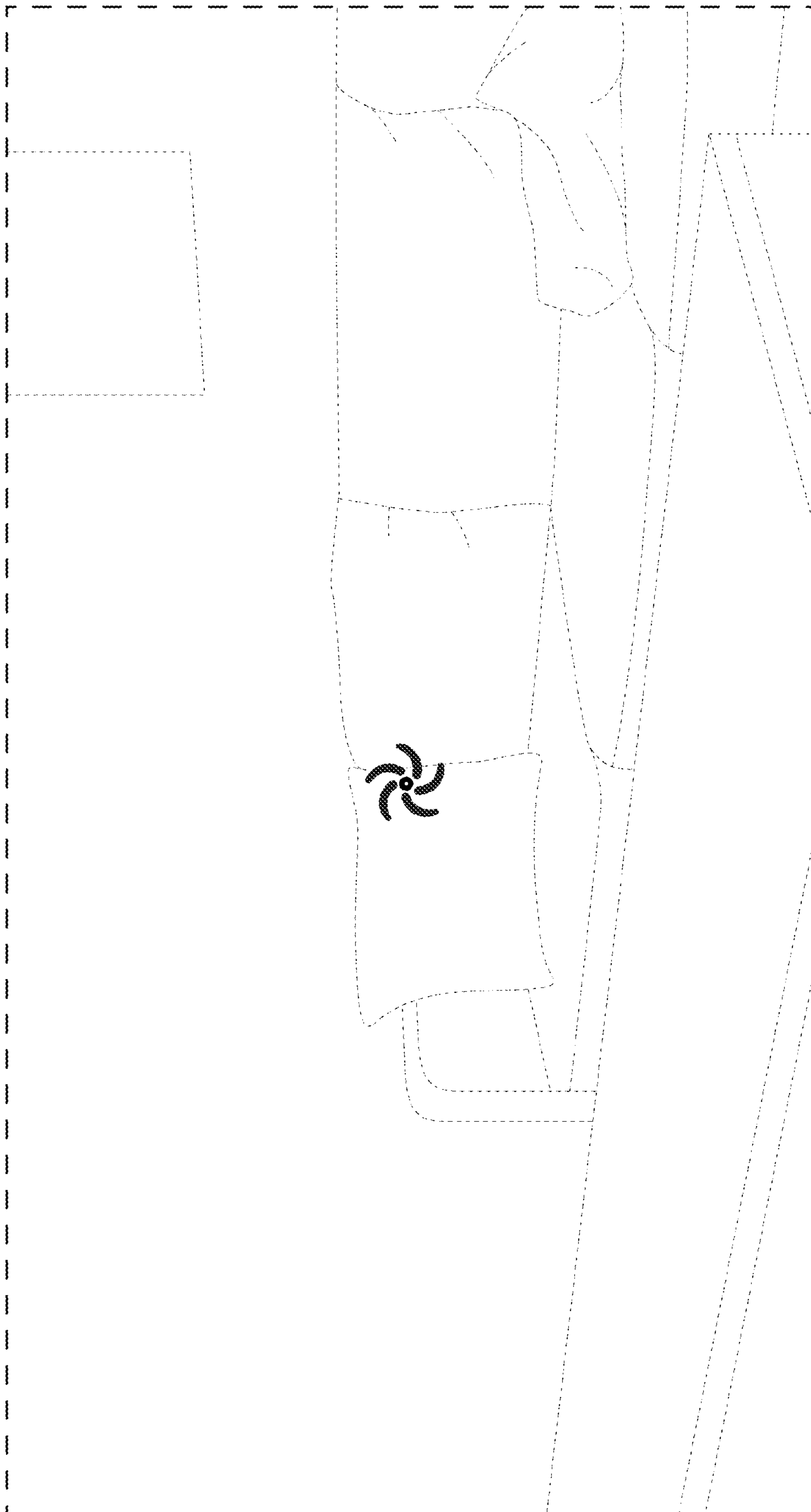


FIG. 19

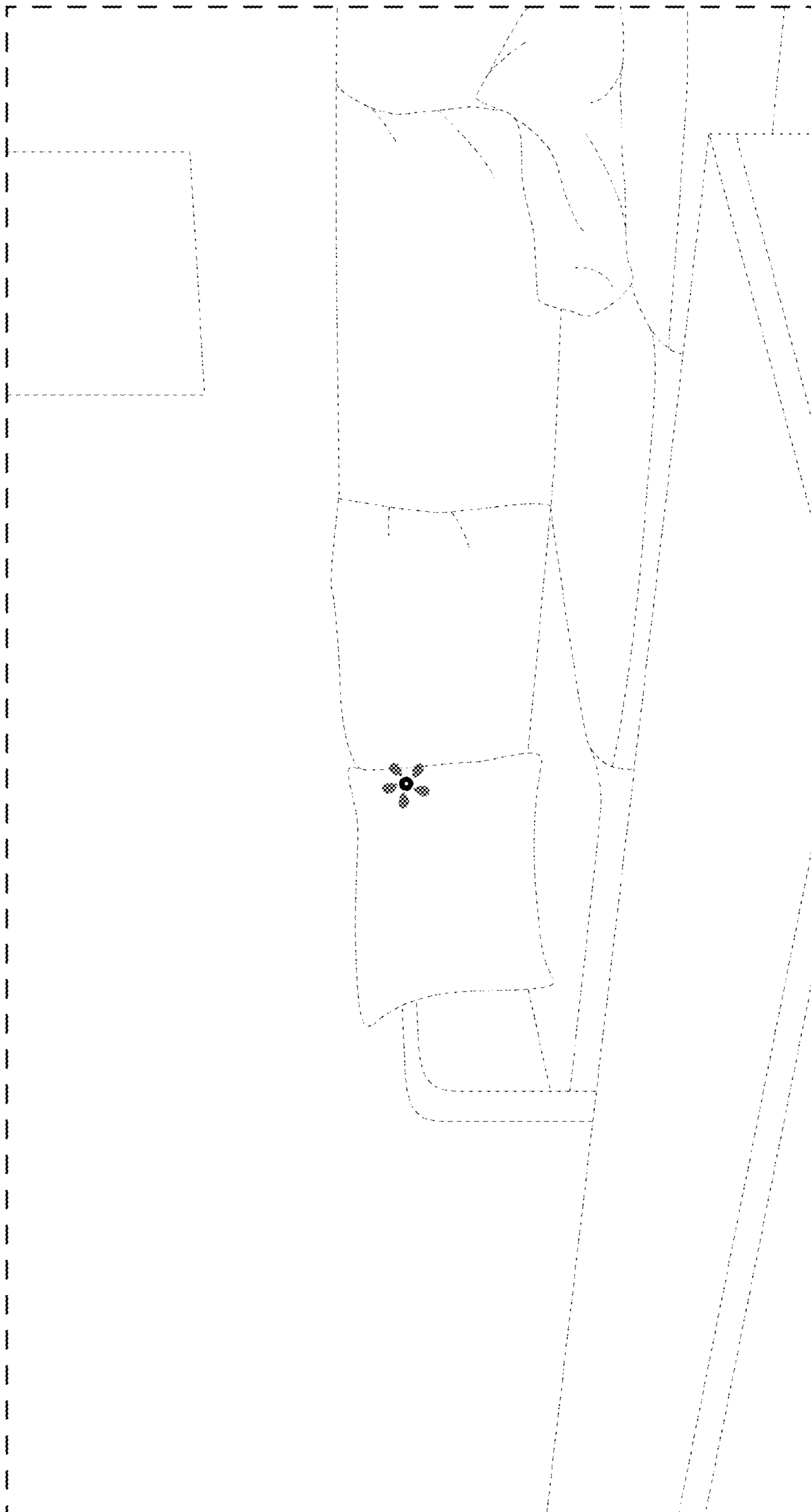


FIG. 20

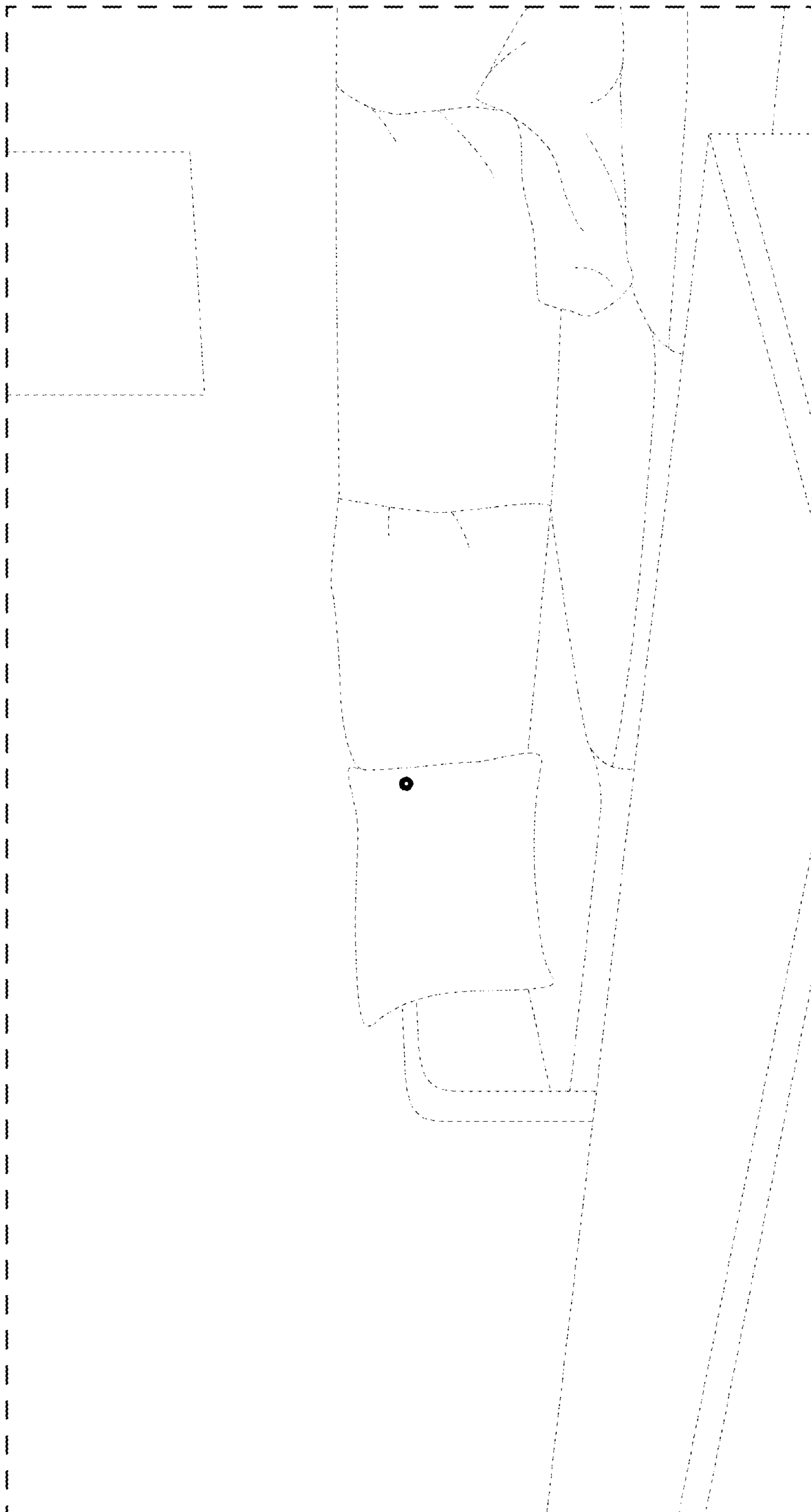


FIG. 21

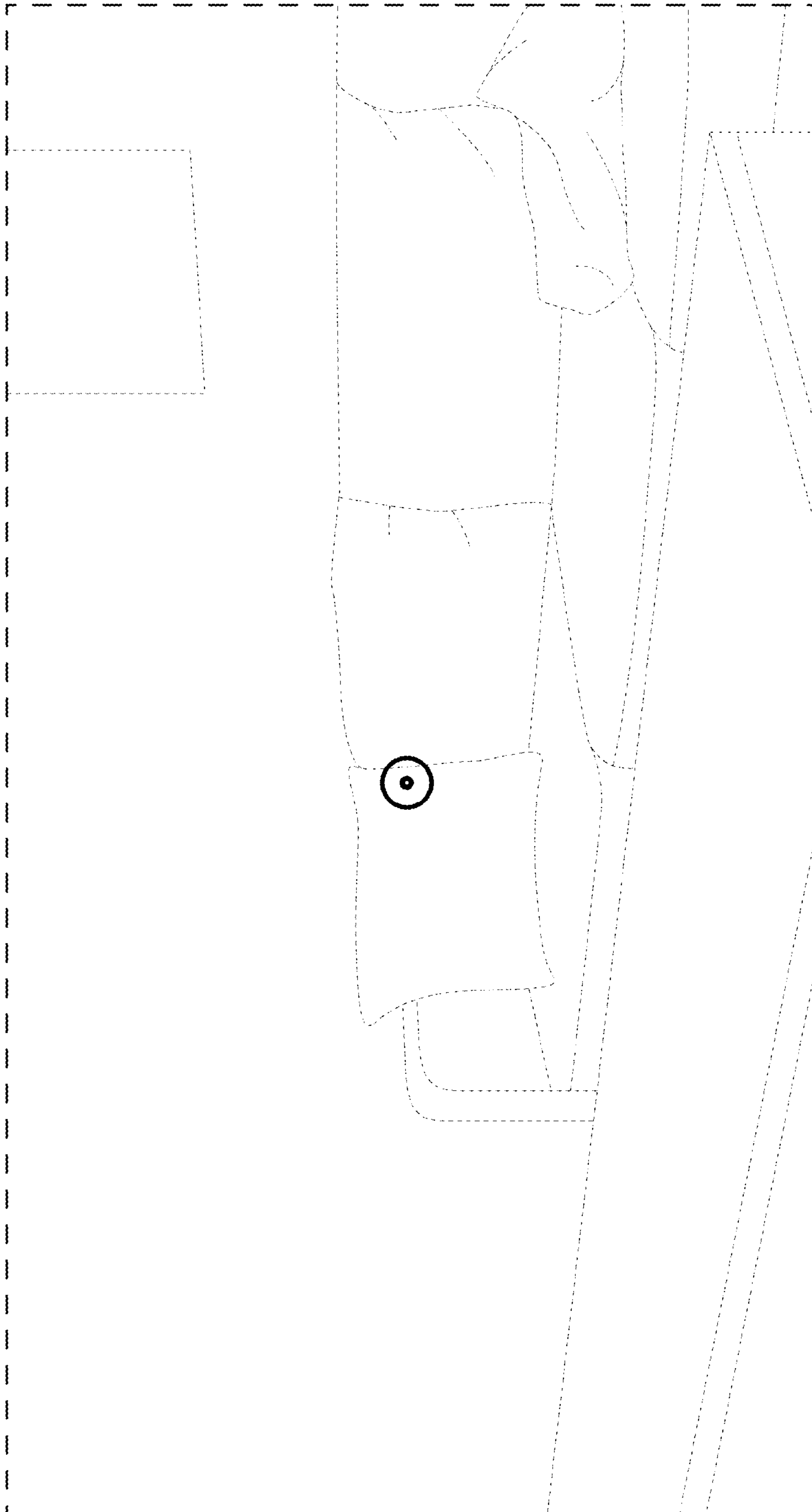


FIG. 22

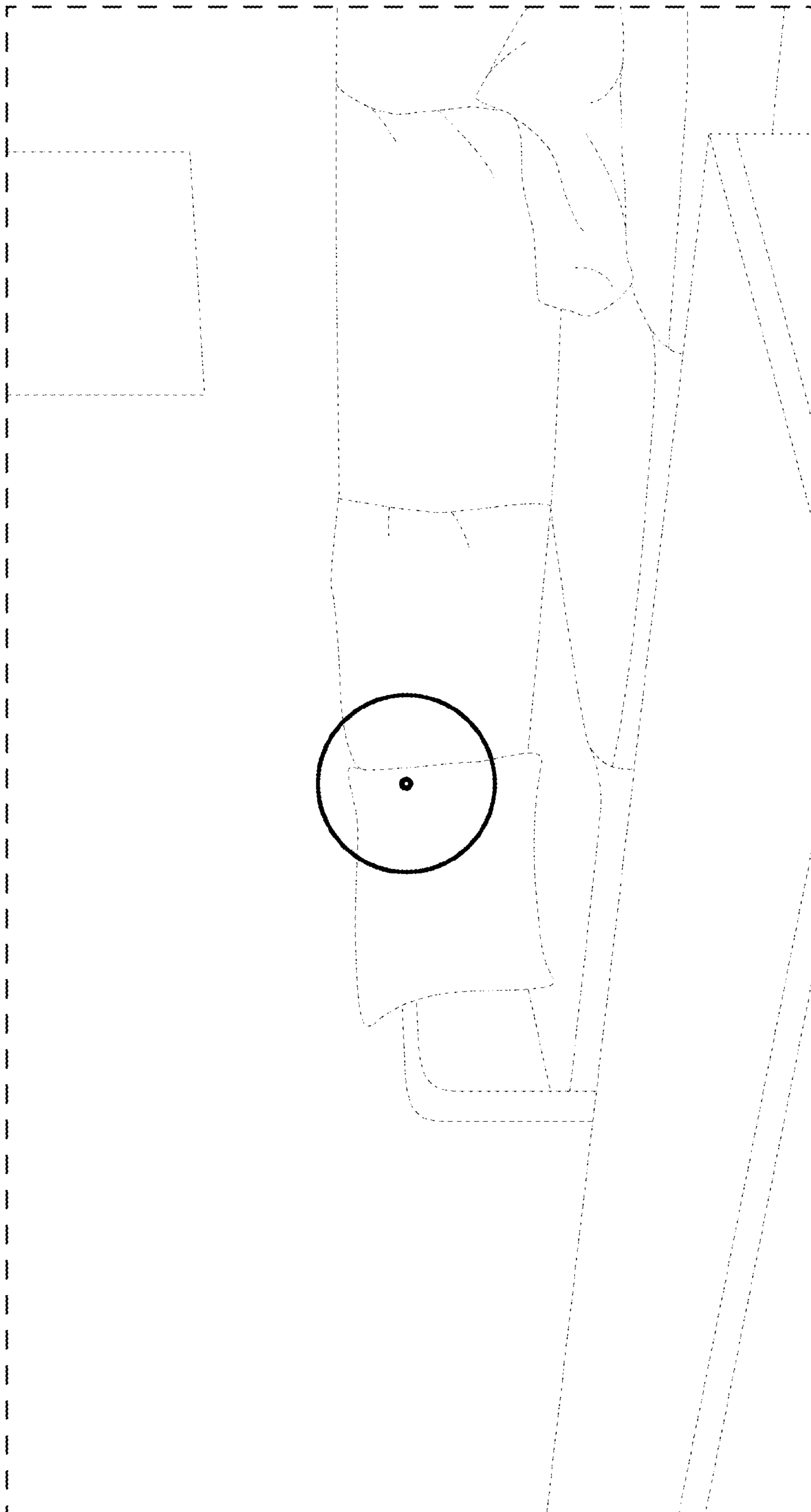


FIG. 23

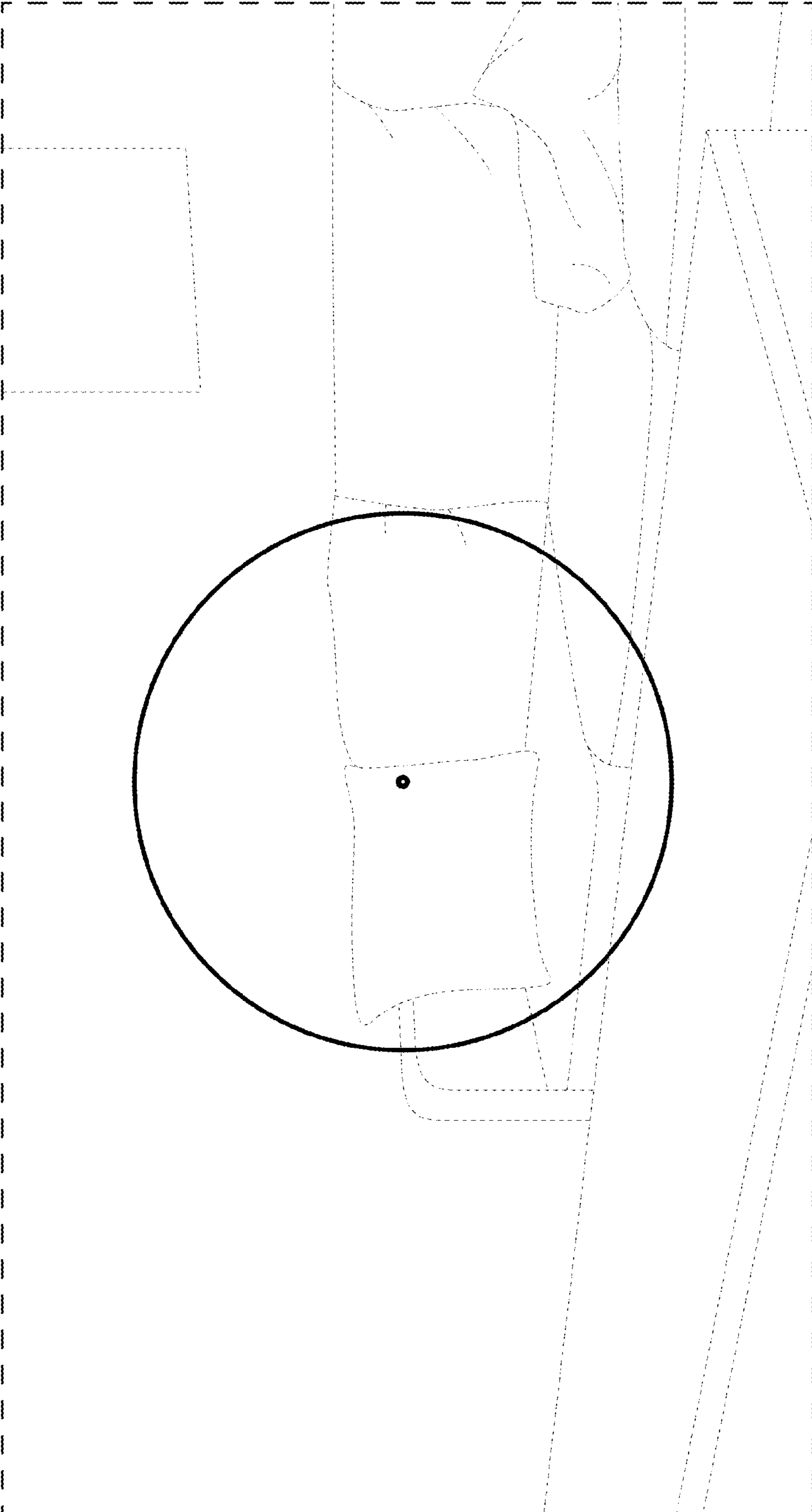


FIG. 24

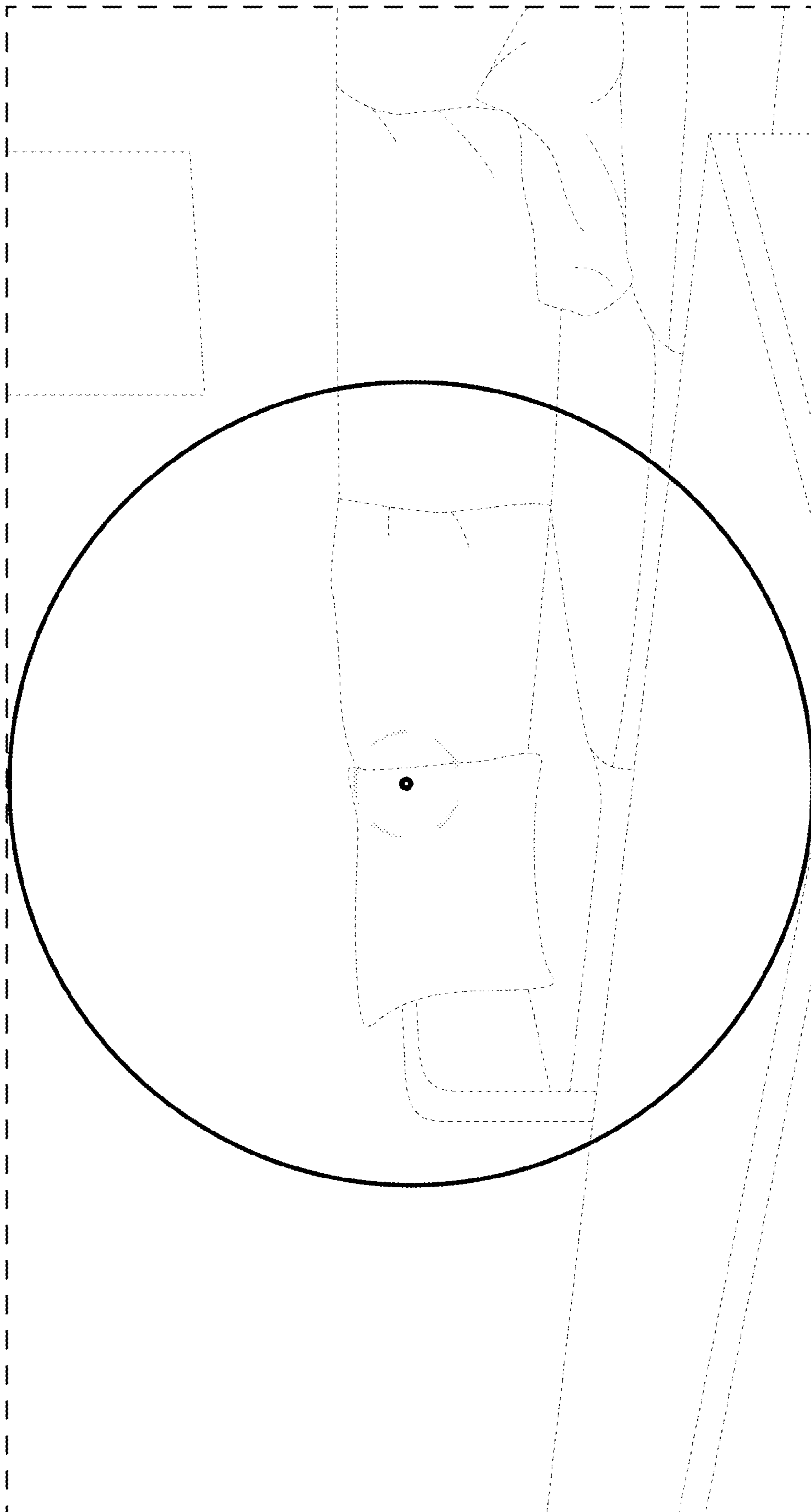


FIG. 25