

US00D894944S

(12) **United States Design Patent** (10) **Patent No.:** **US D894,944 S**
Antihi (45) **Date of Patent:** **** Sep. 1, 2020**

(54) **DISPLAY SCREEN OR PORTION THEREOF WITH TRANSITIONAL GRAPHICAL USER INTERFACE**

(71) Applicant: **Palantir Technologies Inc.**, Palo Alto, CA (US)

(72) Inventor: **Alexandru Antihi**, Palo Alto, CA (US)

(73) Assignee: **PALANTIR TECHNOLOGIES, INC.**, Palo Alto, CA (US)

(**) Term: **15 Years**

(21) Appl. No.: **29/709,555**

(22) Filed: **Oct. 15, 2019**

Related U.S. Application Data

(63) Continuation of application No. 29/656,100, filed on Jul. 10, 2018, now Pat. No. Des. 863,338, which is a continuation of application No. 29/601,271, filed on Apr. 20, 2017, now Pat. No. Des. 822,705.

(51) **LOC (12) Cl.** **14-04**

(52) **U.S. Cl.**
USPC **D14/486**

(58) **Field of Classification Search**
USPC D14/485–495
CPC G06F 3/048–04897
See application file for complete search history.

(56) **References Cited**

U.S. PATENT DOCUMENTS

D393,457 S	4/1998	Nay
D395,291 S	6/1998	Mason et al.
D397,332 S	8/1998	Ryan
5,809,449 A	9/1998	Harper
D415,138 S	10/1999	Meyers
D428,397 S	7/2000	Palalau et al.
D429,252 S	8/2000	Haitani et al.
6,169,984 B1	1/2001	Bogdan
D442,186 S	5/2001	Hodgson
6,256,033 B1	7/2001	Nguyen

(Continued)

OTHER PUBLICATIONS

Image, "Horizon Histogram," <http://stonefieldquery.com/bars.html>, 2012, as printed Nov. 5, 2013, 3 pages.

(Continued)

Primary Examiner — Cathron C Brooks

Assistant Examiner — Andrew T Nemeth

(74) *Attorney, Agent, or Firm* — McAndrews, Held & Malloy, Ltd.

(57) **CLAIM**

The ornamental design for a display screen or portion thereof with transitional graphical user interface, as shown and described.

DESCRIPTION

The patent file contains at least one drawing executed in color. Copies of this patent with color drawings will be provided by the Office upon request and payment of the necessary fee.

FIG. 1 is the first image in a sequence of a display screen or portion thereof with transitional graphical user interface showing my new design;

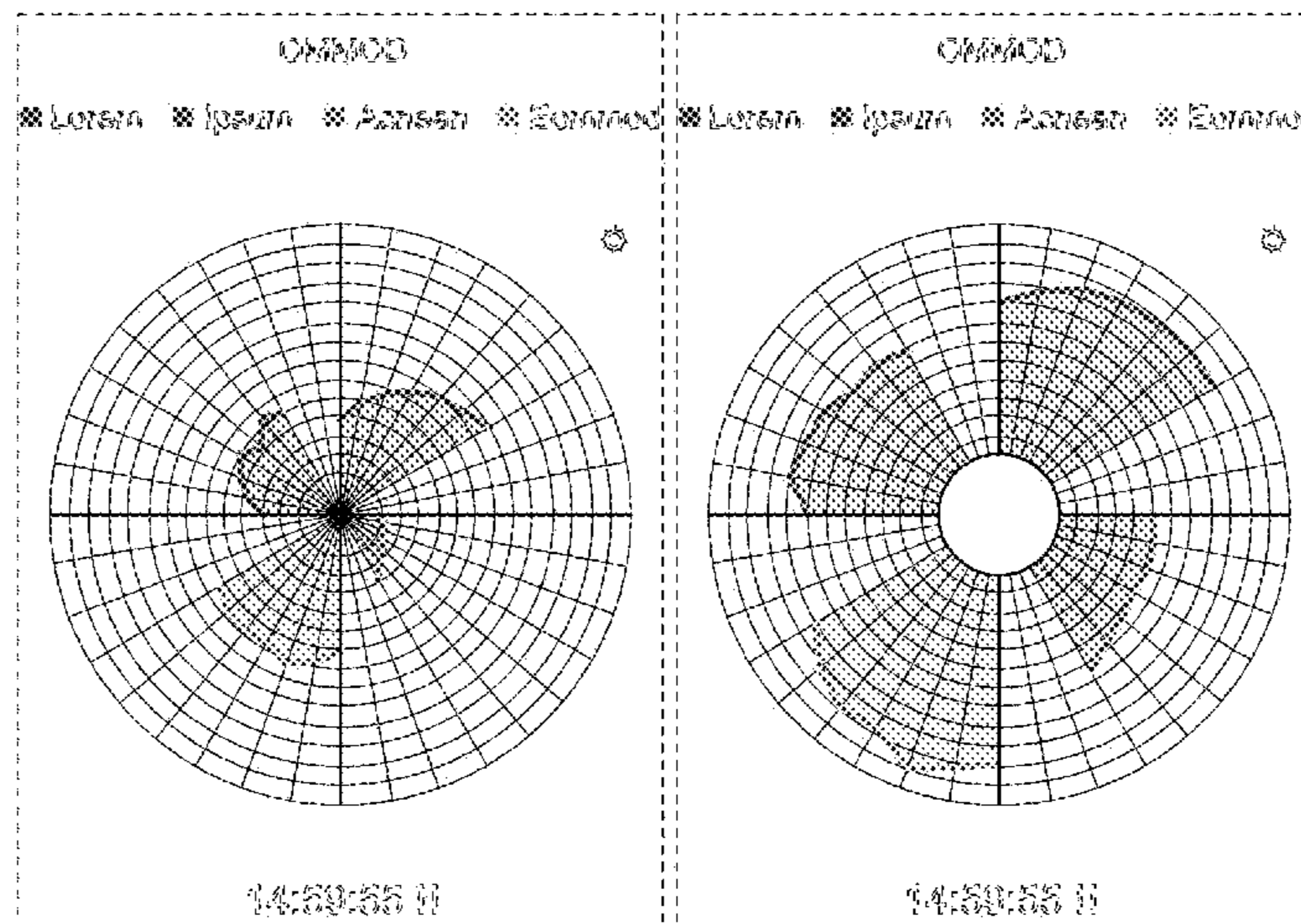
FIG. 2 is the second image thereof; and,

FIG. 3 is the third image thereof.

The appearance of the transitional image sequentially transitions between the images shown in FIGS. 1 to 3. The process or period in which one image transitions to another image forms no part of the claimed design.

The outer perimeter shown in dashed broken lines in the figures illustrates a display screen or portion thereof and forms no part of the claimed design. The remaining dashed broken lines in the figures illustrate portions of the transitional graphical user interface that form no part of the claimed design.

1 Claim, 1 Drawing Sheet
(1 of 1 Drawing Sheet(s) Filed in Color)



(56)

References Cited

U.S. PATENT DOCUMENTS

D454,574 S	3/2002	Wasko et al.	D751,110 S	3/2016	Chetan et al.
D462,698 S	9/2002	Sturm	D751,601 S	3/2016	Park et al.
D473,240 S	4/2003	Cockerill	D757,028 S	5/2016	Goldenberg et al.
D521,521 S	5/2006	Jewitt et al.	D786,273 S *	5/2017	Herman D14/485
D534,542 S	1/2007	Jewitt et al.	9,727,622 B2	8/2017	Kara et al.
D543,987 S	6/2007	Rimas-Ribikauskas et al.	D800,736 S *	10/2017	Herman D14/485
7,275,218 B2	9/2007	Petrella et al.	D806,120 S *	12/2017	Elatta D14/490
7,305,709 B1	12/2007	Lymer et al.	D807,377 S *	1/2018	Bentley D14/485
D572,265 S	7/2008	Guimaraes et al.	D808,986 S	1/2018	Dudey
D572,723 S	7/2008	Guimaraes et al.	D813,884 S *	3/2018	Penker D14/485
D576,175 S	9/2008	Onodera	D822,705 S *	7/2018	Antihi D14/486
D597,553 S	8/2009	Larson et al.	D831,697 S	10/2018	Elatta
D599,814 S	9/2009	Ogura et al.	D843,382 S *	3/2019	Shadforth D14/485
D599,819 S	9/2009	Lew	D847,857 S *	5/2019	Elatta D14/489
D640,710 S	6/2011	Brouwers et al.	D854,551 S *	7/2019	Pistiner D14/485
D650,802 S	12/2011	Jang et al.	D863,338 S *	10/2019	Antihi D14/486
8,082,201 B2	12/2011	Nahum	D868,831 S *	12/2019	Elatta D14/489
D656,948 S	4/2012	Knudsen et al.	2002/0147728 A1	10/2002	Goodman et al.
D656,954 S	4/2012	Arnold et al.	2003/0090474 A1	5/2003	Schaefer
D664,563 S	7/2012	Phelan	2003/0179223 A1	9/2003	Ying et al.
D665,411 S	8/2012	Rai et al.	2003/0208763 A1	11/2003	McElhatten et al.
D665,412 S	8/2012	Rai et al.	2005/0118996 A1	6/2005	Lee et al.
8,238,666 B2	8/2012	Besley et al.	2006/0112335 A1	5/2006	Hofmeister et al.
D667,841 S	9/2012	Rai et al.	2007/0271530 A1	11/2007	Klos et al.
D673,969 S	1/2013	McManigal	2008/0148179 A1	6/2008	Sloo
D677,674 S	3/2013	Rampson et al.	2008/0180394 A1	7/2008	Yun et al.
D677,681 S	3/2013	Kaufthal et al.	2008/0189629 A1	8/2008	Diederiks et al.
D681,656 S	5/2013	Lawrence et al.	2008/0270884 A1	10/2008	Rehm
D683,758 S	6/2013	Phelan	2009/0013002 A1	1/2009	Eggink et al.
D684,161 S	6/2013	Truelove et al.	2009/0063980 A1	3/2009	Rossi et al.
D685,812 S	7/2013	Bork et al.	2009/0073118 A1	3/2009	Yamaji et al.
D687,447 S	8/2013	Arnold et al.	2010/0017733 A1	1/2010	Barros
D687,457 S	8/2013	Edwards et al.	2010/0026640 A1	2/2010	Kim et al.
D690,311 S	9/2013	Waldman	2010/0042939 A1	2/2010	Kilambi et al.
D693,829 S	11/2013	Edwards et al.	2010/0231529 A1	9/2010	Tikka
D693,830 S	11/2013	Edwards et al.	2010/0231529 A1	3/2011	Zhou et al.
D693,831 S	11/2013	Edwards et al.	2011/0060234 A1	3/2011	Gromek et al.
D694,259 S	11/2013	Klein	2011/0060666 A1	3/2011	Gromek et al.
D694,770 S	12/2013	Edwards et al.	2011/0102421 A1	5/2011	Minamino et al.
D694,774 S	12/2013	Schuller et al.	2011/0249073 A1	10/2011	Cranfill et al.
D695,752 S	12/2013	Edwards et al.	2011/0271186 A1	11/2011	Owens
D696,265 S	12/2013	d'Amore et al.	2011/0283234 A1	11/2011	Takaki
D697,074 S	1/2014	Waldman	2012/0030622 A1	2/2012	Hasegawa
D697,080 S *	1/2014	Scholz D14/489	2012/0083706 A1	4/2012	Nelwan et al.
D699,251 S *	2/2014	Rao D14/486	2012/0084467 A1	4/2012	Birnbaum et al.
D700,197 S *	2/2014	Akcasu D14/486	2012/0102435 A1	4/2012	Han et al.
D704,204 S	5/2014	Rydenhag	2012/0242667 A1	9/2012	Kaushal et al.
D704,211 S	5/2014	Agnew et al.	2013/0007202 A1	1/2013	Lee et al.
D705,240 S	5/2014	Edwards et al.	2013/0019172 A1	1/2013	Kotler et al.
D705,350 S	5/2014	Molden et al.	2013/0055244 A1	2/2013	Cannon et al.
D711,394 S	8/2014	Hanson et al.	2013/0117687 A1	5/2013	Melet
8,812,960 B1	8/2014	Sun et al.	2013/0185676 A1	7/2013	Cao
D714,811 S	10/2014	Kim et al.	2013/0198671 A1	8/2013	Kasai
D714,812 S	10/2014	Kim et al.	2013/0212507 A1	8/2013	Fedoseyeva et al.
D715,811 S	10/2014	Tsukamoto	2013/0290887 A1	10/2013	Sun et al.
D716,333 S	10/2014	Chotin et al.	2013/0305184 A1	11/2013	Kim et al.
D716,335 S	10/2014	Chotin et al.	2014/0013254 A1	1/2014	Hosein
D719,176 S *	12/2014	Cohen D14/485	2014/0173489 A1	6/2014	Kovacs et al.
D719,177 S *	12/2014	Cohen D14/485	2014/0226052 A1	8/2014	Kang et al.
D719,578 S	12/2014	Inose et al.	2014/0282132 A1	9/2014	Daly, IV
D719,583 S	12/2014	Edwards et al.	2014/0282266 A1	9/2014	Brown et al.
D720,366 S	12/2014	Hiltunen et al.	2014/0351761 A1	11/2014	Bae et al.
D721,380 S	1/2015	Pereira	2015/0012885 A1	1/2015	Bergdahl et al.
D725,125 S	3/2015	Capela et al.	2015/0058769 A1 *	2/2015	Kim G06F 3/04817 715/765
9,041,708 B2	5/2015	Baxter et al.	2015/0067598 A1	3/2015	Yoo et al.
9,043,894 B1	5/2015	Dennison et al.	2015/0089372 A1	3/2015	Mandalia et al.
D731,523 S	6/2015	Frew et al.	2015/0095822 A1	4/2015	Feis et al.
D734,361 S	7/2015	Roberts et al.	2015/0128042 A1	5/2015	Churchill et al.
D740,839 S	10/2015	BianRosa et al.	2015/0143279 A1	5/2015	Uliel et al.
D741,880 S	10/2015	Hong et al.	2015/0170077 A1	6/2015	Kara et al.
D746,832 S	1/2016	Pearcy et al.	2015/0227961 A1	8/2015	Chetan et al.
D749,126 S	2/2016	Goldenberg et al.	2018/0078146 A1 *	3/2018	Shadforth A61B 5/7425
D749,127 S	2/2016	Goldenberg et al.	2019/0089742 A1 *	3/2019	Hill H04L 41/22
D749,631 S	2/2016	Goldenberg et al.			
D751,105 S	3/2016	Chetan et al.			

OTHER PUBLICATIONS

Clker, <http://www.clker.com/clipart-colored-sign-bathroom-wc-man-woman-without-border.html>, printed Aug. 15, 2013, 2 pages.

(56)

References Cited

OTHER PUBLICATIONS

Dandrea, Paula, "Who will Survive . . . M or F?" posted Feb. 3, 2011, <http://pauladandrea.com/who-will-survive-m-or-f/> printed Aug. 15, 2013, 6 pages.

Campbell, Matthew, "Quick Tip: Fade Text Away Horizontally," *Between the Braces* [online], published Nov. 29, 2011, retrieved on Nov. 23, 2015 from <https://betweenthebraces.wordpress.com/2011/11/29/quick-tip-fade-text-away-horizontally>.

Vector Stock, "Calendar Icons Vector," by kraska, dated Jul. 31, 2013, retrieved Apr. 13, 2016, <https://web.archive.org/web/20130731031803/http://www.vectorstock.com/royalty-free-vector/calendar-icons-vector-739702>.

Image, "Histogram 2," <http://www.ncl.ucar.edu/Applications/histo.shtml>, 2006, as printed Nov. 5, 2013, 6 pages.

Music Machinery, "Controlling the Artist Distributin in Playlists," <http://www.musicmachinery.com/tag/code/>, posted by Paul, Jan. 12, 2012, 27 pages.

Crop Circles?—skepticReport, [skepticreport.com](http://www.skepticreport.com) [online], retrieved May 17, 2015 from <http://www.skepticreport.com/sr?p=213>.

ICONSDB, Gray Blank File 5 Icon, dated May 20, 2013, retrieved Apr. 13, 2016, <https://web.archive.org/web/20130520042905/http://www.iconsdb.com/gray-icons/blank-file-5-icon.html>.

Taigan Finds, "Who is Victoria and What is her Secret?" posted Feb. 11, 2011, <http://www.taiganfinds.com/2011/02/who-is-victoria-and-what-is-her-secret.html> printed Aug. 15, 2013, 2 pages.

Con.ca, "Sociological Analysis of Male/Female Bathroom Signs," *Capital of Nasty Electronic Magazine*, posted Oct. 17, 2011, <http://con.ca/news/5935>, printed Aug. 15, 2013, 4 pages.

jQuery Progressbar by SriSeshaa Technologies Pvt Ltd, SriSeshaa Tech Smart [online], published May 25, 2011, retrieved May 11, 2016, <http://sriseshaatechsmart.blogspot.com/2011/05/jquery-progressbar.html>.

Image, "0010," <http://www.sigmaplot.com/products/sigmaplot/productuses/prod-uses1.php>, 2010, as printed Nov. 5, 2013, 25 pages.

Image, "Histogram 6," <http://www.ncl.ucar.edu/Applications/histo.shtml>, 2006, as printed Nov. 5, 2013, 6 pages.

Image, "Price by Volume (PBV) Horizontal Histogram," <http://fxcodebase.com/code/viewtopic.php?f=27&t=236>, 2010, as printed Nov. 25, 2013, 25 pages.

Black Arrow Sign Simple Icon Web Button Direction, published Apr. 23, 2013, iStock [online], retrieved Mar. 22, 2016.

Icon "Help" located on webpage <http://dojo.codeninjas.eu/>, (c) 2013, as printed Nov. 5, 2013 in 3 pages.

Image, "Histogram 8," <http://www.ncl.ucar.edu/Applications/histo.shtml>, 2006, as printed Nov. 5, 2013, 6 pages.

Flaticon.com. [online], published Jul. 28, 2014, http://www.flaticon.com/free-icon/interface-symbol-of-three-circles-with-dots-inside-connected-by-two-lines_54065#term=three-dots&page=1&position=37.

Image, "Plot Gallery Stack Bar," <http://soft.proindependent.com/doc/manual-en/x1223.html>, 2012, as printed Nov. 25, 2013, 16 pages.

Apostolic Oneness Pentecostals, "As a Woman, which Bathroom Would you go Into?" posted Aug. 7, 2009, <https://apostliconenesspentecostals.wordpress.com/2009/08/07/as-a-woman-which-bathroom-would-you-go-into/> printed Aug. 15, 2013, 3 pages.

Text Ellipsis with Gradient Fade in Pure CSS, by Xion, [xion.log](http://xion.org.pl/2011/12/26/text-ellipsis-with-gradient-fade-in-pure-css) [online], published Dec. 26, 2011, retrieved on May 11, 2016, <http://xion.org.pl/2011/12/26/text-ellipsis-with-gradient-fade-in-pure-css>.

Molecule Icon, [dreamstime.com](http://www.dreamstime.com/stock-photography-molecule-icon-image33192) [online], published May 1, 2012, from <http://www.dreamstime.com/stock-photography-molecule-icon-image33192>.

Cartoon Barry, "Are Bathroom Signs Sexist?" posted Apr. 28, 2010, http://www.cartoonbarry.com/2010/04/are_bathroom_signs_sexist.html printed Aug. 15, 2013, 4 pages.

Vector, posted Aug. 15, 2005, http://vector.me/browse/787035/bathroom_logos, printed Aug. 15, 2013, 2 pages.

Man Silhouette Black clip art, [clker.com](http://www.clker.com/clipart-man-silhouette-black.html) [online], published Oct. 29, 2012, <http://www.clker.com/clipart-man-silhouette-black.html>.

Minter Dial, "A Difference between Men and Women," Posted Feb. 5, 2008, <http://minterdial.com/2008/02/a-difference-between-men-and-women-2/> printed Aug. 15, 2013, 2 pages.

Icon "Document" located on webpage <http://www.lakecountrync.com/prop-management.html>, (c) 2013, as printed Nov. 5, 2013 in 5 pages.

Aleks Math: Review and Free Trial for Raising Olives Readers by Kimberly, raisingolives.com [online], published Aug. 19, 2009, retrieved on May 11, 2016, <http://raisingolives.com/2009/08/aleks-math-review-and-free-trial>.

Image, "Plot Gallery Rows," <http://soft.proindependent.com/doc/manual-en/x1223.html>, 2012, as printed Nov. 25, 2013, 16 pages.

Icon "Calendar" located on webpage <http://dojo.codeninjas.eu/>, (c) 2013, as printed Nov. 5, 2013 in 3 pages.

Glossy web buttons. Different colors, by #67320, published Jul. 3, 2007, iconswebsite.com [online], [retrieved Feb. 19, 2018], Retrieved from internet URL:<http://iconswebsite.com/shutterstock-image/glossy-web-buttttons-different-colors-3659874.html> (Year: 2007).

Polar Grid in Degrees With Radius 10, dated Feb. 7, 2009, etc.usf.edu [online]. [retrieved Feb. 15, 2018]. Retrieved from Internet URL:https://web.archive.org/web/20090207072200/http://etc.usf.edu/clipart/43000/43031/polar_36-10p_43031.htm (Year: 2009).

Paper City Project, by amie, dated Mar. 24, 2011, visual.ly [online], [retrieved Feb. 15, 2018]. Retrieved from Internet URL:<https://visual.ly/community/infographic/other/paper-city-project-processevolution> (Year: 2011).

Value Assignment, dated Oct. 2, 2012, Foothill Technology High School [online], [retrieved Feb. 19, 2018]. Retrieved from internet URL:<https://web.archive.org/web/20121002060433/http://foothillart.org/art.org/art/value-assignment/> (Year: 2012).

Notice of Allowance for U.S. Appl. No. 29/601,271 dated Mar. 12, 2018.

* cited by examiner

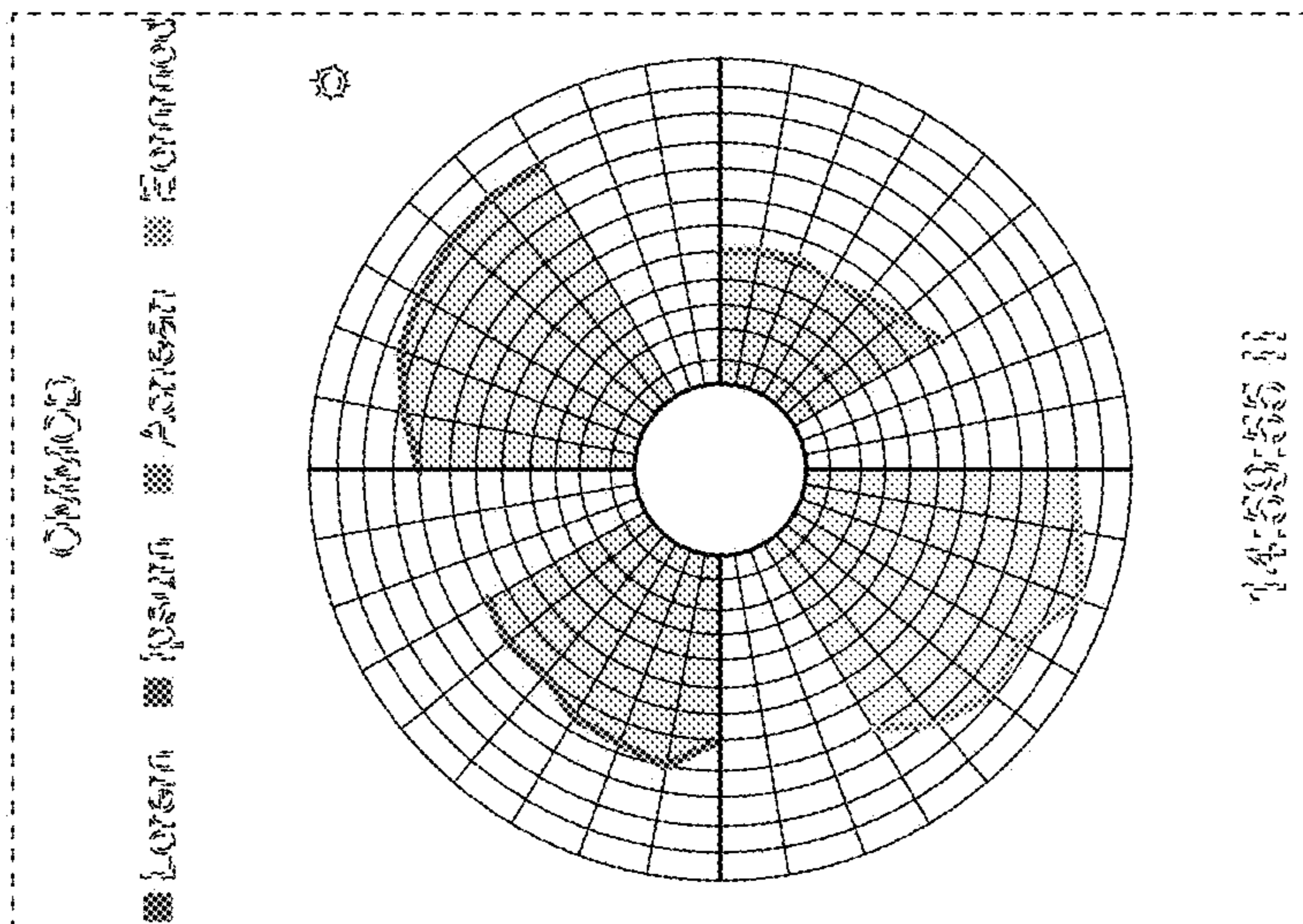


FIG. 1

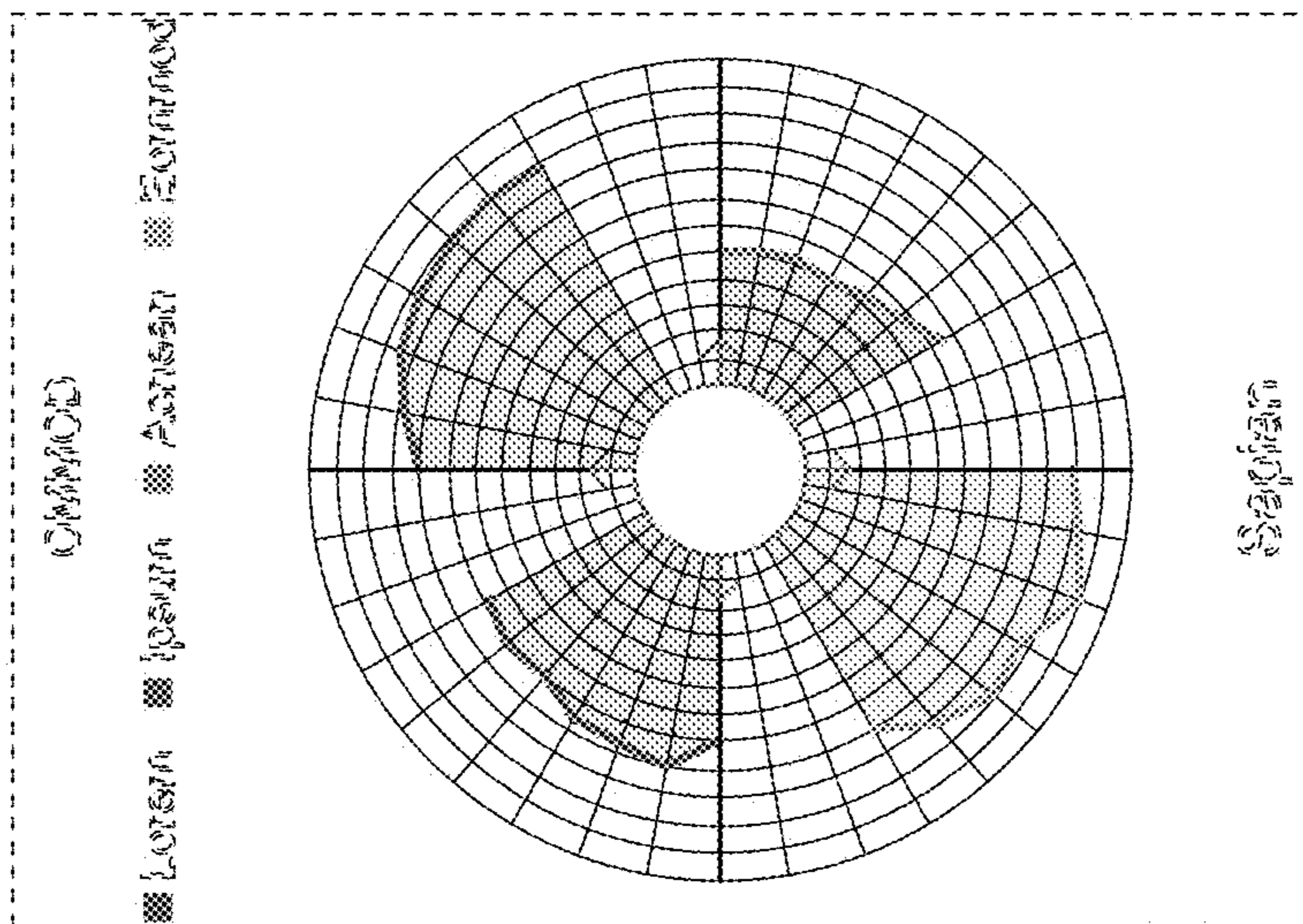


FIG. 2

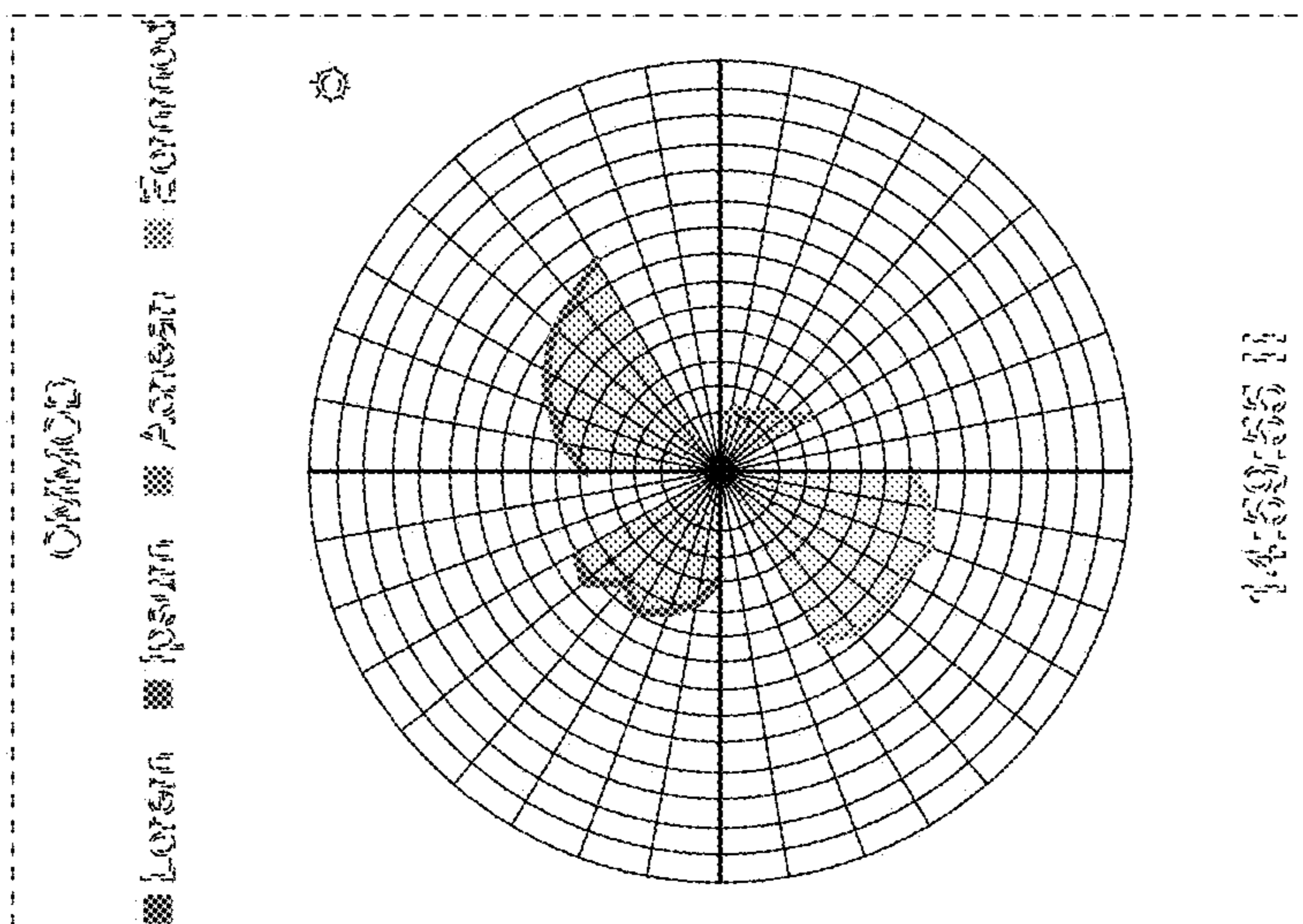


FIG. 3