



US00D894909S

(12) **United States Design Patent**
Zhou et al.

(10) **Patent No.:** **US D894,909 S**

(45) **Date of Patent:** **** Sep. 1, 2020**

(54) **USB FLASH DISK**

(71) Applicant: **Shenzhen Longsys Electronics Co., Ltd.**, Shenzhen (CN)

(72) Inventors: **Fu Zhou**, Shenzhen (CN); **Ping Wang**, Shenzhen (CN)

(73) Assignee: **Shenzhen Longsys Electronics Co., Ltd.**, Shenzhen (CN)

(**) Term: **15 Years**

(21) Appl. No.: **29/675,511**

(22) Filed: **Jan. 3, 2019**

(30) **Foreign Application Priority Data**

Dec. 10, 2018 (CN) 2018 3 0713685

(51) **LOC (12) Cl.** **14-03**

(52) **U.S. Cl.**
USPC **D14/480.7**

(58) **Field of Classification Search**
USPC D14/480.1–480.7, 435.1, 411, 433, 436,
D14/484.1, 137, 155, 203.1–203.8, 240,
D14/242; D13/133, 154
CPC H05K 5/0278; G06K 19/07732
See application file for complete search history.

(56) **References Cited**

U.S. PATENT DOCUMENTS

D492,307 S * 6/2004 Aqqad D14/480.5
D556,752 S * 12/2007 Otsuka D14/480.5
D610,588 S * 2/2010 Chen D14/480.7
D624,012 S * 9/2010 de Medeiros D13/103
D624,920 S * 10/2010 Sheppard D14/435.1

D639,303 S * 6/2011 Ni D14/480.7
D675,630 S * 2/2013 Ni D14/480.1
D754,139 S * 4/2016 Billington D14/480.1
D798,308 S * 9/2017 Tzeng D14/480.5
D826,950 S * 8/2018 Roberts D14/480.7
D844,631 S * 4/2019 Roberts D14/480.5
D864,213 S * 10/2019 Yang D14/480.5
2006/0038023 A1 * 2/2006 Brewer G06K 19/005
235/492

* cited by examiner

Primary Examiner — Angela J Lee

(74) *Attorney, Agent, or Firm* — ScienBiziP, P.C.

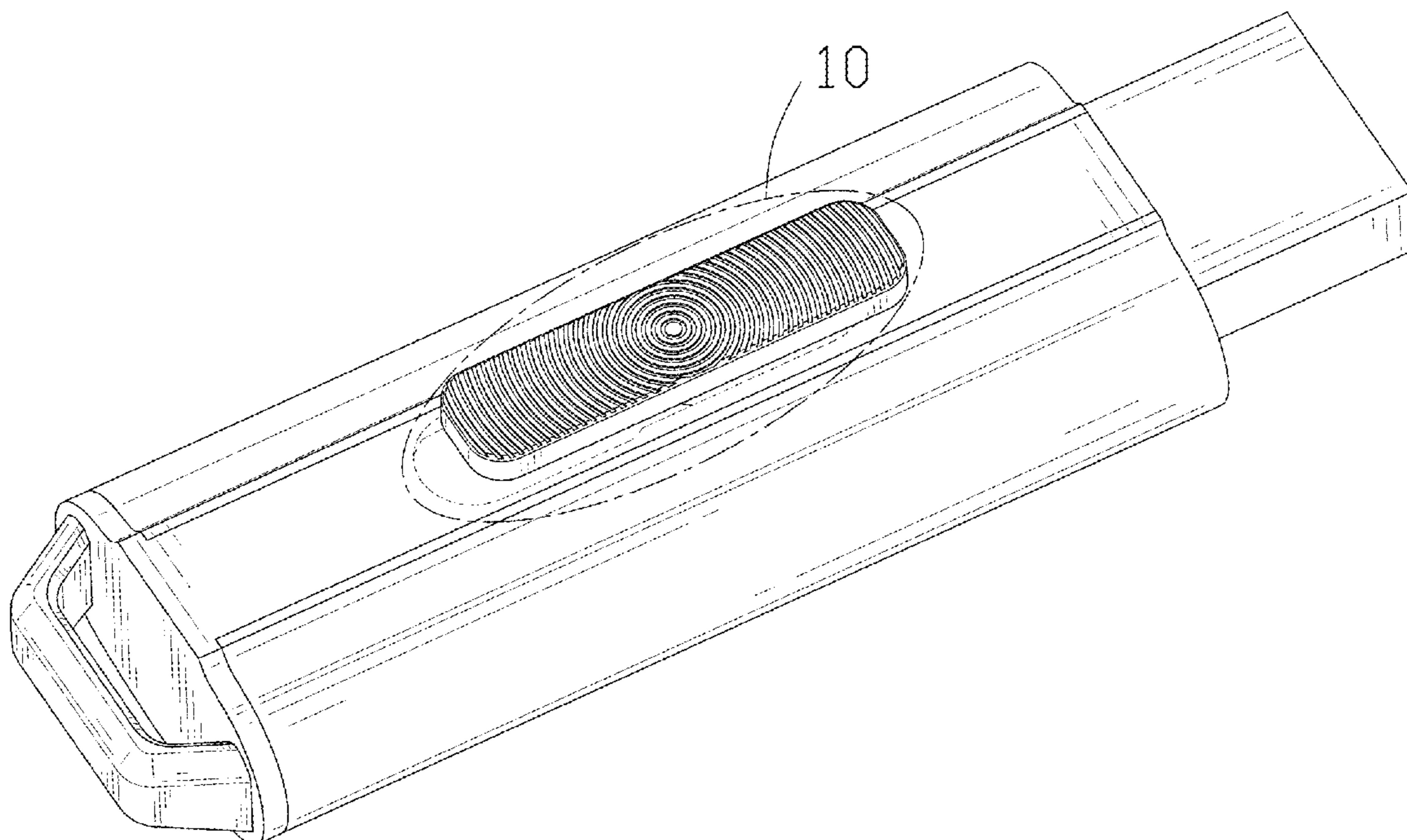
(57) **CLAIM**

The ornamental design for an USB flash disk, as shown and described.

DESCRIPTION

FIG. 1 is a first perspective view of a USB flash disk, showing my design.
FIG. 2 is a second perspective view of the USB flash disk.
FIG. 3 is a front elevation view of the USB flash disk.
FIG. 4 is a rear elevation view of the USB flash disk.
FIG. 5 is a left side elevation view of the USB flash disk.
FIG. 6 is a right side elevation view of the USB flash disk.
FIG. 7 is a top plan view of the USB flash disk.
FIG. 8 is a bottom plan view of the USB flash disk.
FIG. 9 is a perspective view of the USB flash disk in an environment in which it may be used; and,
FIG. 10 is an enlarged view of the design features contained within circle 10 of FIG. 1.
The broken lines are environmental structure and form no part of the claimed design.

1 Claim, 10 Drawing Sheets



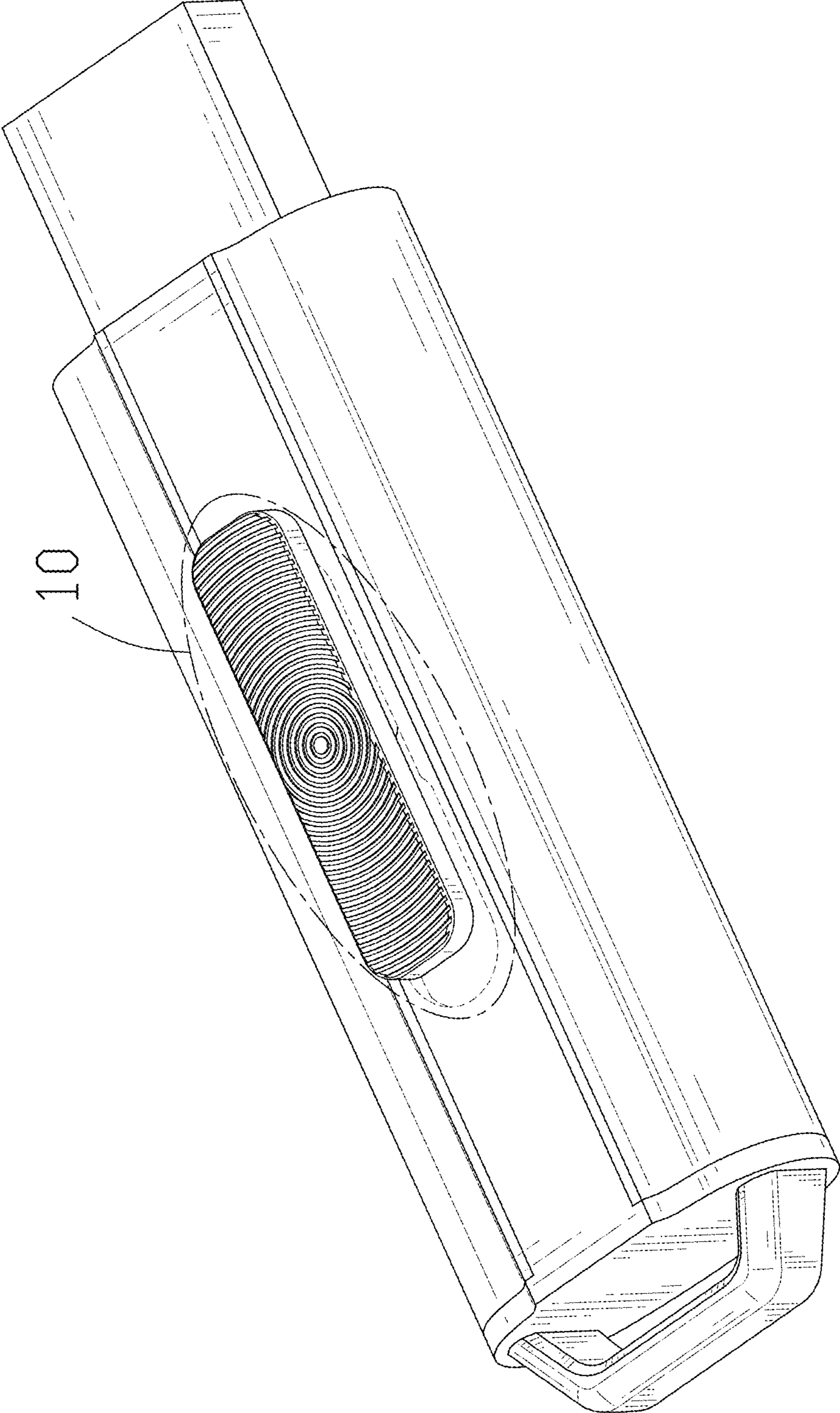


FIG. 1

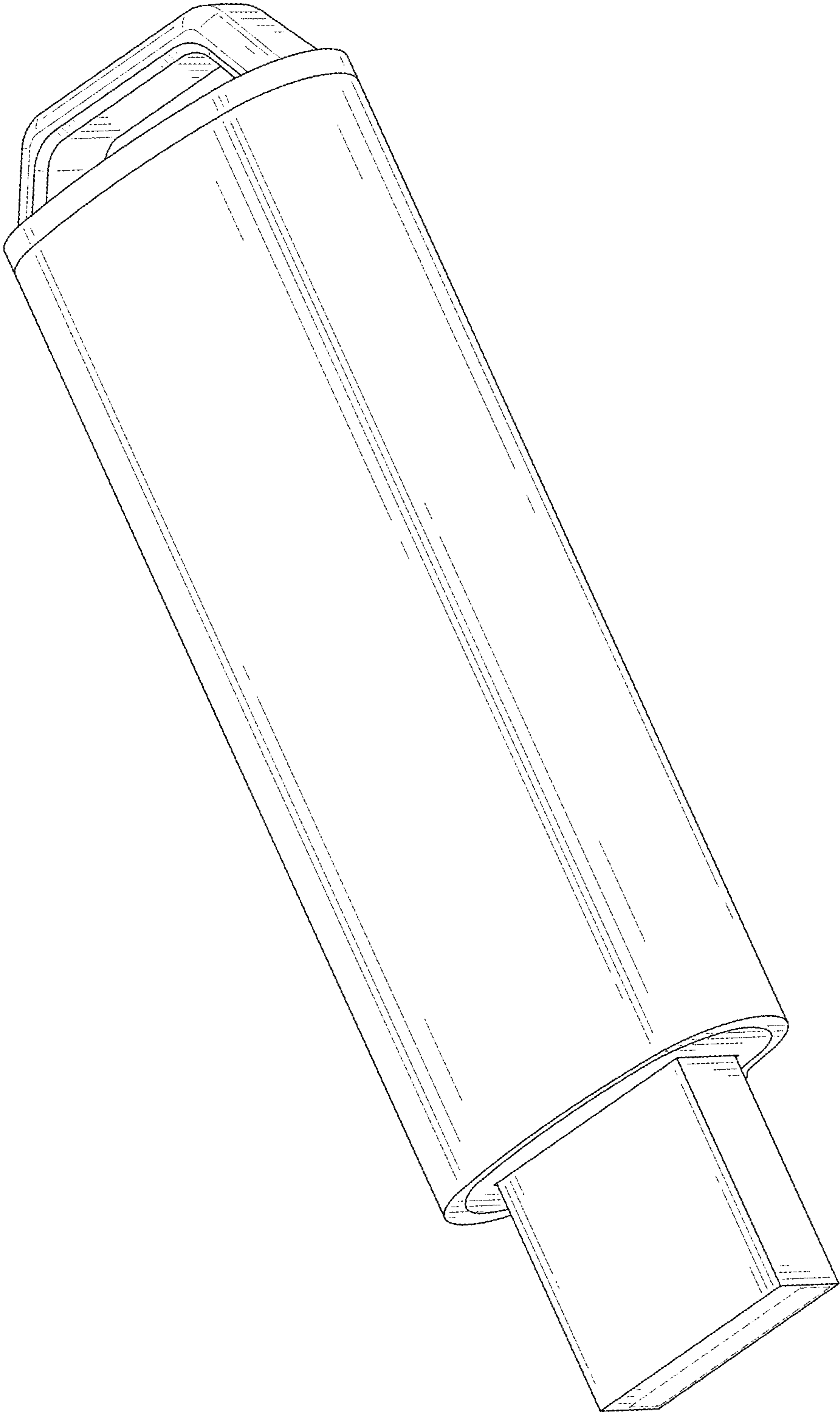


FIG. 2

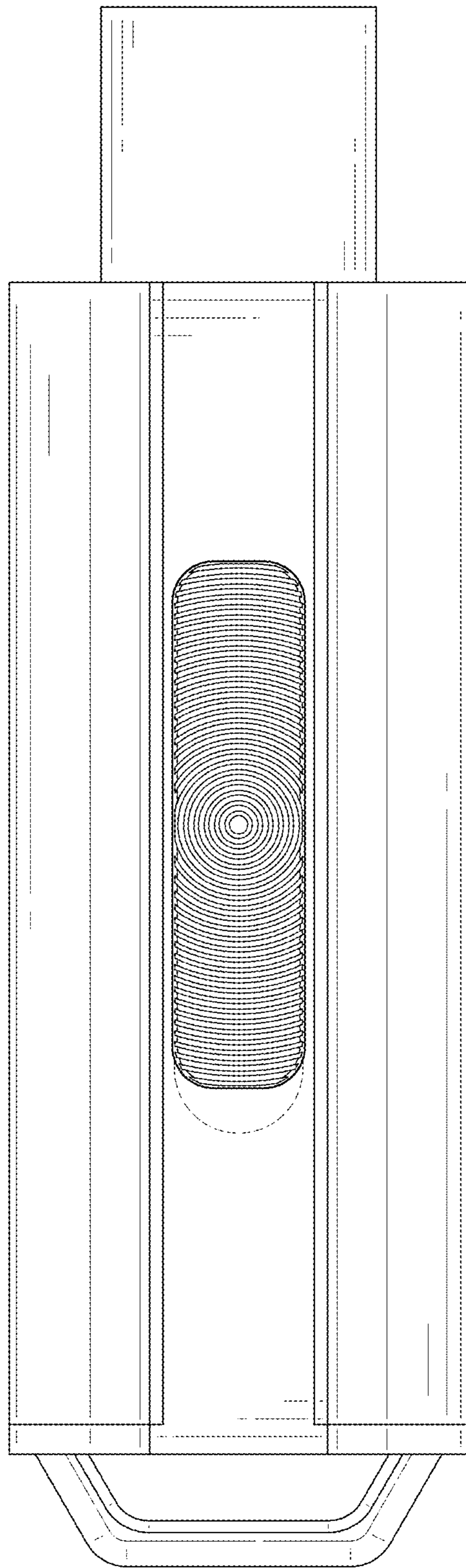


FIG. 3

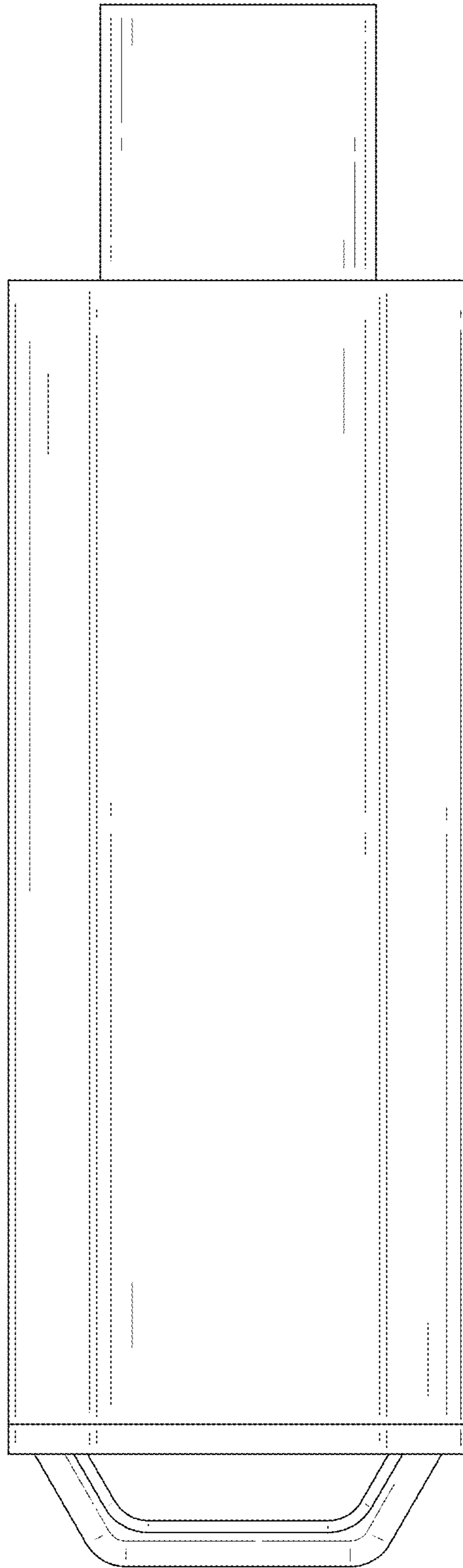


FIG. 4

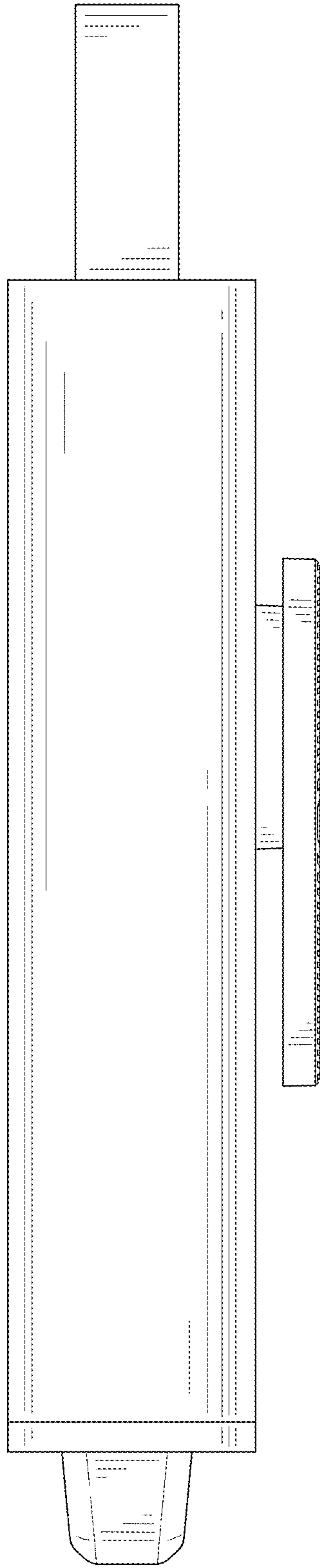


FIG. 5

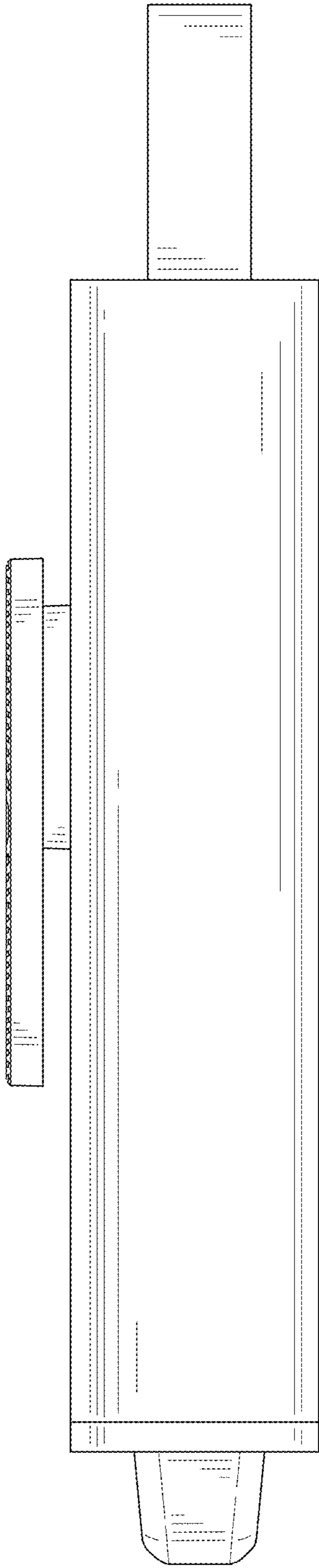


FIG. 6

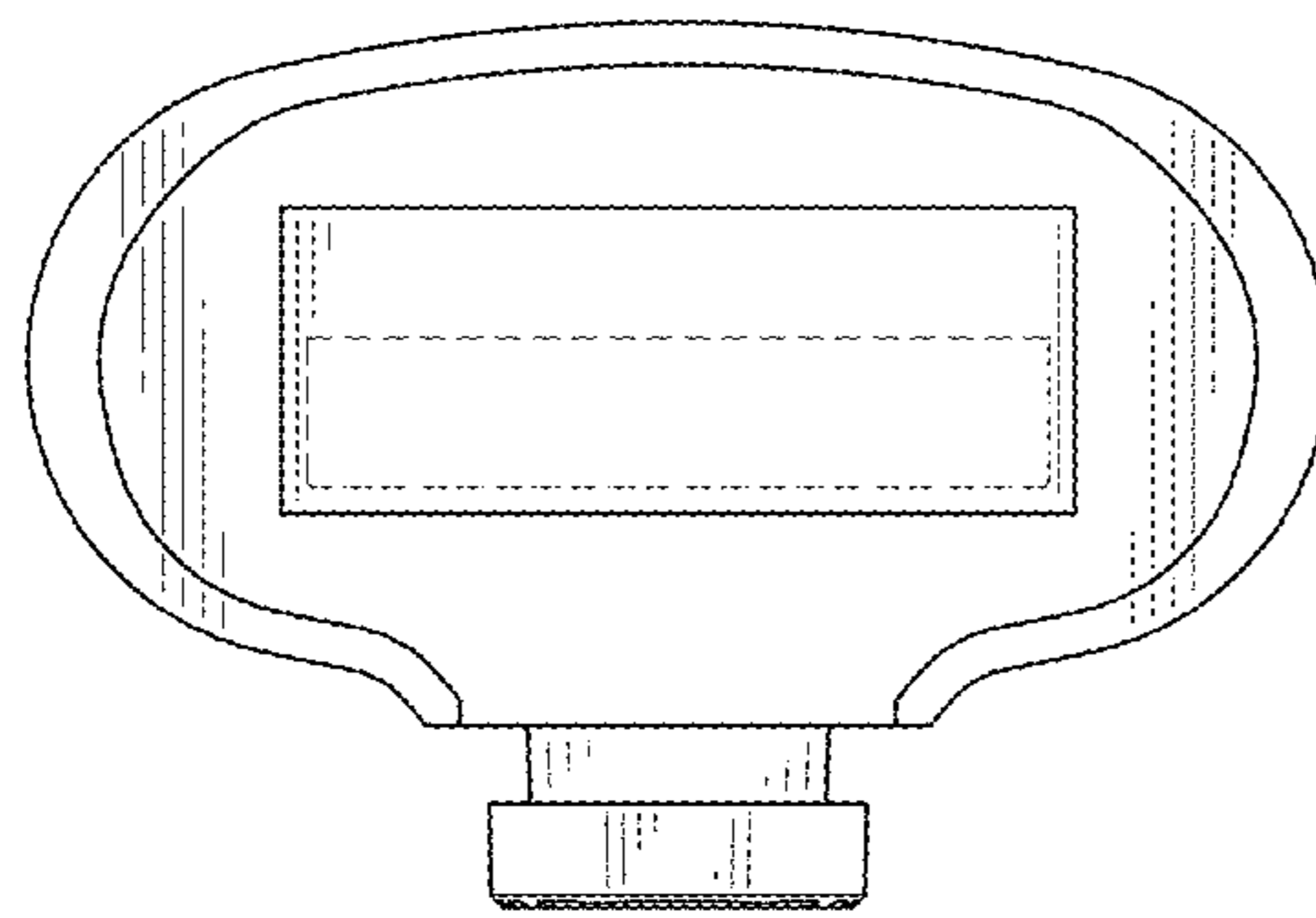


FIG. 7

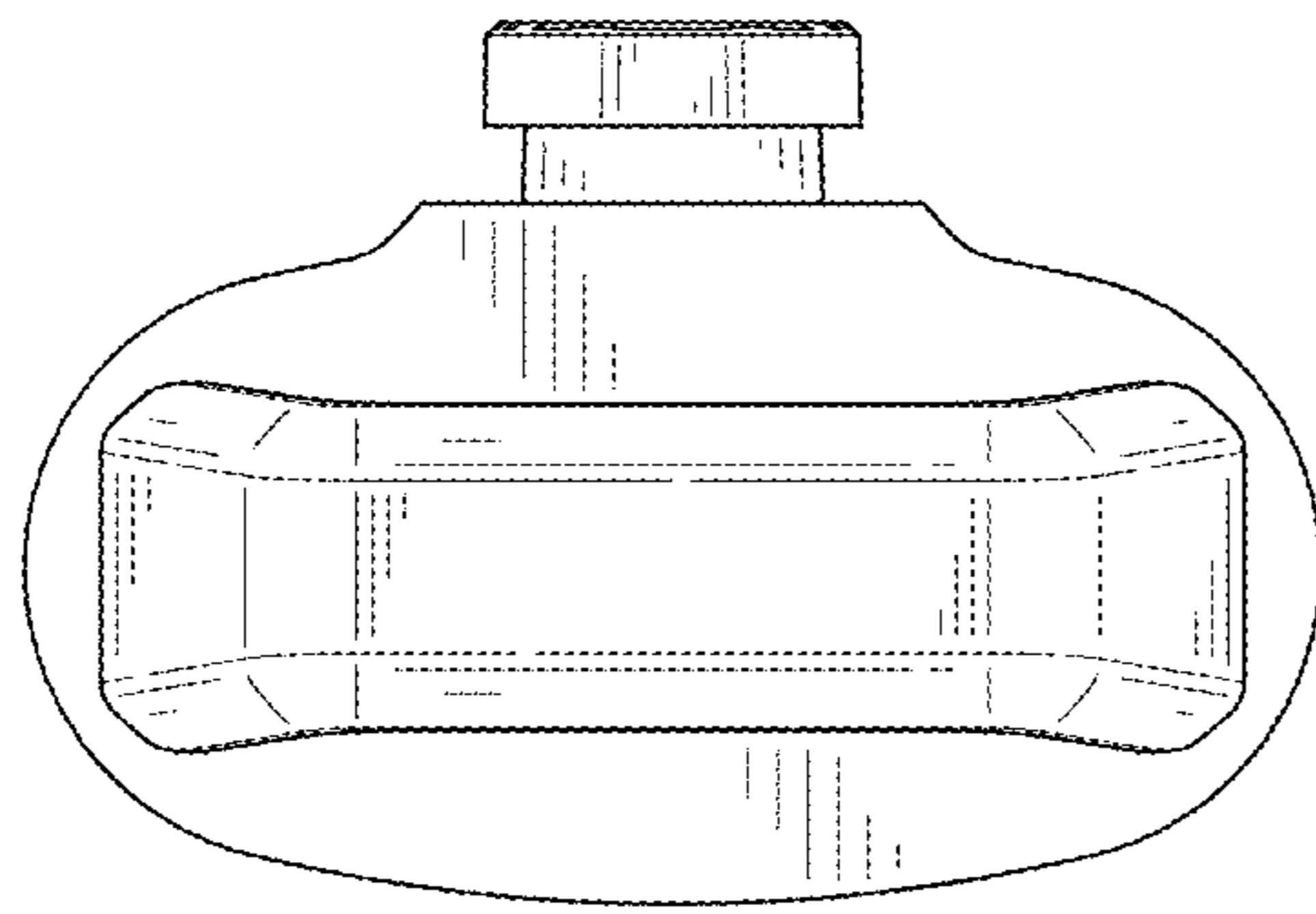


FIG. 8

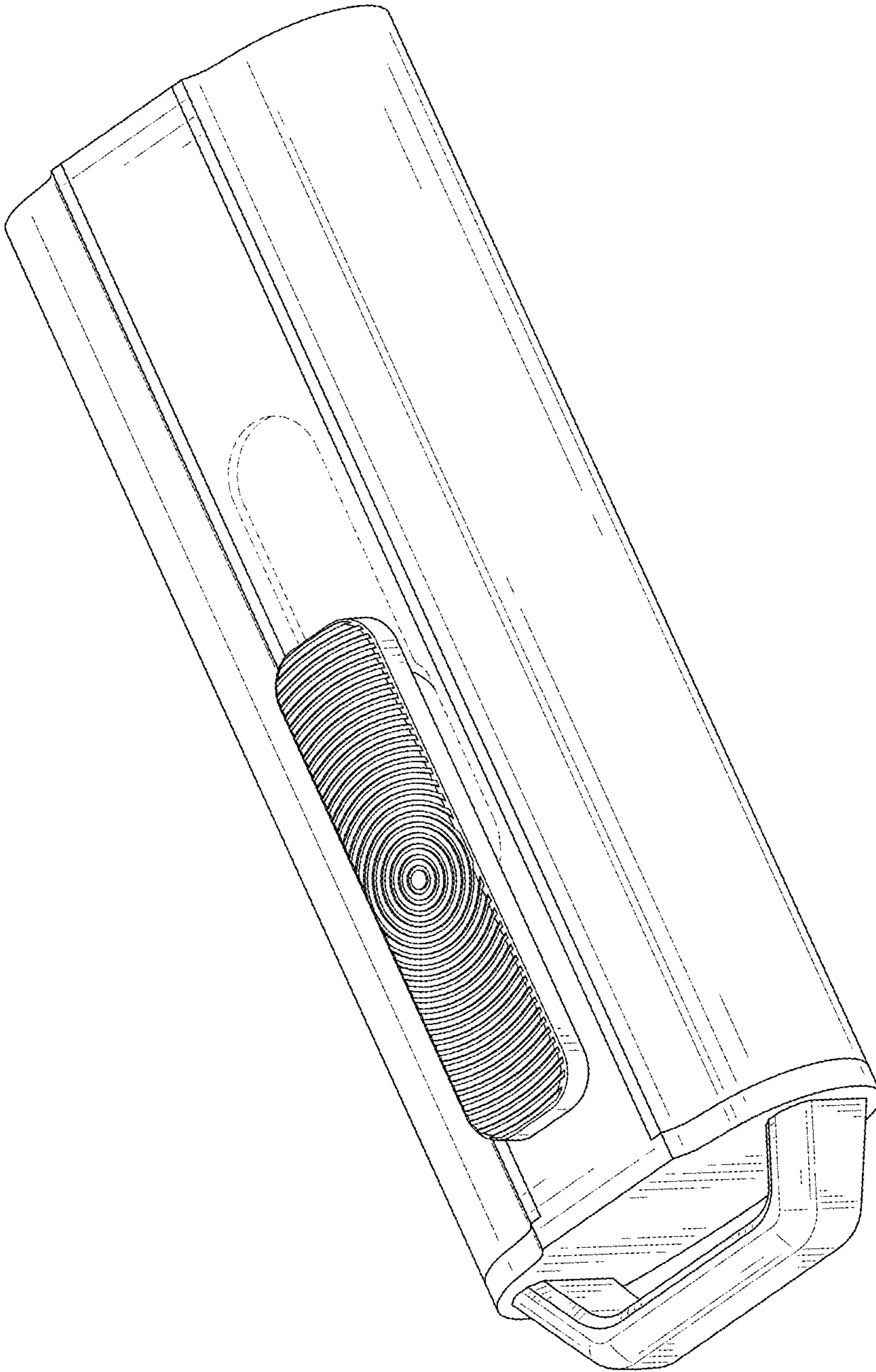


FIG. 9

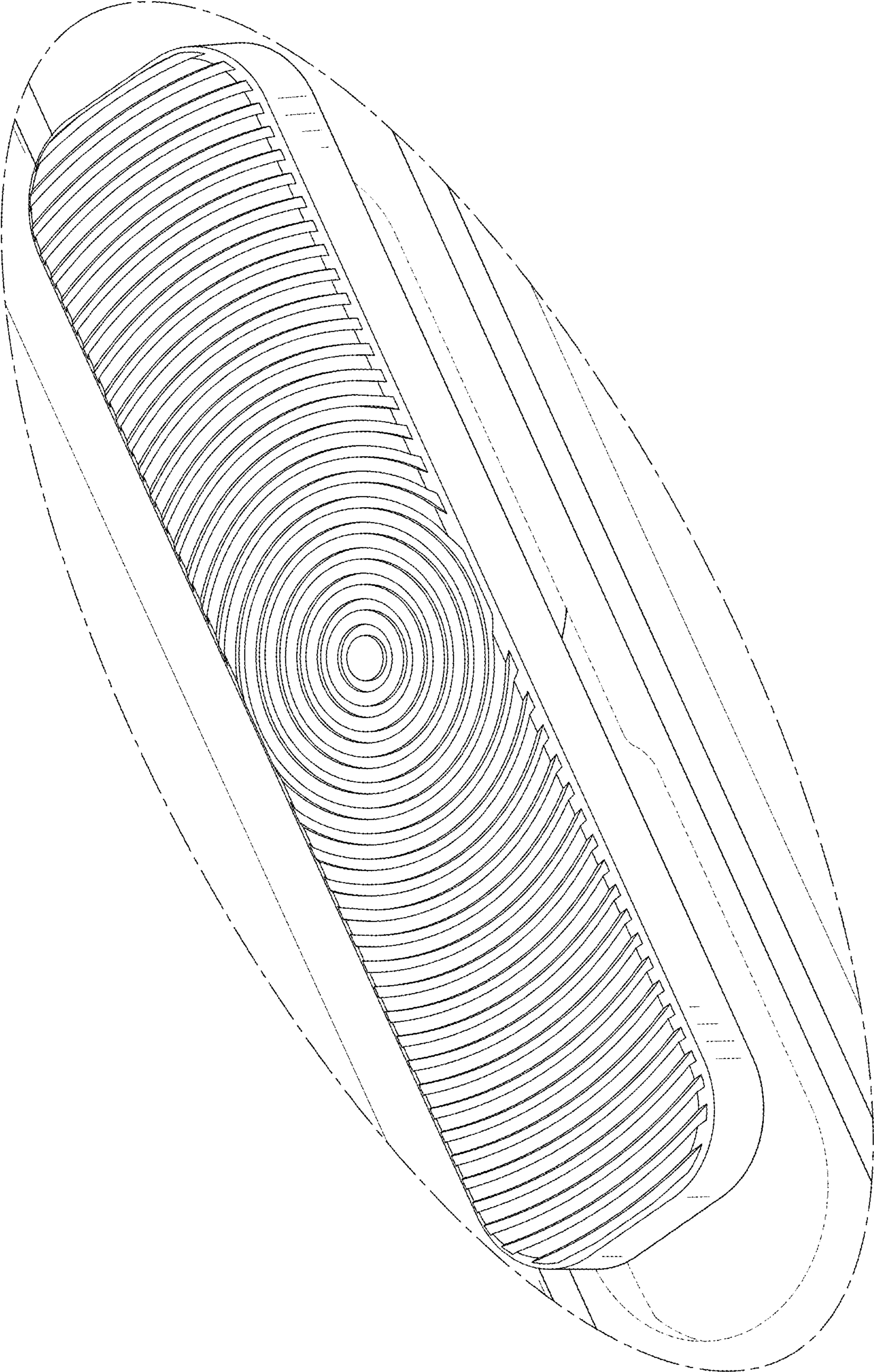


FIG. 10