



US00D894906S

(12) **United States Design Patent** (10) **Patent No.:** **US D894,906 S**
Li et al. (45) **Date of Patent:** **** Sep. 1, 2020**

(54) **DOCKING STATION FOR PORTABLE ELECTRONIC DEVICE**

(71) Applicant: **GETAC TECHNOLOGY CORPORATION**, Hsinchu County (TW)

(72) Inventors: **Chun-Hsing Li**, Taipei (TW); **Ruei-Rong Lin**, Taipei (TW)

(73) Assignee: **GETAC TECHNOLOGY CORPORATION**, Hsinchu County (TW)

(**) Term: **15 Years**

(21) Appl. No.: **29/690,391**

(22) Filed: **May 7, 2019**

(51) **LOC (12) Cl.** **14-02**

(52) **U.S. Cl.**
USPC **D14/434**; D13/108

(58) **Field of Classification Search**
USPC D14/356, 358, 432, 434, 447, 149, 168, D14/217, 224, 224.1, 238.1, 251, 252, D14/253, 125, 126, 239, 392, 455; D13/107, 108, 146
CPC G06F 1/16; G06F 1/1626; G06F 1/1632; G06F 1/1675; G06F 1/1688; F16M 11/10; F16M 11/24; H05K 5/0234; H04M 1/04
See application file for complete search history.

(56) **References Cited**

U.S. PATENT DOCUMENTS

D278,426 S * 4/1985 Lanci D13/107
D336,631 S * 6/1993 Ivester D13/108
6,184,655 B1 * 2/2001 Malackowski H02J 7/0022
320/116
D476,659 S * 7/2003 Ying D14/434
D532,365 S * 11/2006 Shen D13/107

D591,674 S * 5/2009 McConnell D13/107
D601,953 S * 10/2009 Asai D13/107
D629,355 S * 12/2010 Bodley D13/108
D692,824 S * 11/2013 Fiaschetti D13/108
D710,797 S * 8/2014 Awiszus D13/107
D749,042 S * 2/2016 Gecawicz D13/107
D755,122 S * 5/2016 Gecawicz D13/107
D780,116 S * 2/2017 Bing D13/107
D805,030 S * 12/2017 Massar D13/108
D823,792 S * 7/2018 Komoni D13/107
D864,858 S * 10/2019 Clark D13/108
D866,460 S * 11/2019 Komoni D13/108

FOREIGN PATENT DOCUMENTS

EM 006418570-0001 * 5/2019

* cited by examiner

Primary Examiner — Jeffrey D Asch
Assistant Examiner — Rebekah A Caruso

(57) **CLAIM**

The ornamental design for a docking station for portable electronic device, as shown and described.

DESCRIPTION

FIG. 1 is a top, front and right side perspective view of a docking station for portable electronic device showing our new design;

FIG. 2 is a top, rear and left side perspective view thereof;

FIG. 3 is a front view thereof;

FIG. 4 is a rear view thereof;

FIG. 5 is a left side view thereof;

FIG. 6 is a right side view thereof;

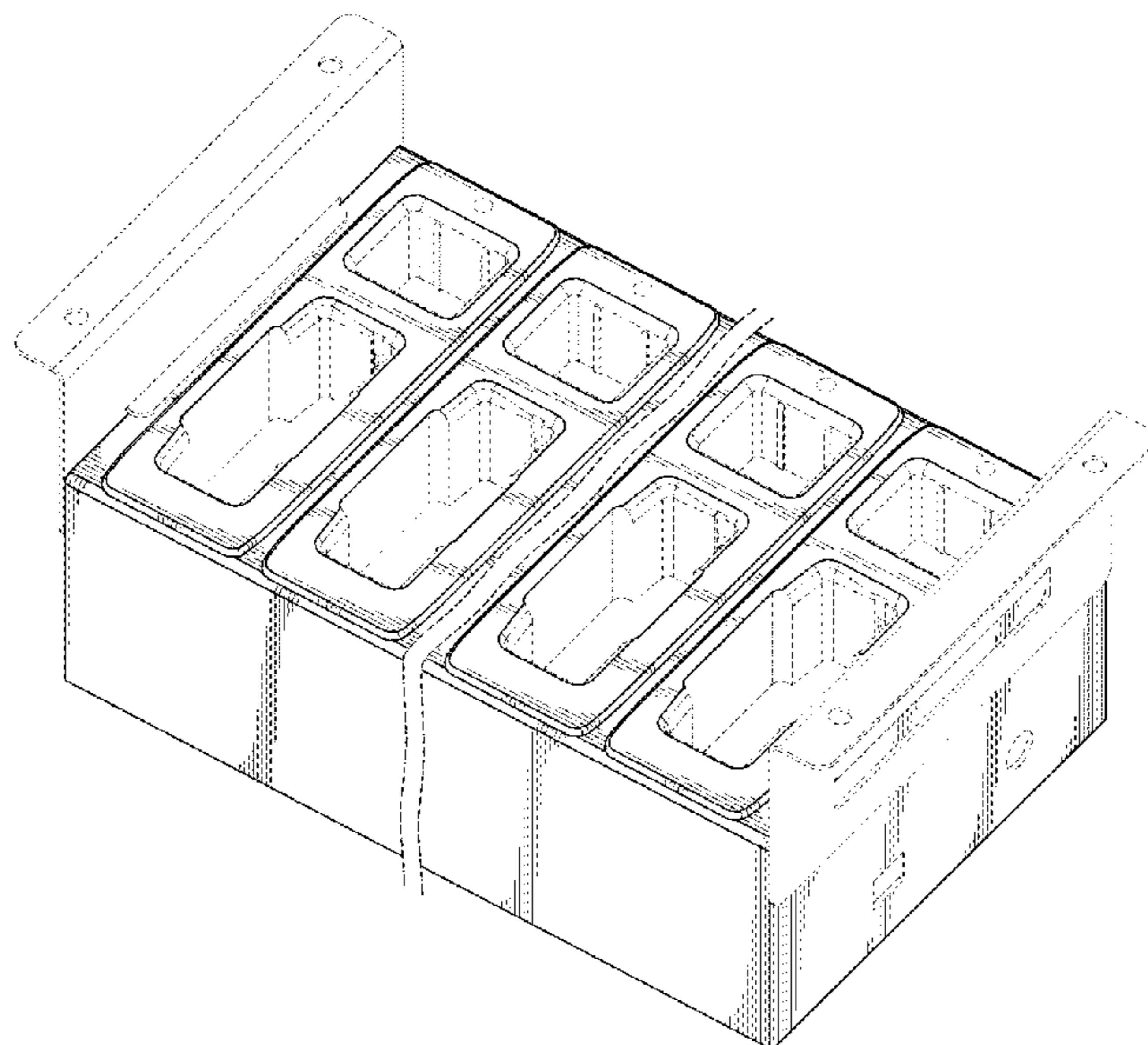
FIG. 7 is a top view thereof; and,

FIG. 8 is a bottom view thereof.

The broken lines illustrate environmental structure and form no part of the claimed design.

The appearance of any portion of the article between the break lines forms no part of the claimed design.

1 Claim, 5 Drawing Sheets



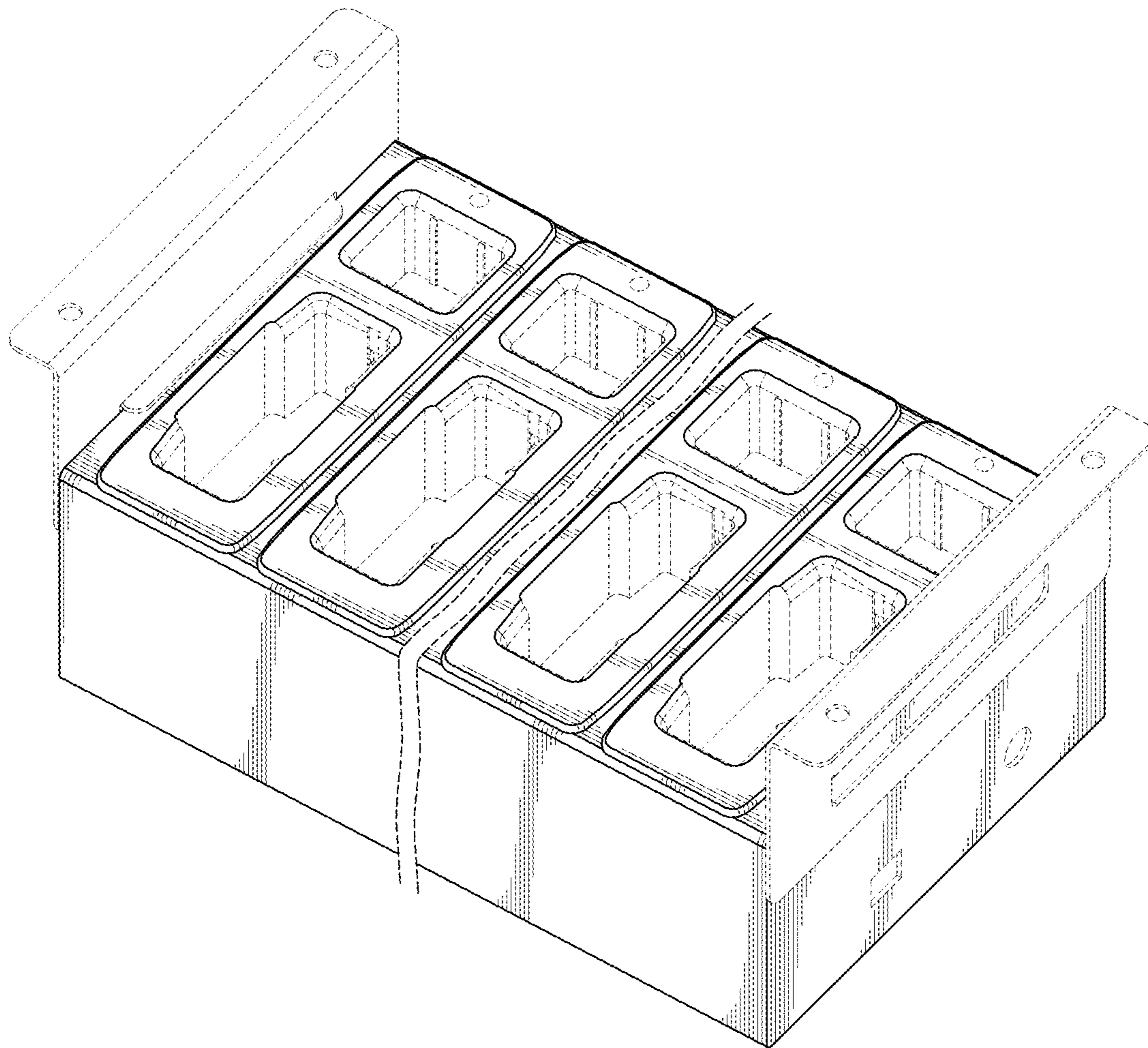


FIG. 1

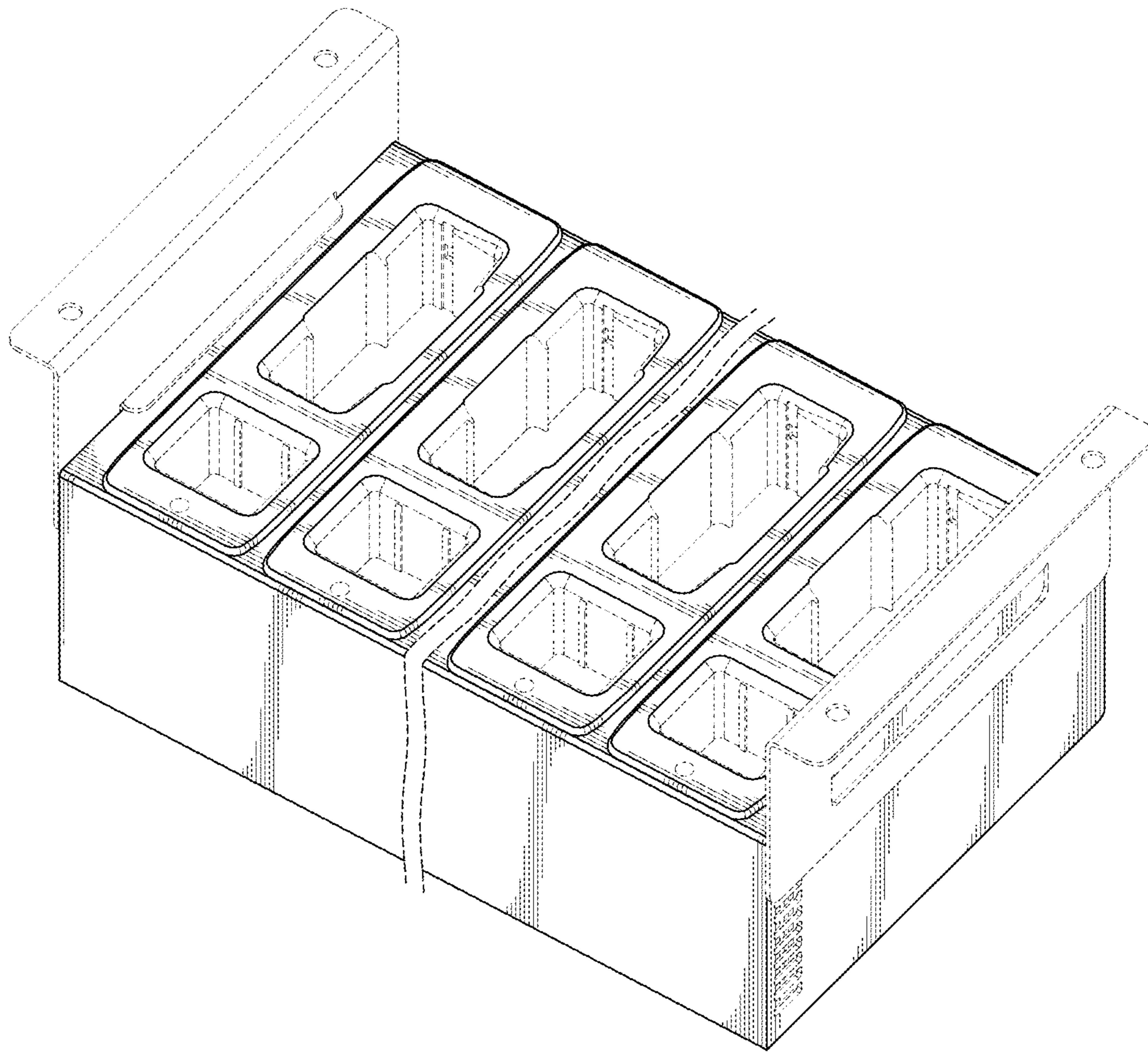


FIG. 2

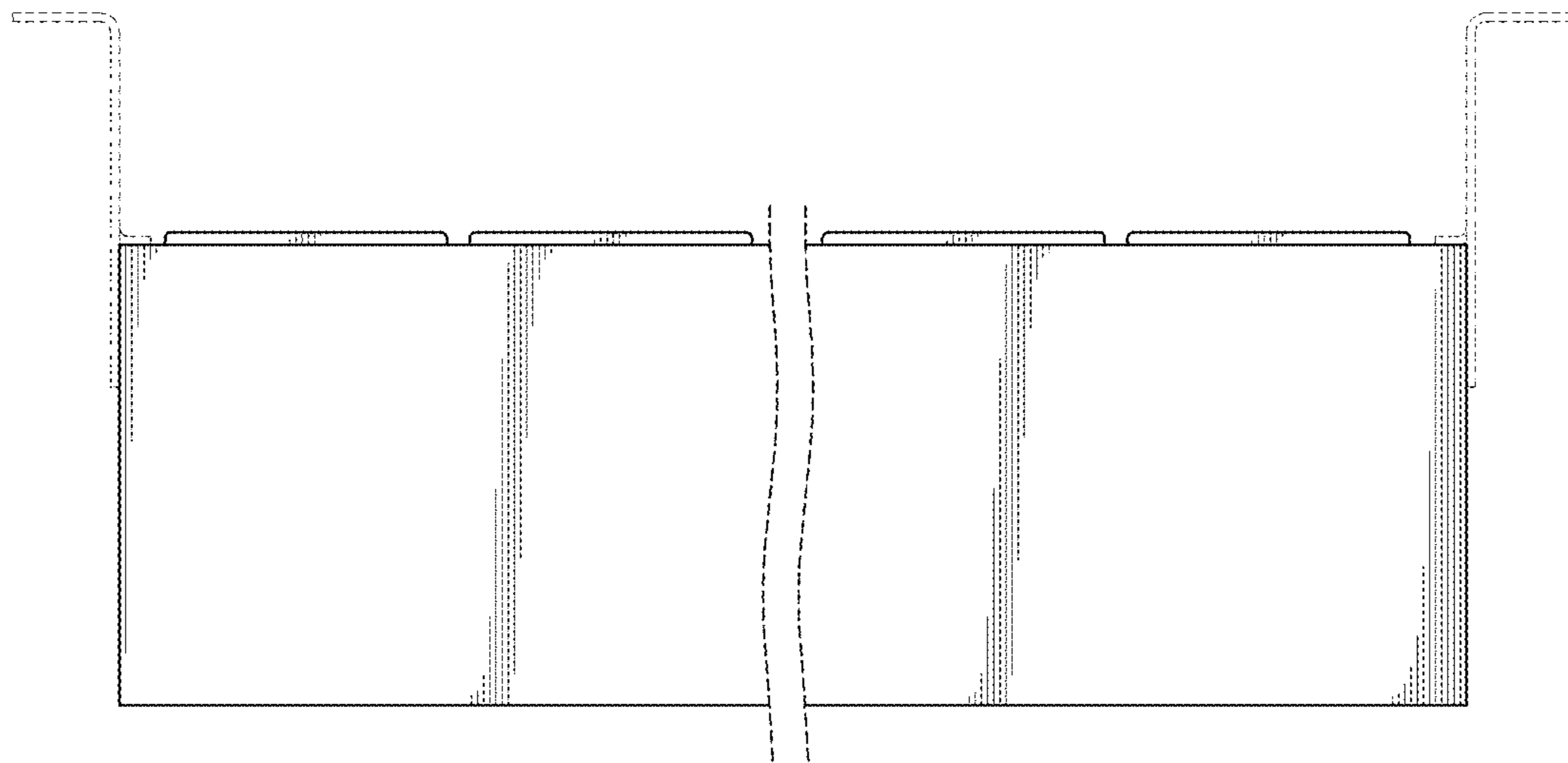


FIG. 3

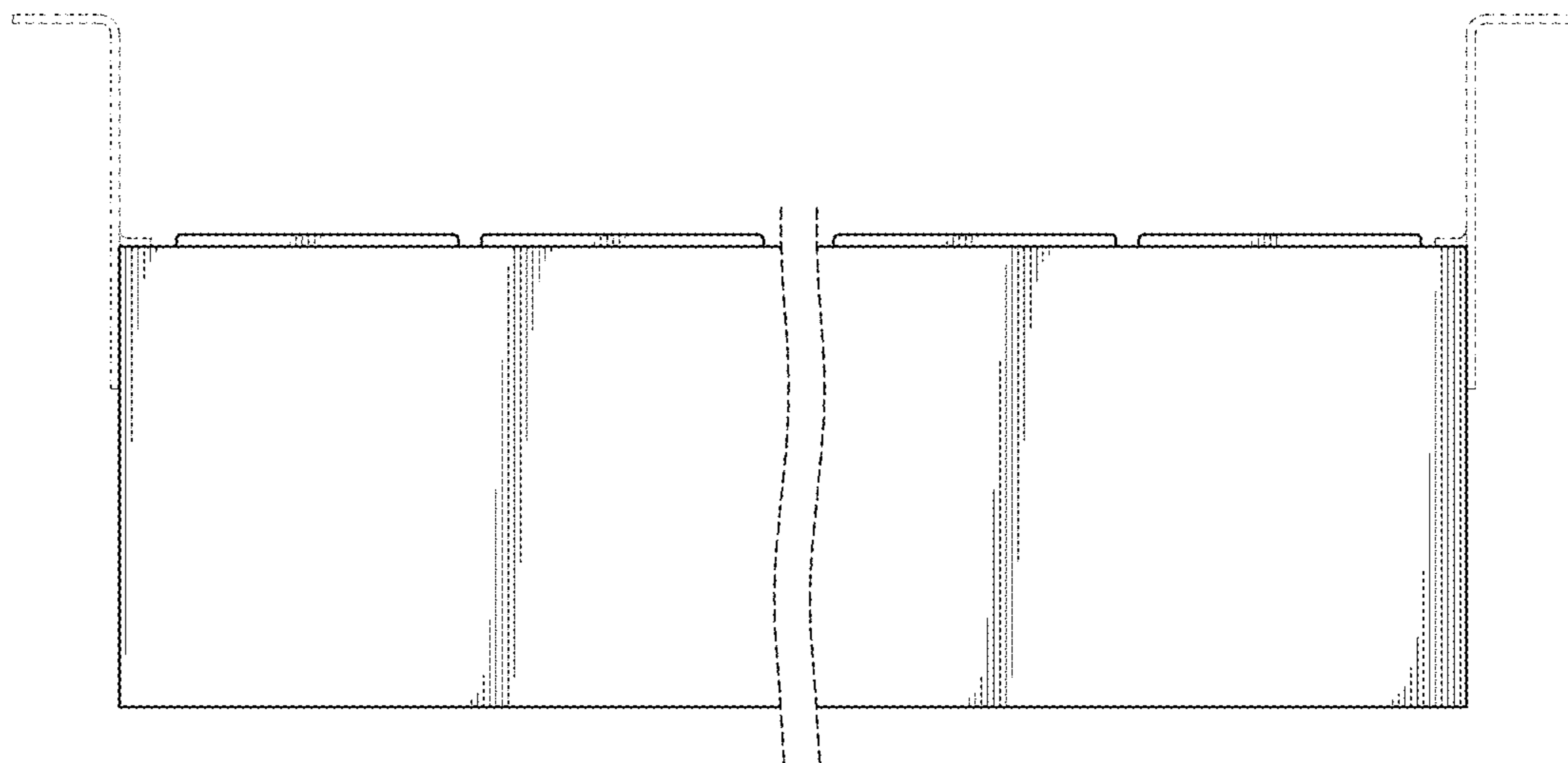


FIG. 4

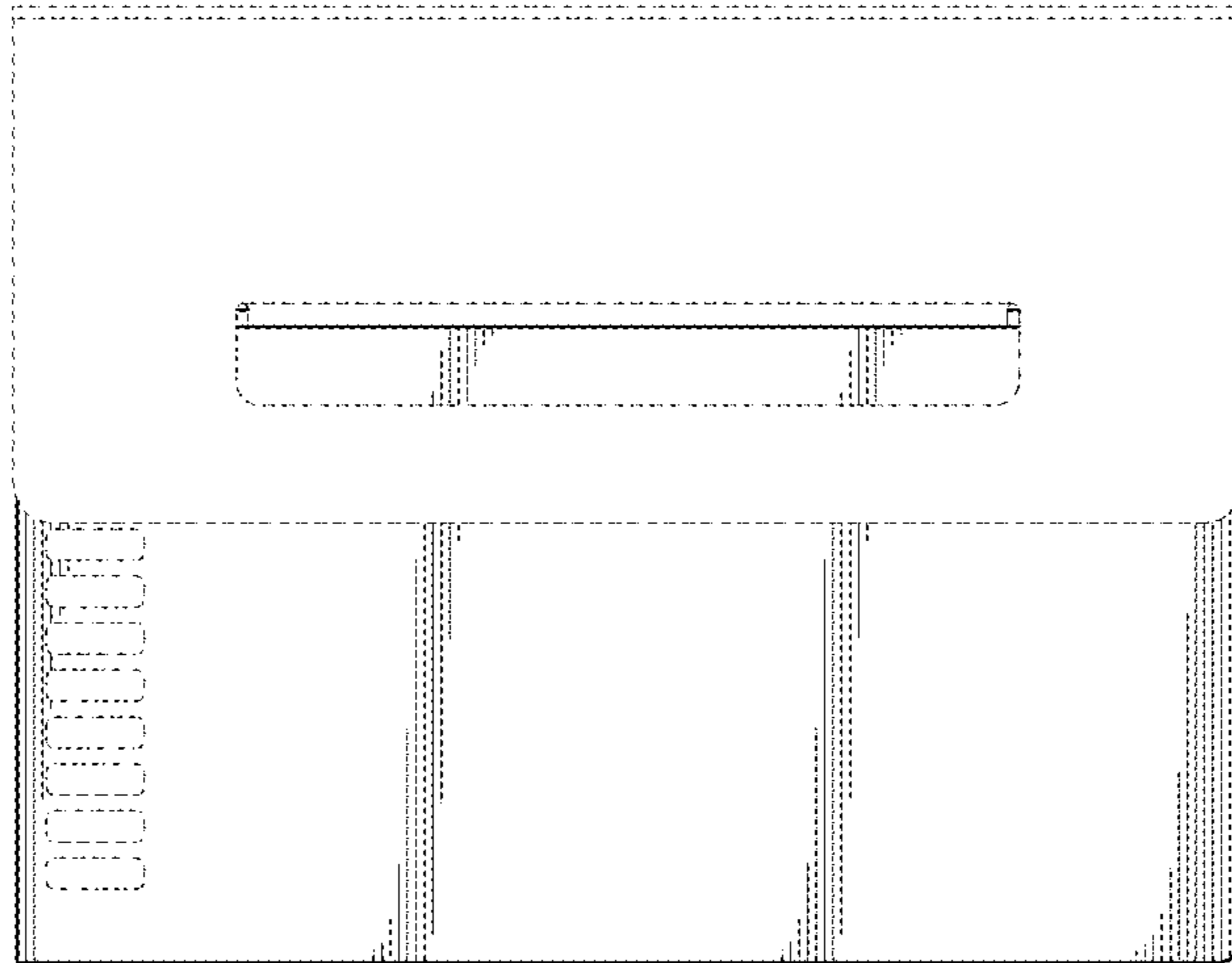


FIG. 5

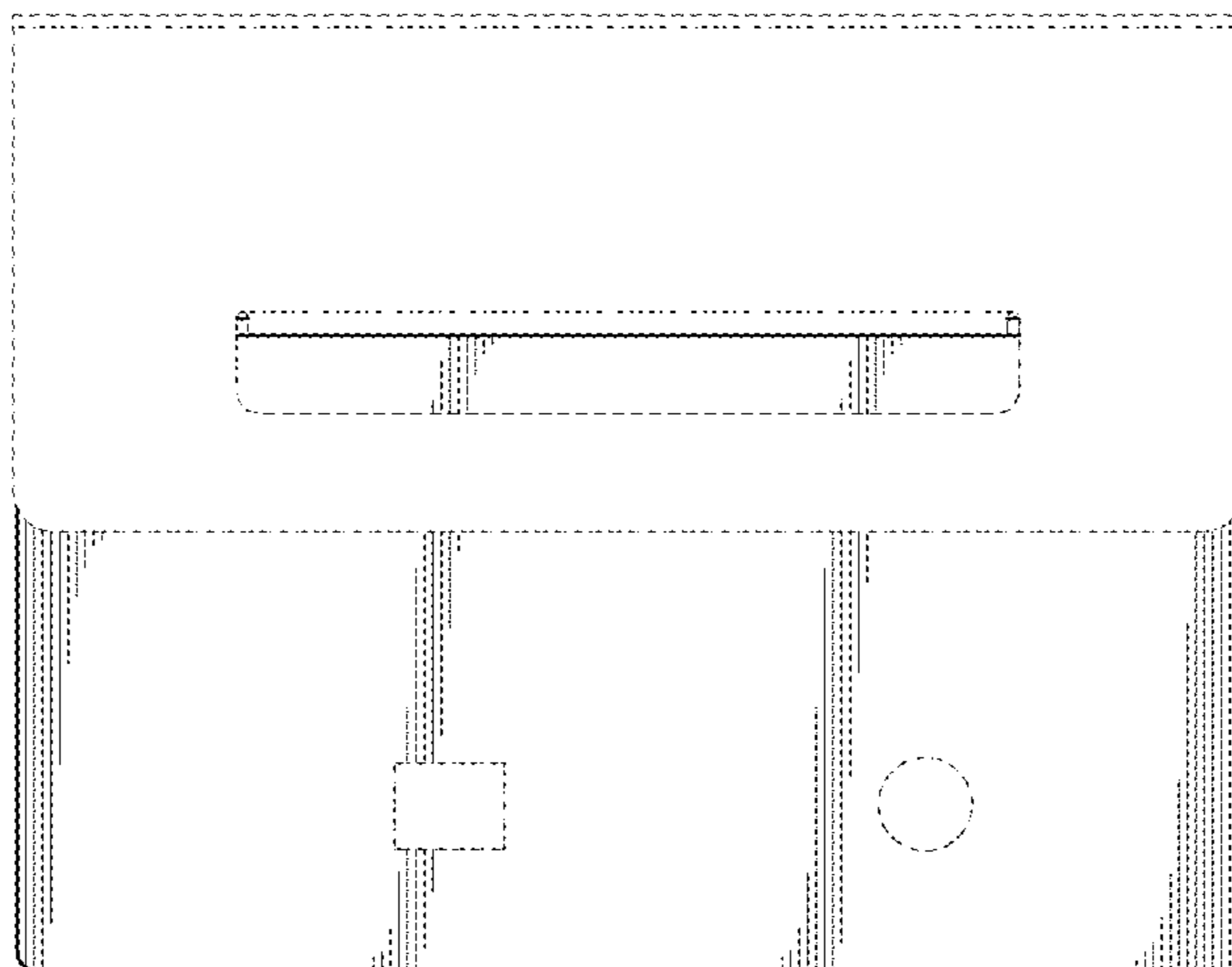


FIG. 6

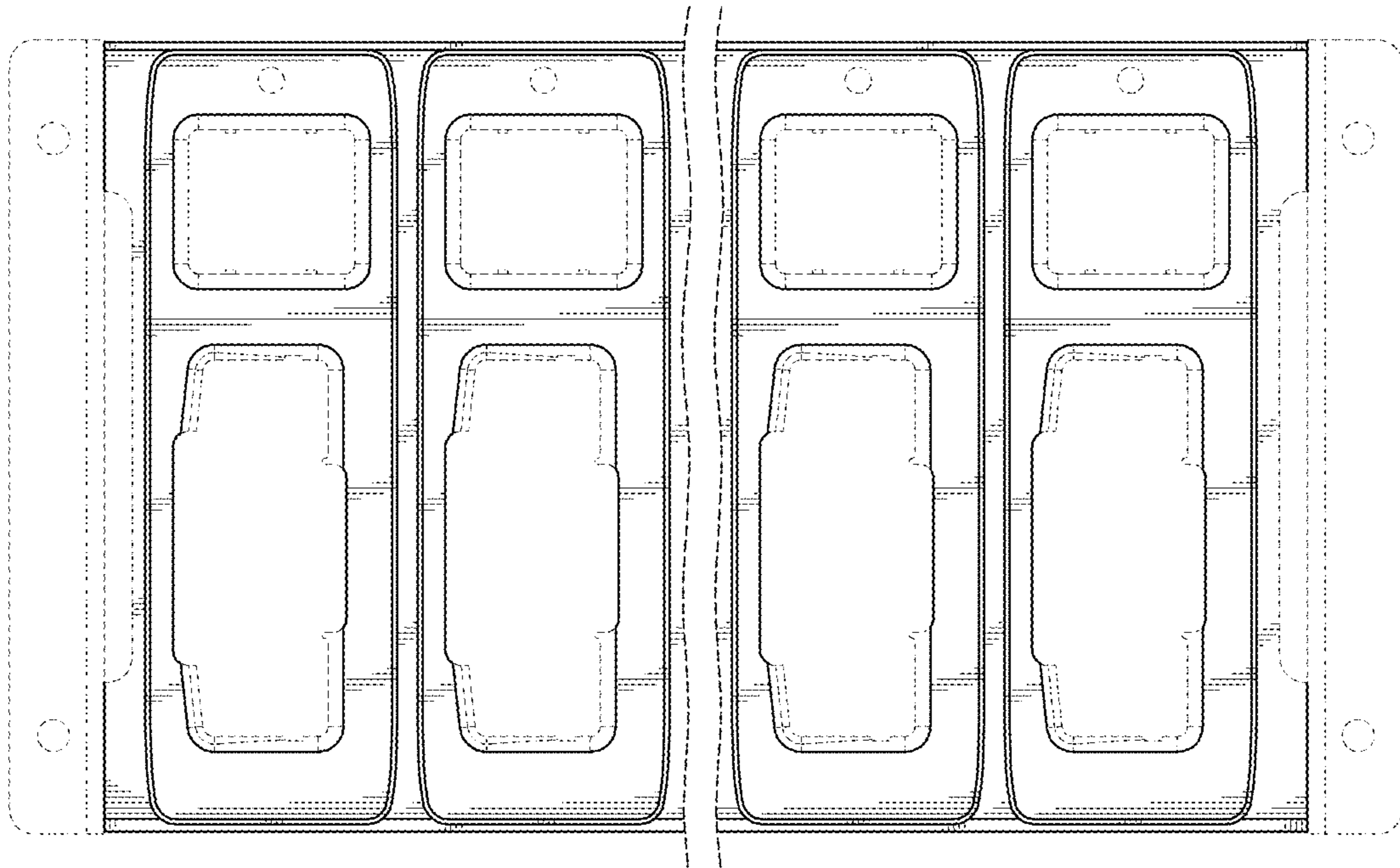


FIG. 7

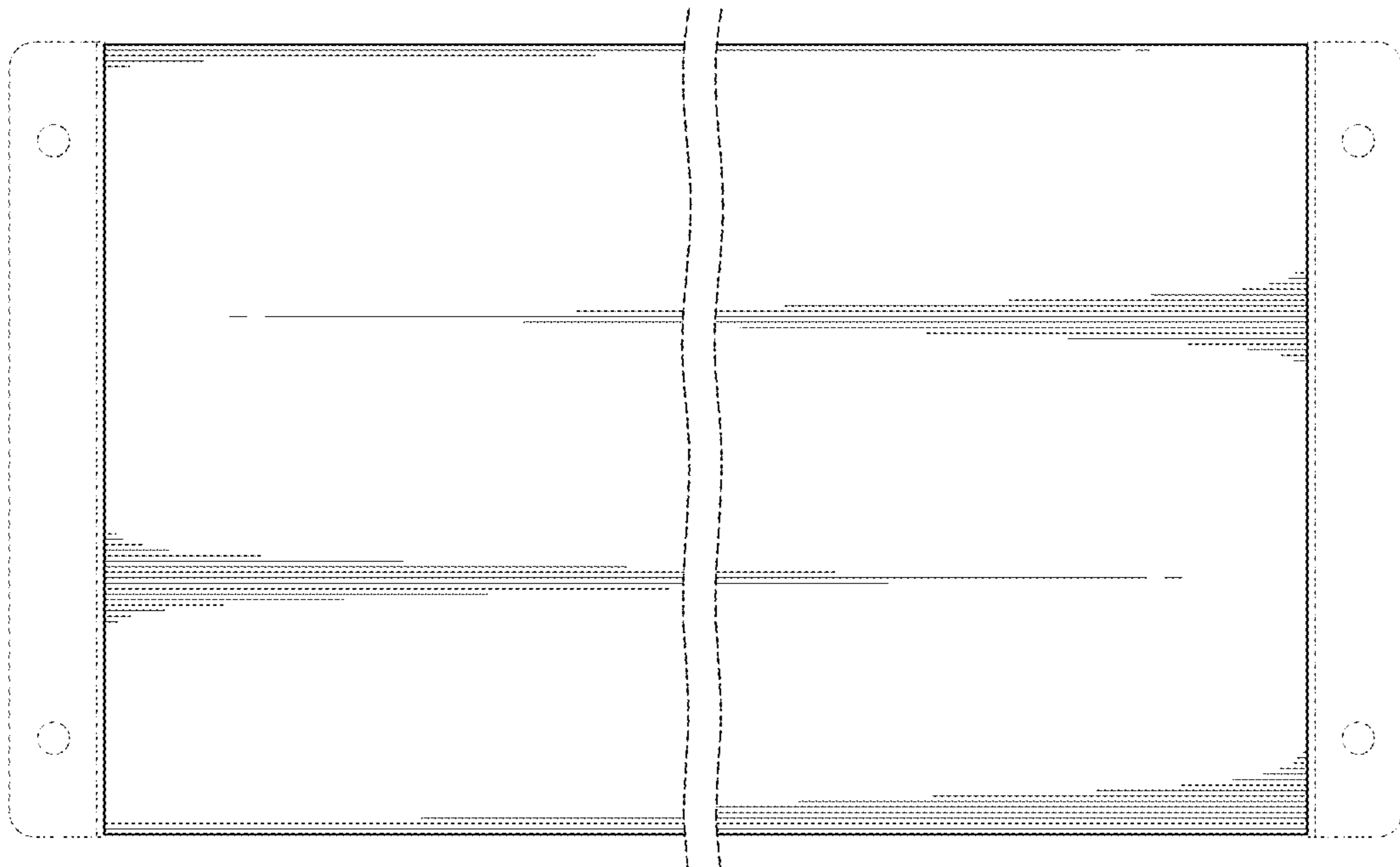


FIG. 8