



US00D894903S

(12) **United States Design Patent**
Endo et al.

(10) **Patent No.:** **US D894,903 S**
(45) **Date of Patent:** **** Sep. 1, 2020**

(54) **HAND-HELD SCANNER**

(71) Applicant: **Keyence Corporation**, Osaka (JP)

(72) Inventors: **Daisuke Endo**, Osaka (JP); **Tomomi Izaki**, Osaka (JP)

(73) Assignee: **KEYENCE CORPORATION**, Osaka (JP)

(**) Term: **15 Years**

(21) Appl. No.: **29/688,865**

(22) Filed: **Apr. 25, 2019**

(51) **LOC (12) Cl.** **14-02**

(52) **U.S. Cl.**
USPC **D14/428**

(58) **Field of Classification Search**
USPC D14/420, 426–430, 453, 346, 341, 347, D14/412, 138 R, 138 AA, 138 C; D13/107, 184; 358/473; 235/462.43, 235/462.45, 462.47, 462.48, 462.44, 235/462.46, 487, 472.01, 472.02, 145 A, 235/145 R, 385, 440, 383, 454, 462.01; D10/78, 46, 70, 75, 80; 324/426; D3/273; 710/73; D18/7; 361/679, 728, 361/679.56, 679.55, 679.59; 382/313, 382/321; 455/575.1, 561, 572, 557, 349, 455/556.1, 556.2, 90.3; 345/156, 168, 345/169, 172, 173, 87; 705/17, 18, 705/22–25; 343/872, 846, 700 MS
CPC G06F 1/626; G06F 1/1626; G06F 1/1656; G06F 1/1632; G06F 1/1684; G06F 1/1635; G06F 8/63; G06F 17/30091; G06F 9/4401; G06K 7/10881; G06K 7/1098; G06K 7/10722; G06K 7/1404; G06K 7/0004; G06K 7/10633; G06K 7/10851; G06K 7/1091; G06K 7/1092; G06K 7/1093; G06K 7/10; G06K 7/109; G06K 7/1417; G06K 7/10386; G06K 7/10079; G06K 7/10891; G06K 7/1097; G06K 7/10366; G06K 7/10425; G06K 7/10376; G06K 7/10396; G06K 7/015;

G06K 7/10316; G06K 9/228; G06K 17/0022; G06K 17/00; G06K 2207/1011; G06K 2207/1013; G06K 2207/1016; G06K 2207/1018; G06K 2017/0051; G06K 2017/0067; G06K 2007/10524; G06K 2007/10534; G06K 2007/10544; G06K 19/0723; G06K 7/1095; G06K 7/089; G06K 7/10821; G07G 1/0081; G07G 1/009; G06Q 20/20; G06Q 20/201; G06Q 20/202; G06Q 20/203; G06Q 20/30; G06Q 20/32; G06Q 20/322; G06Q 20/4014; G06Q 10/087; H04N 1/00127;
(Continued)

(56) **References Cited**

U.S. PATENT DOCUMENTS

6,394,355 B1 * 5/2002 Schlieffers G06K 7/10881
235/462.45
D470,847 S * 2/2003 Carlson D14/428
(Continued)

Primary Examiner — Susan Moon Lee
(74) *Attorney, Agent, or Firm* — Kilyk & Bowersox, P.L.L.C.

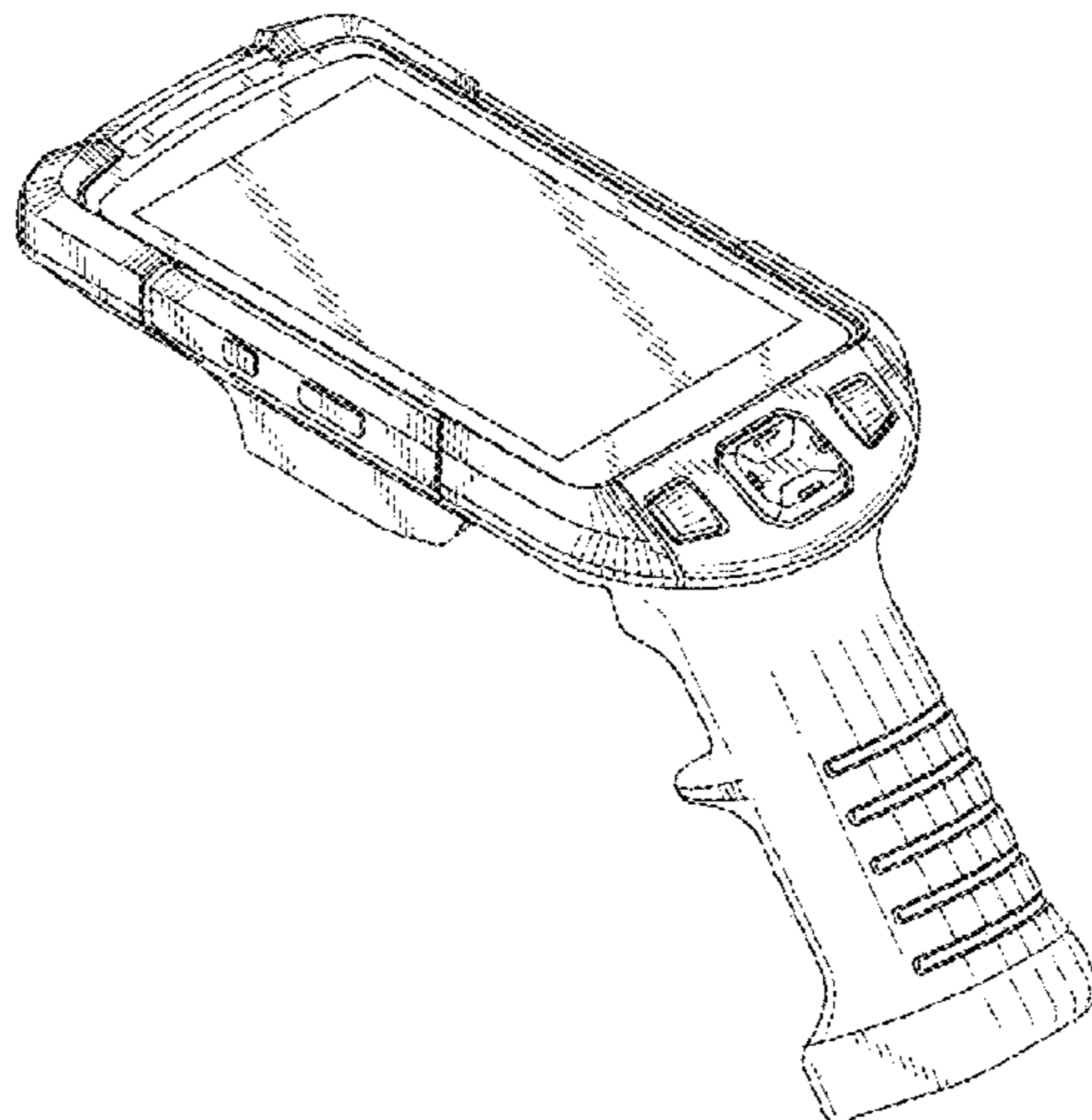
(57) **CLAIM**

The ornamental design for a hand-held scanner, as shown and described.

DESCRIPTION

FIG. 1 is a top view of a hand-held scanner showing our new design;
FIG. 2 is a right view thereof;
FIG. 3 is a left view thereof;
FIG. 4 is a front view;
FIG. 5 is a rear view;
FIG. 6 is a bottom view thereof; and,
FIG. 7 is a perspective view as viewed from the side and top direction thereof.

1 Claim, 7 Drawing Sheets



(58) **Field of Classification Search**

CPC H04N 1/00135; H04N 1/00326; H04N 1/00334; H04N 1/00307; H04N 1/107; H04N 2201/0084; H04N 2101/00; H04M 1/0249; H04M 1/0262; H04M 1/0266; H04M 1/18; H04M 1/23; H04M 1/236; H04B 1/3827; H04B 1/3833; H04B 1/3877; H04B 1/3883; H04B 1/3888; H04B 2001/3894; H01M 2/1066; H01Q 1/42; H01Q 1/2216; H01Q 1/20; H01Q 1/22; H01Q 1/2208; H01Q 1/2258; H01Q 1/241; H01Q 1/242; H01Q 1/244; H01Q 1/27; H01Q 1/273; H01Q 9/16; H01Q 9/285; H01Q 19/28; Y10T 29/49016

See application file for complete search history.

(56) **References Cited**

U.S. PATENT DOCUMENTS

D494,593 S 8/2004 Wulff et al.
 D512,427 S * 12/2005 Choi D14/428
 D518,482 S * 4/2006 Hodges D14/426
 D556,761 S 12/2007 MacGregor et al.
 D558,206 S * 12/2007 Watanabe D14/428
 D558,768 S * 1/2008 Jenkins D14/428
 D574,838 S * 8/2008 Palmer D14/426
 D634,435 S * 3/2011 Chua D24/186
 D659,033 S * 5/2012 Bailey D10/63
 D729,247 S * 5/2015 Hackett D14/426
 D737,823 S * 9/2015 Partridge D14/428
 9,239,590 B2 * 1/2016 Vargas G06F 1/1632
 D762,604 S * 8/2016 Fitch D14/138 G
 9,436,226 B2 * 9/2016 Chen G06K 7/10881
 D797,106 S * 9/2017 Paolizzi D14/426
 D822,663 S * 7/2018 Paolizzi D14/428
 D840,402 S * 2/2019 Lim D14/428
 2001/0008390 A1 * 7/2001 Berquist G06K 7/10881
 340/10.31

2006/0266841 A1 * 11/2006 Hansen G06F 1/1684
 235/472.02
 2009/0160638 A1 * 6/2009 Jesme G06K 7/10346
 340/539.11
 2009/0239593 A1 * 9/2009 Jayasinghe H01Q 1/088
 455/575.1
 2009/0322867 A1 * 12/2009 Carrey A61B 1/00154
 348/77
 2013/0311314 A1 * 11/2013 Fernando G06Q 20/204
 705/17
 2014/0045550 A1 * 2/2014 Rosenberg H04M 1/72575
 455/557
 2014/0099526 A1 * 4/2014 Powell G06K 7/0004
 429/100
 2014/0233180 A1 * 8/2014 Vargas G06F 1/1613
 361/679.55
 2014/0249941 A1 * 9/2014 Hicks G06K 7/10821
 705/17
 2014/0249942 A1 * 9/2014 Hicks G06Q 20/20
 705/17
 2014/0368317 A1 * 12/2014 Man G06K 7/109
 340/10.1
 2015/0028104 A1 * 1/2015 Ma G06K 7/10722
 235/462.08
 2015/0126245 A1 * 5/2015 Barkan G06K 7/10732
 455/556.1
 2015/0186686 A1 * 7/2015 Sun G06K 7/10881
 235/437
 2015/0355681 A1 * 12/2015 Chen G06F 1/1654
 361/679.56
 2016/0055357 A1 * 2/2016 Hicks G06K 7/0004
 235/383
 2016/0078257 A1 * 3/2016 Liou G06K 7/10792
 340/10.3
 2016/0359223 A1 * 12/2016 Zhao H01Q 9/16
 2017/0092442 A1 * 3/2017 Minaf G06K 7/10881
 2017/0124361 A1 * 5/2017 Wilfred H04W 48/10
 2018/0068145 A1 * 3/2018 Todeschini G06K 19/06028
 2018/0260592 A1 * 9/2018 Trishaun G06K 7/10386

* cited by examiner

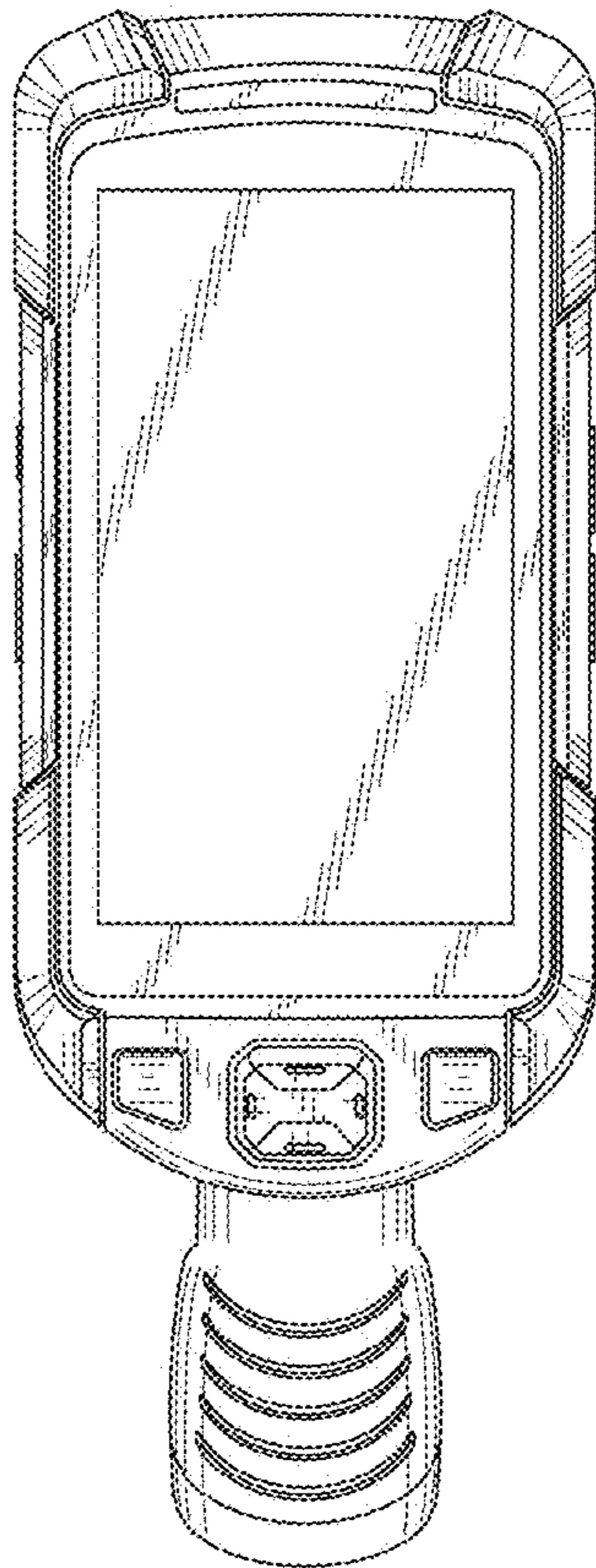


FIG. 1

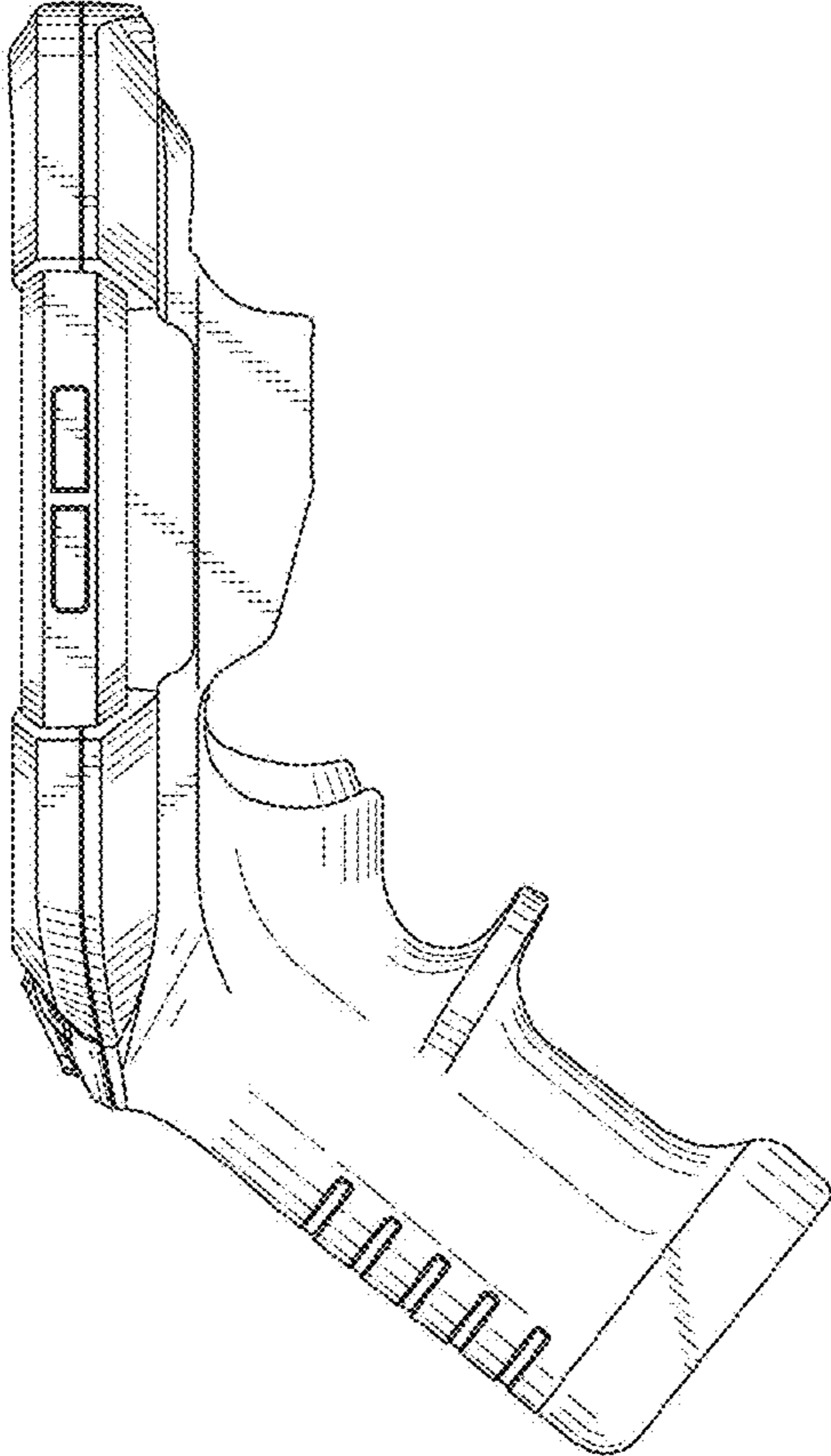


FIG. 2

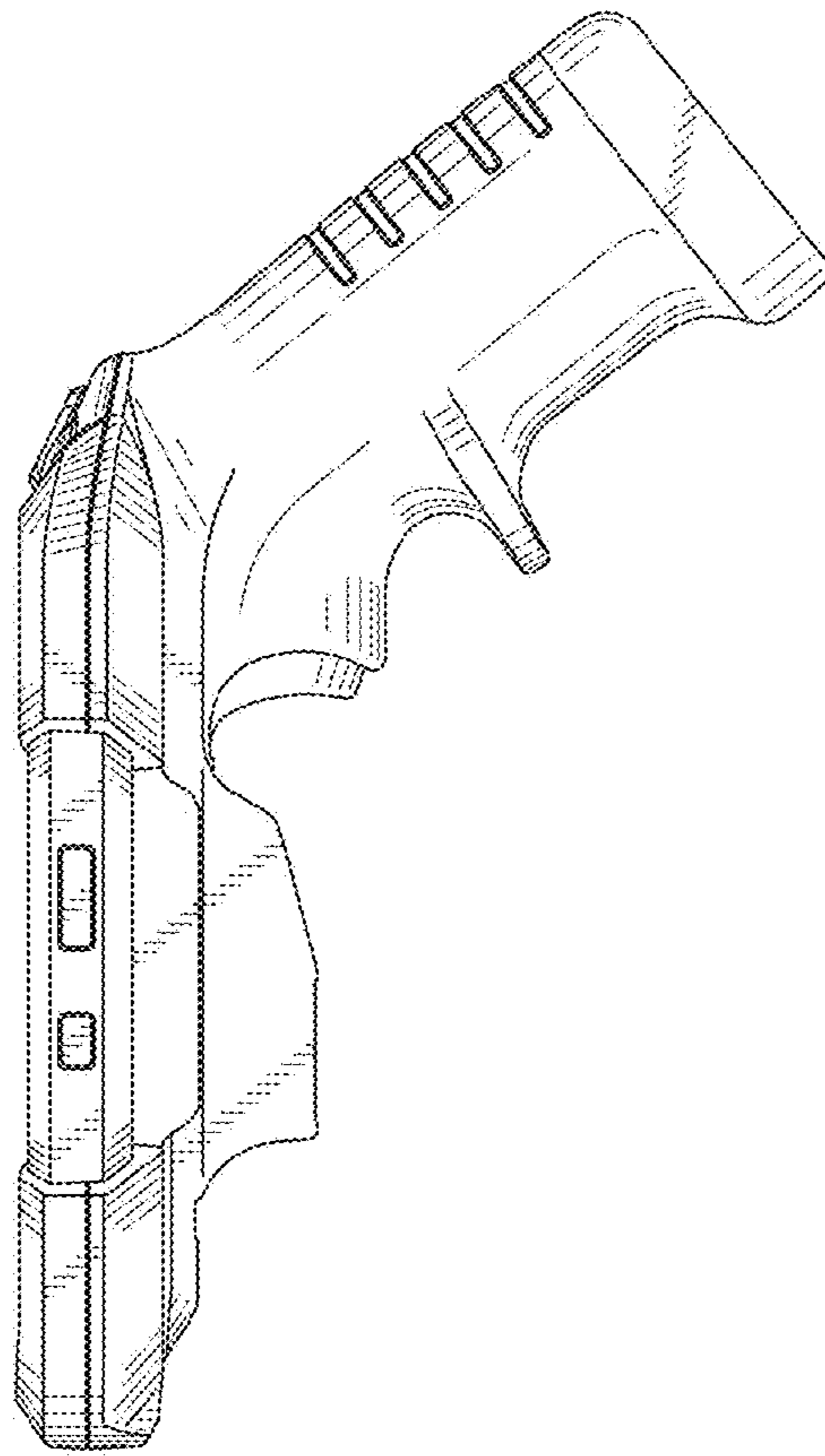


FIG. 3

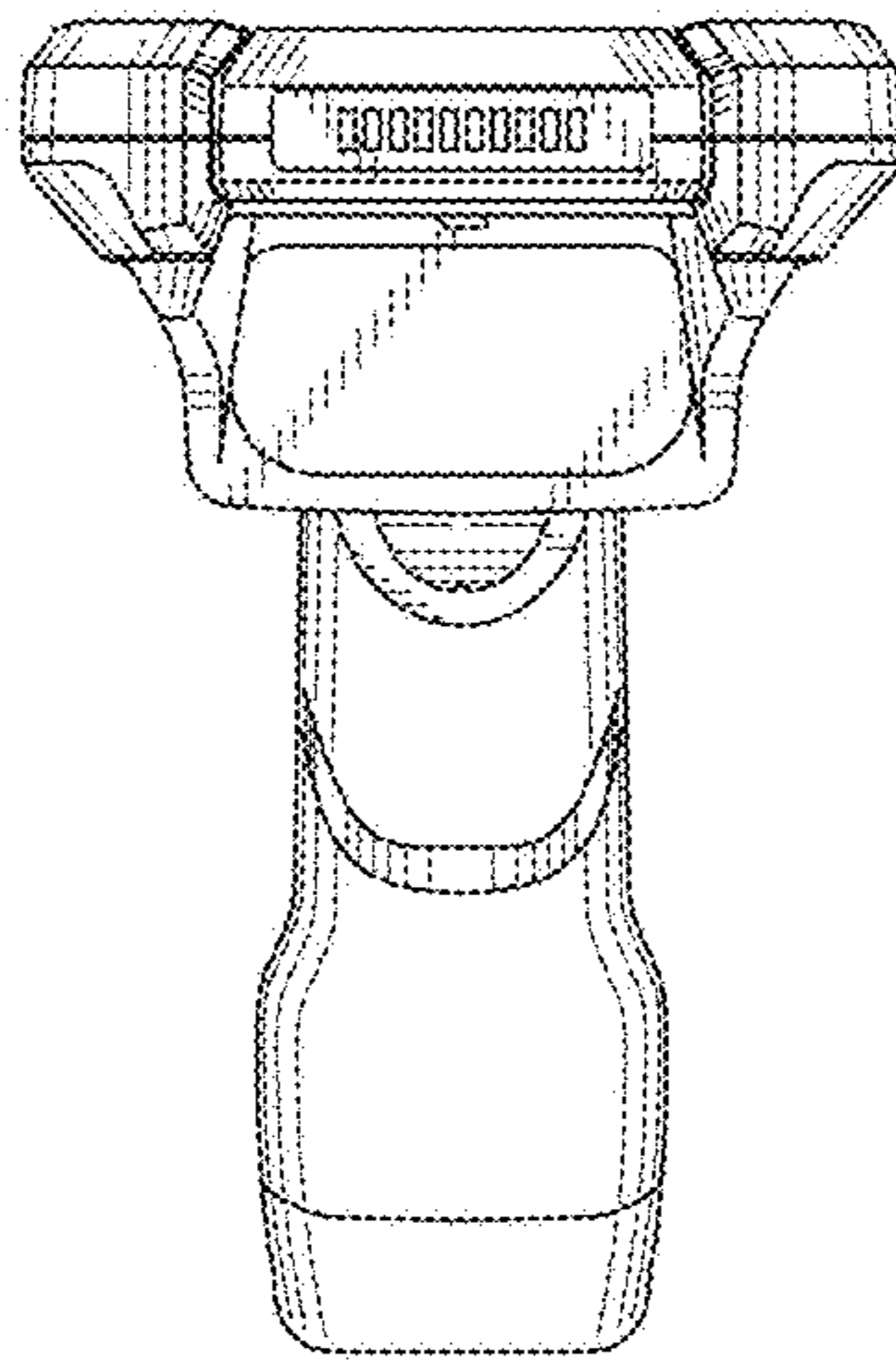


FIG. 4

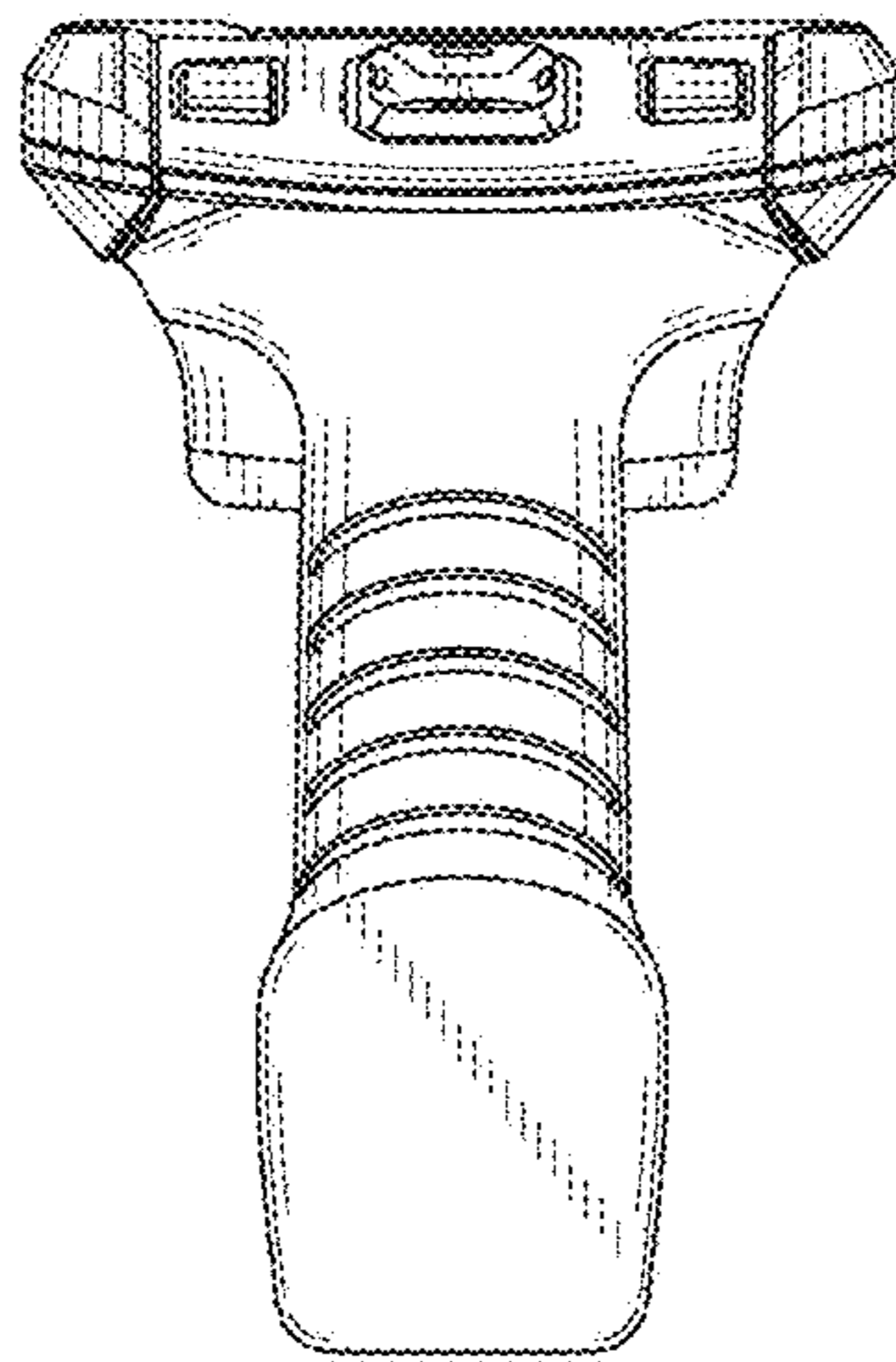


FIG. 5

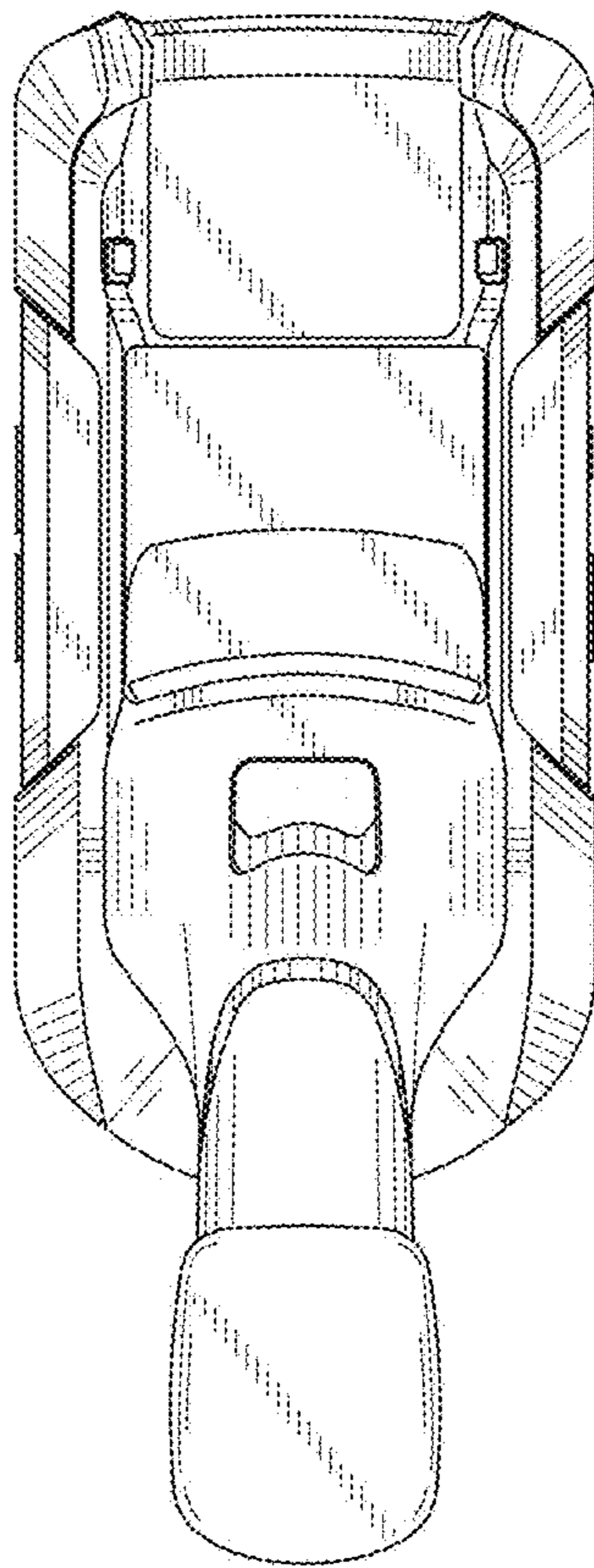


FIG. 6

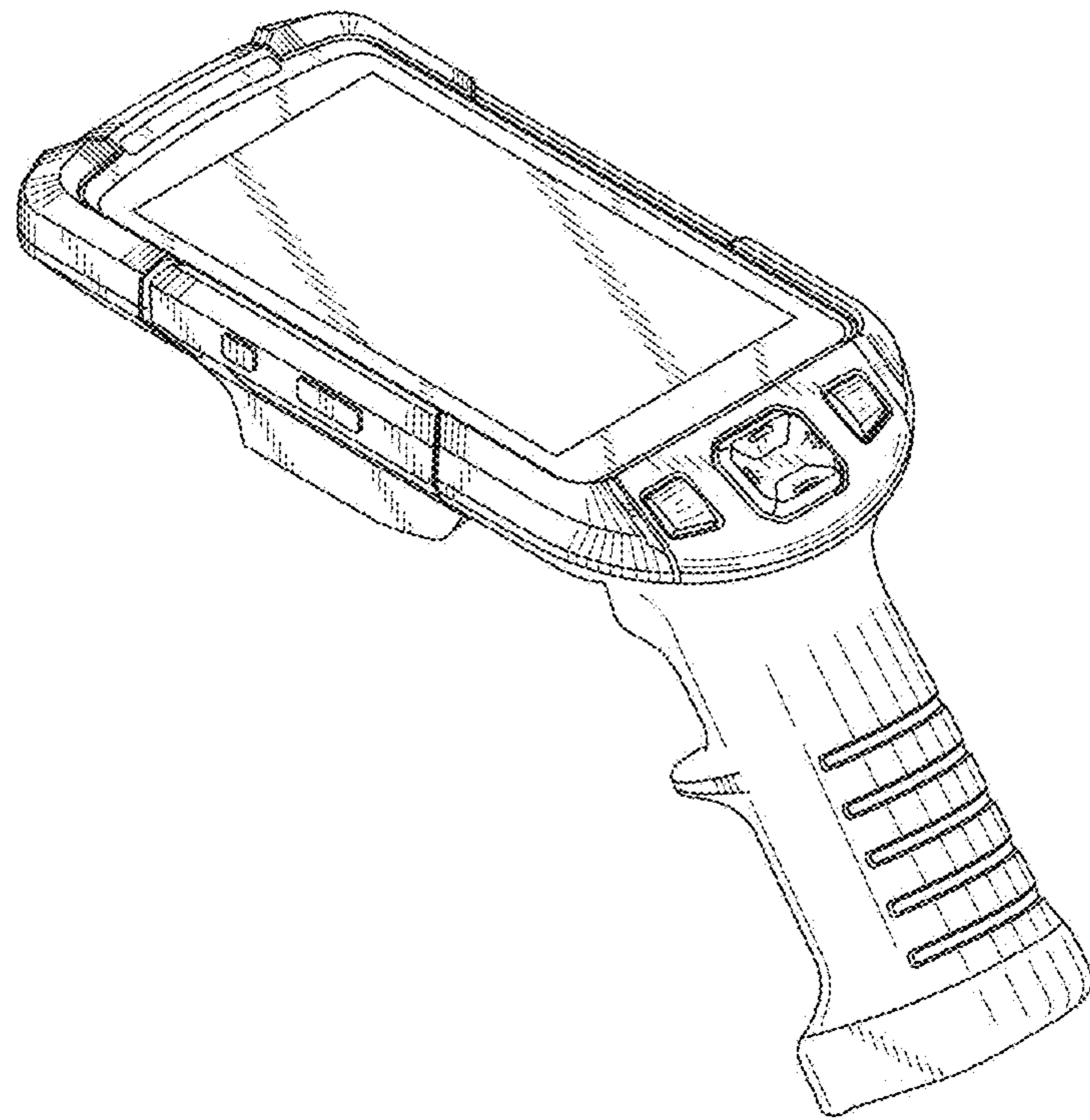


FIG. 7