



US00D894901S

(12) **United States Design Patent**  
**Nishida**

(10) **Patent No.:** **US D894,901 S**

(45) **Date of Patent:** **\*\* Sep. 1, 2020**

(54) **STYLUS**

(71) Applicant: **MITSUBISHI PENCIL COMPANY, LIMITED**, Tokyo (JP)

(72) Inventor: **Tsuyoshi Nishida**, Tokyo (JP)

(73) Assignee: **MITSUBISHI PENCIL COMPANY, LIMITED**, Tokyo (JP)

(\*\*) Term: **15 Years**

(21) Appl. No.: **29/688,640**

(22) Filed: **Apr. 23, 2019**

(30) **Foreign Application Priority Data**

Oct. 31, 2018 (JP) ..... 2018-024022

(51) **LOC (12) Cl.** ..... **14-02**

(52) **U.S. Cl.**  
USPC ..... **D14/411**

(58) **Field of Classification Search**  
USPC ..... D14/372, 496, 432, 371, 125, 126, 129,  
D14/299, 411; D16/300-342; 351/158,  
351/153, 144; 345/7-9, 905; 455/344;  
348/115, 53, 121, 739  
CPC ..... G02B 27/017; G06F 3/016; G06F 3/033;  
G06F 3/0317; G06F 3/03545; G06F  
3/041; G06K 9/222

See application file for complete search history.

(56) **References Cited**

**U.S. PATENT DOCUMENTS**

D601,192 S \* 9/2009 Chen ..... D19/182  
D641,755 S \* 7/2011 Rashid ..... D14/411  
D660,910 S \* 5/2012 Carpenter ..... D19/133  
D681,113 S \* 4/2013 Huang ..... D19/185  
D688,665 S \* 8/2013 Huang ..... D14/411  
D743,964 S \* 11/2015 Swessi ..... D14/411

D744,038 S \* 11/2015 Wang ..... D19/182  
D768,133 S \* 10/2016 Reed ..... D14/411  
D825,566 S \* 8/2018 Peterson ..... D14/411  
D826,230 S \* 8/2018 Peterson ..... D14/411  
D851,704 S \* 6/2019 Vadenne ..... D19/195

(Continued)

**FOREIGN PATENT DOCUMENTS**

JP D1563743 11/1916  
JP D1573086 4/1917  
JP D1573087 4/1917

(Continued)

**OTHER PUBLICATIONS**

U.S. Appl. No. 26/688,637, filed Apr. 23, 2019, Nishida.

(Continued)

*Primary Examiner* — Austin Murphy

(74) *Attorney, Agent, or Firm* — Andrew F. Young, Esq.;  
Lackenbach Siegel, LLP

(57) **CLAIM**

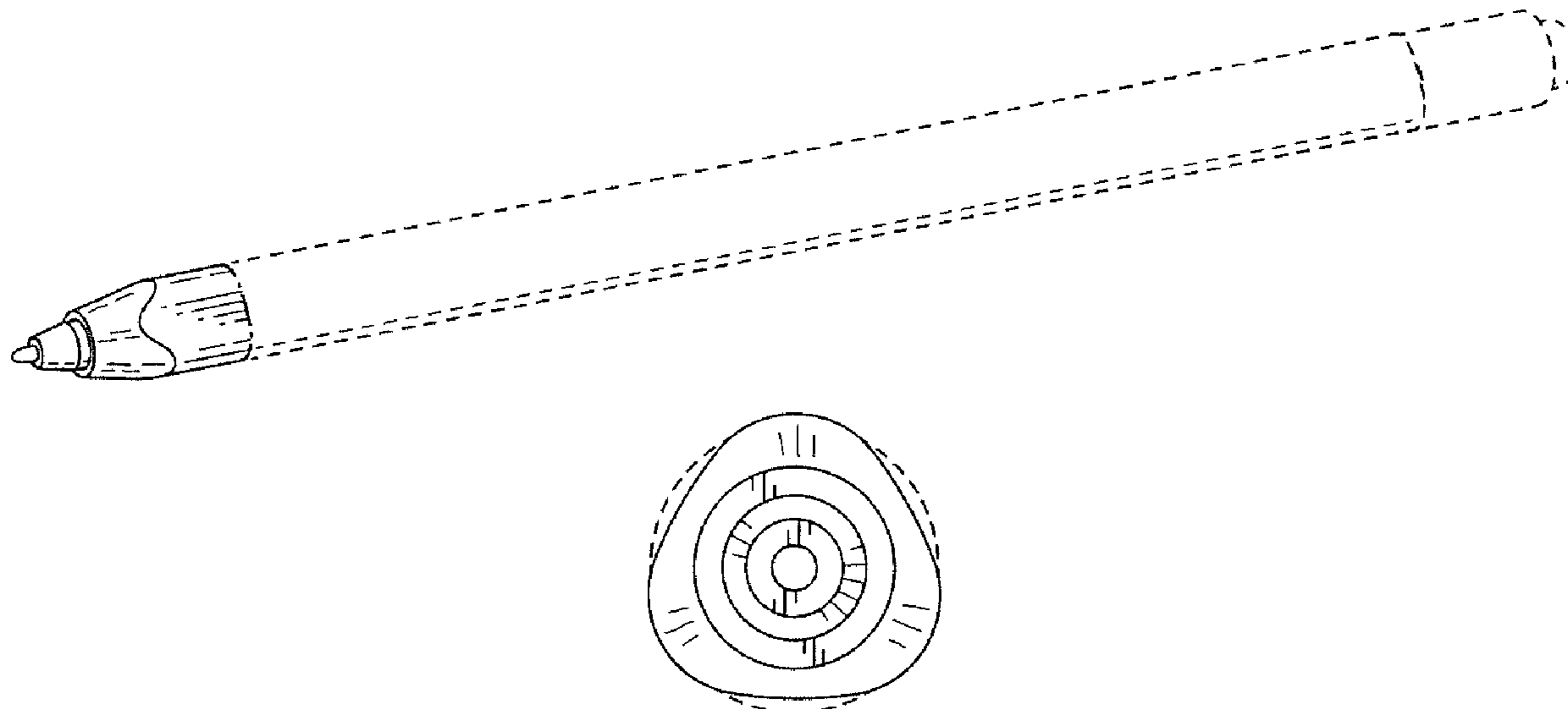
The ornamental design for a stylus, as shown and described.

**DESCRIPTION**

FIG. 1 is a perspective view of a stylus showing my new design;  
FIG. 2 is a front elevational view thereof; the rear elevational view being a mirror image thereof;  
FIG. 3 is an enlarged left side elevational view thereof;  
FIG. 4 is an enlarged right side elevational view thereof;  
FIG. 5 is a top plan view thereof;  
FIG. 6 is a bottom plan view thereof; and,  
FIG. 7 is an enlarged cross-sectional view thereof taken along the line 7-7 in FIG. 2.

The broken line showing is included for the purpose of illustrating portions of the article and forms no part of the claimed design. The dot-dashed lines show unclaimed boundaries.

**1 Claim, 4 Drawing Sheets**



(56)

**References Cited**

U.S. PATENT DOCUMENTS

D864,298 S \* 10/2019 Li ..... D19/177  
D879,778 S \* 3/2020 Nakajima ..... D14/411

FOREIGN PATENT DOCUMENTS

JP	D1573502	3/1918
JP	D1299366	5/2007
KR	30-0508134	10/2008
TW	D186820	11/1917
TW	D149212	9/2012
TW	D151475	1/2013
TW	D156327	10/2013
TW	D169989	8/2015

OTHER PUBLICATIONS

U.S. Appl. No. 26/688,644, filed Apr. 23, 2019, Nishida.  
TW 108302383D01, Taiwan Search Report, dated Nov. 26, 2019, 1  
page—English.  
TW 108302383D01, Taiwan Notice of Allowance dated Nov. 26,  
2019, 1 page—English, 2 pages—Taiwanese.

\* cited by examiner

FIG. 1

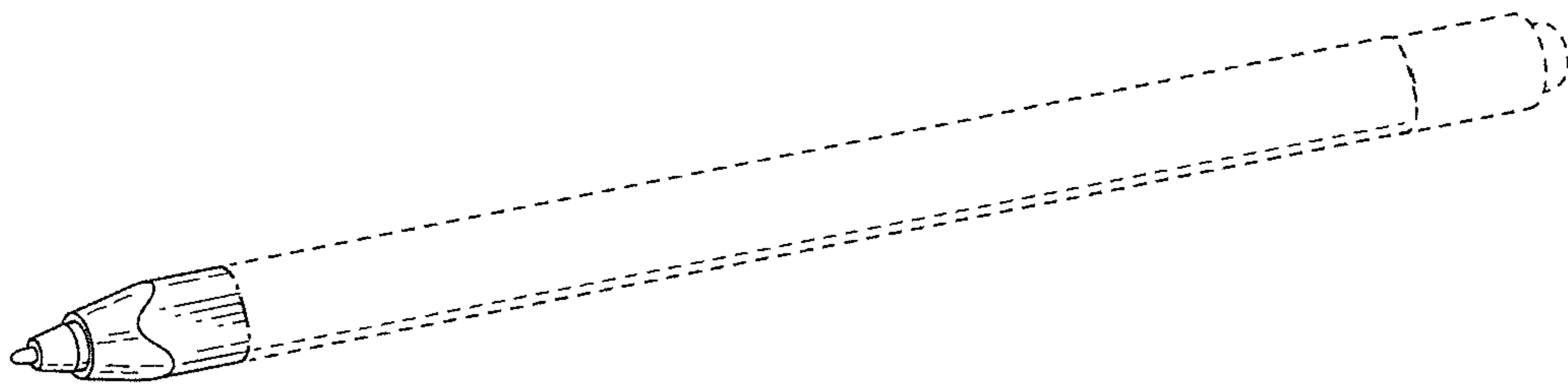


FIG. 2

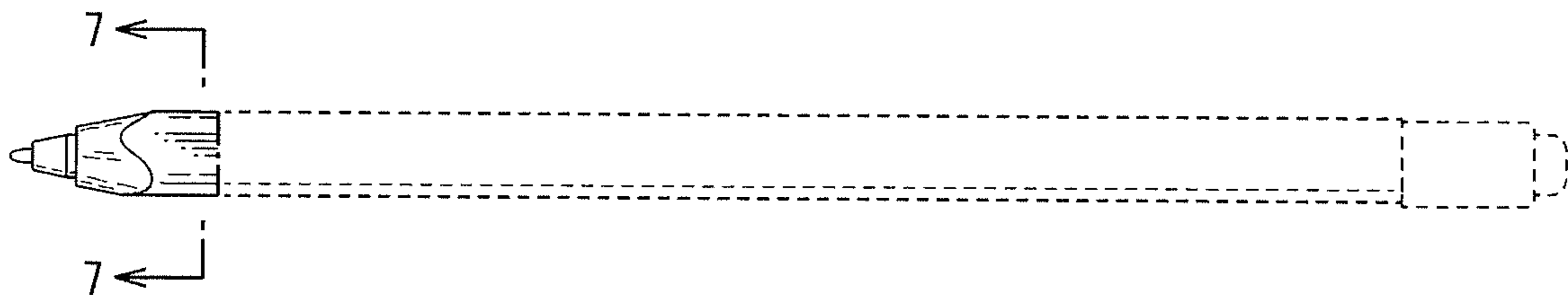


FIG. 3

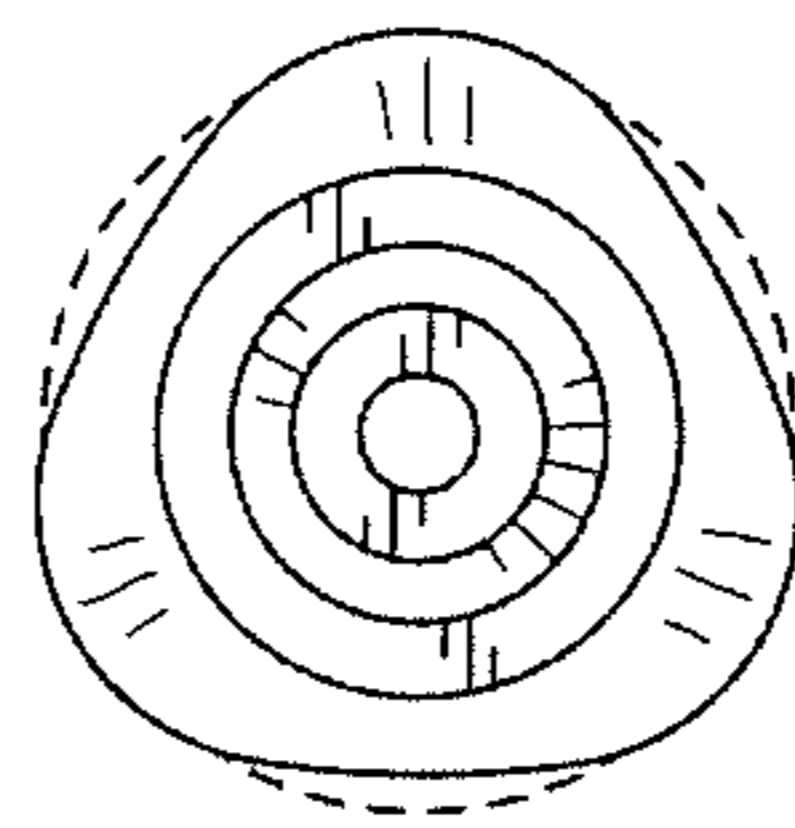


FIG. 4

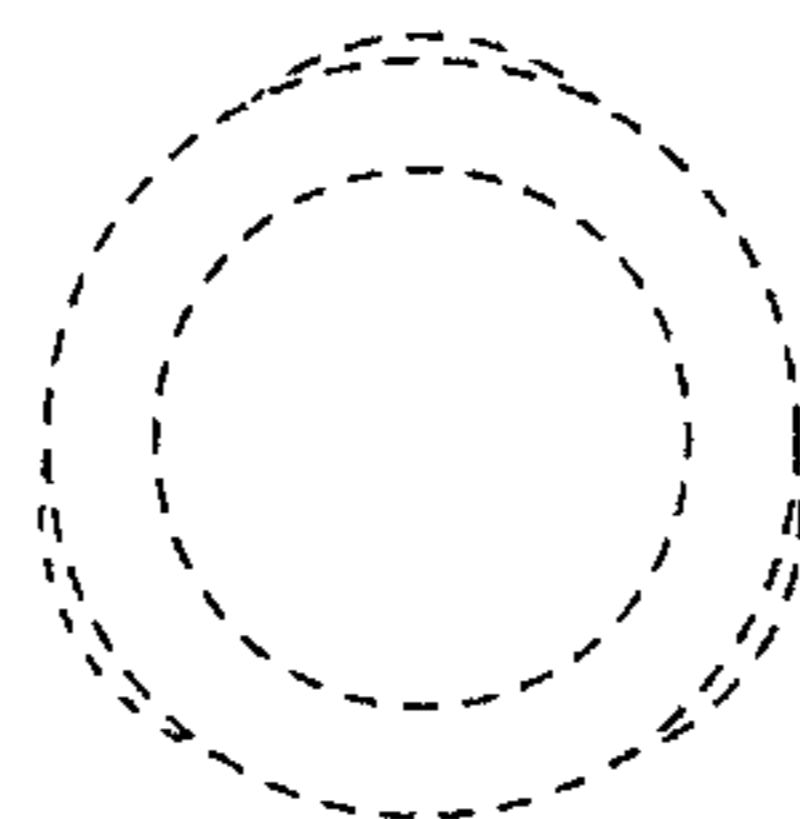


FIG. 5

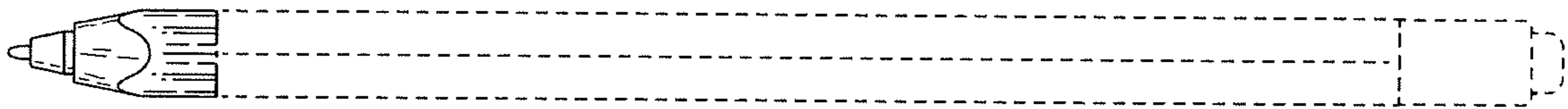


FIG. 6



FIG. 7

