



US00D894899S

(12) **United States Design Patent** (10) **Patent No.:** **US D894,899 S**
Cooper et al. (45) **Date of Patent:** **** Sep. 1, 2020**

(54) **COMPUTER POINTING DEVICE**

(56) **References Cited**

(71) Applicants: **The United States Government as represented by the Department of Veterans Affairs, Washington, DC (US); University of Pittsburgh—Of The Commonwealth System of Higher Education, Pittsburgh, PA (US)**

U.S. PATENT DOCUMENTS

D288,930 S *	3/1987	Barbera	D14/402
D328,596 S *	8/1992	Manabe	D14/402
D338,883 S *	8/1993	Melzer	D14/402
D357,238 S *	4/1995	Zirinsky	D14/402
D359,955 S *	7/1995	Barrett	D14/402
D427,598 S *	7/2000	Ciesko	D14/402
D441,362 S *	5/2001	Sevougian	D14/402
D442,958 S *	5/2001	Funakoshi	D14/402
D495,711 S *	9/2004	Willat	D14/402

(72) Inventors: **Rory A. Cooper, Gibsonia, PA (US); Garrett Grindle, Pittsburgh, PA (US); Zak Anzelone, Blairsville, PA (US); Aaron Anderson, Pittsburgh, PA (US)**

* cited by examiner

(73) Assignees: **The United States Government as represented by the Department of Veterans Affairs, Washington, DC (US); The University of Pittsburgh—Of The Commonwealth System of Higher Education, Pittsburgh, PA (US)**

Primary Examiner — Austin Murphy

(74) *Attorney, Agent, or Firm* — Ballard Spahr LLP

(**) Term: **15 Years**

(57) **CLAIM**

We claim the ornamental design for a computer pointing device, as shown and described.

(21) Appl. No.: **29/685,637**

(22) Filed: **Mar. 29, 2019**

(51) **LOC (12) Cl.** **14-02**

(52) **U.S. Cl.**
USPC **D14/402**

DESCRIPTION

FIG. 1 is an isometric view of our design for a computer pointing device;

FIG. 2 is a front view of the design of the computer pointing device shown in FIG. 1;

FIG. 3 is a rear view of the design of the computer pointing device shown in FIG. 1;

FIG. 4 is a right side view of the design of the computer pointing device shown in FIG. 1, the left side view being a mirror image thereof;

FIG. 5 is a top view of the design of the computer pointing device shown in FIG. 1; and,

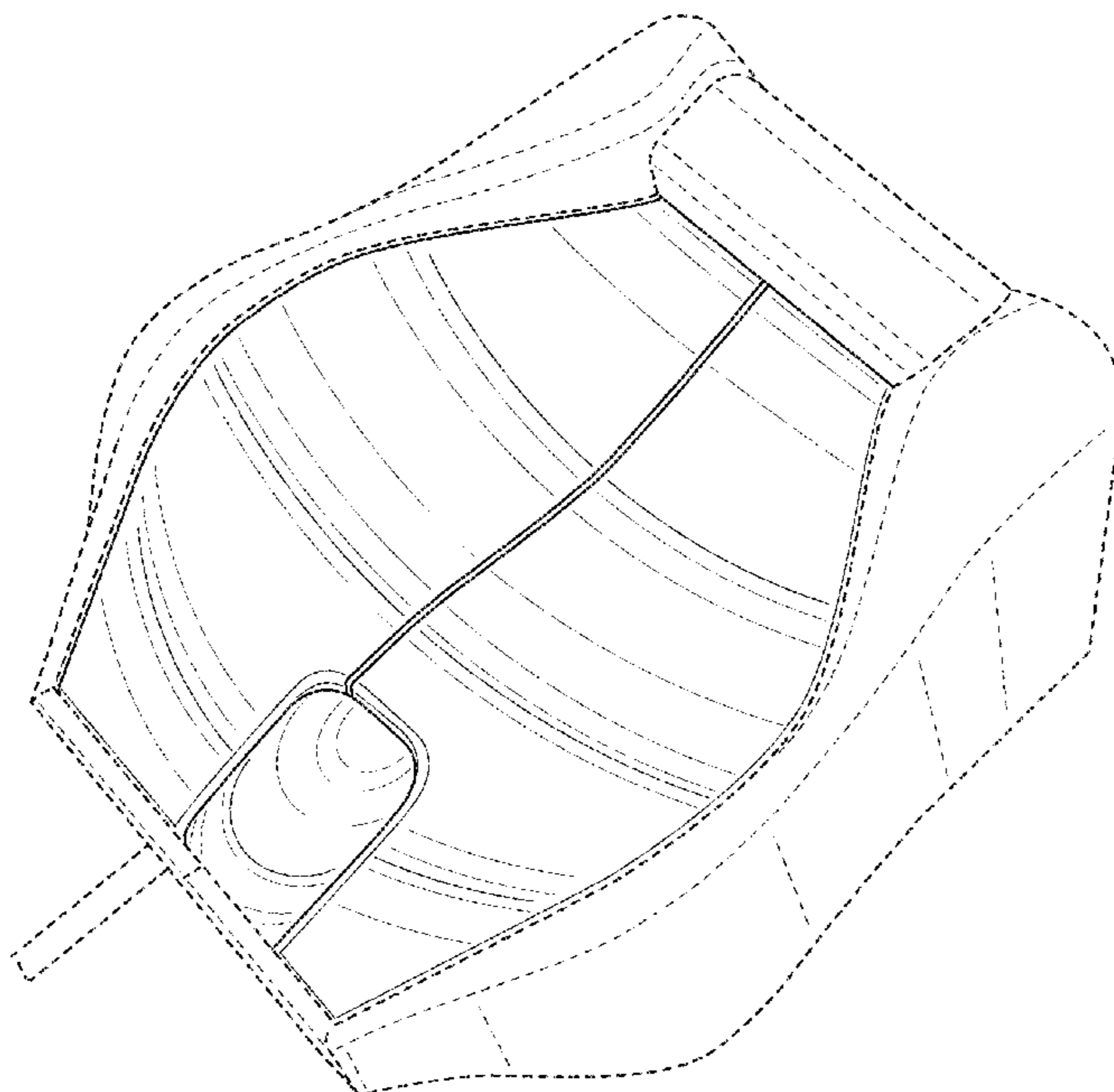
FIG. 6 is a bottom view of the design of the computer pointing device shown in FIG. 1.

The broken lines depict portions of the computer pointing device that form no part of the claimed design.

(58) **Field of Classification Search**
USPC D14/402-411, 356, 388, 389, 383-385,
D14/417, 426; 345/156-167; 463/36-38;
358/471, 473; 273/148 B
CPC G06F 3/03543; G06F 2203/0333; G06F
3/039; G06F 3/038; G06F 2203/0384

See application file for complete search history.

1 Claim, 6 Drawing Sheets



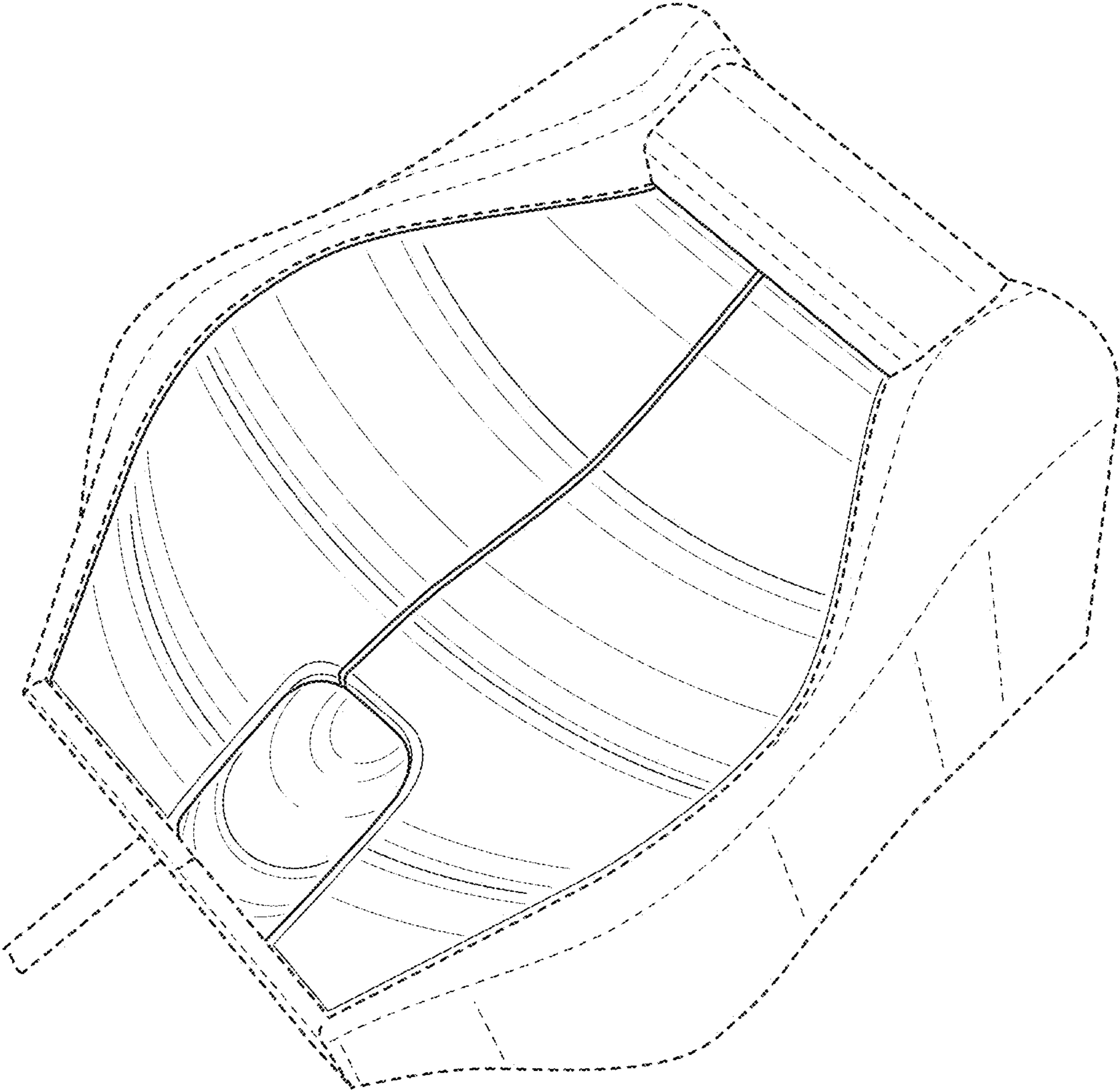


FIG. 1

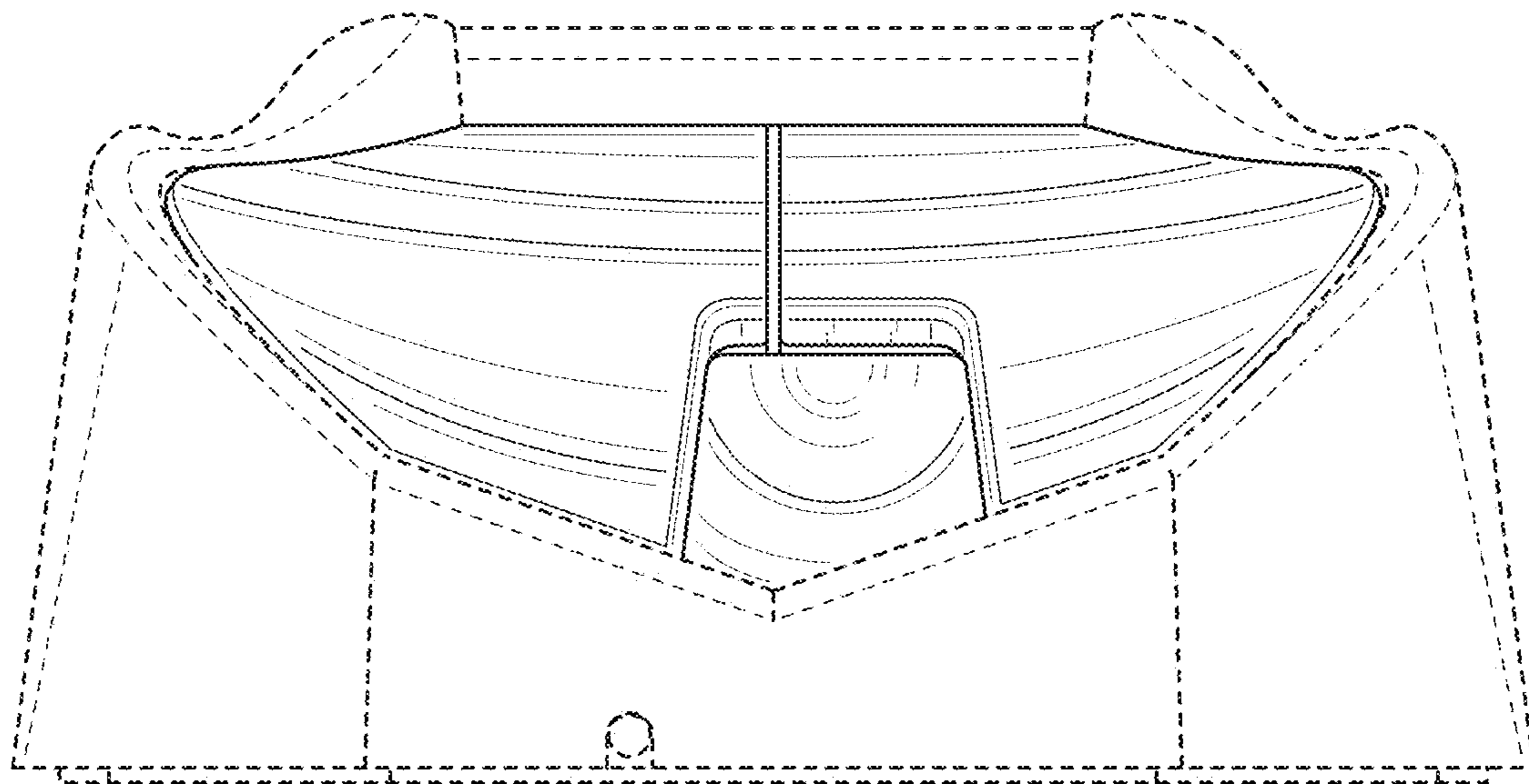


FIG. 2

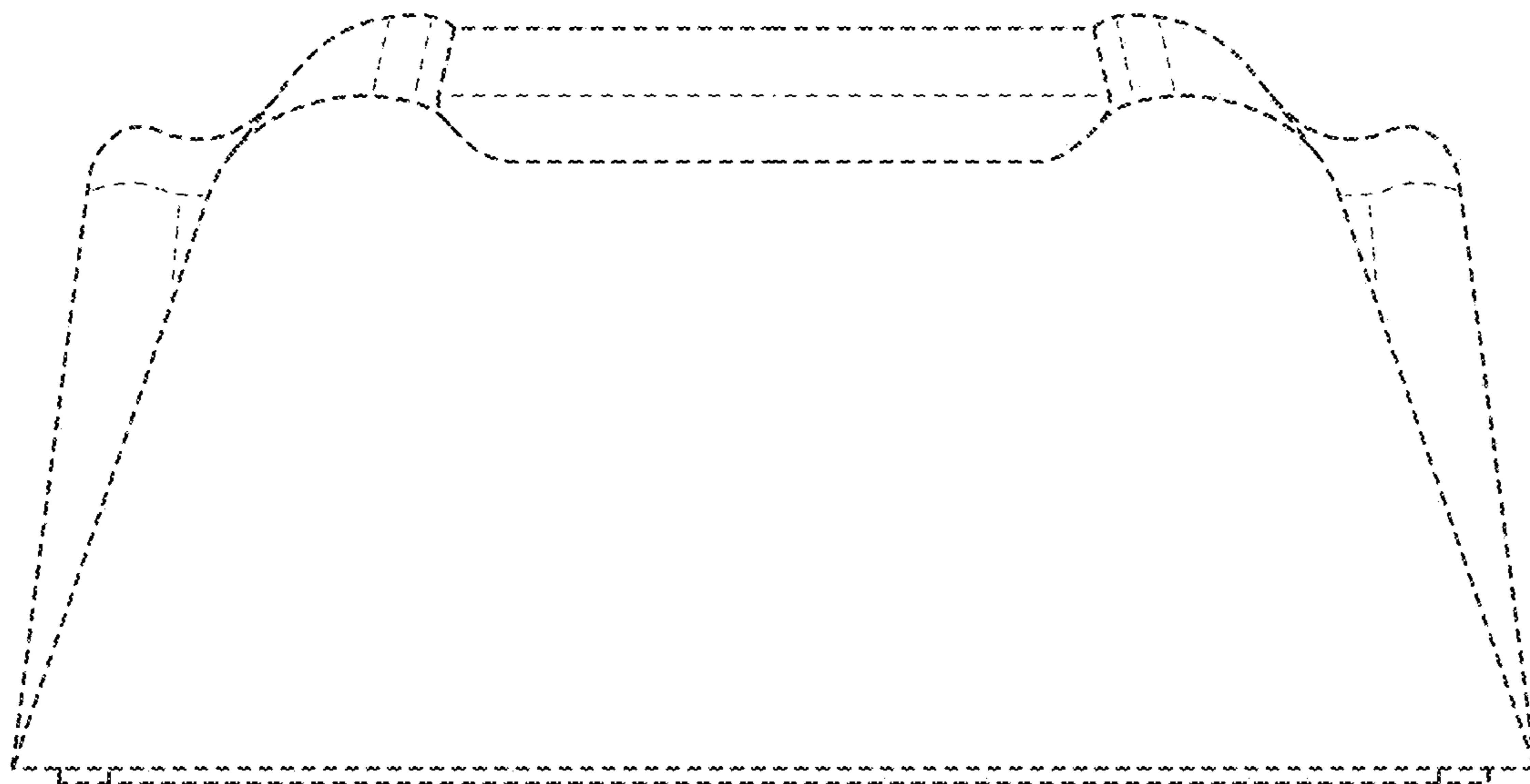


FIG. 3

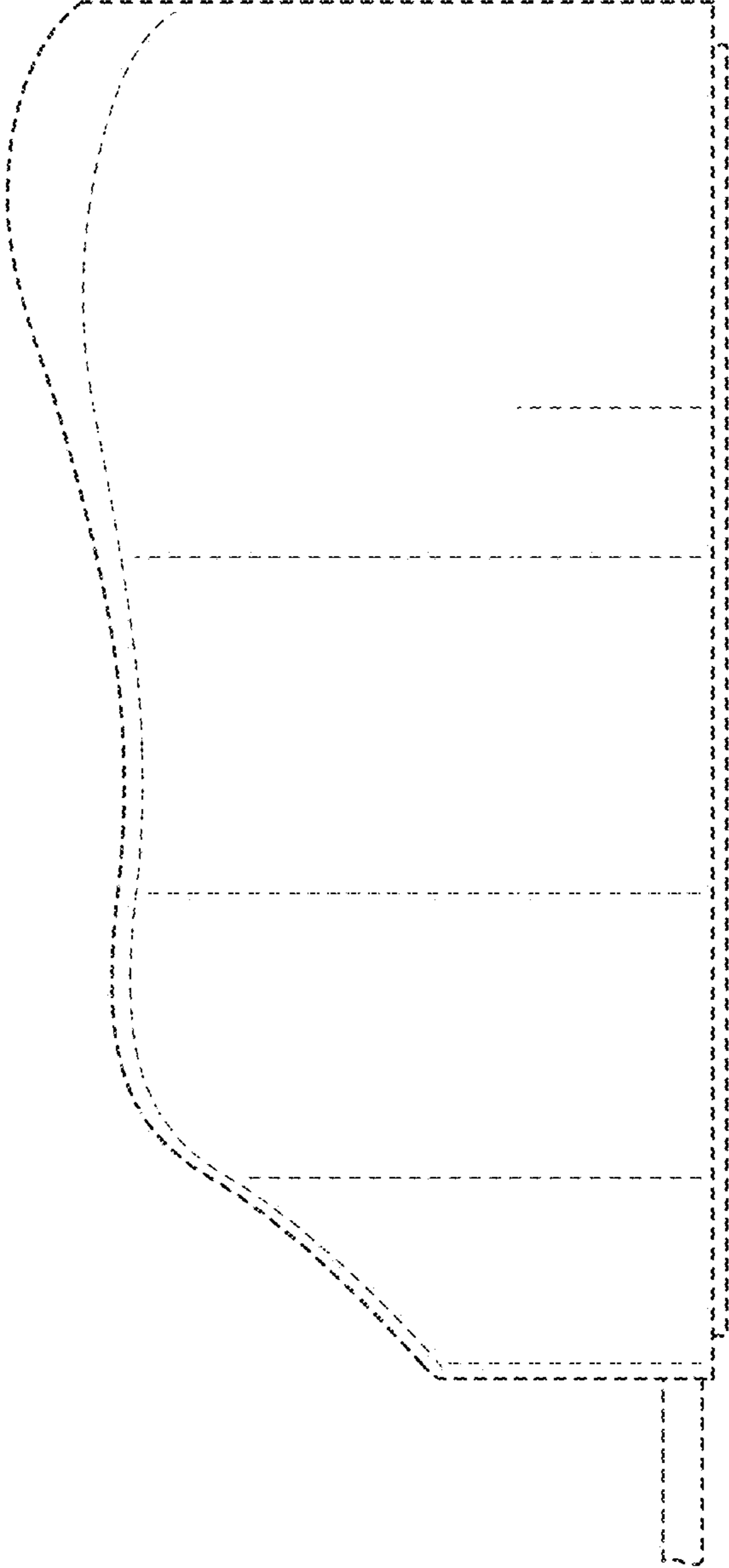


FIG. 4

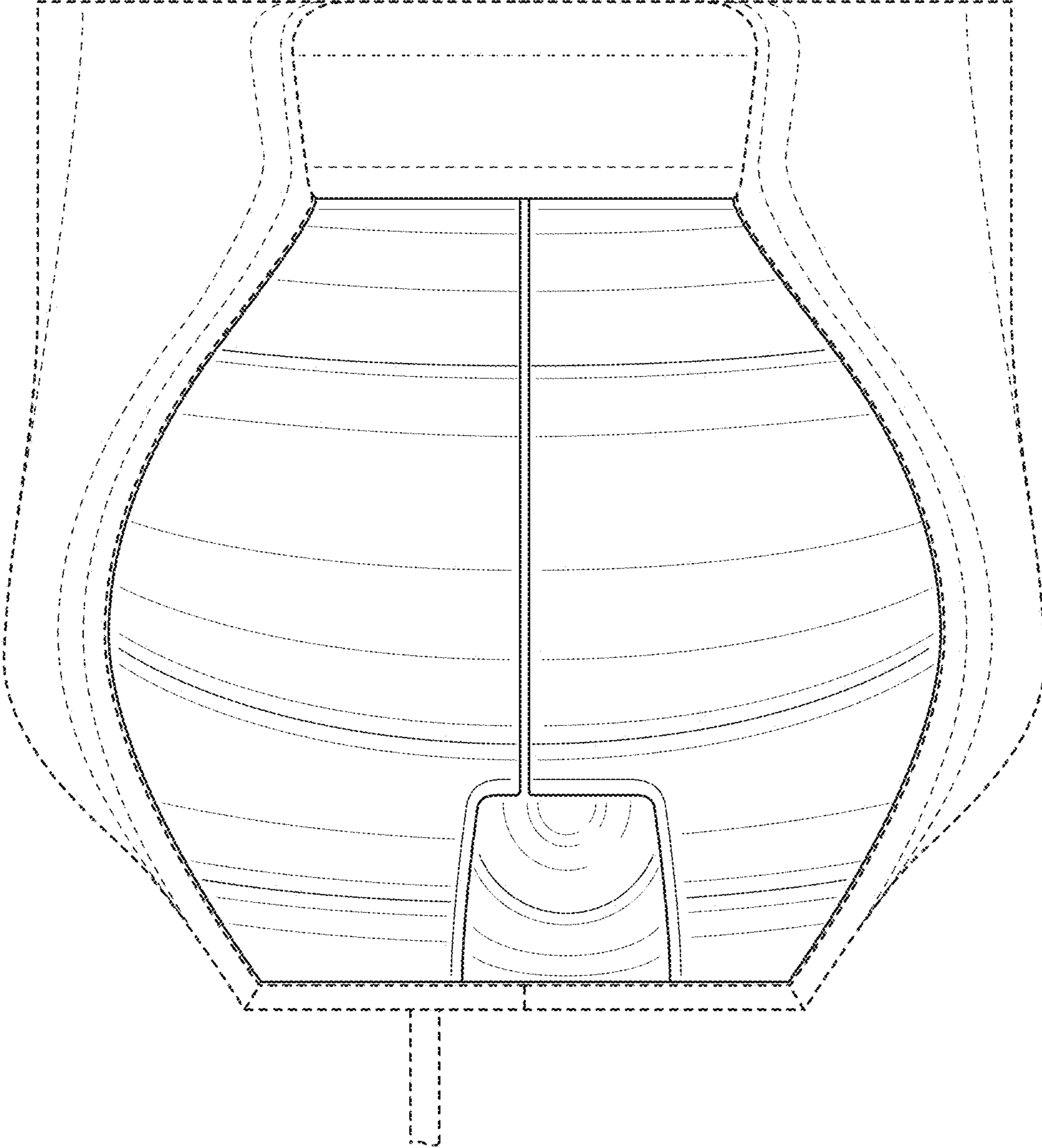


FIG. 5

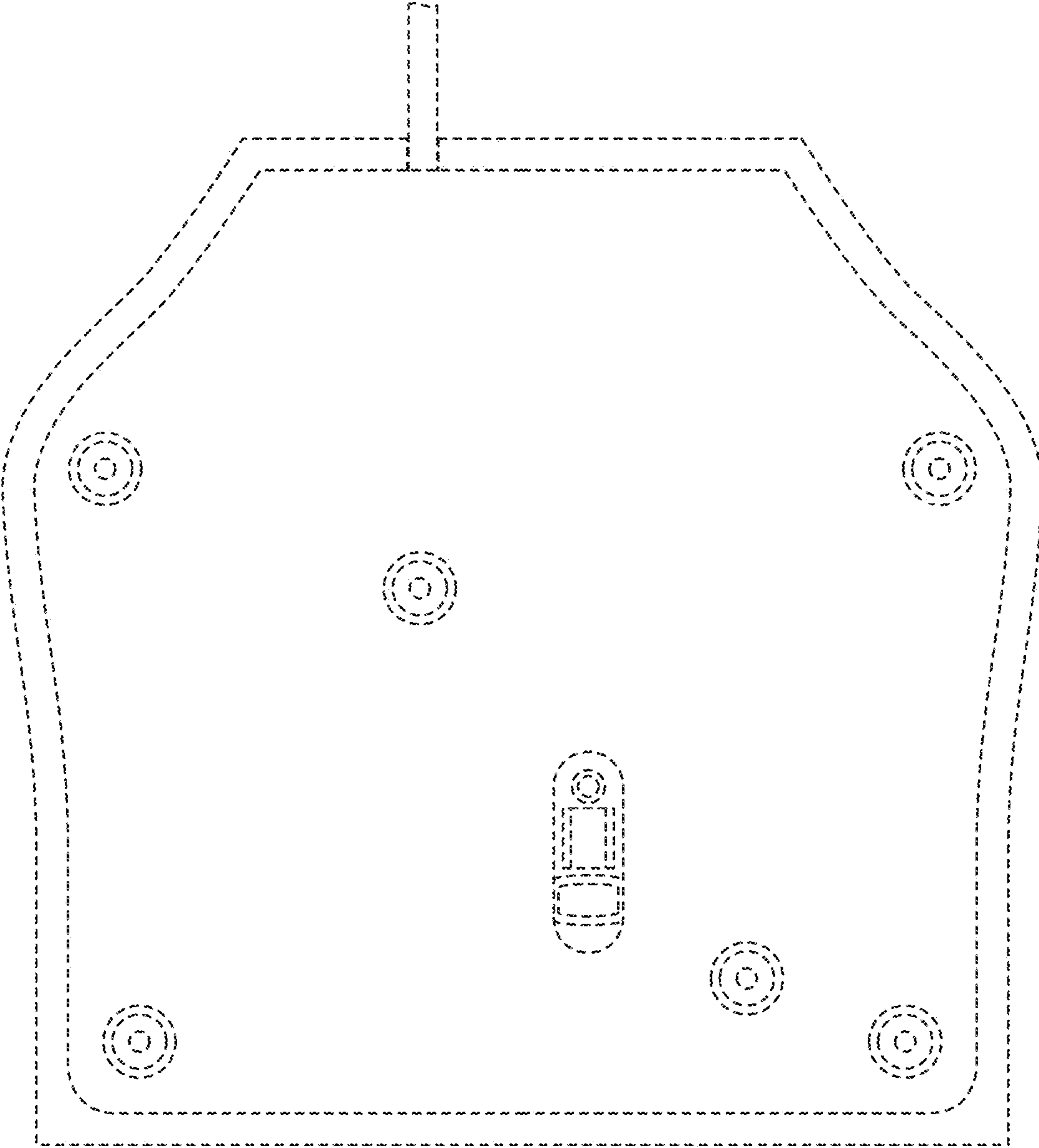


FIG. 6