



US00D894898S

(12) **United States Design Patent**
Nakhare et al.

(10) **Patent No.:** **US D894,898 S**
(45) **Date of Patent:** **** Sep. 1, 2020**

(54) **CARD READER**

(71) Applicant: **Toast, Inc.**, Boston, MA (US)

(72) Inventors: **Gaurav Nakhare**, Boston, MA (US);
Boon Ping Ng, Andover, MA (US)

(73) Assignee: **TOAST, INC.**, Boston, MA (US)

(**) Term: **15 Years**

(21) Appl. No.: **29/685,049**

(22) Filed: **Mar. 26, 2019**

(51) **LOC (12) Cl.** **14-02**

(52) **U.S. Cl.**
USPC **D14/385; D18/4.6**

(58) **Field of Classification Search**

USPC D18/4.4, 4.5, 4.6, 2, 11, 50, 14, 19-21,
D18/54, 54.1, 99; D10/46, 61, 62, 70,
(Continued)

(56) **References Cited**

U.S. PATENT DOCUMENTS

5,053,199 A 10/1991 Keiser et al.
5,196,680 A 3/1993 Schuder

(Continued)

OTHER PUBLICATIONS

Card Readers. (Design—© Questel) orbit.com. [online PDF] 23 pgs. Print Dates Range from Jun. 17, 2015 through Nov. 5, 2019. [retrieved Feb. 18, 2020] <https://www.orbit.com/export/QPTUJ214/pdf2/94d60794-3d6c-49eb-8517-92e5be77c6f5-171752.pdf>.*

Primary Examiner — Marie D. Fast Horse

(74) *Attorney, Agent, or Firm* — Richard K. Huffman

(57) **CLAIM**

The ornamental design for a card reader, as shown and described.

DESCRIPTION

This application is related to U.S. patent application Ser. No. 16/364,297, filed Mar. 26, 2019, the entire disclosure of which is hereby incorporated herein by reference.

This application is related to U.S. patent application Ser. No. 16/364,314, filed Mar. 26, 2019, the entire disclosure of which is hereby incorporated herein by reference.

This application is related to U.S. patent application Ser. No. 16/364,327, filed Mar. 26, 2019, the entire disclosure of which is hereby incorporated herein by reference.

FIG. 1 is a perspective view of a card reader showing our new design in a first orientation;

FIG. 2 is another perspective view thereof;

FIG. 3 is a top plan view thereof;

FIG. 4 is a bottom plan view thereof;

FIG. 5 is front elevational view thereof;

FIG. 6 is a rear elevational view thereof;

FIG. 7 is a left side elevational view thereof;

FIG. 8 is a right side elevational view thereof;

FIG. 9 is a view similar to FIG. 1 but with additional broken lines;

FIG. 10 is a view similar to FIG. 1 but with additional broken lines;

FIG. 11 is a perspective view of the card reader showing our new design in a second orientation;

FIG. 12 is another perspective view thereof;

FIG. 13 is a top plan view thereof;

FIG. 14 is a bottom plan view thereof;

FIG. 15 is front elevational view thereof;

FIG. 16 is a rear elevational view thereof;

FIG. 17 is a left side elevational view thereof;

FIG. 18 is a right side elevational view thereof;

FIG. 19 is a view similar to FIG. 11 but with additional broken lines;

FIG. 20 is a view similar to FIG. 11 but with additional broken lines;

FIG. 21 is a perspective view of the card reader showing our new design in a third orientation;

FIG. 22 is another perspective view thereof;

FIG. 23 is a top plan view thereof;

FIG. 24 is a bottom plan view thereof;

FIG. 25 is front elevational view thereof;

FIG. 26 is a rear elevational view thereof;

FIG. 27 is a left side elevational view thereof;

FIG. 28 is a right side elevational view thereof;

FIG. 29 is a view similar to FIG. 21 but with additional broken lines;

(Continued)

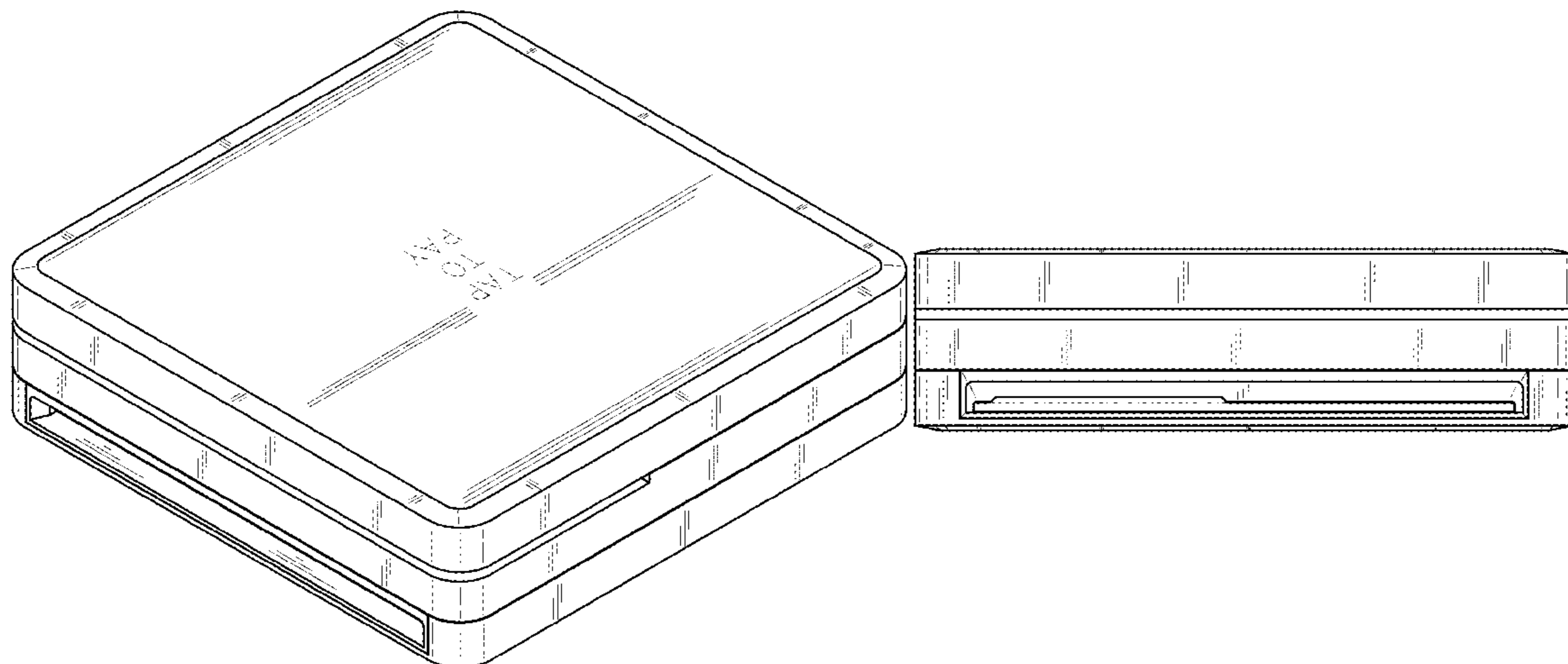


FIG. 30 is a view similar to FIG. 21 but with additional broken lines;
 FIG. 31 is a perspective view of the card reader showing our new design in a fourth orientation;
 FIG. 32 is another perspective view thereof;
 FIG. 33 is a top plan view thereof;
 FIG. 34 is a bottom plan view thereof;
 FIG. 35 is front elevational view thereof;
 FIG. 36 is a rear elevational view thereof;
 FIG. 37 is a left side elevational view thereof;
 FIG. 38 is a right side elevational view thereof;
 FIG. 39 is a view similar to FIG. 31 but with additional broken lines; and,
 FIG. 40 is a view similar to FIG. 31 but with additional broken lines.
 The broken lines in each of FIGS. 1-3, 5, 6, 11-13, 15, 16, 21-23, 25, 26, 31-33, 35, and 36 show portions of the card reader that form no part of the claimed design.
 The broken lines in each of FIGS. 9, 10, 19, 20, 29, 30, 39, and 40 show portions of the card reader that form no part of the claimed design, and also show a card that is environmental structure and forms no part of the claimed design.
 The multiple orientations shown in the drawings are achieved by rotating/swiveling the top two-thirds of the card reader relative to the bottom one-third, in 90° increments.
 The transition between the orientations shown in the drawings forms no part of the claimed design.

1 Claim, 28 Drawing Sheets

(58) **Field of Classification Search**

USPC D10/104.1, 104.2, 106.2, 106.6, 65, 66;
 D20/1, 8, 9; D14/496, 299, 338, 339,
 D14/341, 346, 383, 385, 386, 440, 507,
 D14/137, 138 R, 138 AA, 138 G
 CPC H04W 8/22; H04W 52/0225; H04W
 52/0254; G06Q 20/00; G06Q 20/08;
 G06Q 20/20; G06Q 20/204; G07F
 7/0873; G07F 7/088; G07F 7/0886; G07F
 7/0893; G07F 7/025

See application file for complete search history.

(56)

References Cited

U.S. PATENT DOCUMENTS

5,438,186	A	8/1995	Nair et al.	
6,021,948	A	2/2000	Tsai et al.	
D477,322	S *	7/2003	Chien	D14/385
D604,730	S *	11/2009	Shih	D14/345
D619,140	S *	7/2010	Sin	D14/480.6
7,748,636	B2	7/2010	Finn	
D689,860	S *	9/2013	Chong	D14/368
D700,606	S *	3/2014	Lo	D14/385
D701,860	S *	4/2014	Daniel	D14/307
D706,266	S *	6/2014	Rotsaert	D14/385
D707,677	S *	6/2014	Azuma	D14/385
D728,675	S *	5/2015	Daniel	D18/4.6
D736,208	S *	8/2015	Gustafsson	D14/385
D740,285	S *	10/2015	Templeton	D14/385
D740,286	S *	10/2015	Templeton	D14/385
D740,819	S *	10/2015	Weber	D14/385
D740,820	S *	10/2015	Templeton	D14/385
D755,179	S *	5/2016	Wong	D14/384
9,355,285	B1	5/2016	Wade et al.	
D766,238	S *	9/2016	Nguyen	D14/385
D766,901	S *	9/2016	Nguyen	D14/385
D776,658	S *	1/2017	Zhu	D14/385
9,576,159	B1	2/2017	Templeton et al.	
D795,869	S *	8/2017	Templeton	D14/385
D797,739	S *	9/2017	Templeton	D14/385
D797,740	S *	9/2017	Nguyen	D14/385
9,760,740	B1	9/2017	Edwards	
D818,809	S *	5/2018	Hetrick	D8/394
10,007,813	B2	6/2018	Babu et al.	
D842,819	S *	3/2019	Maetani	D13/168
10,242,357	B1	3/2019	Dorogusker et al.	
D871,407	S *	12/2019	Isaacs	D14/385
D878,367	S *	3/2020	Rotsaert	D14/385
10,579,836	B1	3/2020	Edwards	
2005/0035201	A1	2/2005	Tsai et al.	
2006/0192018	A1	8/2006	Tsai et al.	
2012/0118959	A1	5/2012	Sather et al.	
2013/0278122	A1	10/2013	Edwards et al.	
2014/0001263	A1	1/2014	Babu et al.	
2014/0001264	A1	1/2014	Babu et al.	
2016/0026831	A1	1/2016	Babu et al.	
2017/0076269	A1	3/2017	Saeed et al.	
2017/0308889	A1	10/2017	Cameron et al.	
2017/0364888	A1	12/2017	Bell et al.	
2018/0005226	A1	1/2018	Terra et al.	
2019/0114612	A1	4/2019	Gerlach et al.	
2019/0197814	A1	6/2019	Senguttuvan et al.	

* cited by examiner

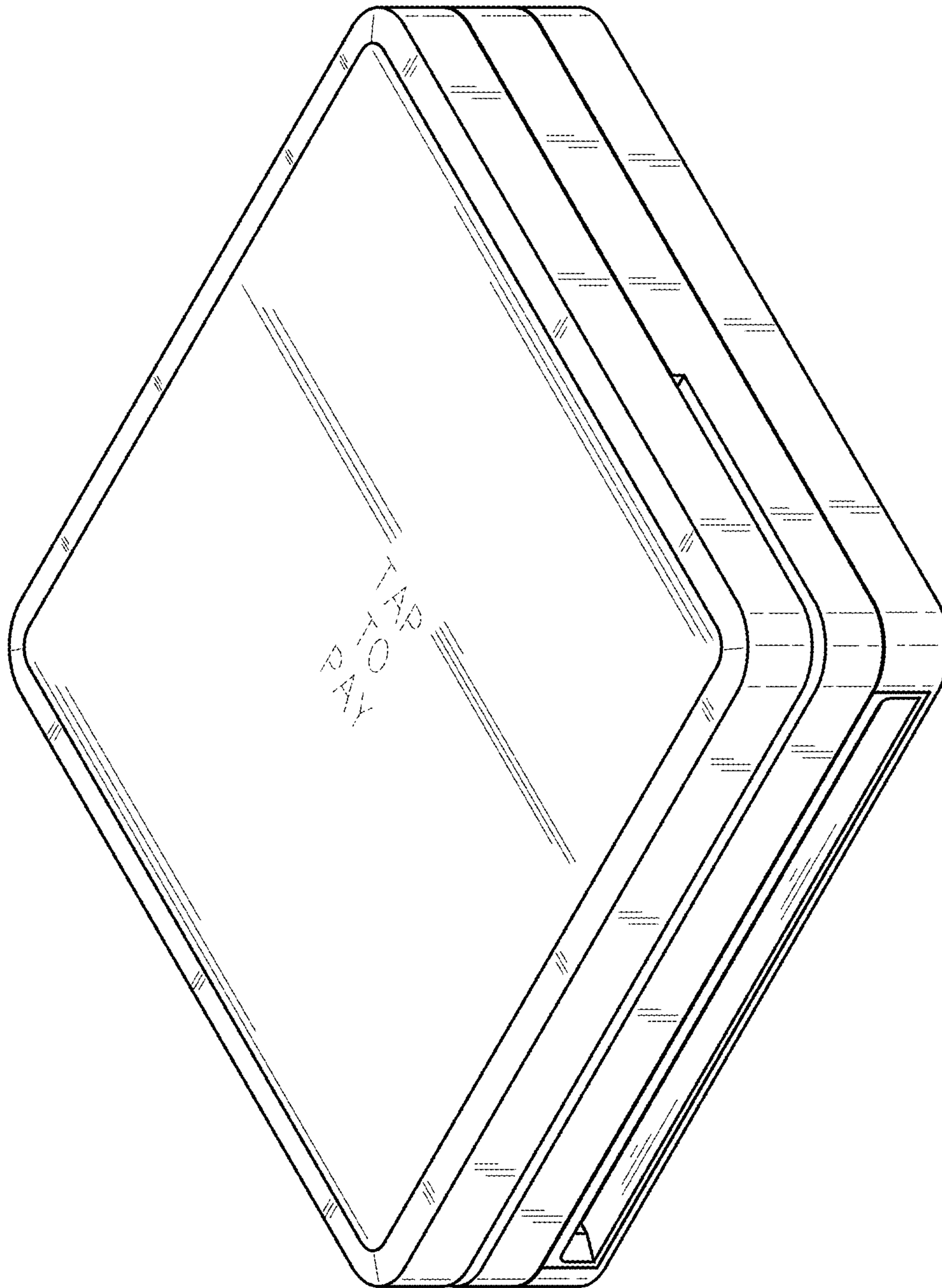


FIG.1

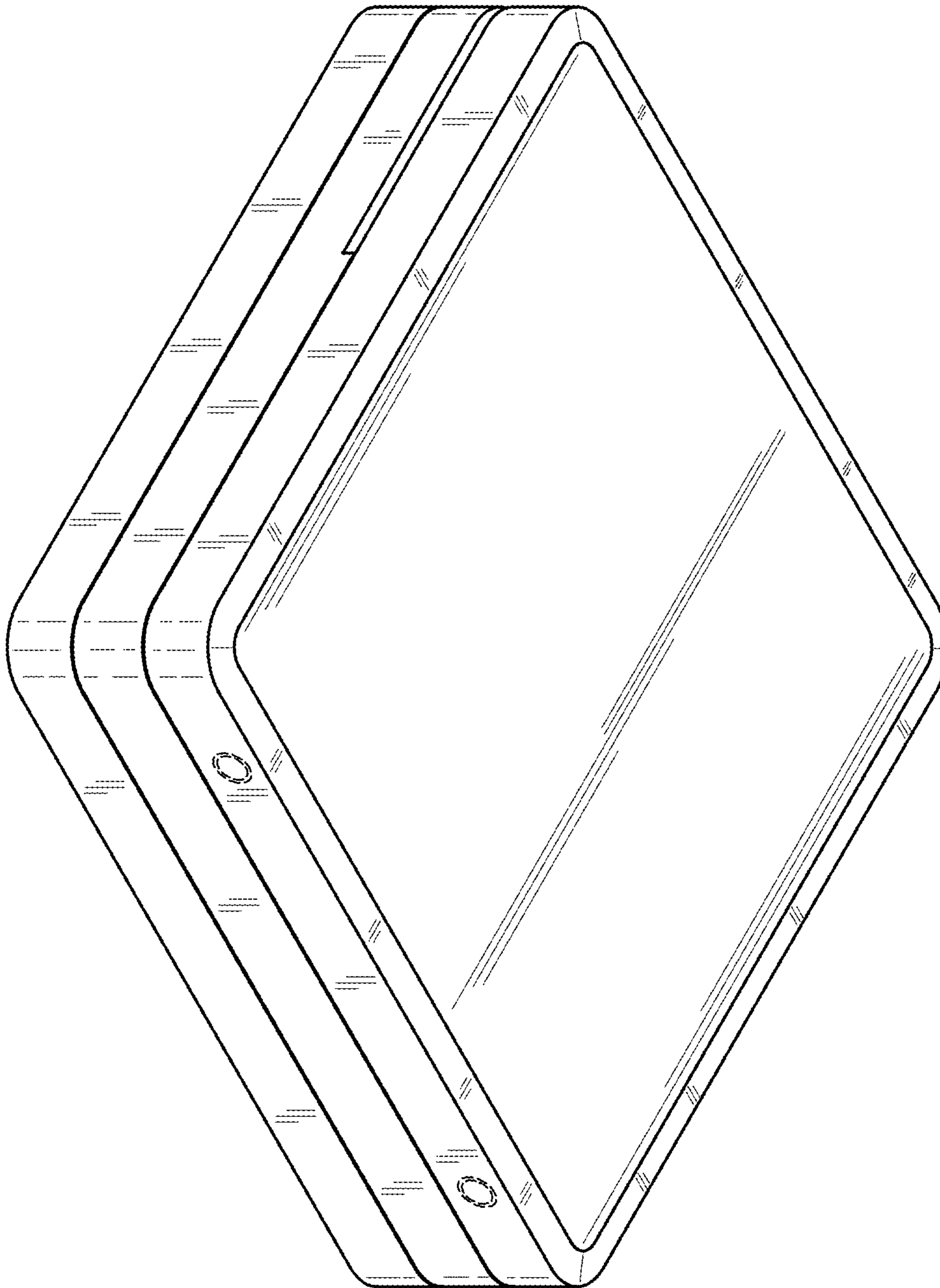


FIG.2

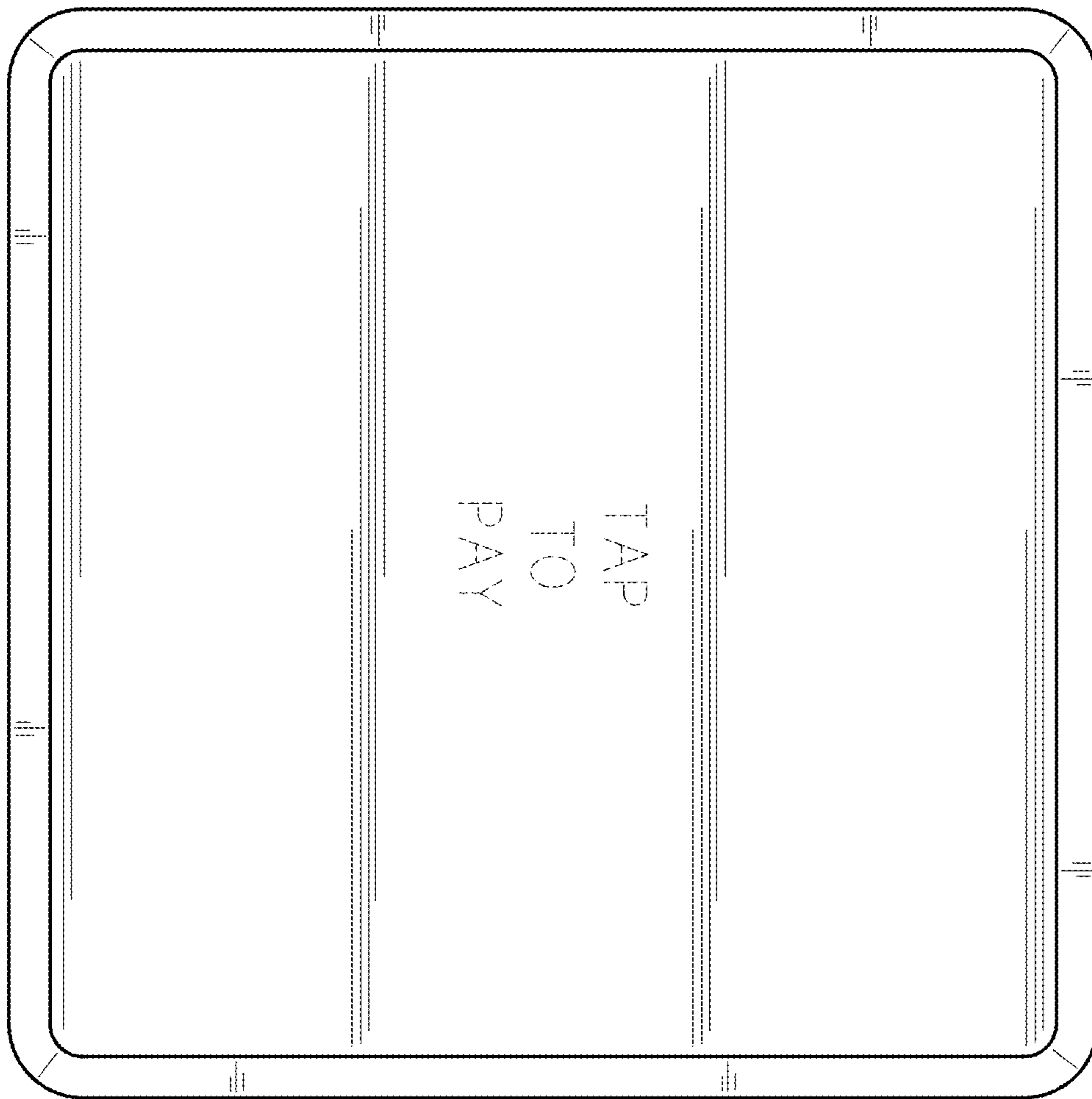


FIG.3

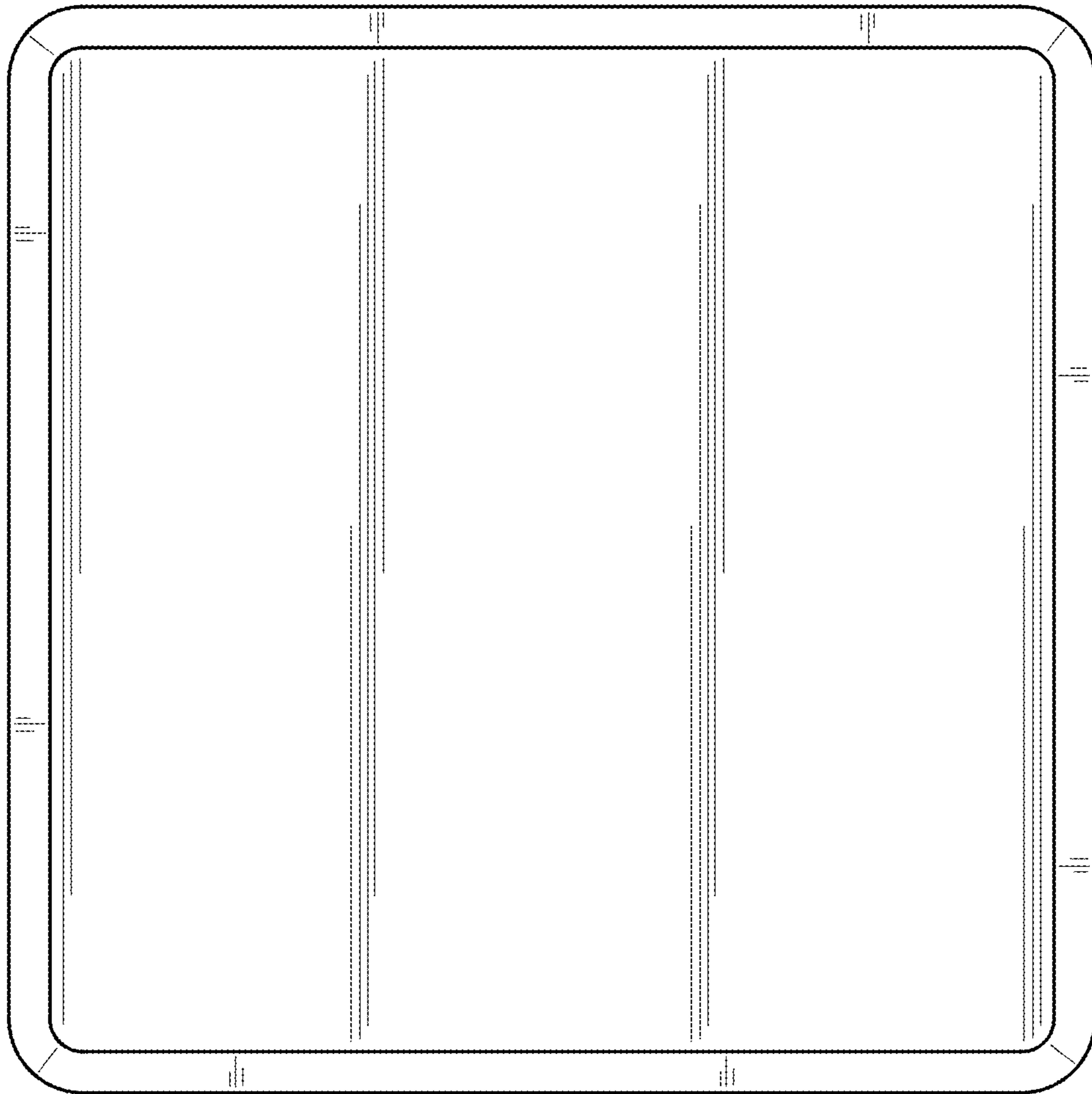


FIG.4

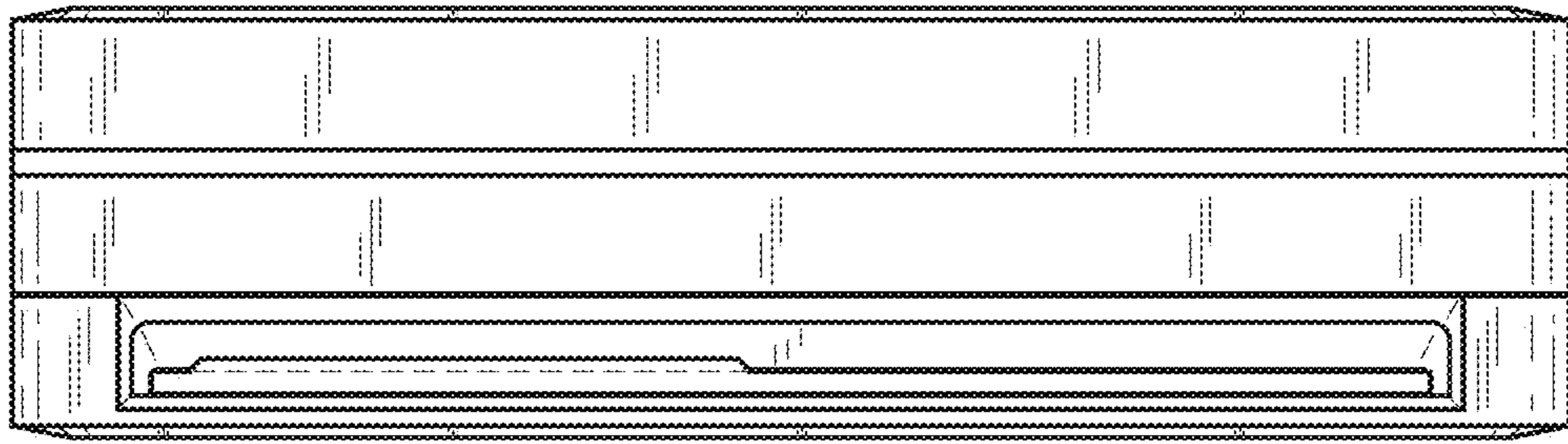


FIG. 5

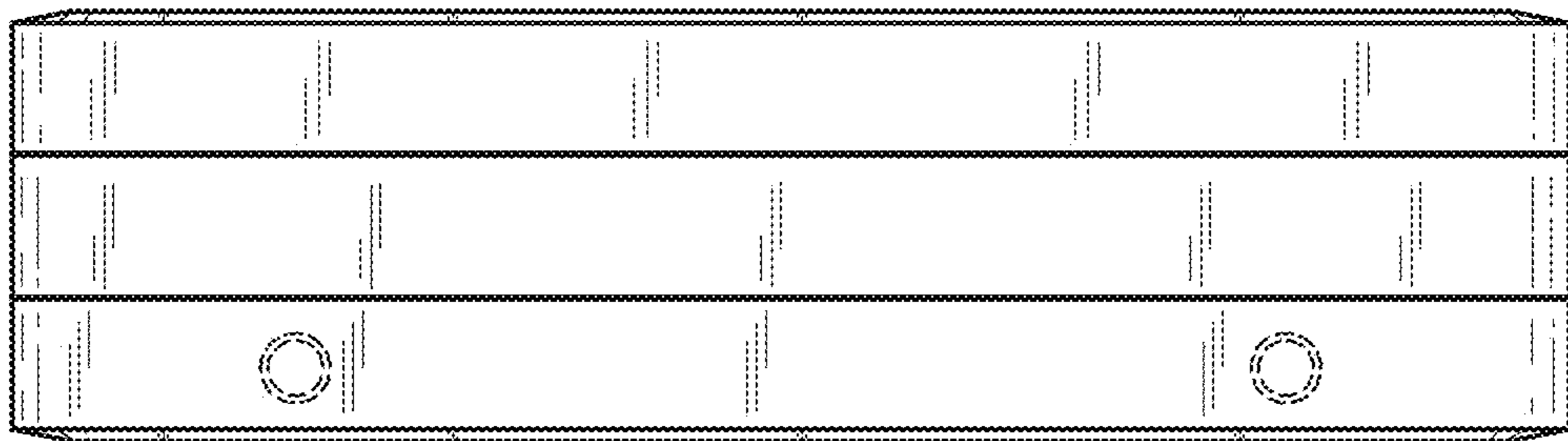


FIG. 6

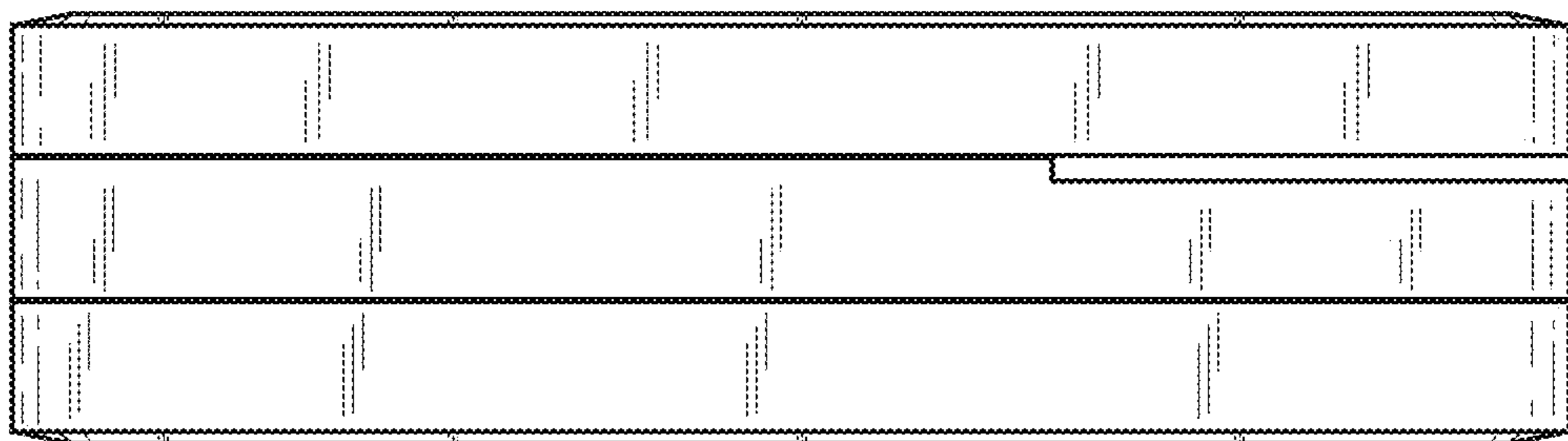


FIG. 7

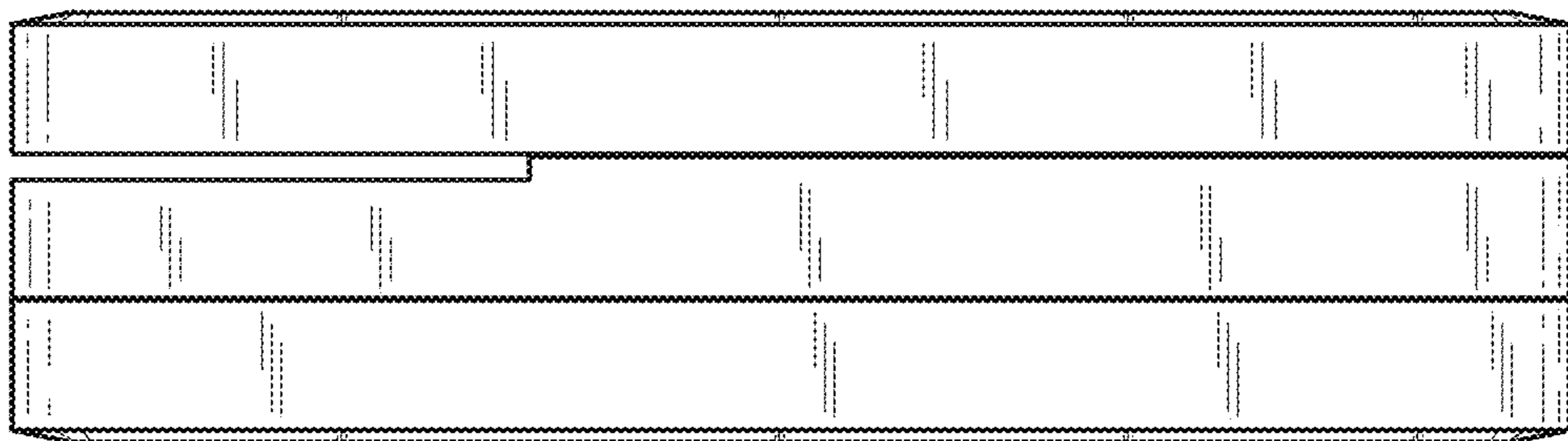
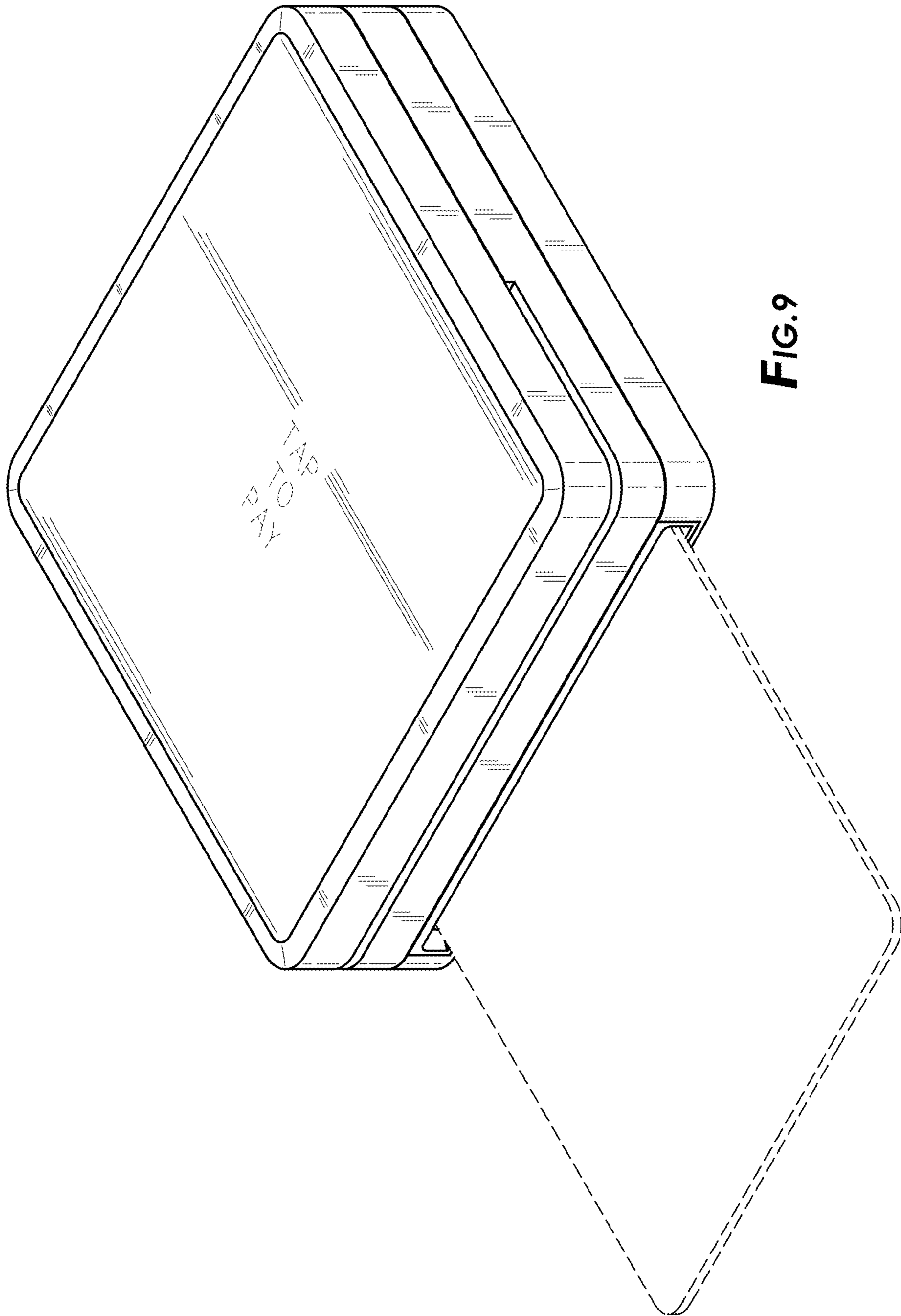


FIG. 8



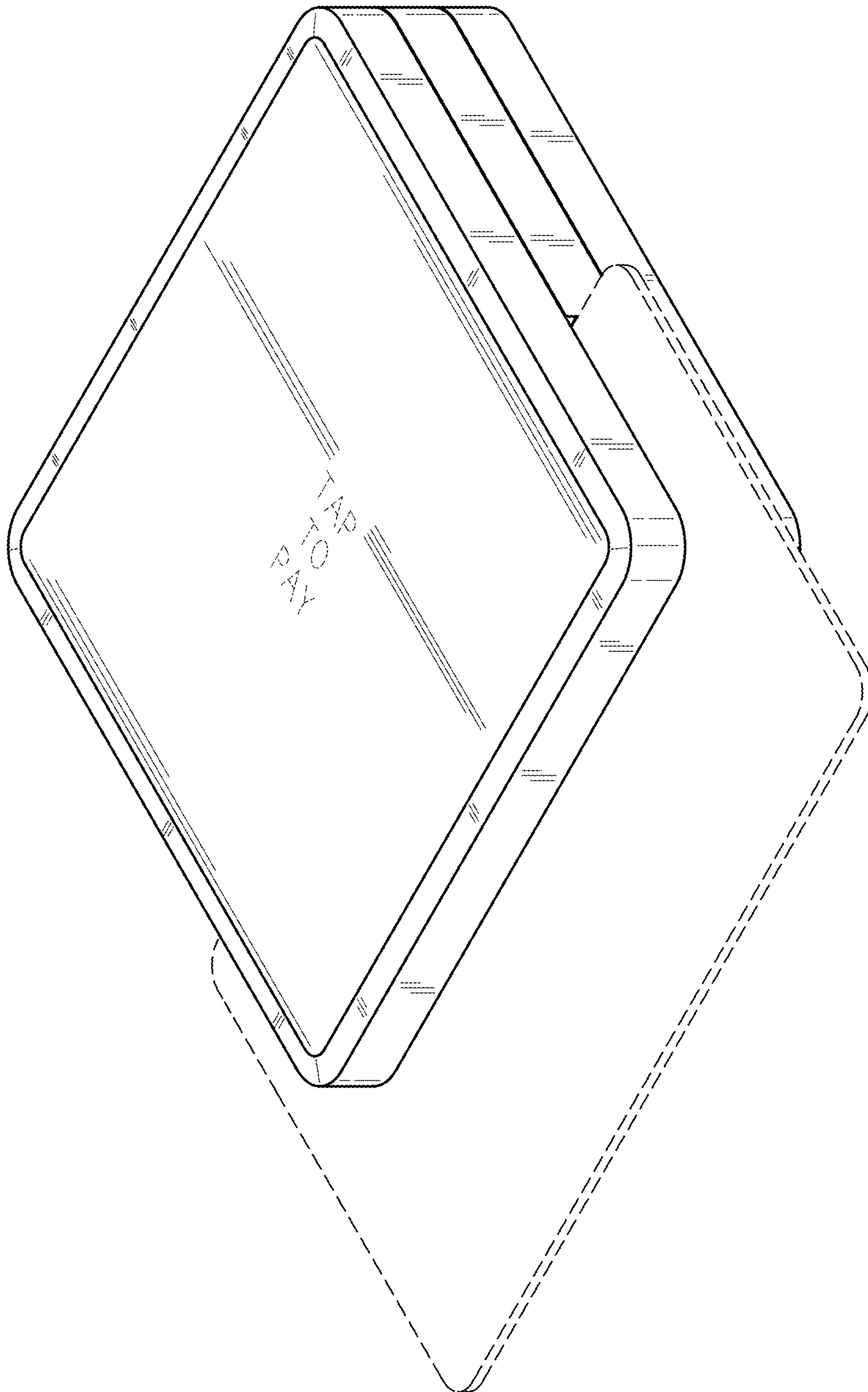


FIG.10

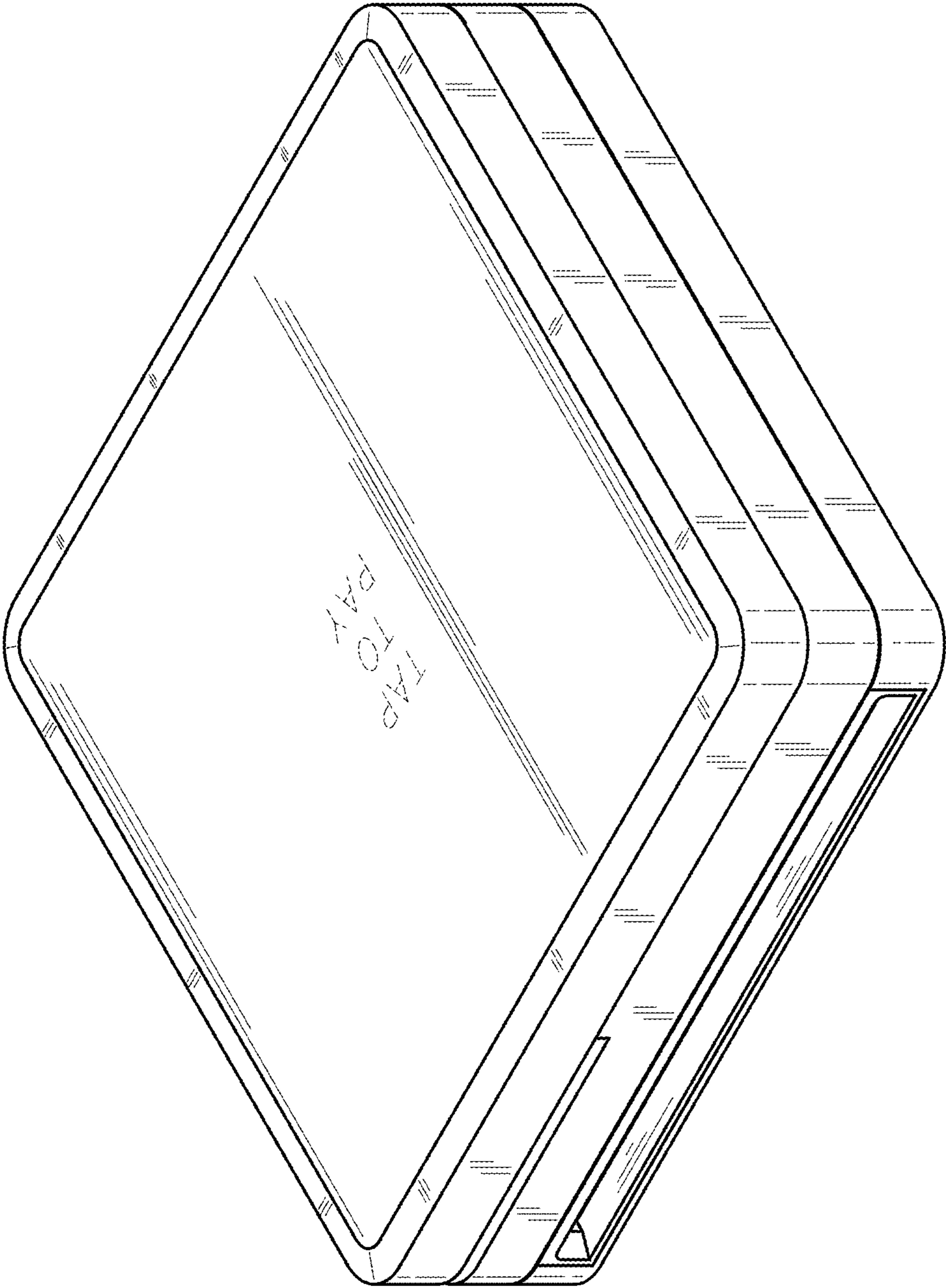


FIG.11

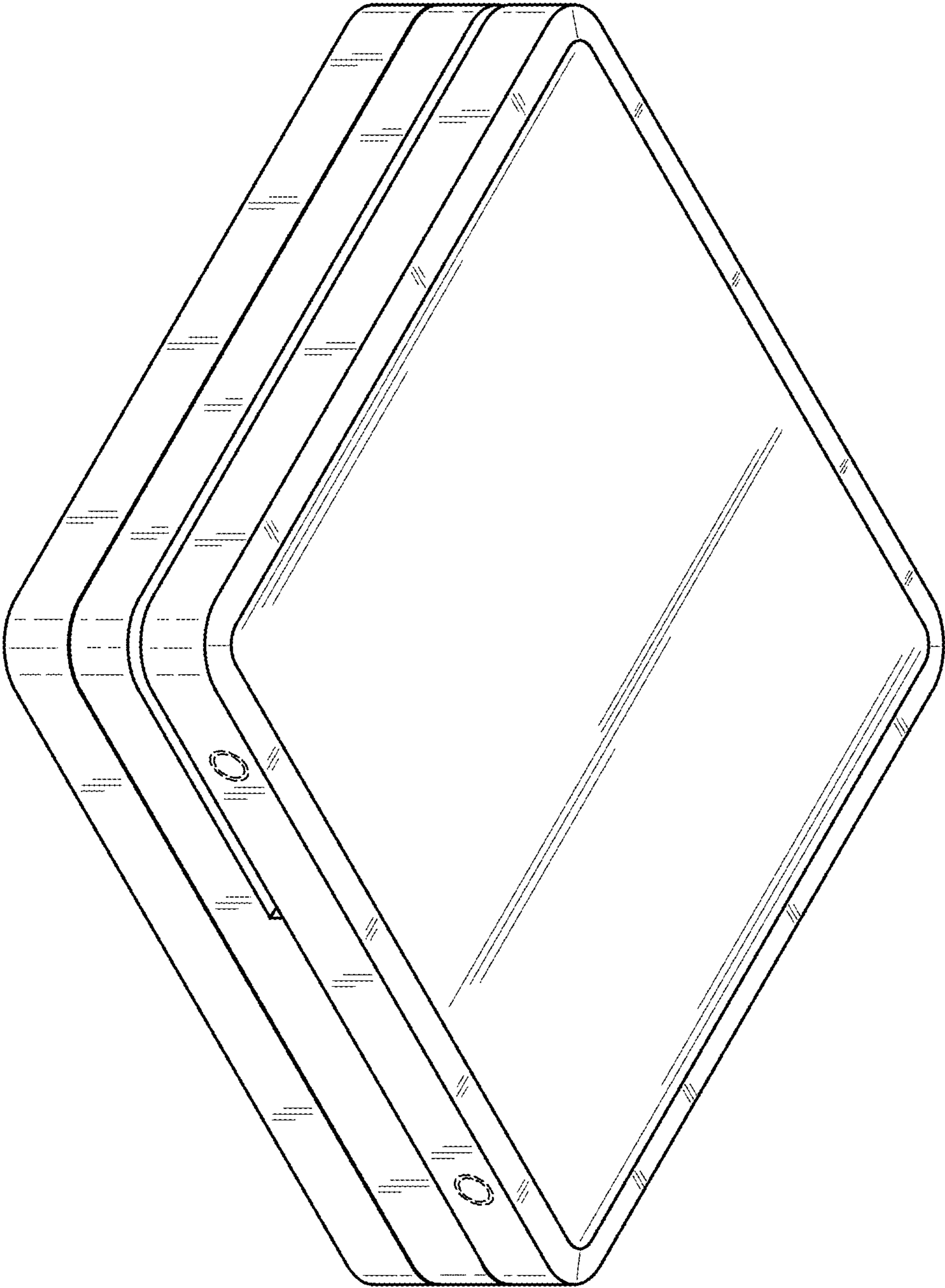


FIG.12

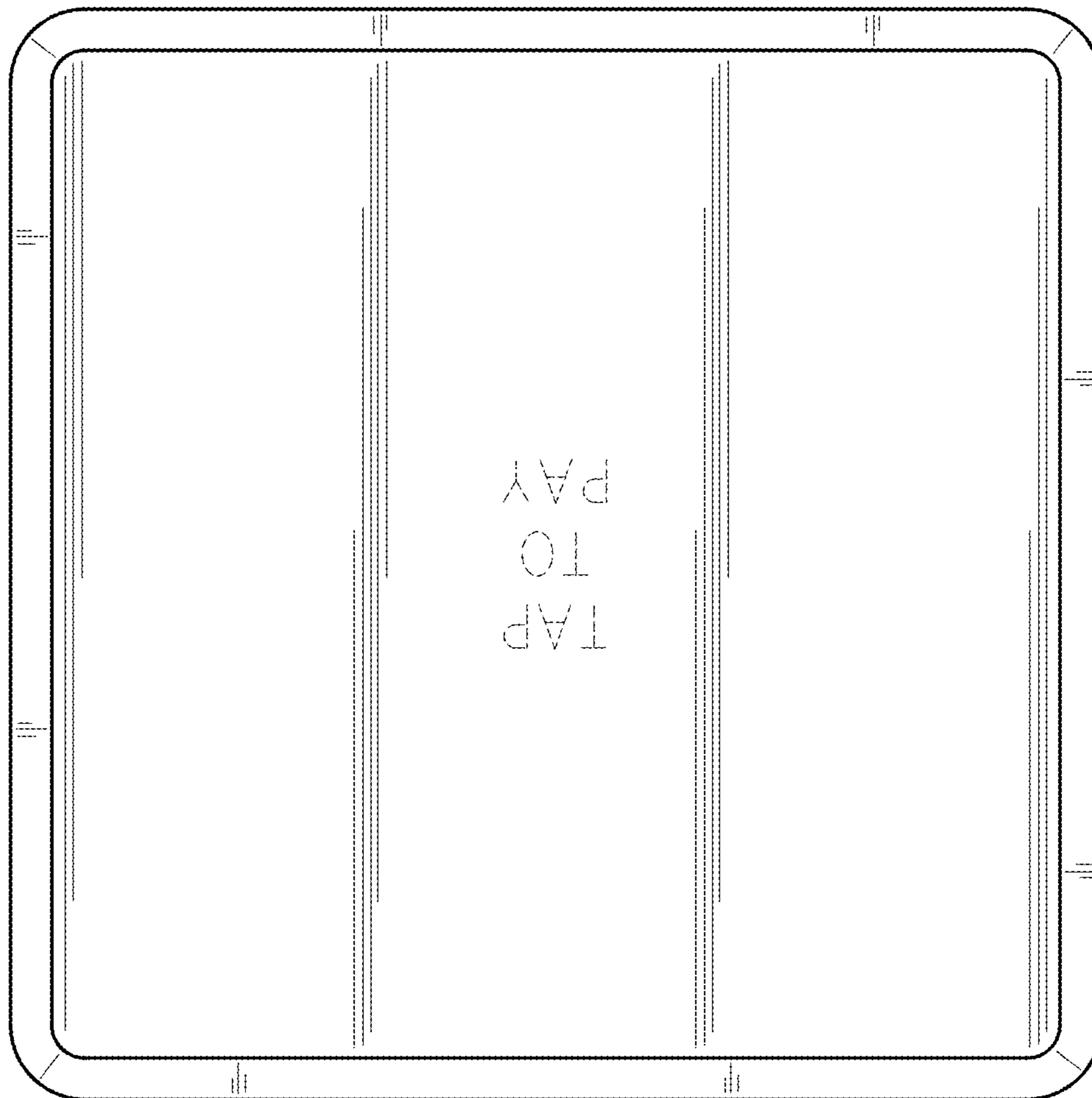


FIG. 13

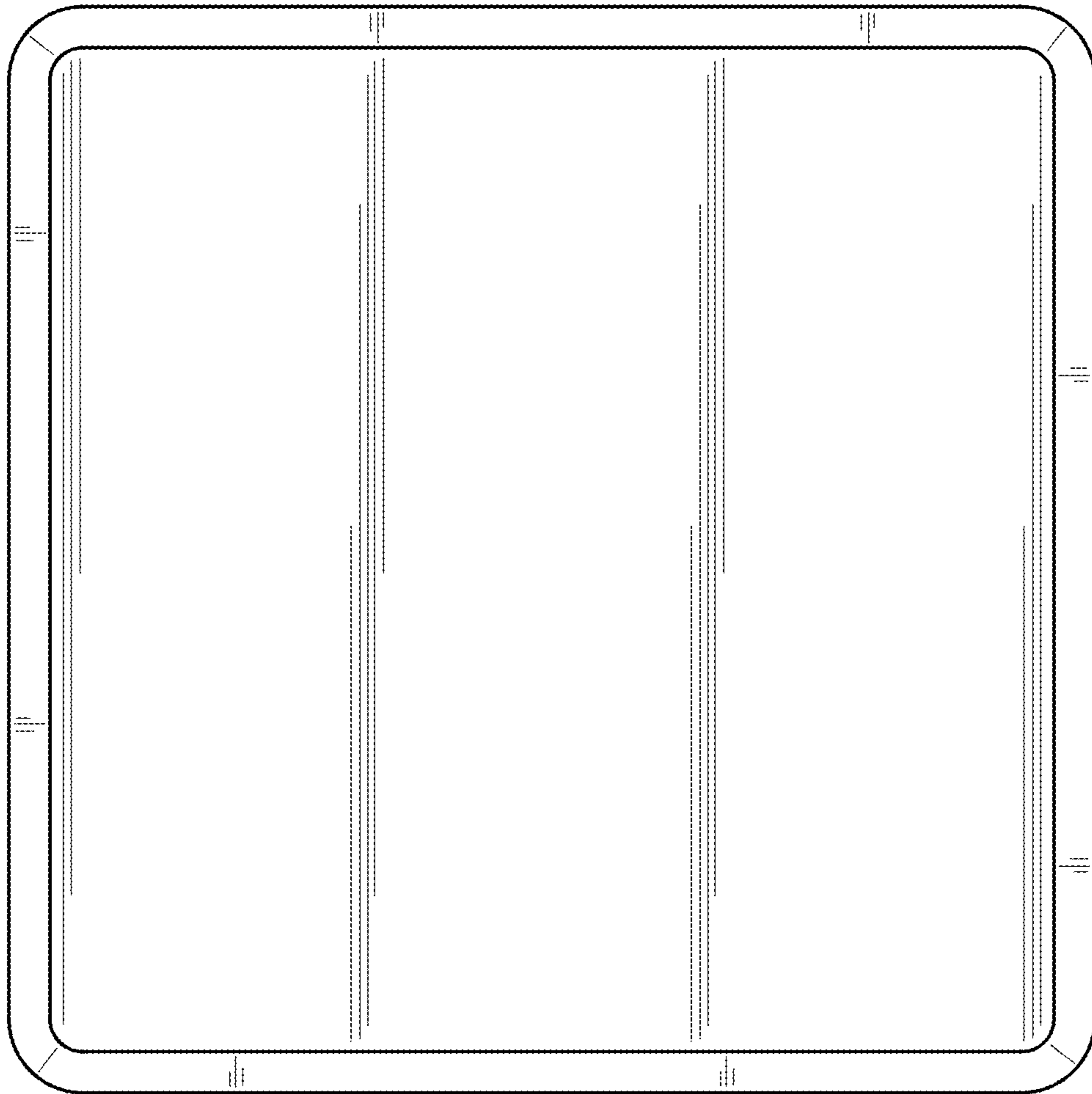


FIG. 14

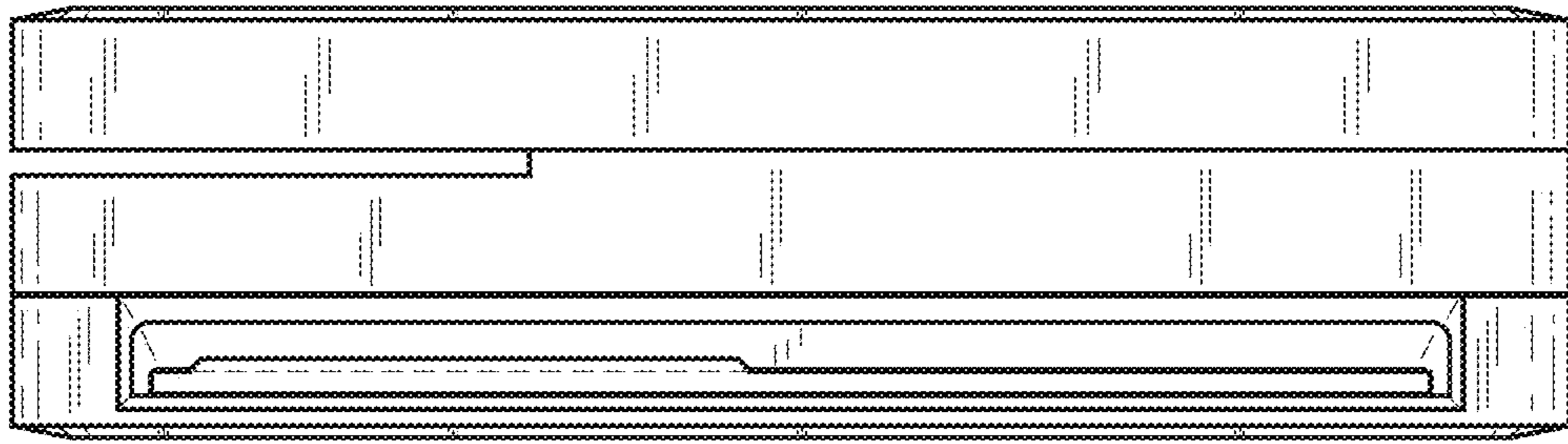


FIG.15

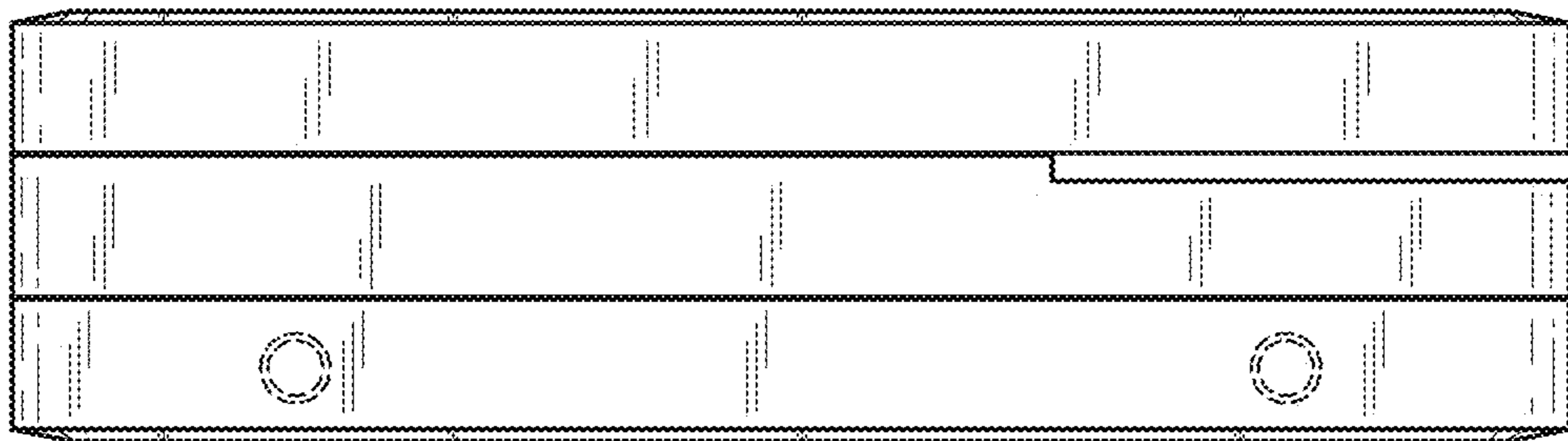


FIG.16

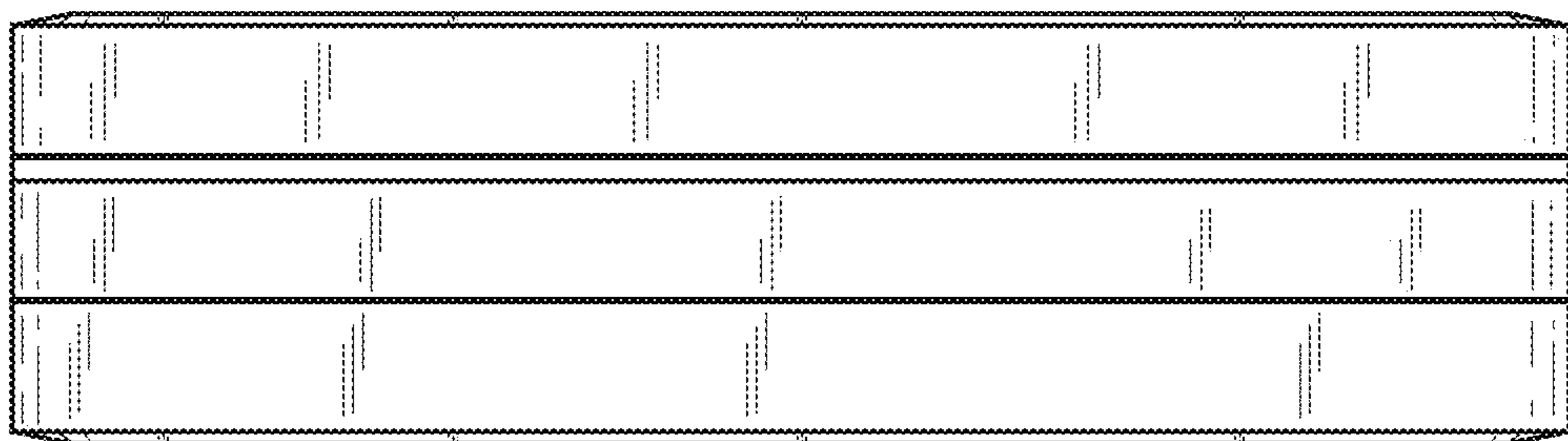


FIG.17

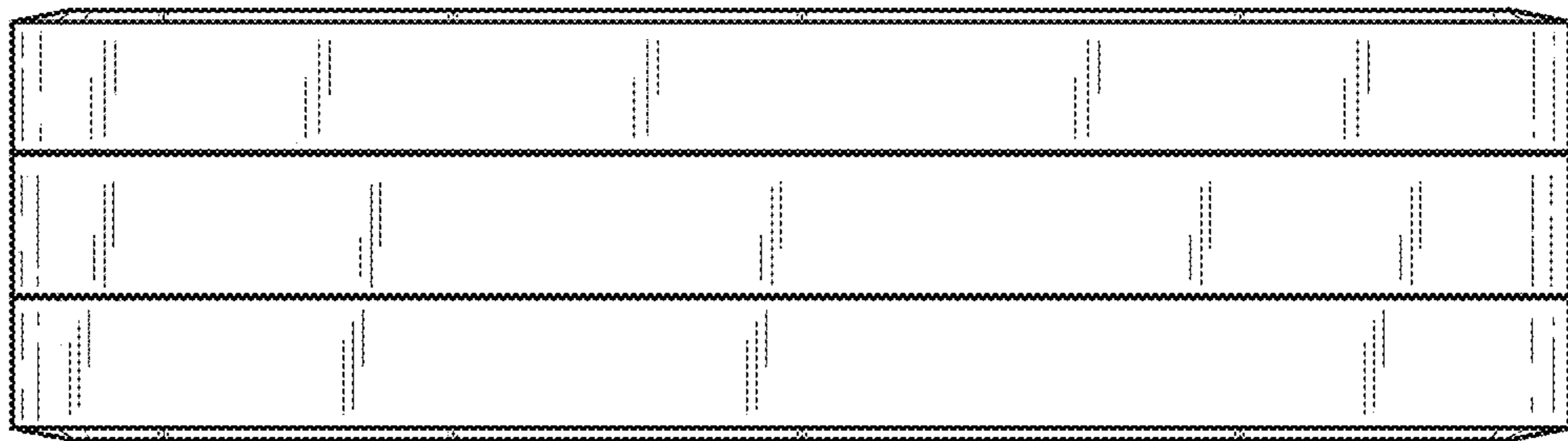


FIG.18

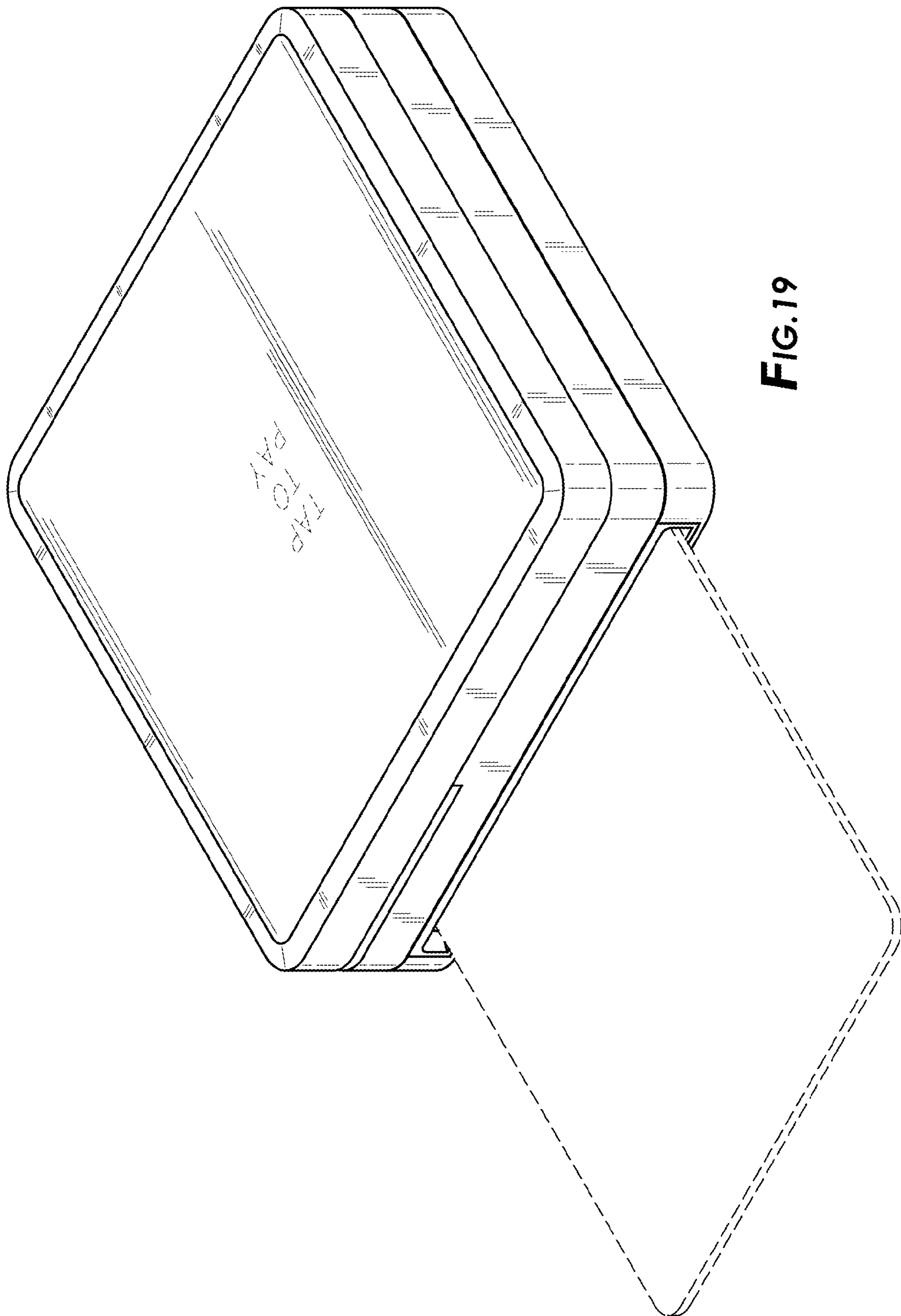


FIG.19

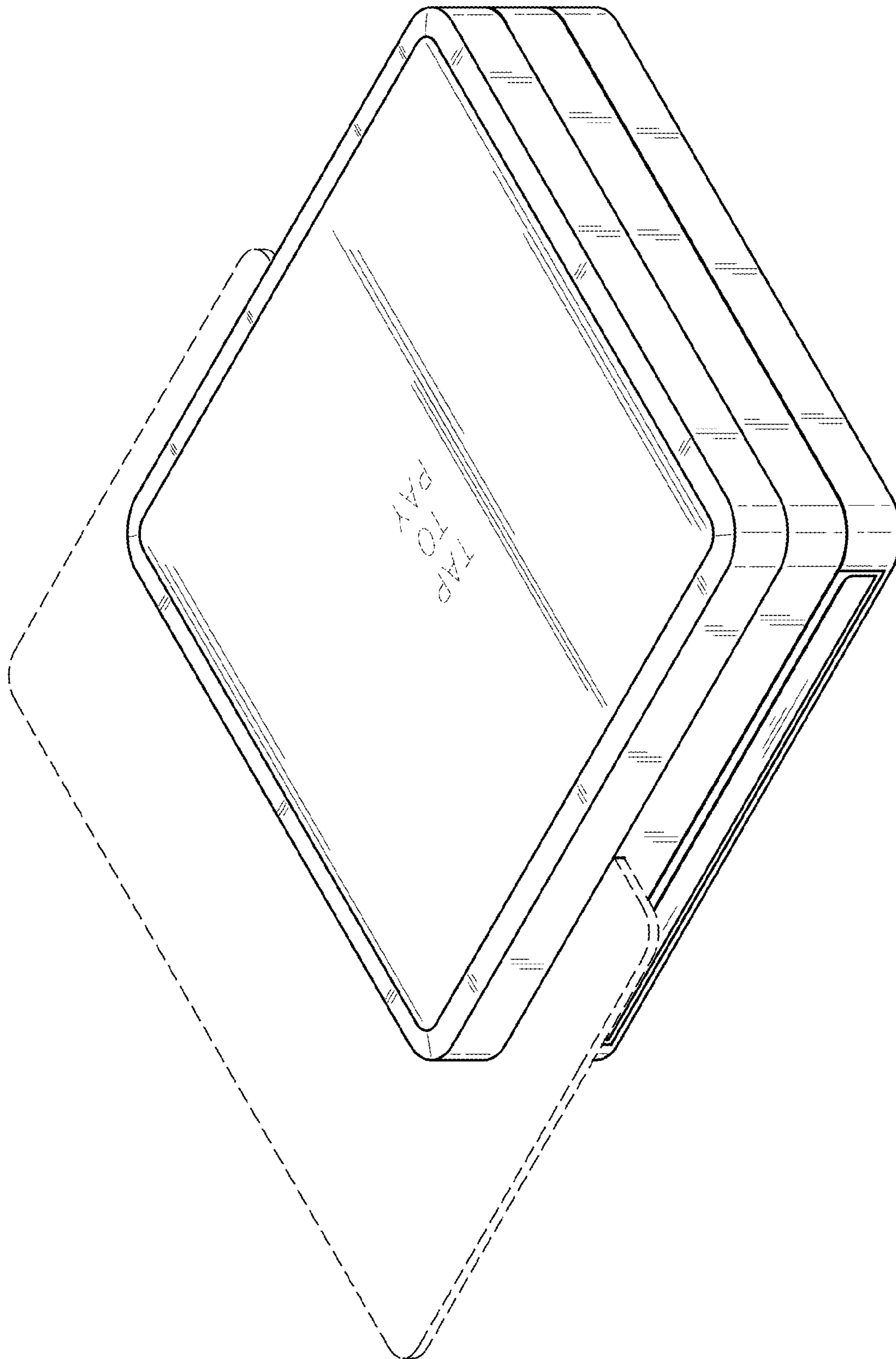


FIG.20

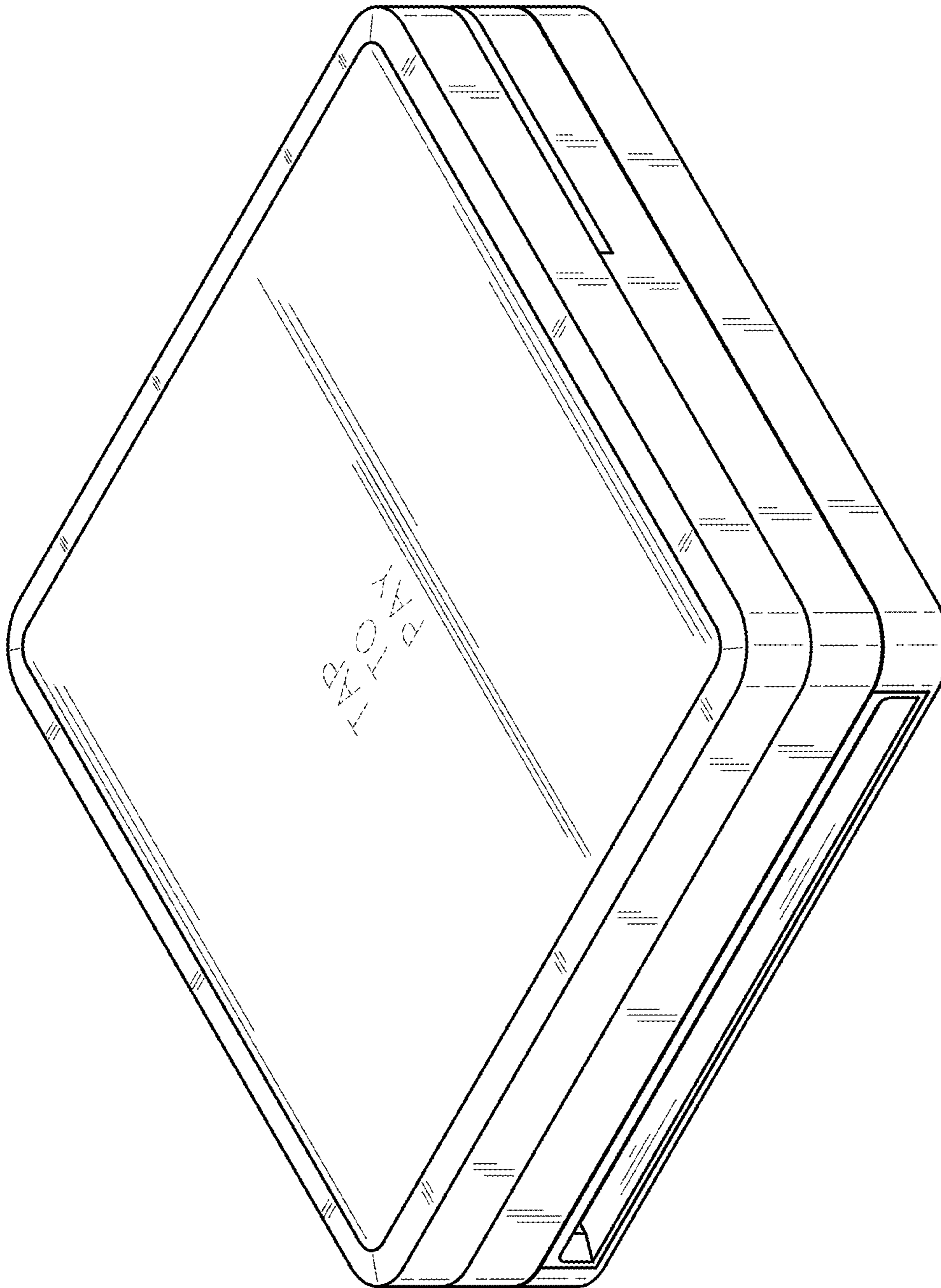


FIG.21

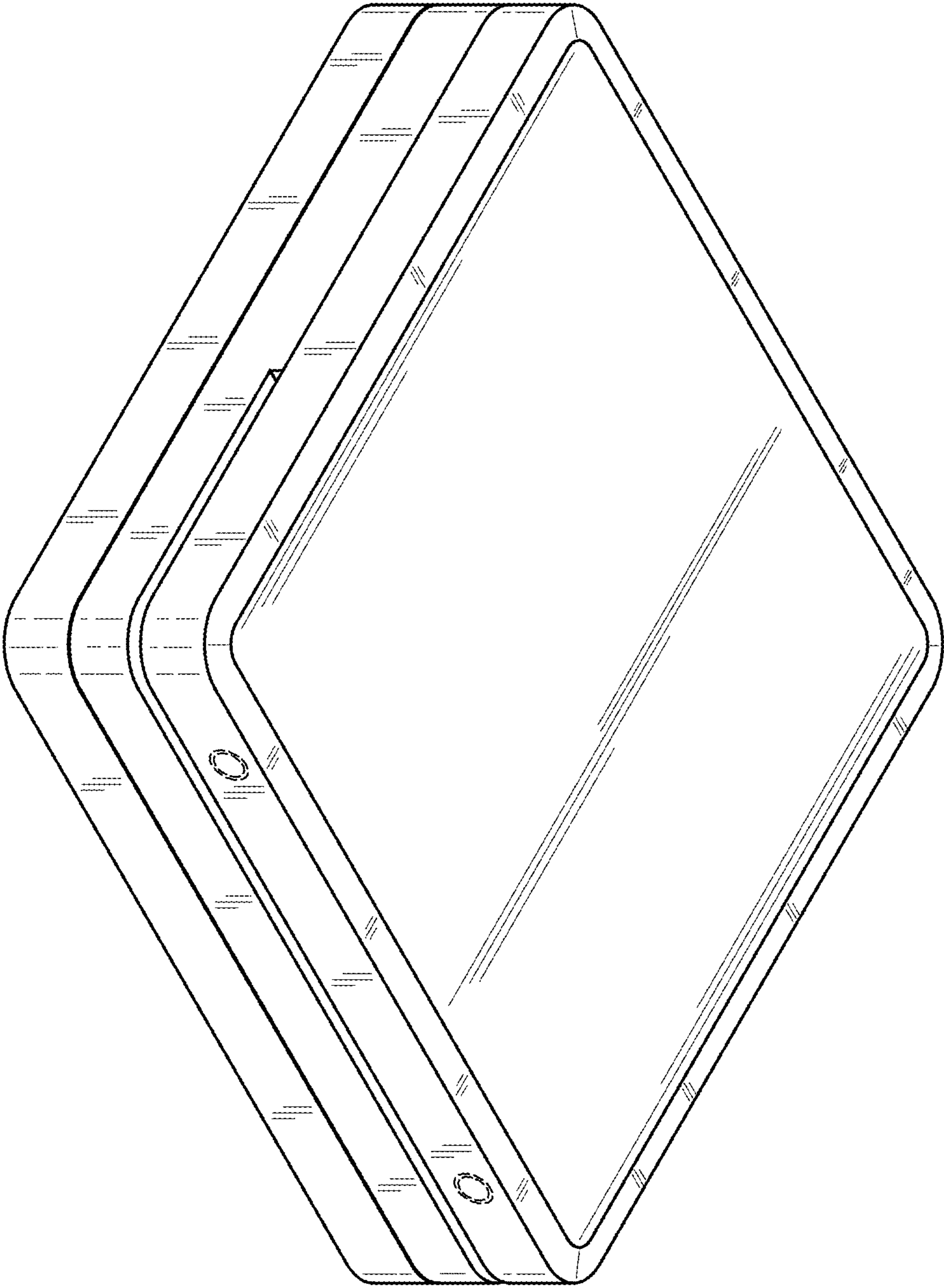


FIG.22

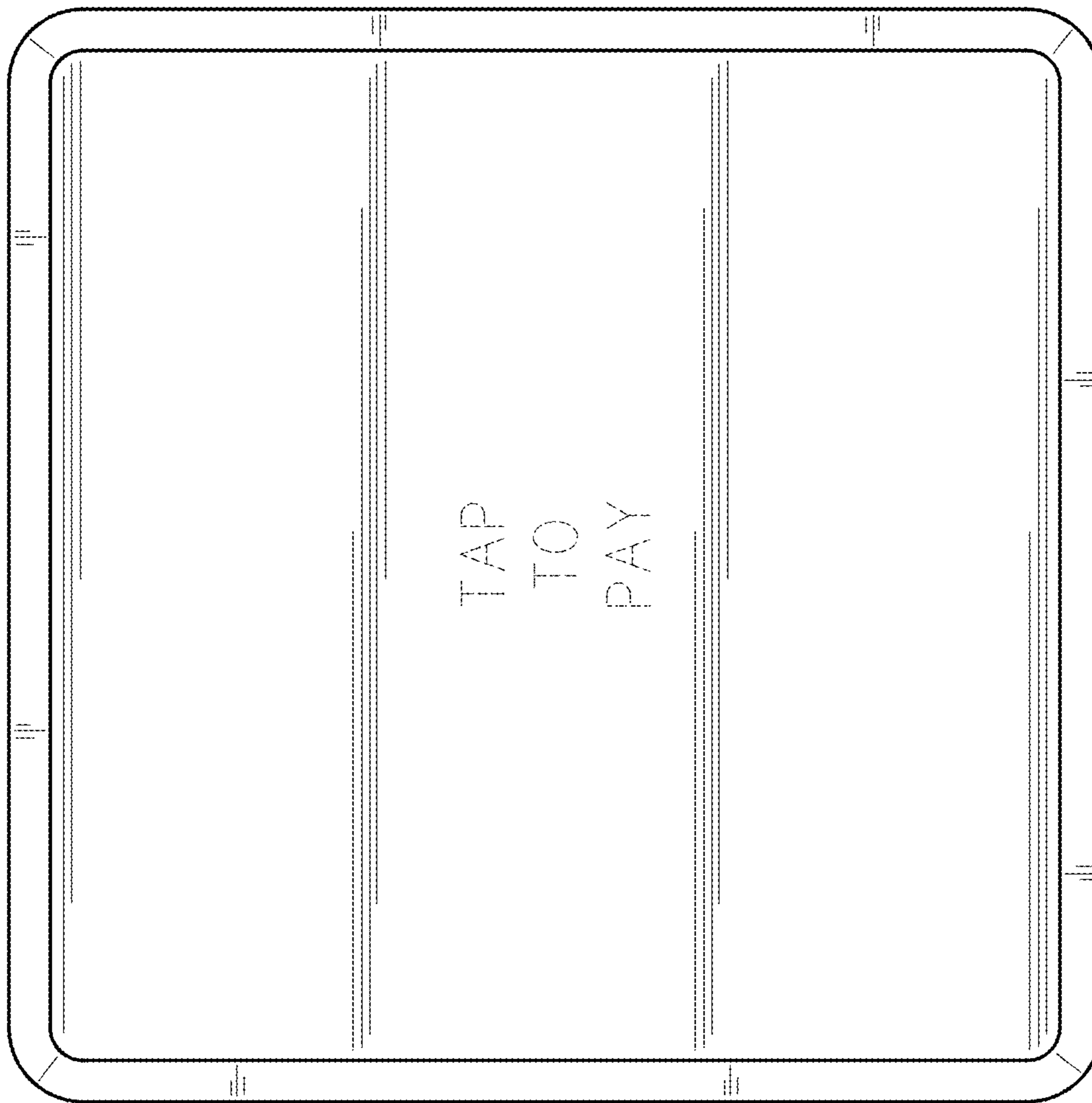


FIG.23

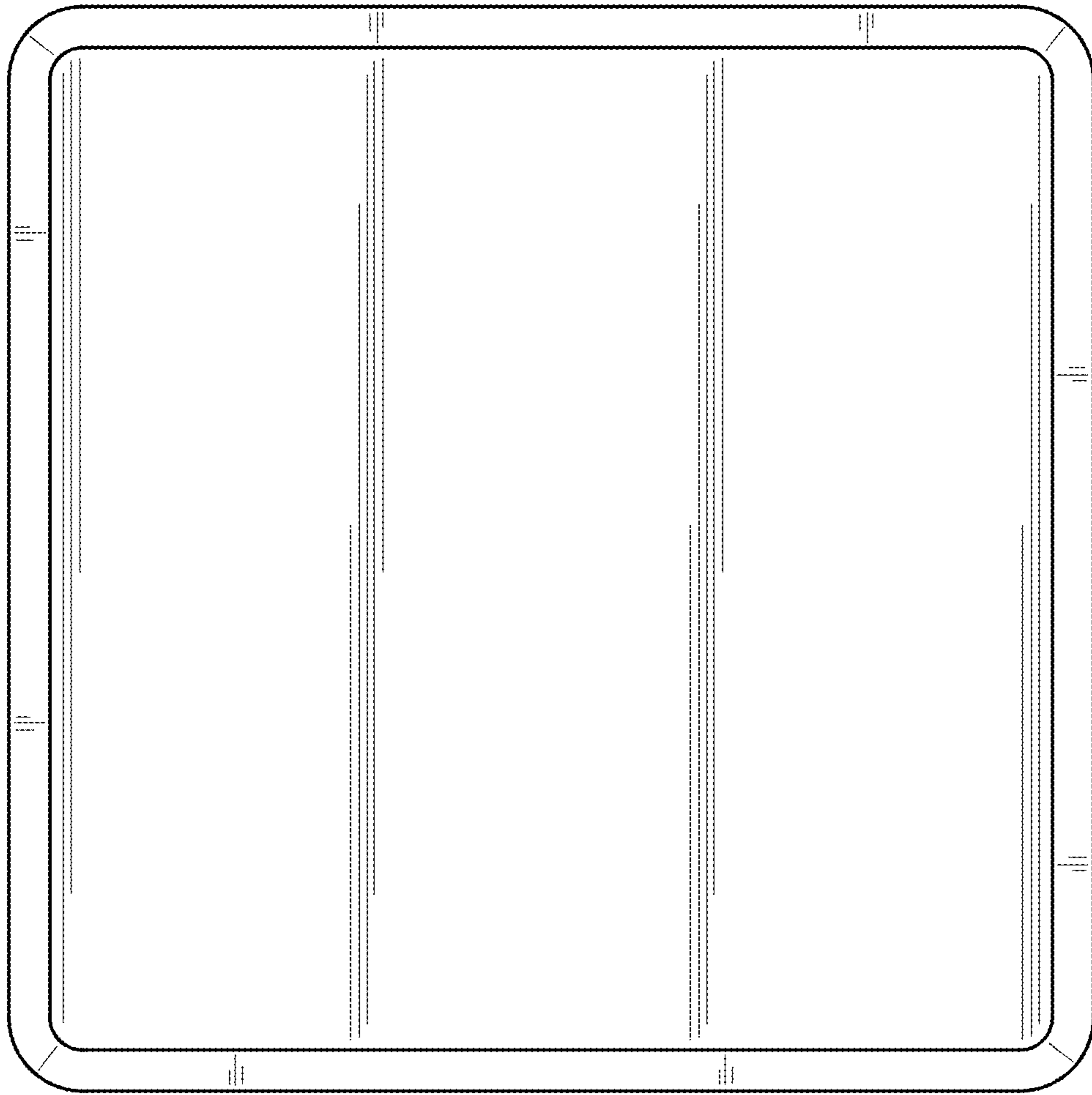


FIG.24

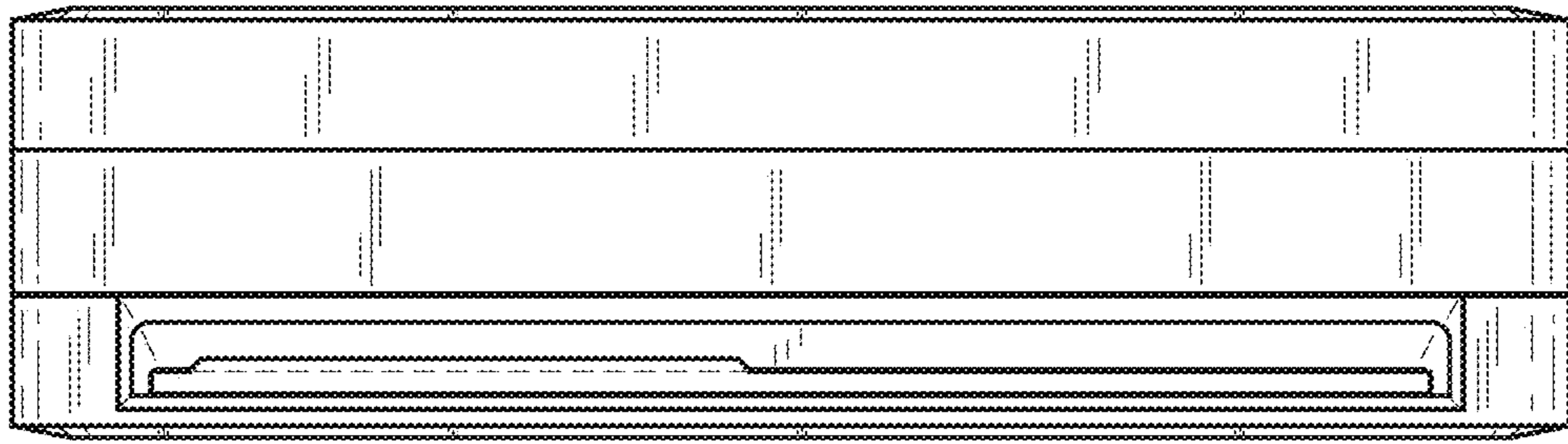


FIG.25

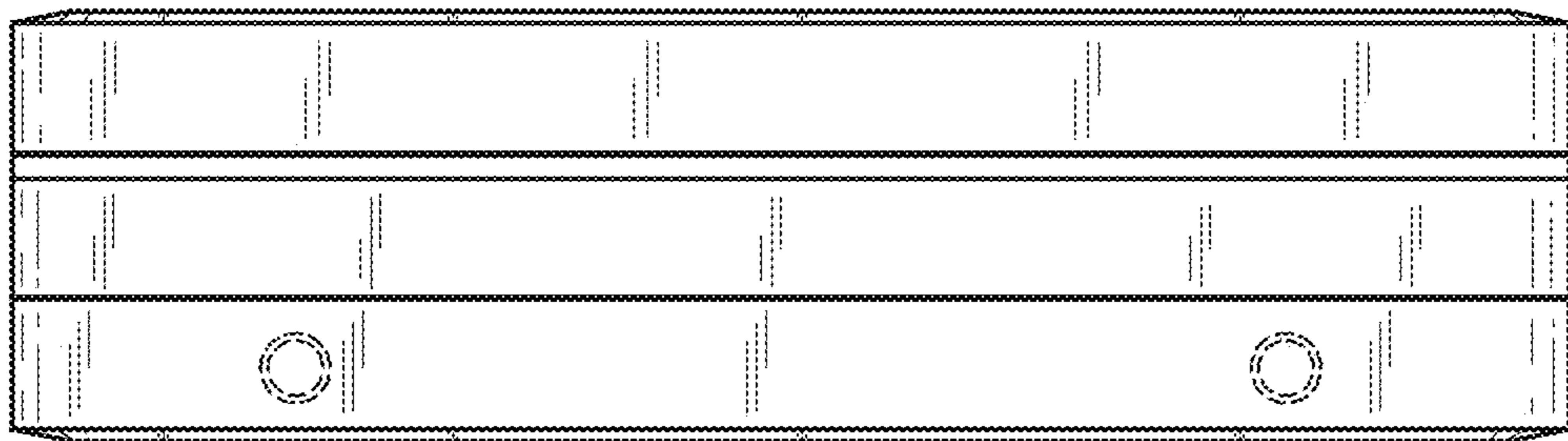


FIG.26

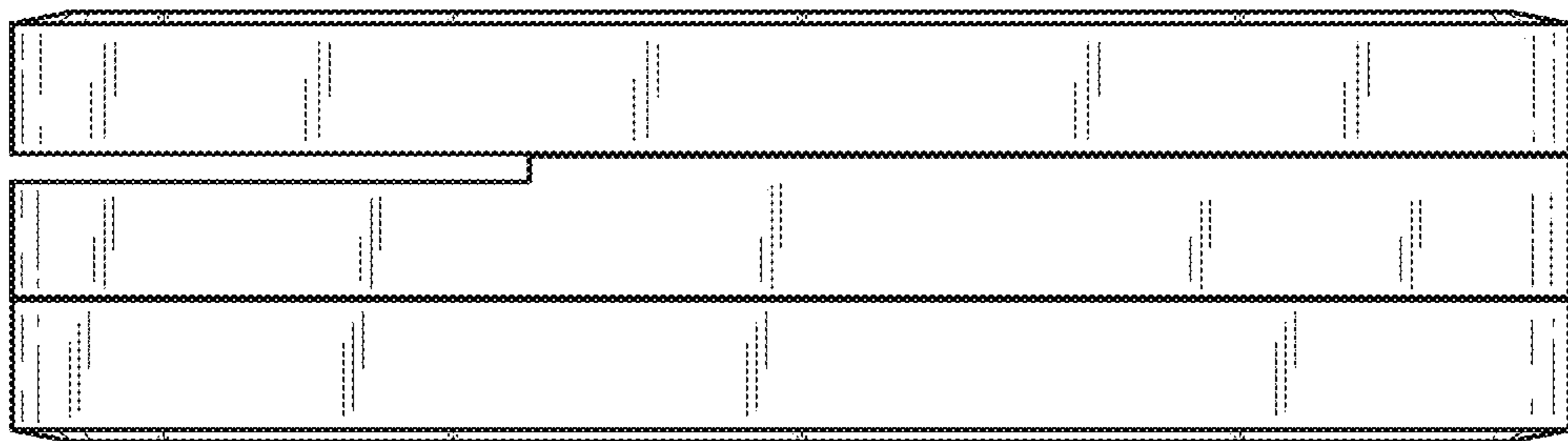


FIG.27

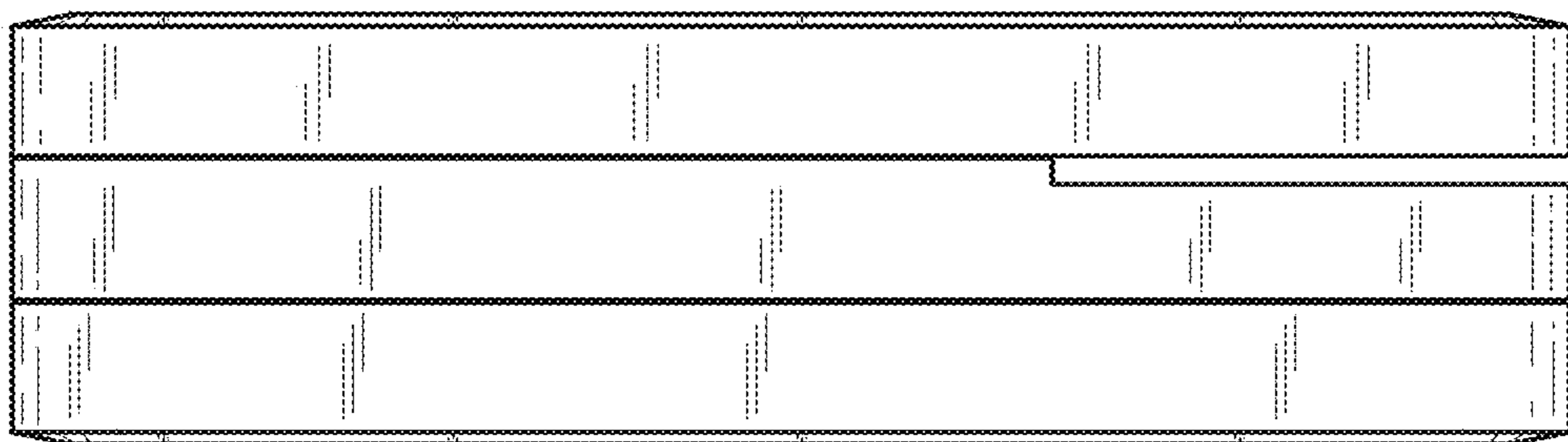


FIG.28

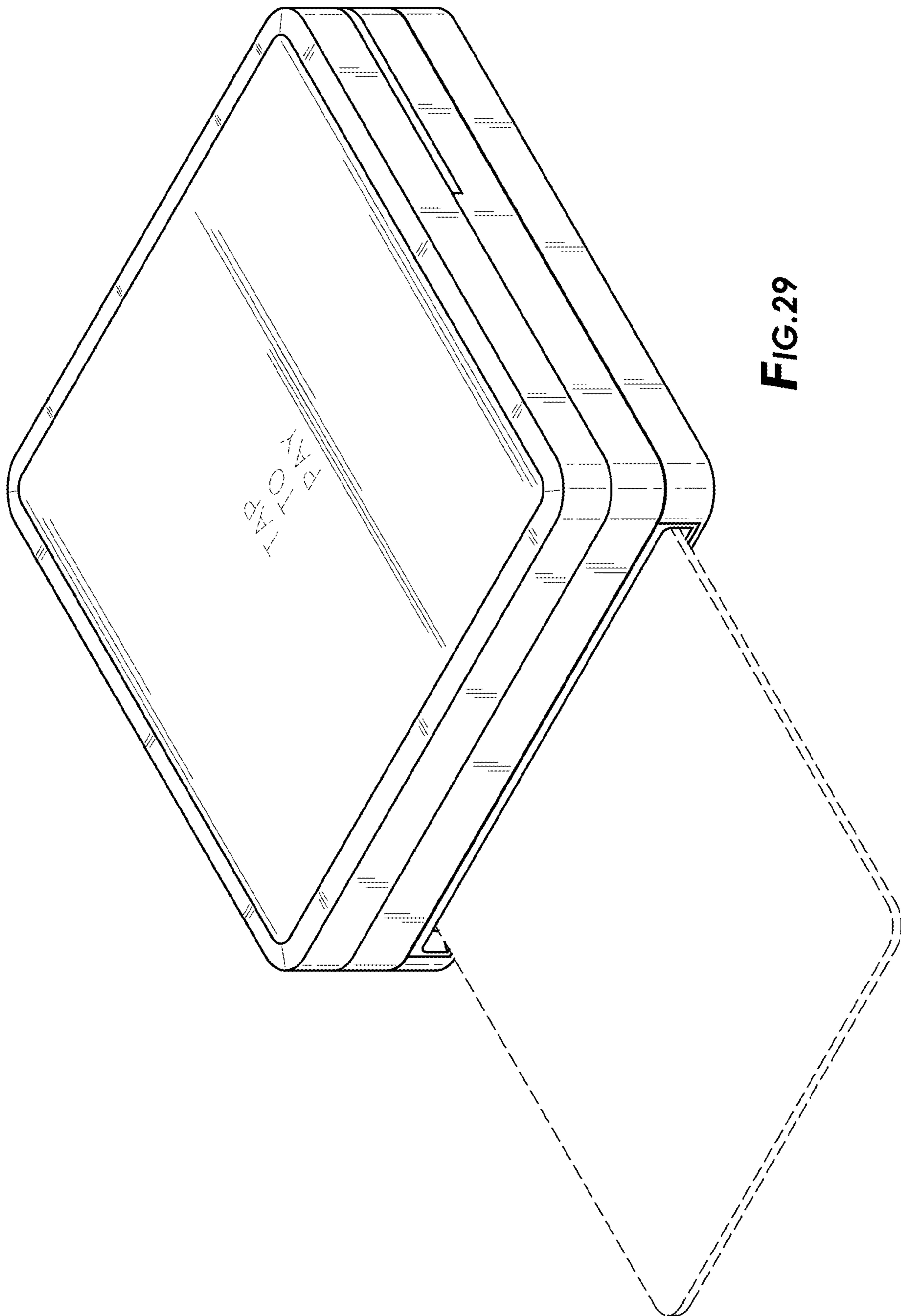


FIG.29

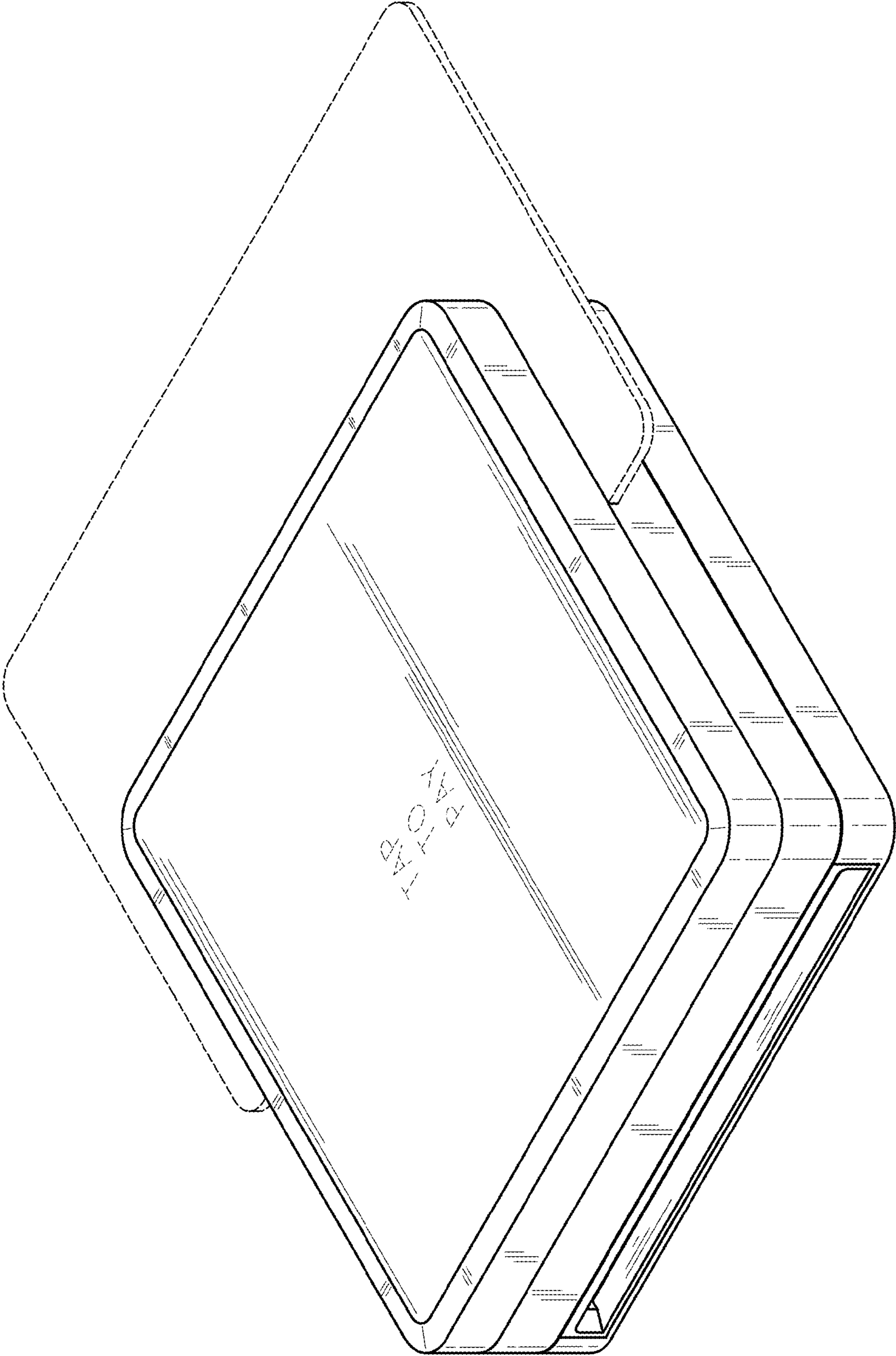


FIG.30

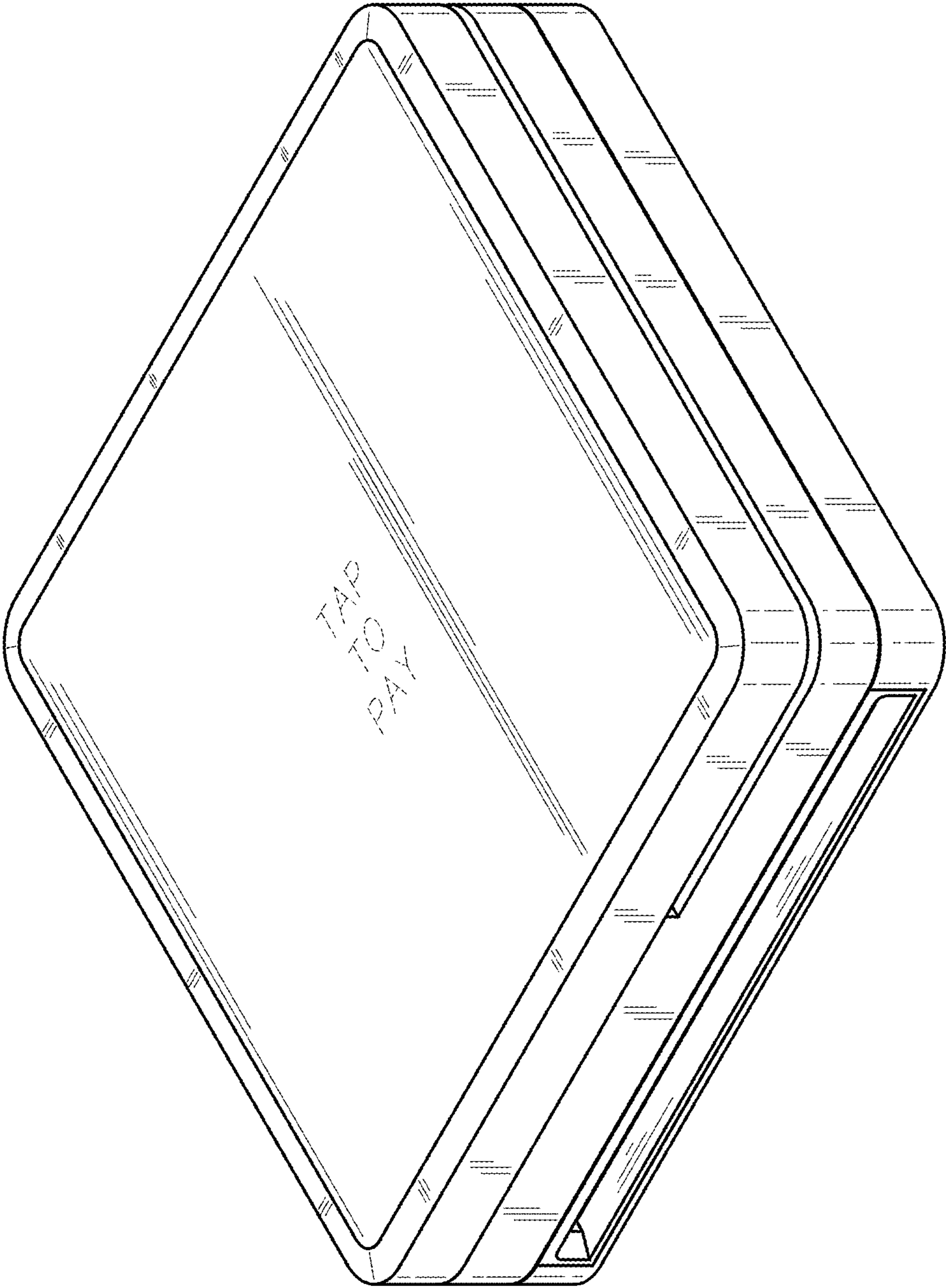


FIG.31

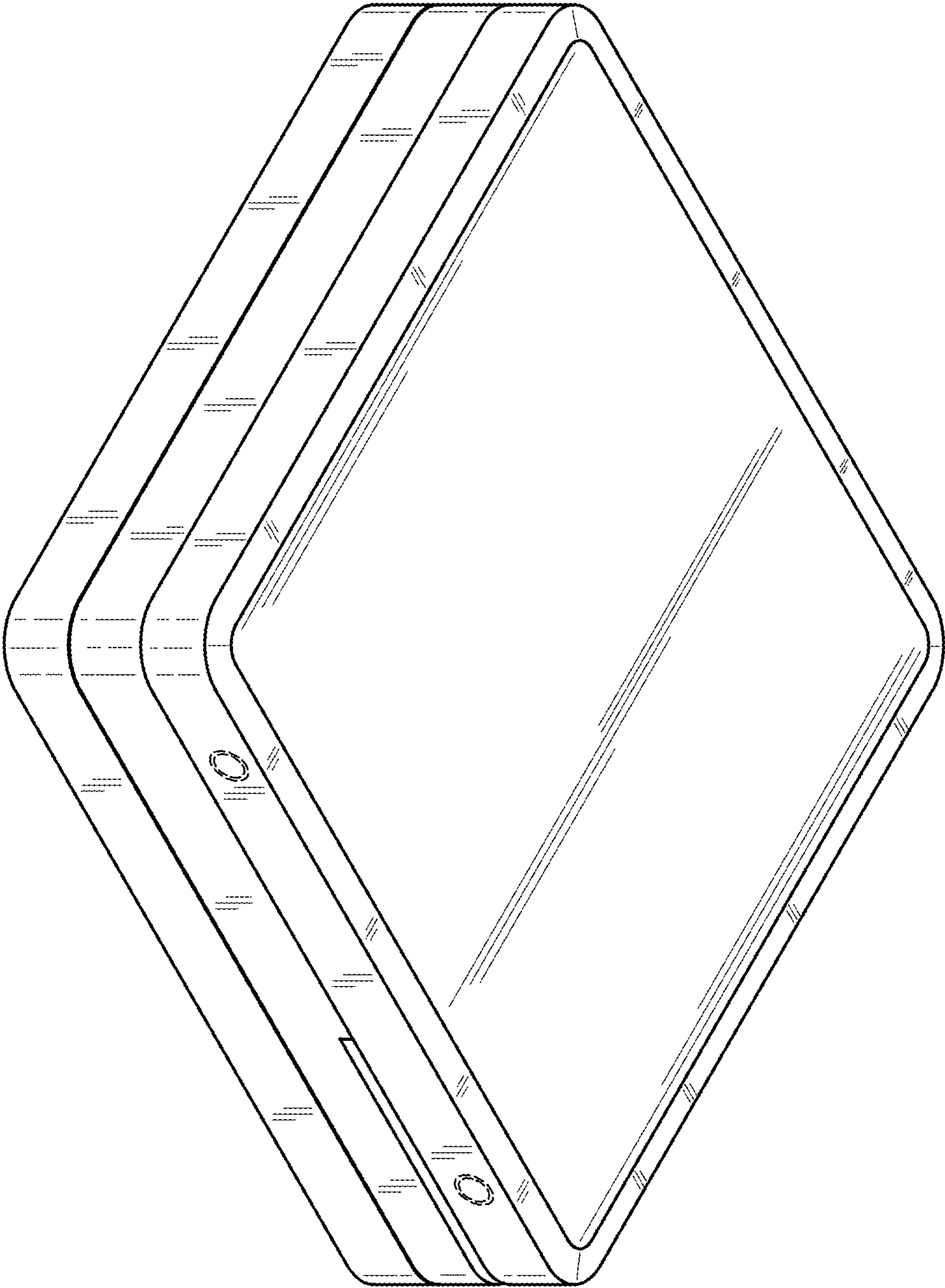


FIG.32

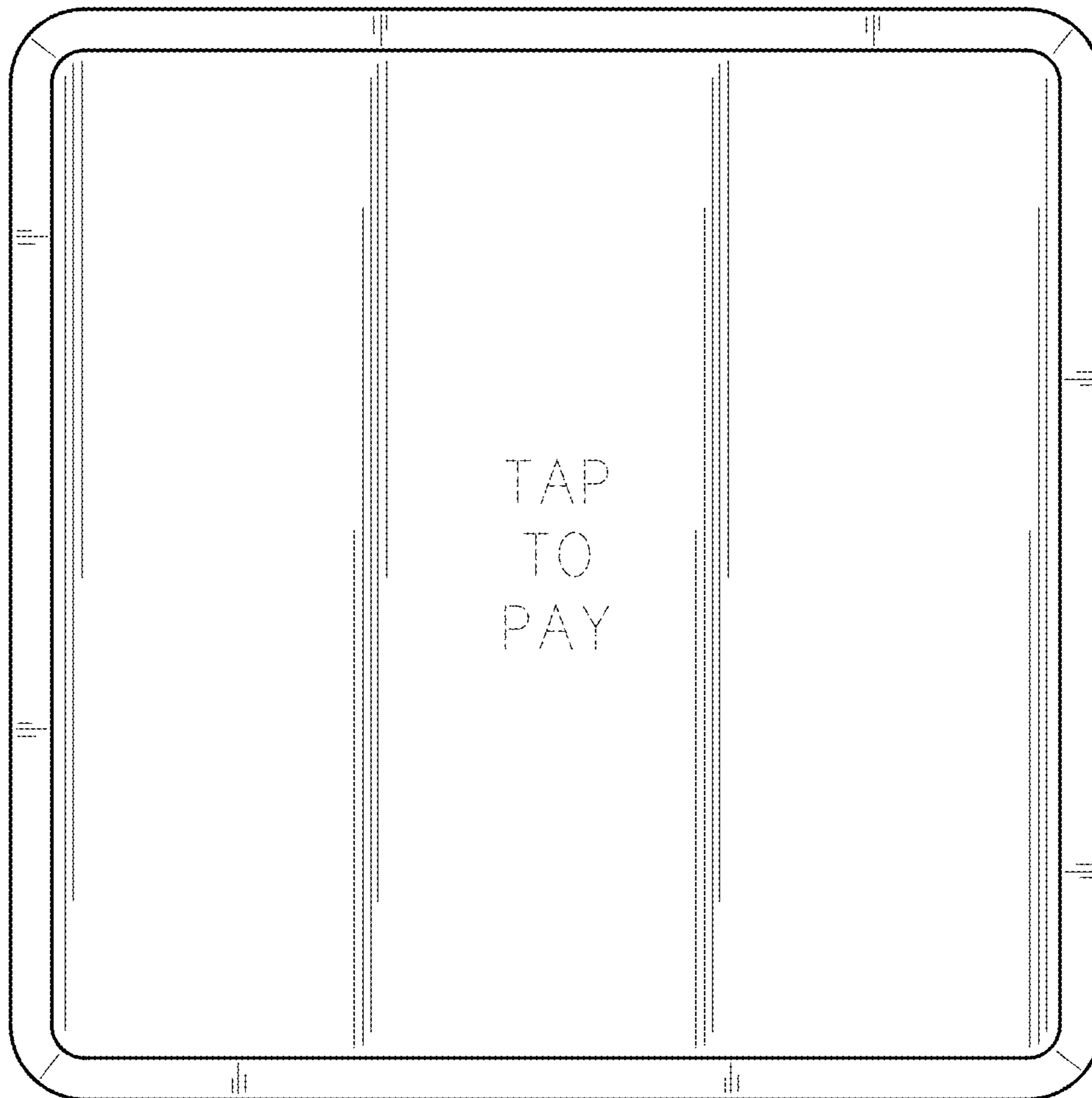


FIG.33

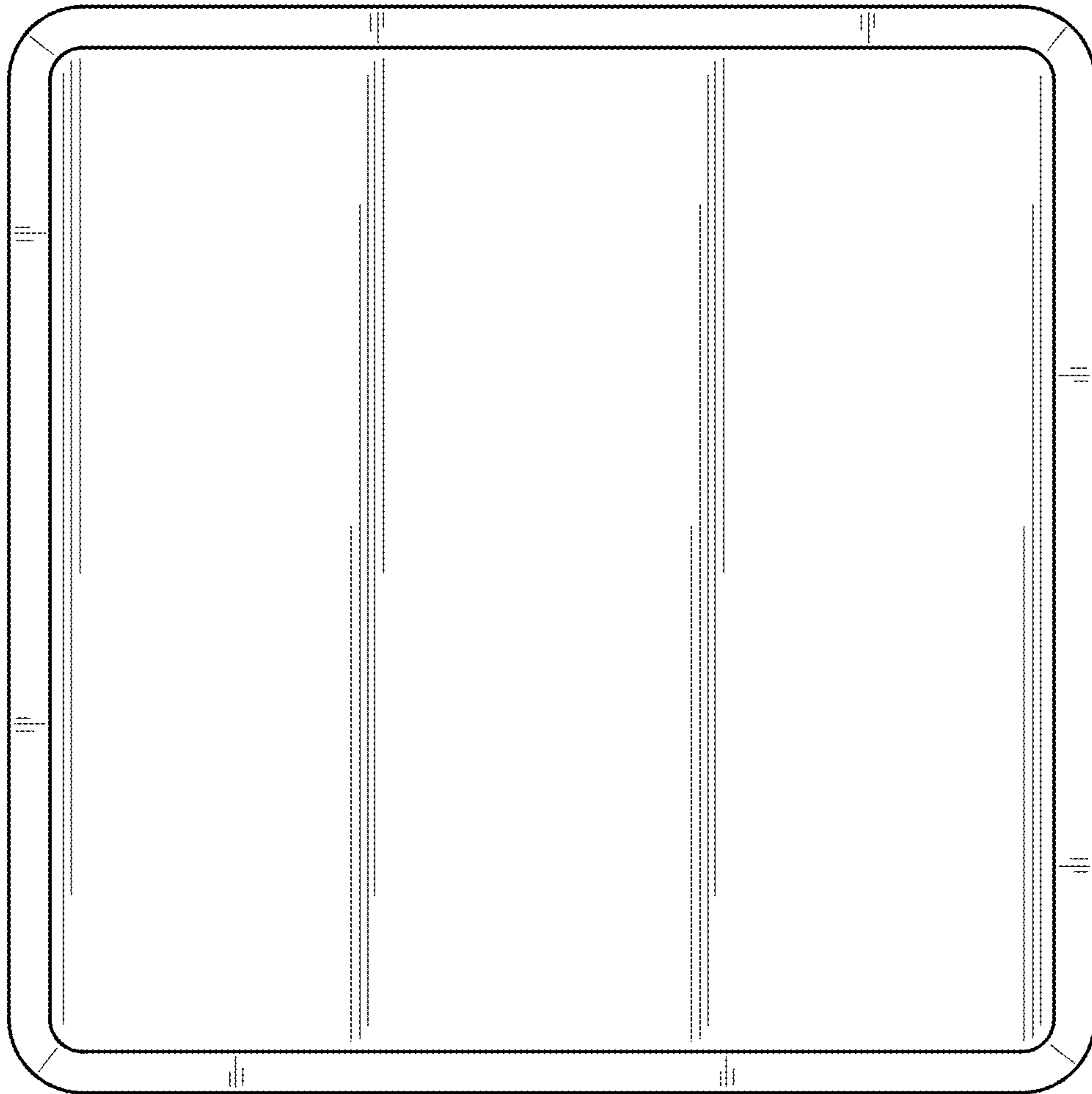


FIG.34

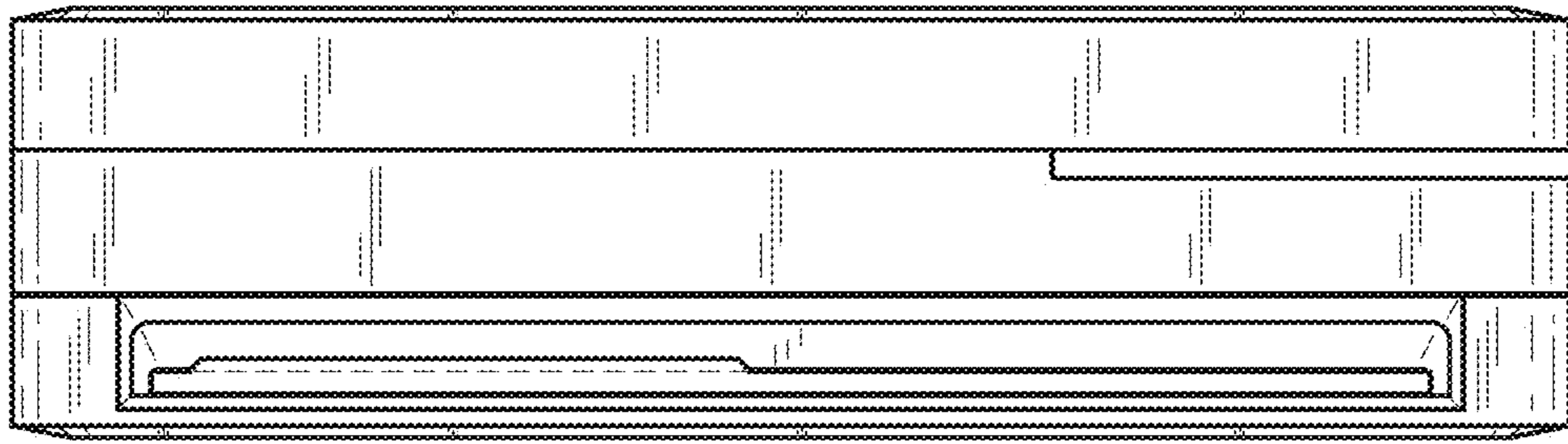


FIG.35

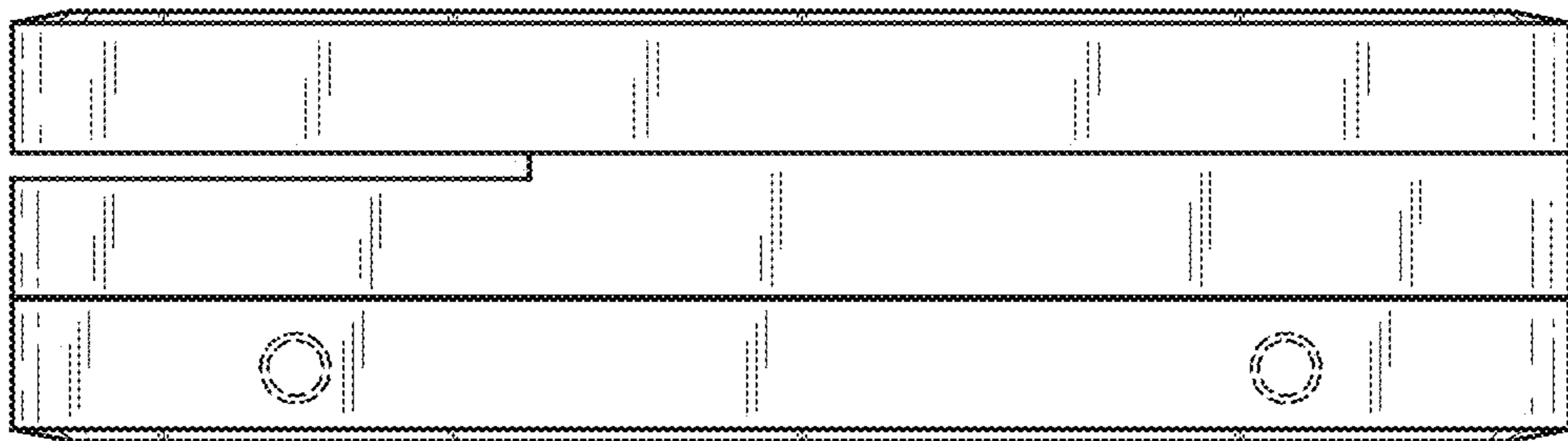


FIG.36

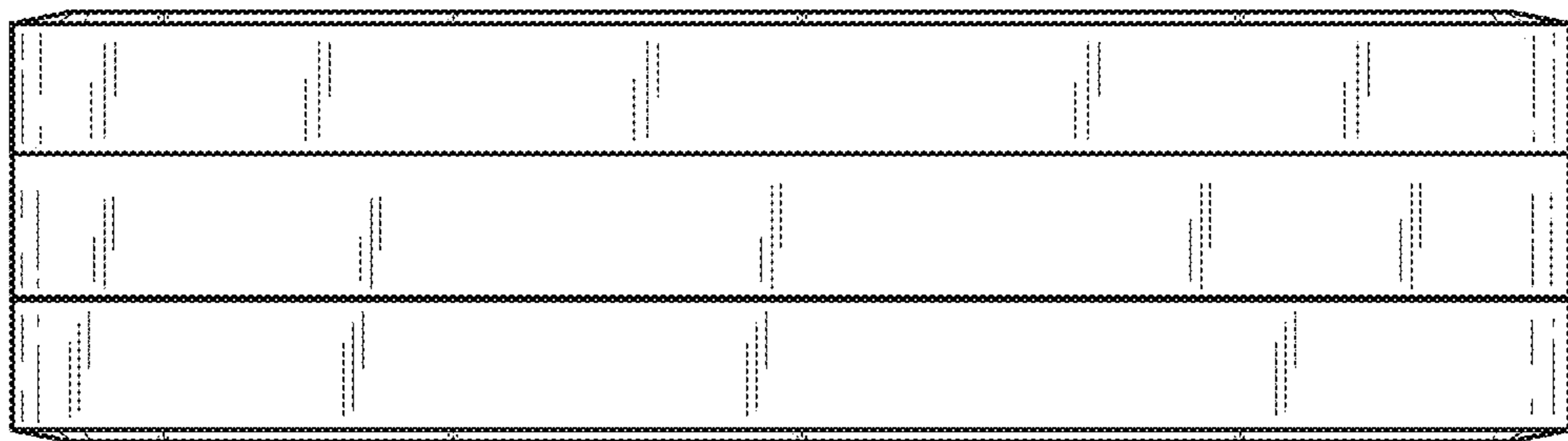


FIG.37

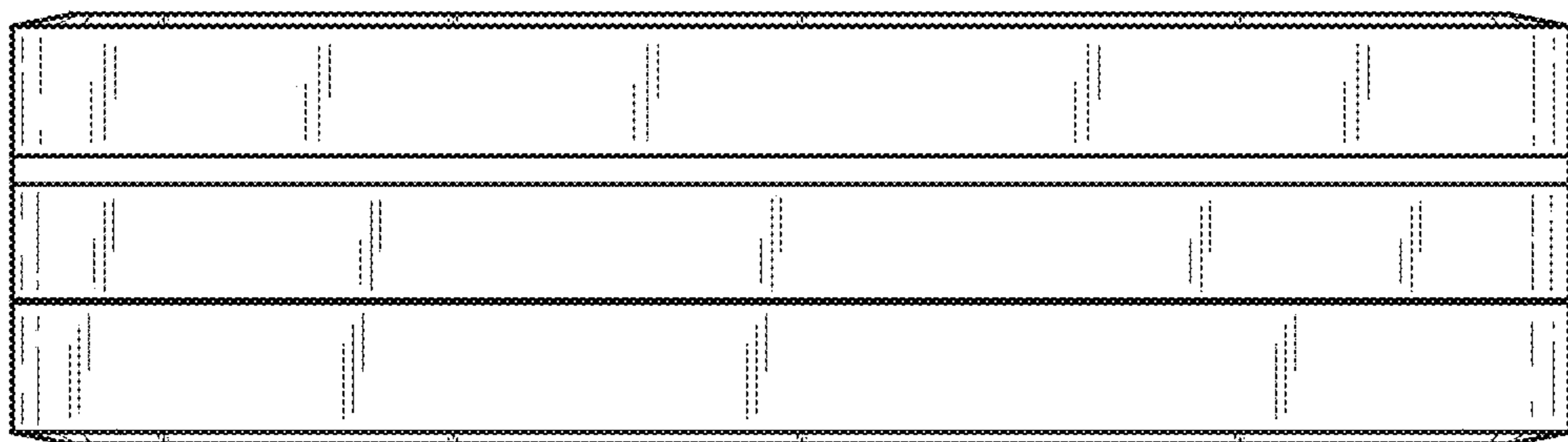


FIG.38

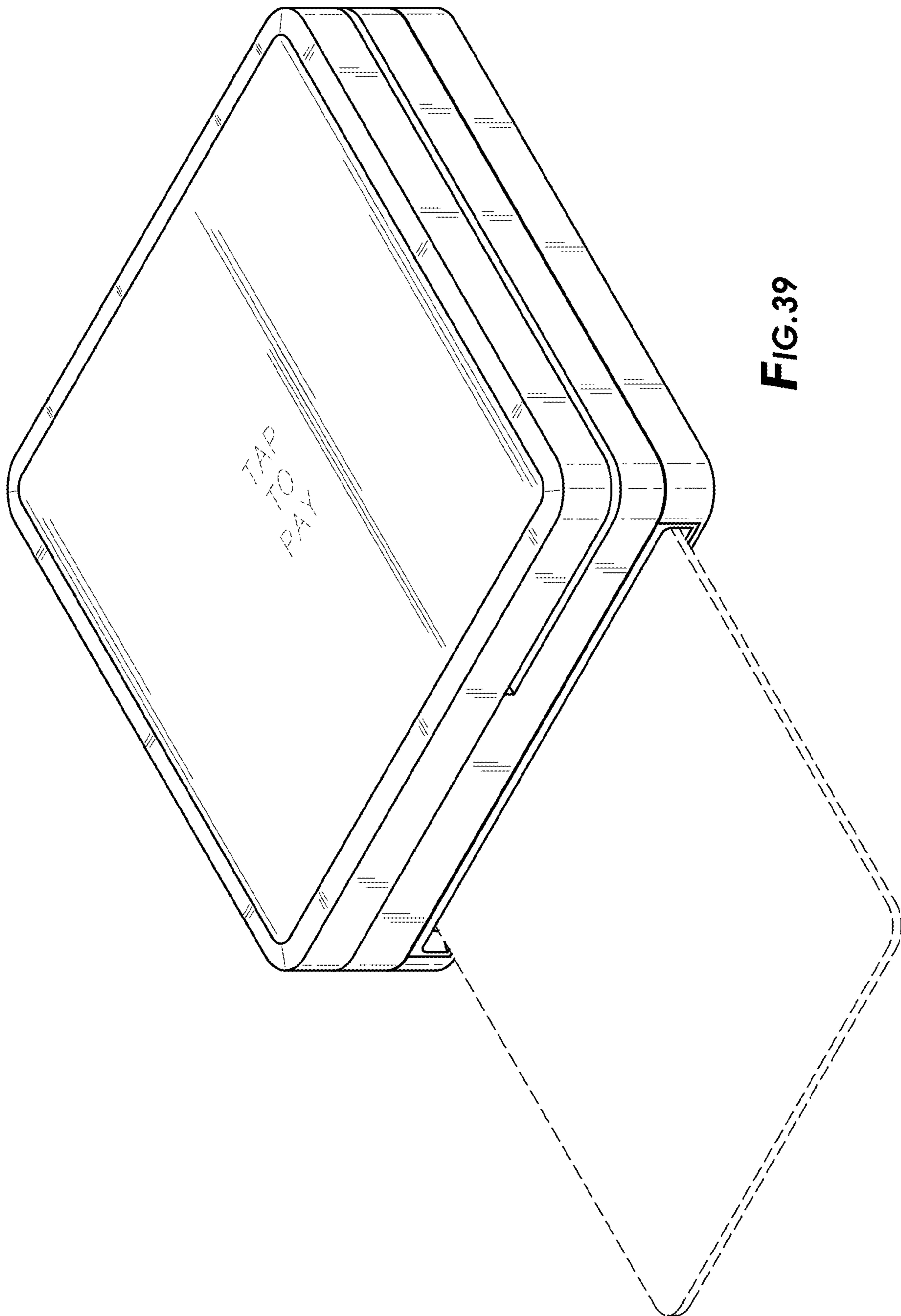


FIG.39

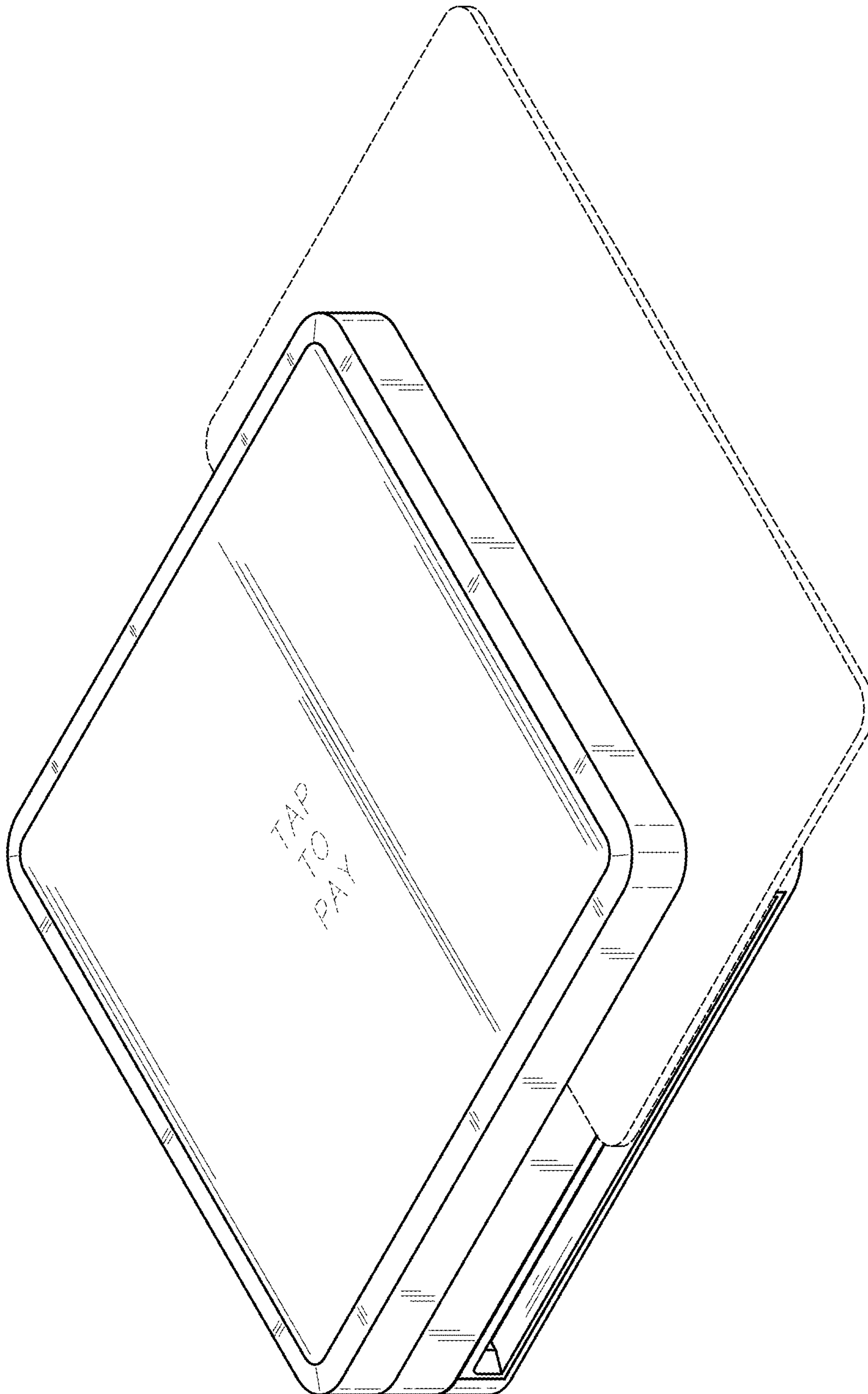


FIG.40