



US00D894896S

(12) **United States Design Patent**
Tzou et al.

(10) **Patent No.:** **US D894,896 S**
(45) **Date of Patent:** **** Sep. 1, 2020**

(54) **NOTEBOOK COMPUTER**

(71) Applicants: **Jyh-Chyang Tzou**, Taipei (TW);
Chun-Ting Lee, Taipei (TW);
Yao-Hsien Yang, Taipei (TW)

(72) Inventors: **Jyh-Chyang Tzou**, Taipei (TW);
Chun-Ting Lee, Taipei (TW);
Yao-Hsien Yang, Taipei (TW)

(73) Assignee: **COMPAL ELECTRONICS, INC.**,
Taipei (TW)

(**) Term: **15 Years**

(21) Appl. No.: **29/629,573**

(22) Filed: **Dec. 14, 2017**

(51) **LOC (12) Cl.** **14-02**

(52) **U.S. Cl.**
USPC **D14/315**

(58) **Field of Classification Search**
USPC D14/315-327, 333-335, 373-376, 390,
D14/392, 394, 455-457

(Continued)

(56) **References Cited**

U.S. PATENT DOCUMENTS

D414,751 S * 10/1999 Yogalingam D14/335
D588,126 S * 3/2009 Chiang D14/345
(Continued)

FOREIGN PATENT DOCUMENTS

KR 300728560000 8/2015

OTHER PUBLICATIONS

“Office Action of Taiwan Counterpart Application,” dated Mar. 26,
2019, p. 1-p. 3.

Primary Examiner — Sandra S Snapp
Assistant Examiner — Katherine Glennon
(74) *Attorney, Agent, or Firm* — JCIPRNET

(57) **CLAIM**

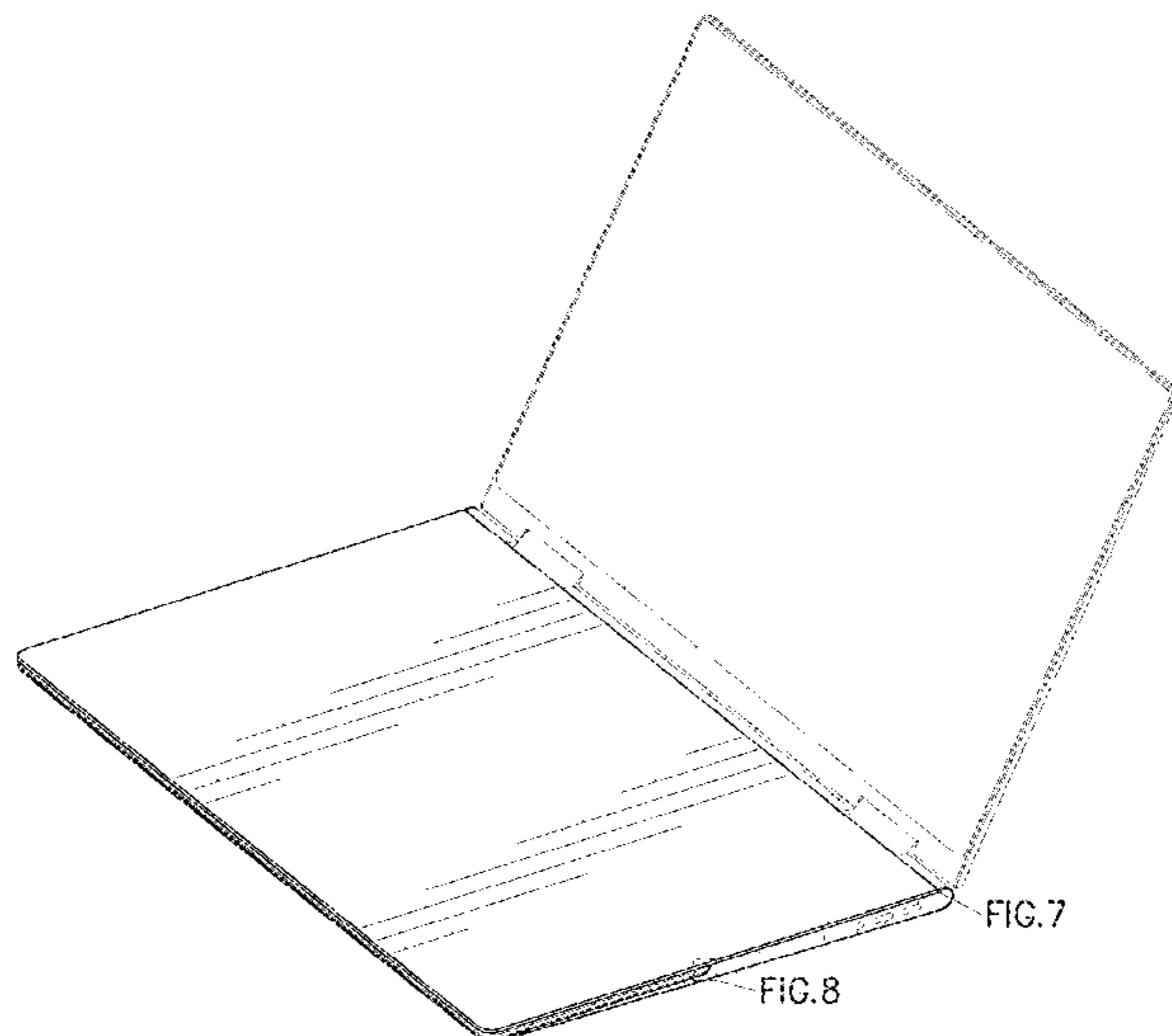
The ornamental design for a notebook computer, as shown
and described.

DESCRIPTION

FIG. 1 is a perspective view of a notebook computer
showing our new design;
FIG. 2 is another perspective view thereof;
FIG. 3 is a front view thereof;
FIG. 4 is a left side view thereof;
FIG. 5 is a right side view thereof;
FIG. 6 is a top view thereof;
FIG. 7 is an enlarged view of the portion indicated in FIG.
1;
FIG. 8 is an enlarged view of the portion indicated in FIG.
1;
FIG. 9 is an enlarged view of the portion indicated in FIG.
2;
FIG. 10 is an enlarged view of the portion indicated in FIG.
2;
FIG. 11 is an enlarged view of the portion indicated in FIG.
3;
FIG. 12 is an enlarged view of the portion indicated in FIG.
4;
FIG. 13 is an enlarged view of the portion indicated in FIG.
4;
FIG. 14 is an enlarged view of the portion indicated in FIG.
6;
FIG. 15 is an enlarged view of the portion indicated in FIG.
6;
FIG. 16 is an enlarged view of the portion indicated in FIG.
6; and,
FIG. 17 is an enlarged view of the portion indicated in FIG.
6.

The broken lines shown in the drawings illustrate portions of
the notebook computer that form no part of the claimed
design.

1 Claim, 17 Drawing Sheets



(58) **Field of Classification Search**
 CPC G06F 1/1616; G06F 1/1618; G06F 1/162;
 G06F 1/1624; H05K 5/0234; H05K
 5/0017; H05K 5/0226
 See application file for complete search history.

(56) **References Cited**

U.S. PATENT DOCUMENTS

D611,467	S *	3/2010	Gou	D14/315
7,724,328	B2 *	5/2010	Kim	G02F 1/133555 349/113
8,194,399	B2 *	6/2012	Ashcraft	G06F 1/1626 257/59
8,295,652	B1 *	10/2012	Newstead	G06F 1/1637 361/679.05
D689,870	S *	9/2013	Fong	D14/447
D698,350	S *	1/2014	Adamson	D14/318
D717,296	S *	11/2014	Oh	D14/316
D740,802	S *	10/2015	Hsu	D14/316
9,614,022	B2 *	4/2017	Miyake	H01L 51/0097
D803,826	S *	11/2017	Wang	D14/316
D810,750	S *	2/2018	Chang	D14/434
10,168,739	B1 *	1/2019	Chen	G06F 1/1616
2005/0195576	A1 *	9/2005	Chuang	G06F 1/1618 361/730
2008/0030484	A1 *	2/2008	Cho	G06F 3/0412 345/176

2009/0244012	A1 *	10/2009	Behar	G06F 1/162 345/169
2011/0248967	A1 *	10/2011	Wang	G09G 3/344 345/204
2012/0063079	A1 *	3/2012	Yeh	G06F 1/1681 361/679.4
2012/0092234	A1 *	4/2012	Trooskin-Zoller	G06F 3/1446 345/1.3
2012/0140410	A1 *	6/2012	Chen	G06F 1/1616 361/679.55
2012/0155035	A1 *	6/2012	Chen	G06F 1/1626 361/728
2013/0088824	A1 *	4/2013	John	G06F 1/1637 361/679.06
2014/0139990	A1 *	5/2014	Moser	G06F 1/1616 361/679.11
2014/0285476	A1 *	9/2014	Cho	G06F 1/1601 345/204
2014/0328014	A1 *	11/2014	Lan	G06F 1/1681 361/679.27
2015/0185786	A1 *	7/2015	Yeh	G06F 1/1675 361/679.55
2015/0253812	A1 *	9/2015	Chen	G06F 1/166 361/679.17
2017/0090522	A1 *	3/2017	Lu	G06F 1/1616
2017/0308130	A1 *	10/2017	Hsu	G06F 1/1616
2018/0230726	A1 *	8/2018	Chen	E05D 11/10
2019/0086970	A1 *	3/2019	Fang	G06F 1/1681

* cited by examiner

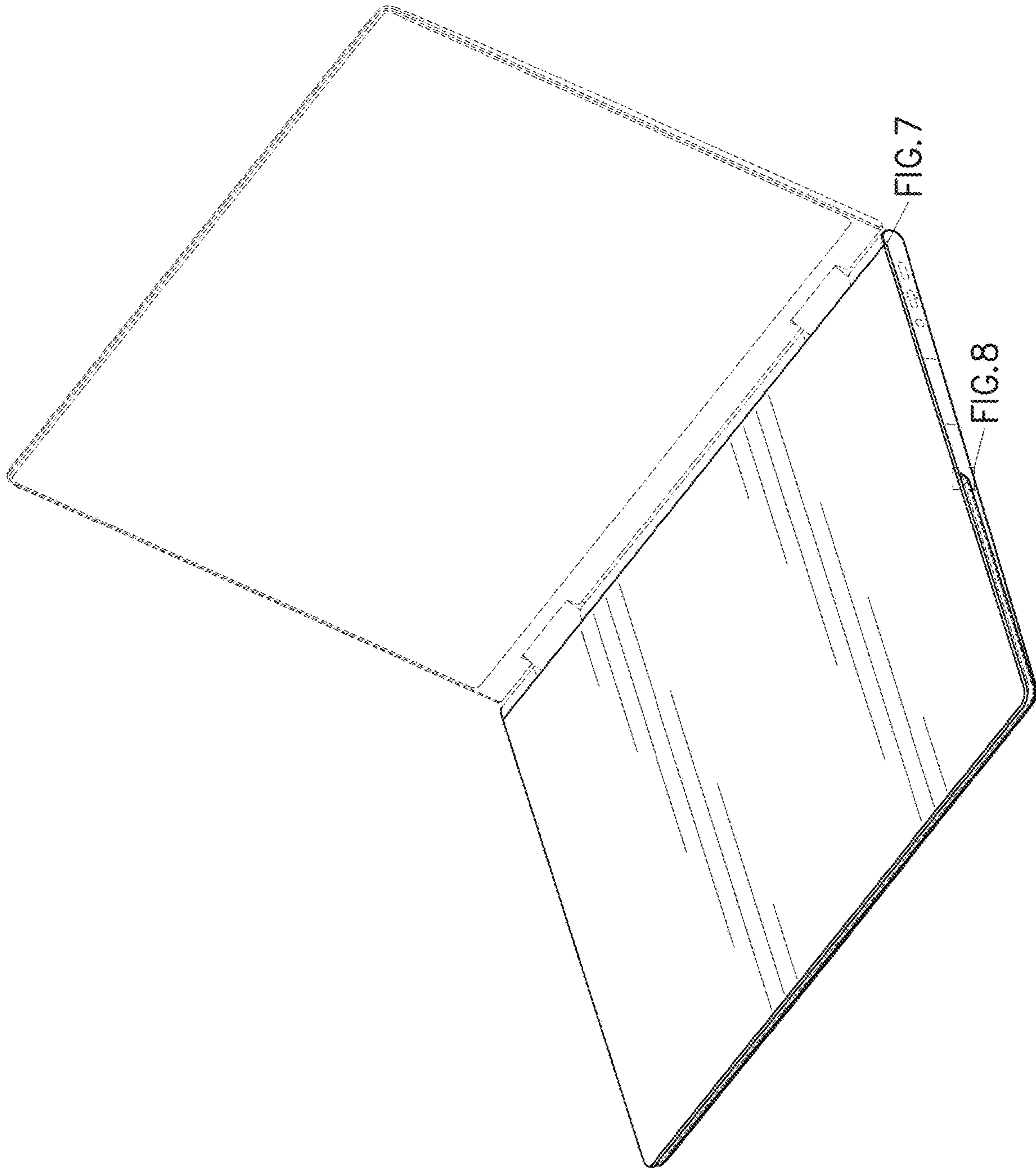


FIG. 1

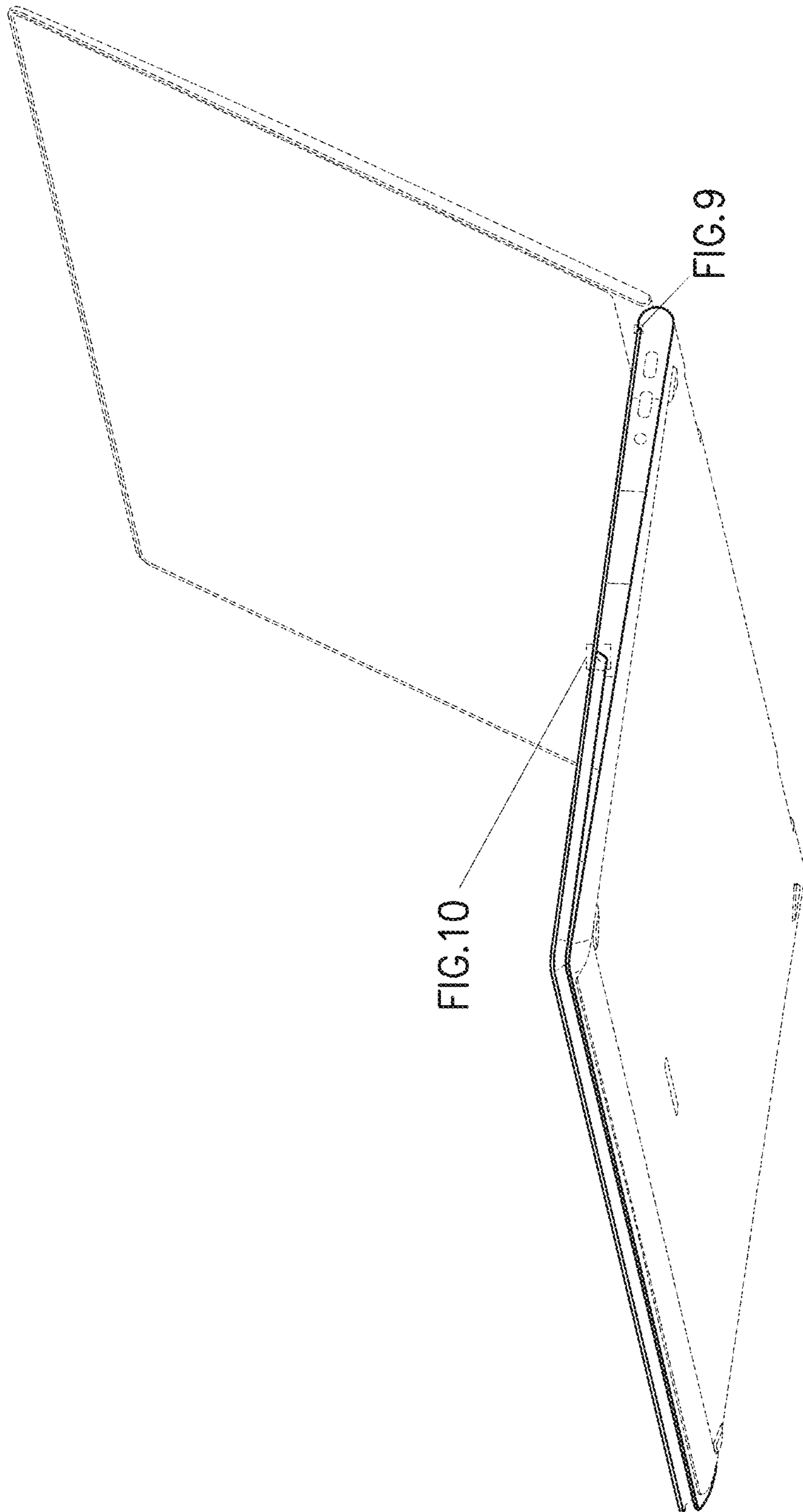


FIG. 2

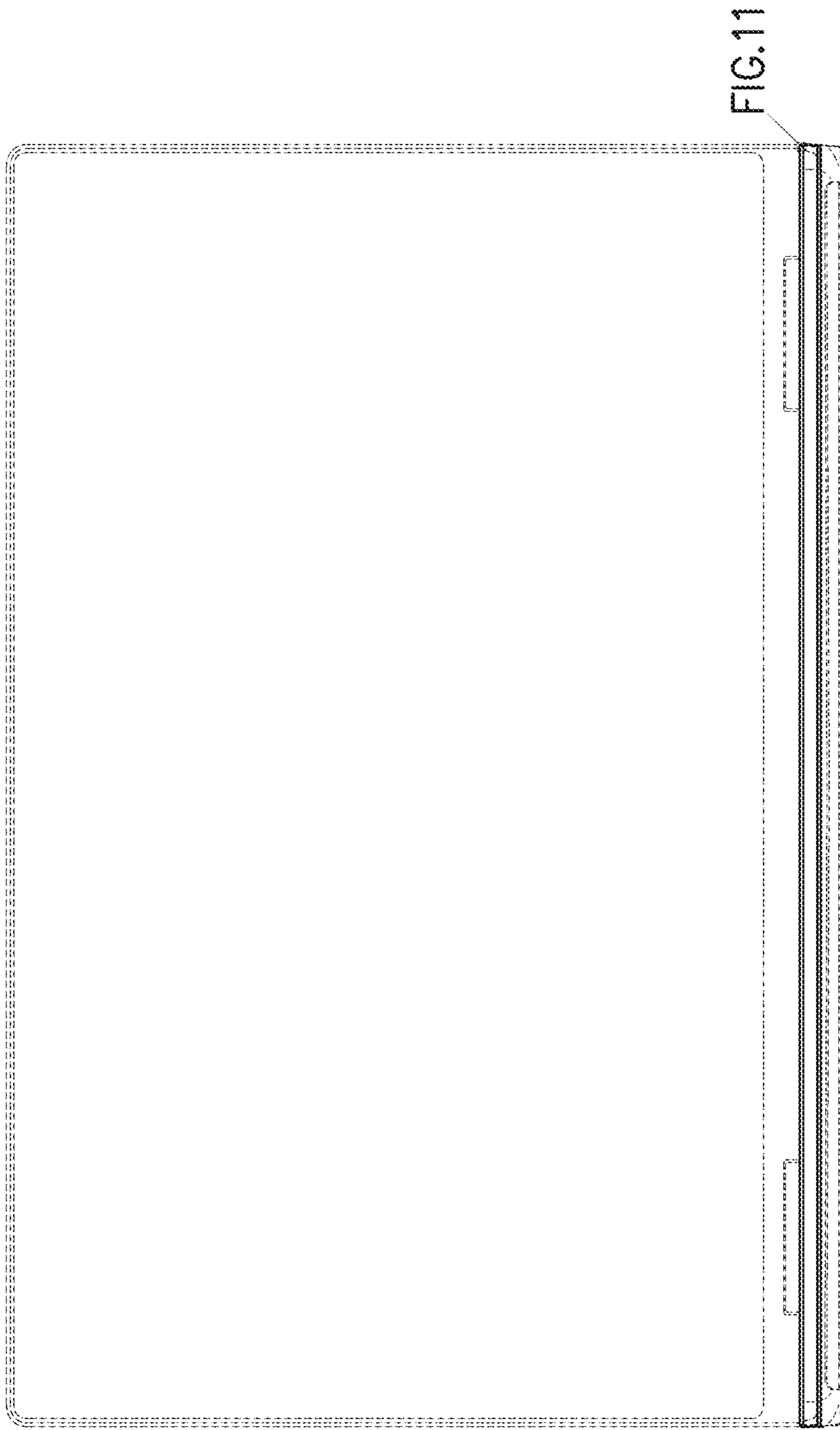


FIG. 3

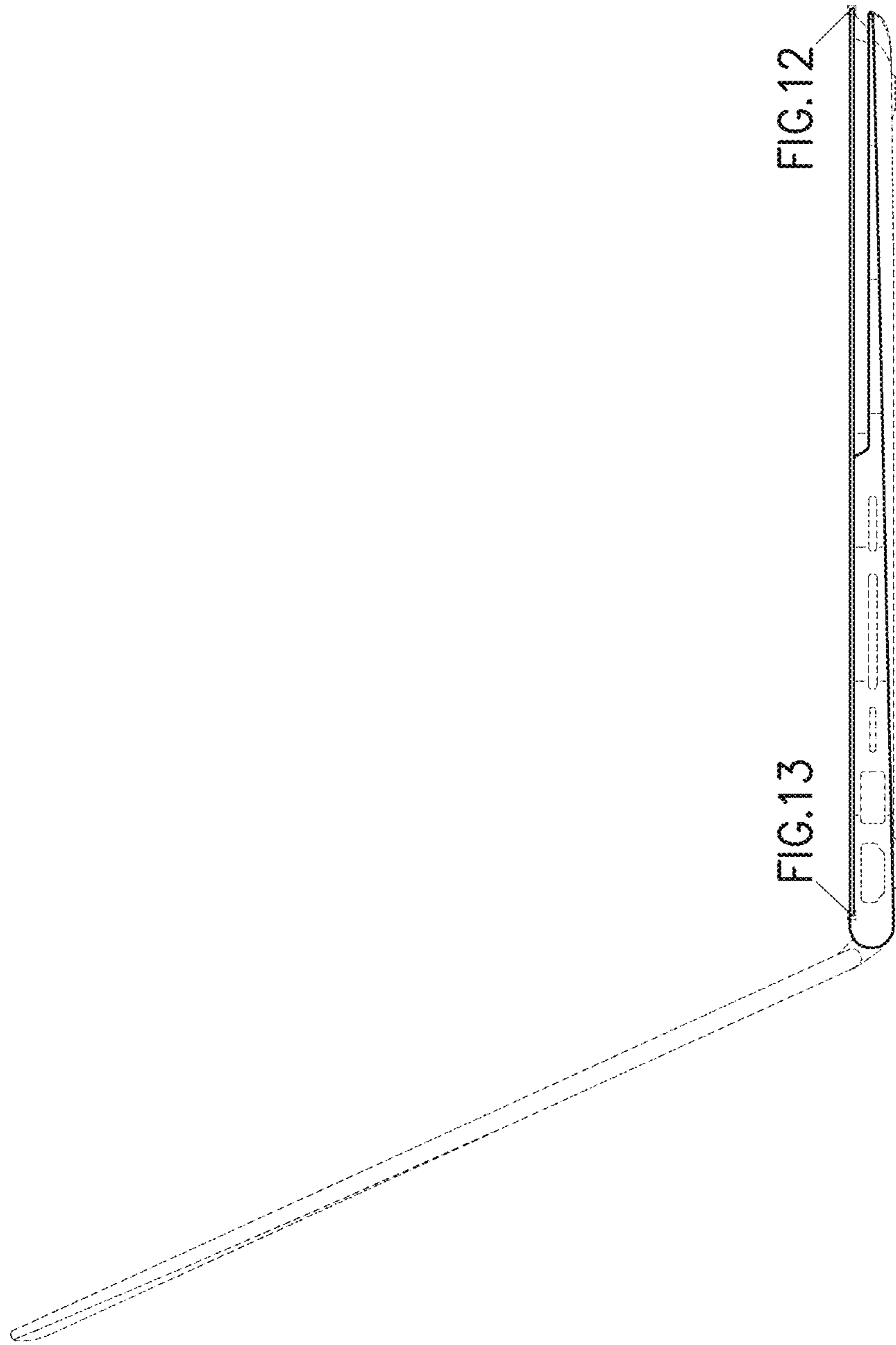


FIG.12

FIG.13

FIG. 4

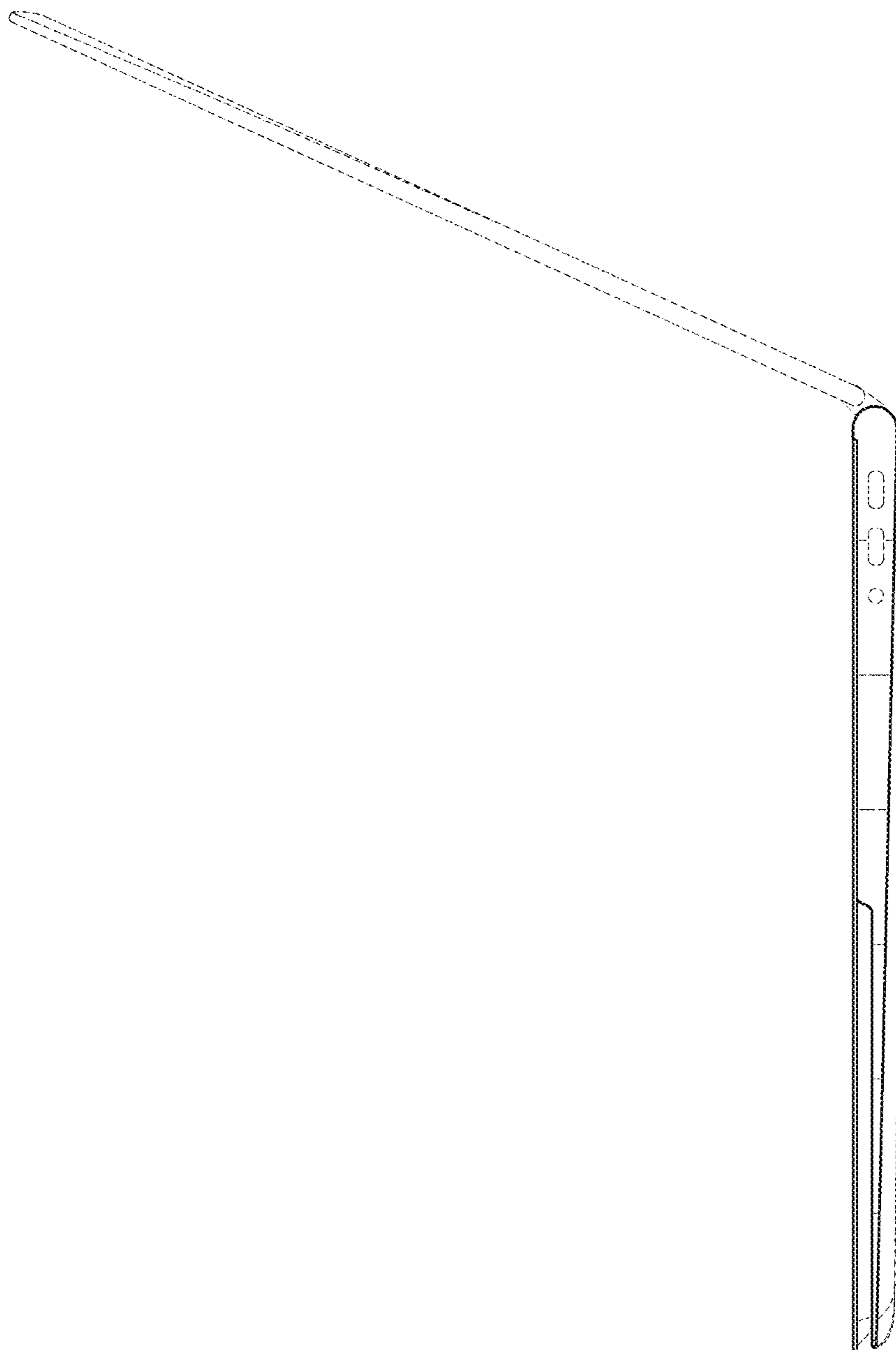


FIG. 5

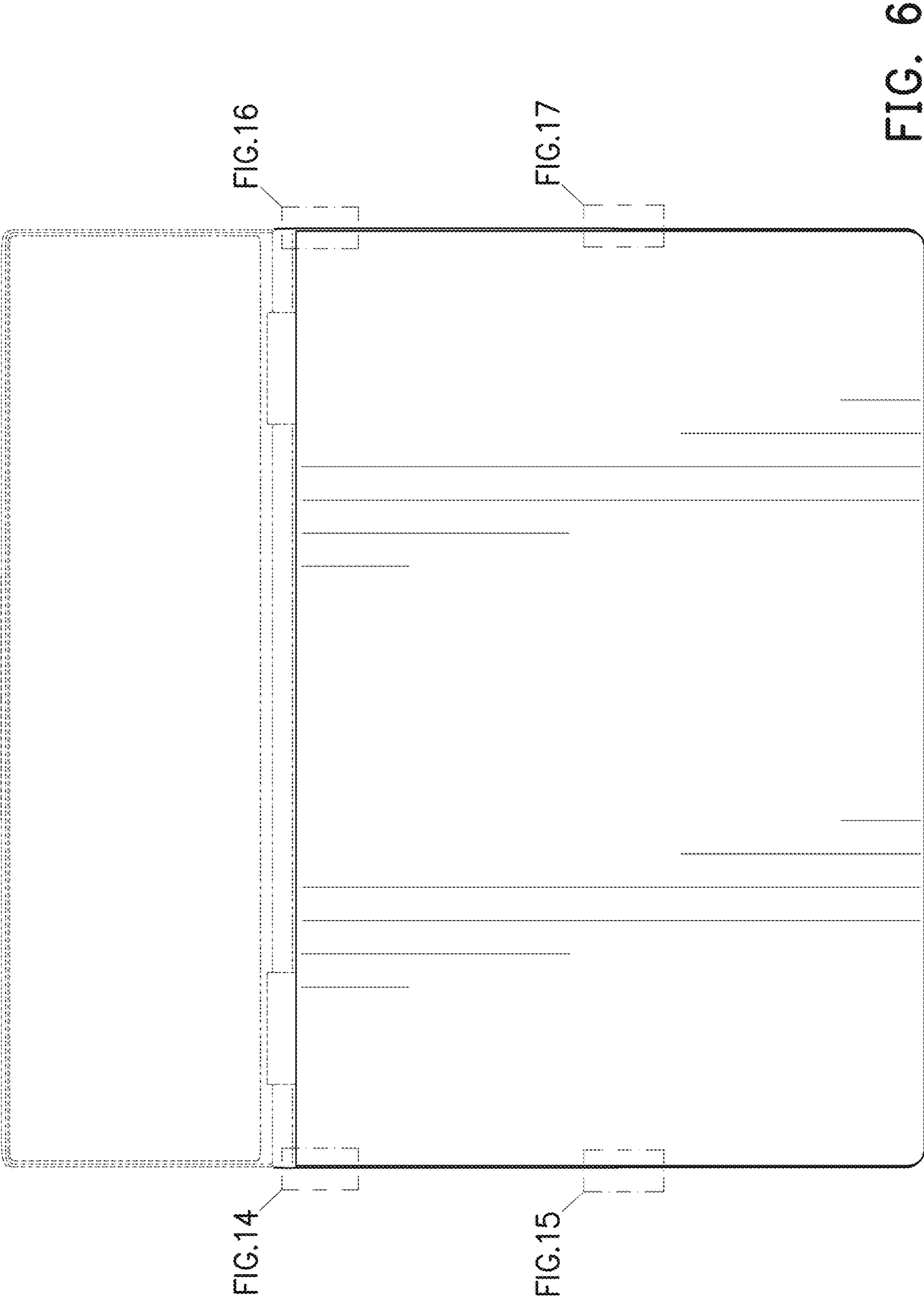


FIG. 6

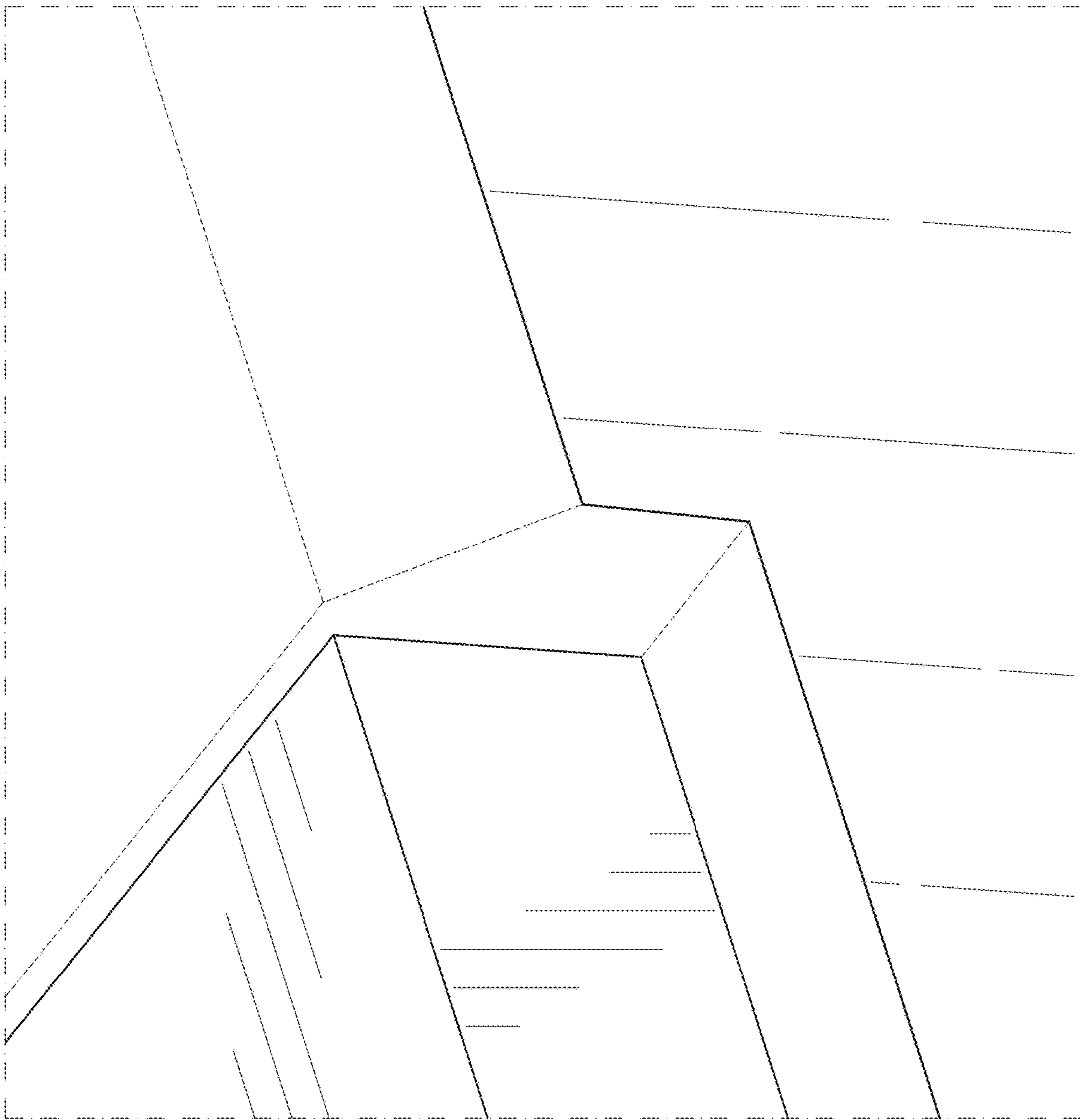


FIG. 7

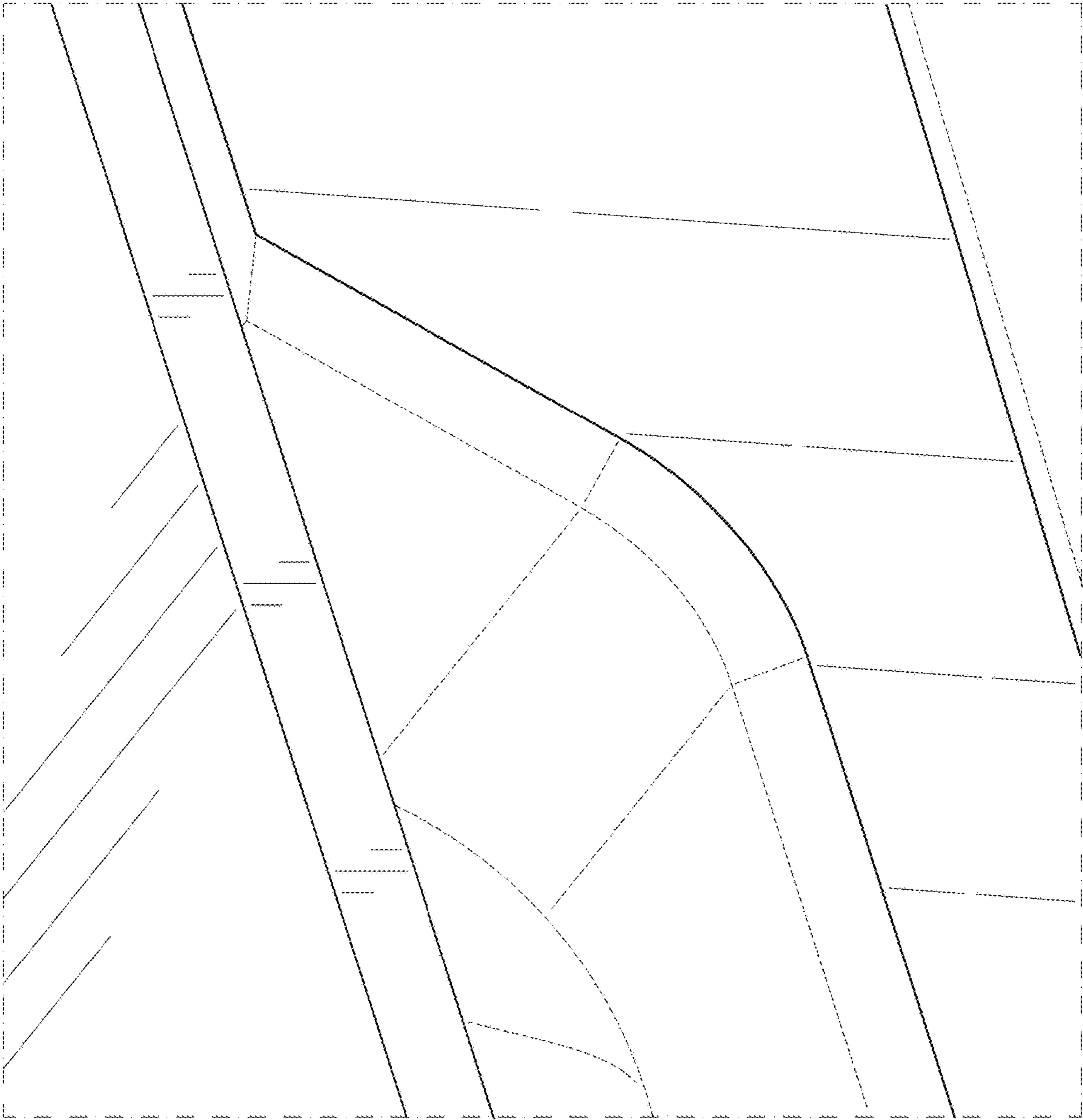


FIG. 8

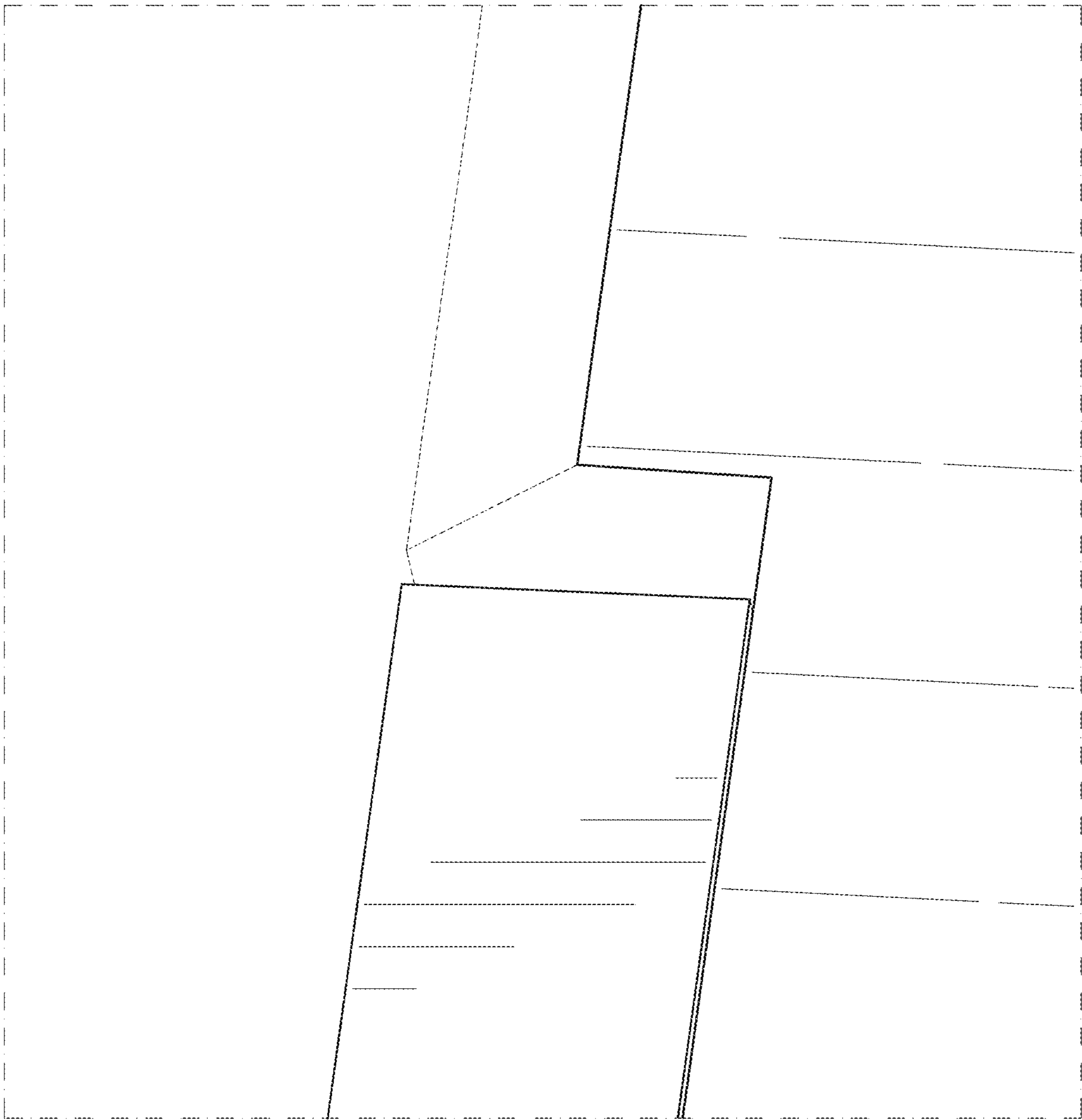


FIG. 9

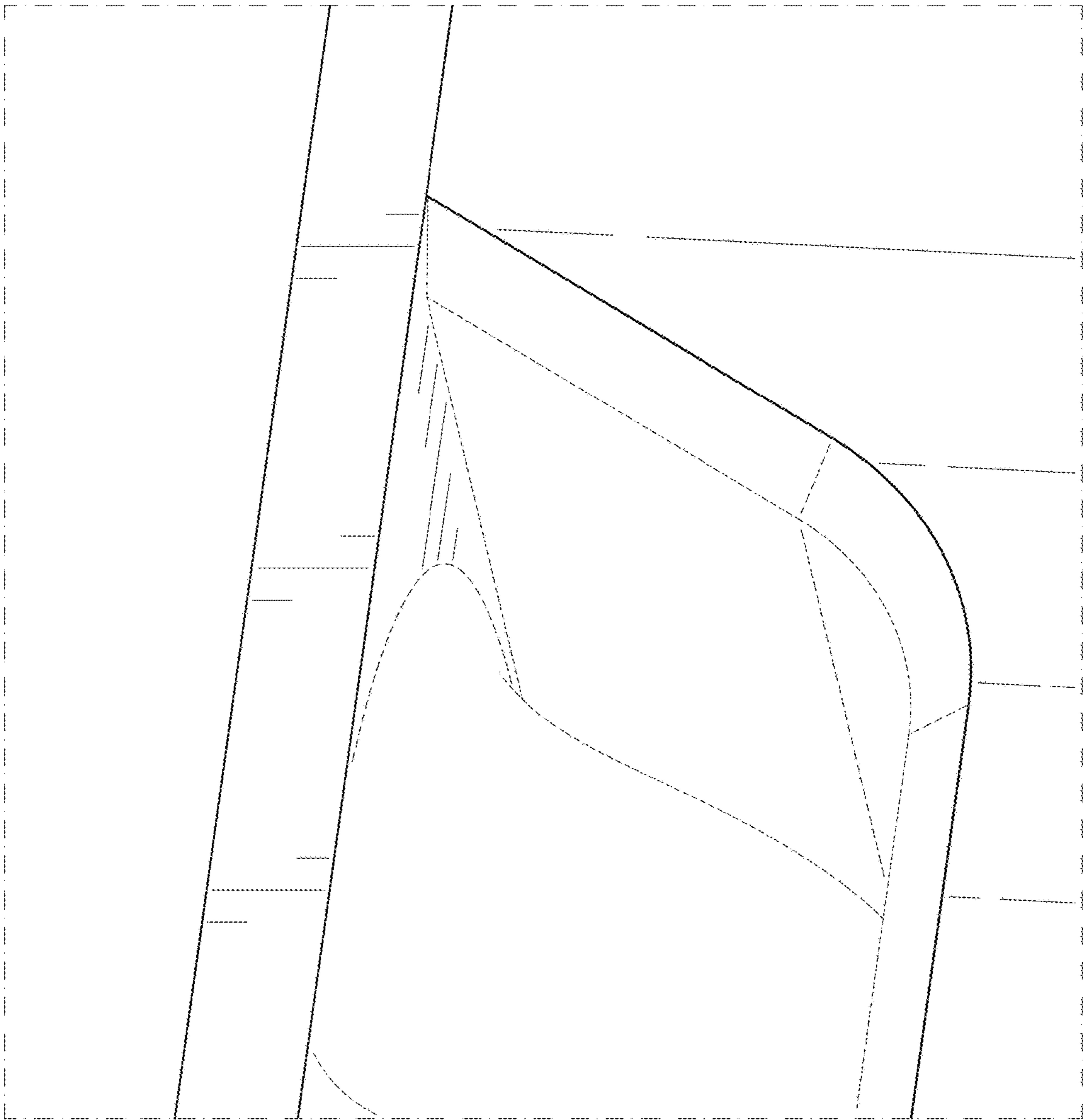


FIG. 10

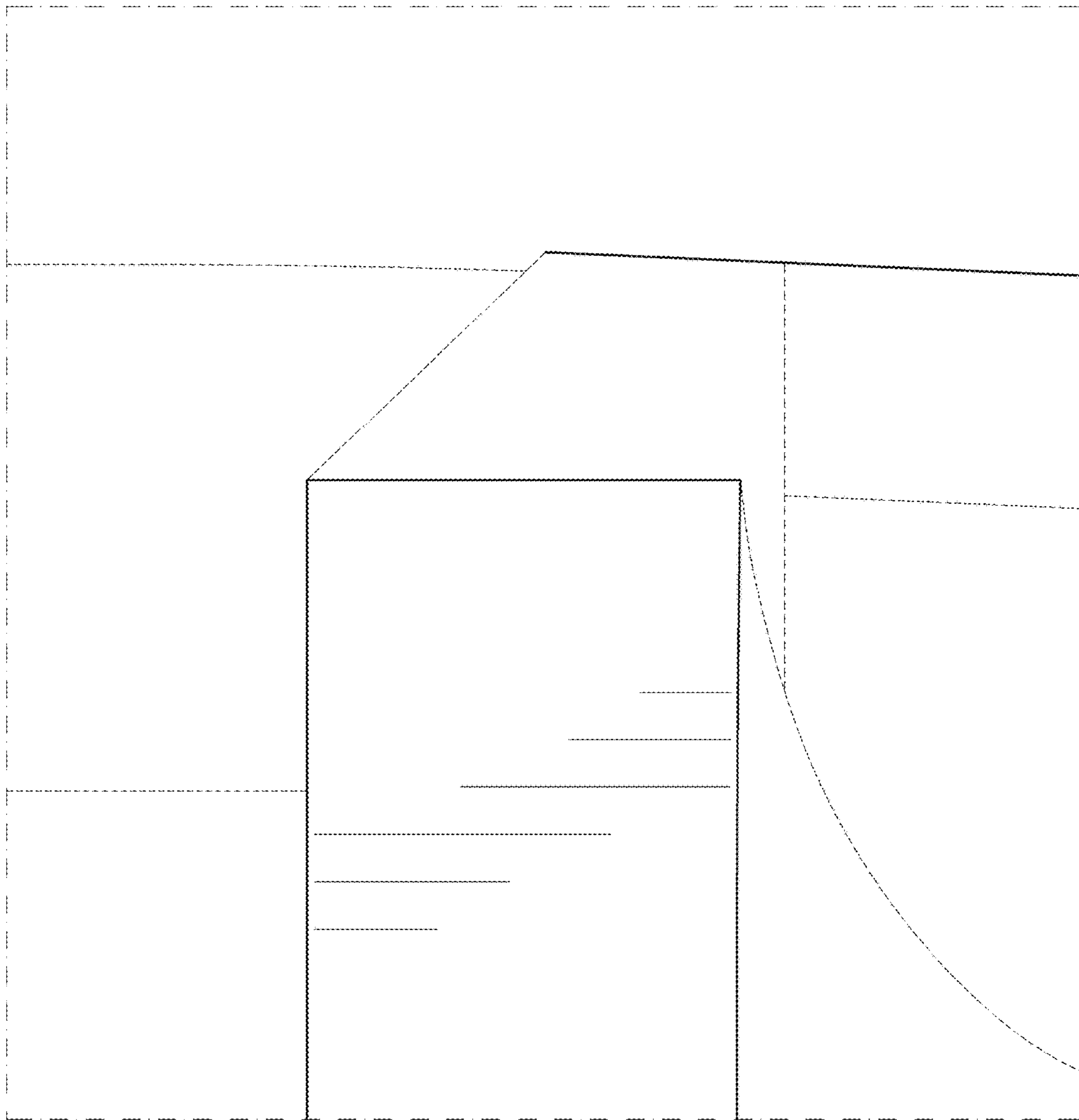


FIG. 11

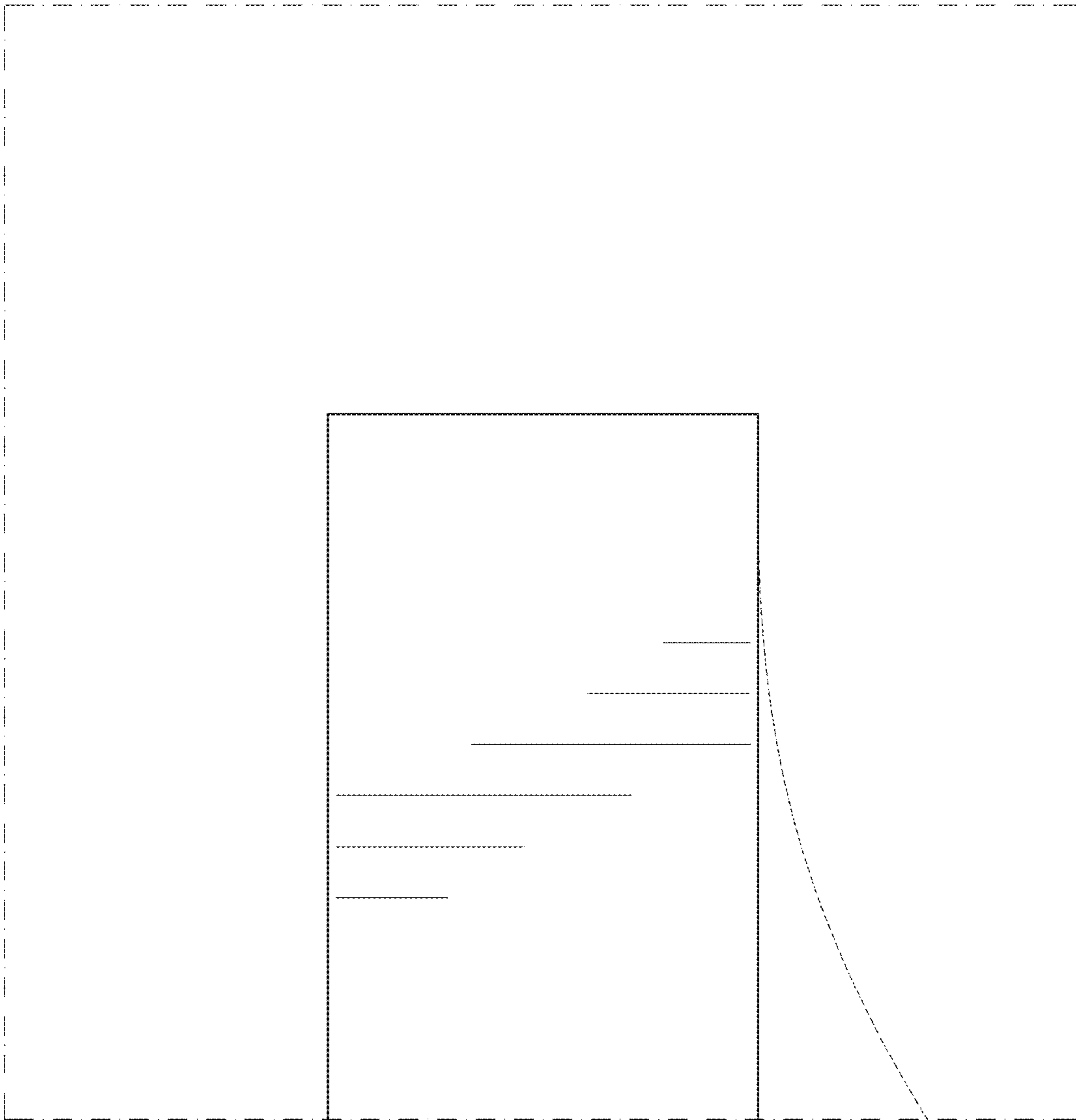


FIG. 12

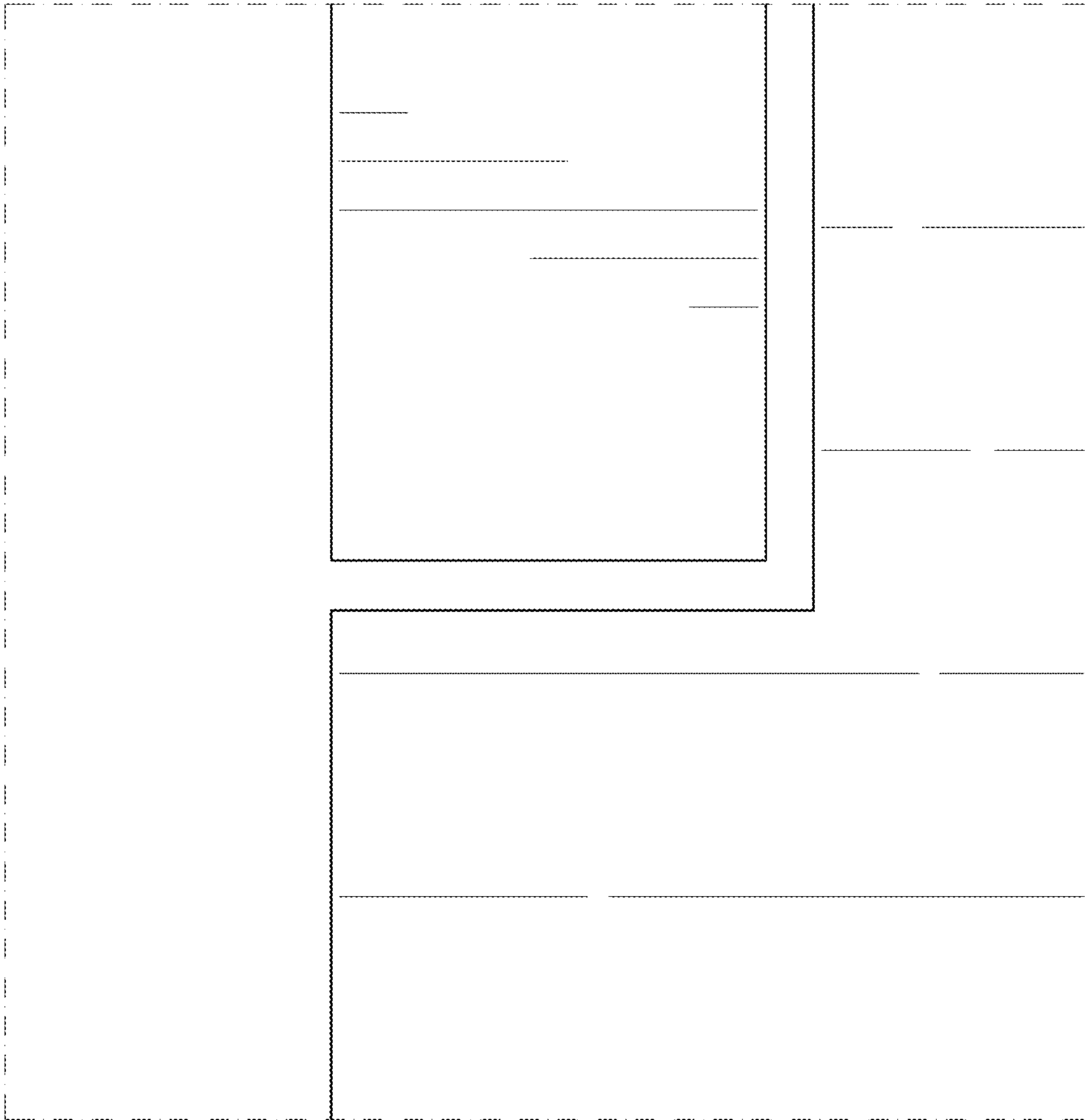


FIG. 13

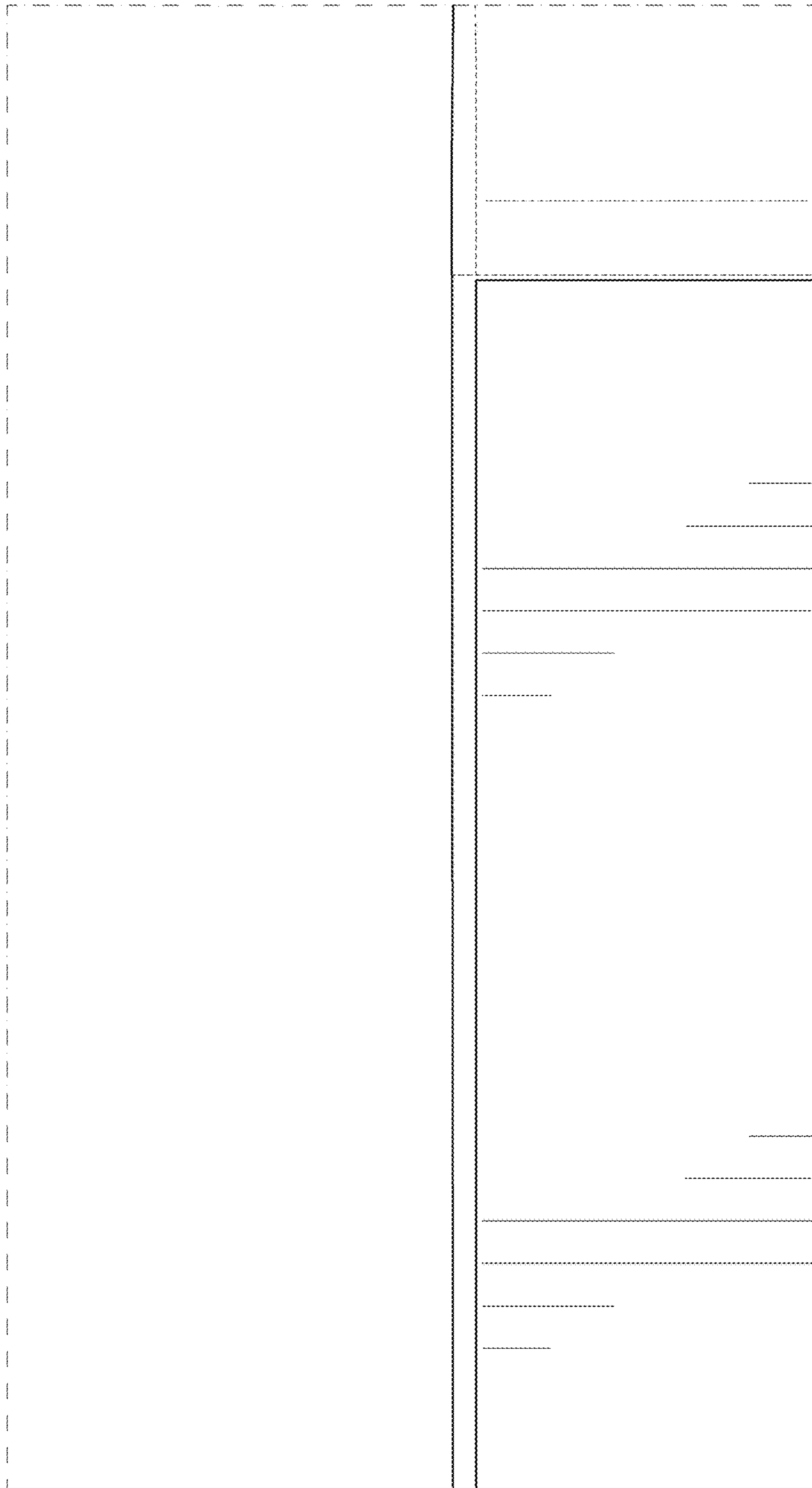


FIG. 14

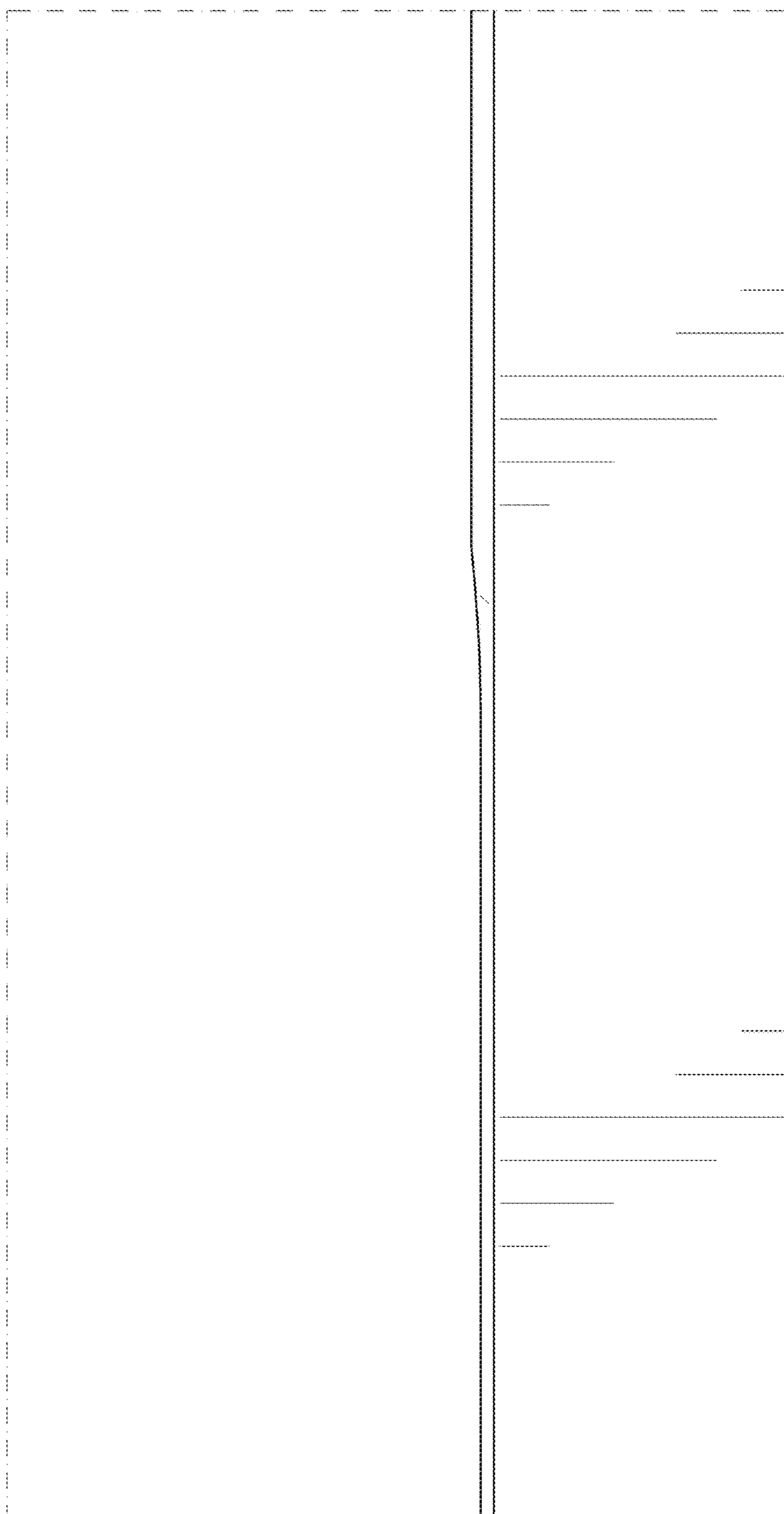


FIG. 15

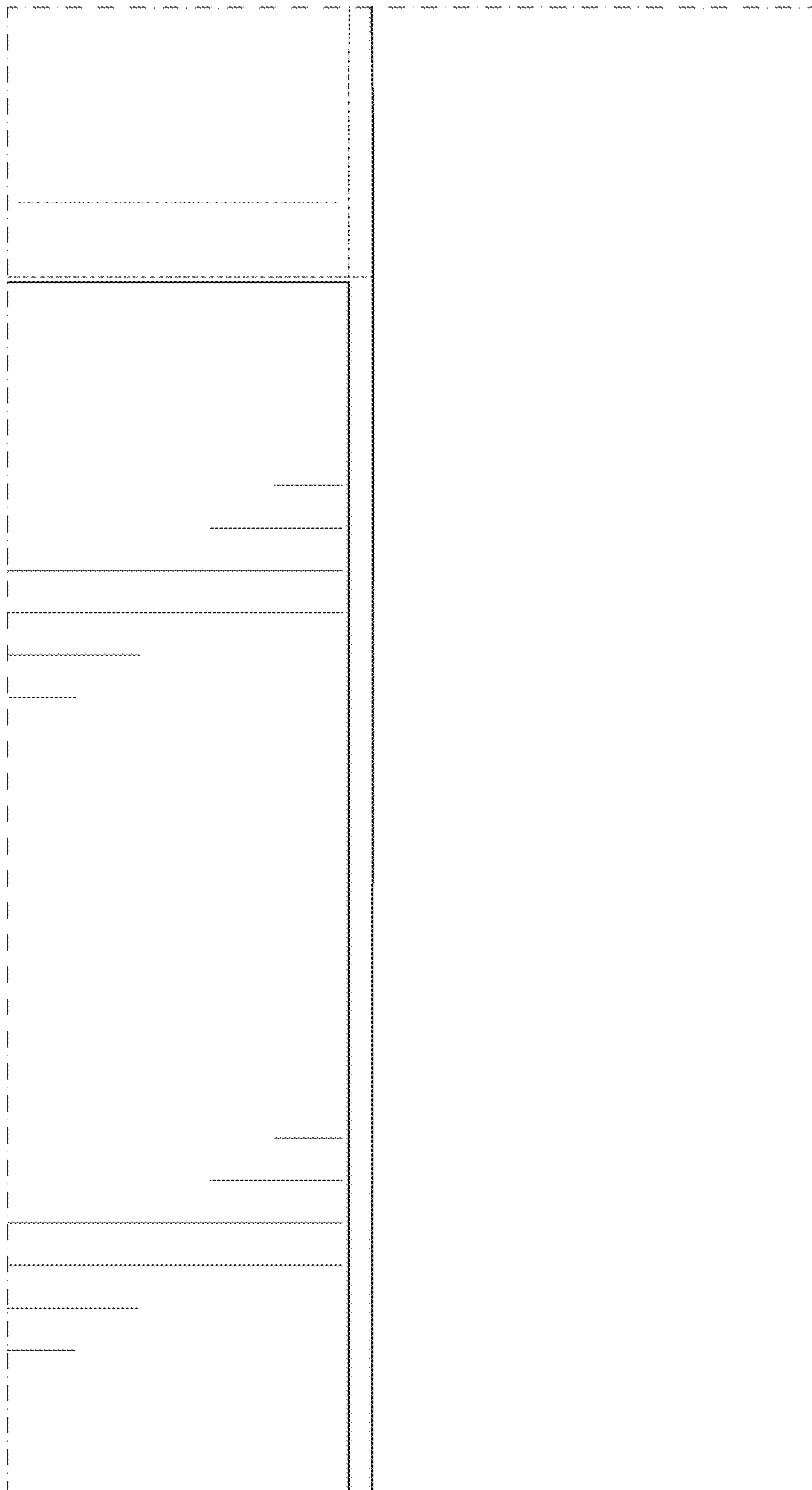


FIG. 16

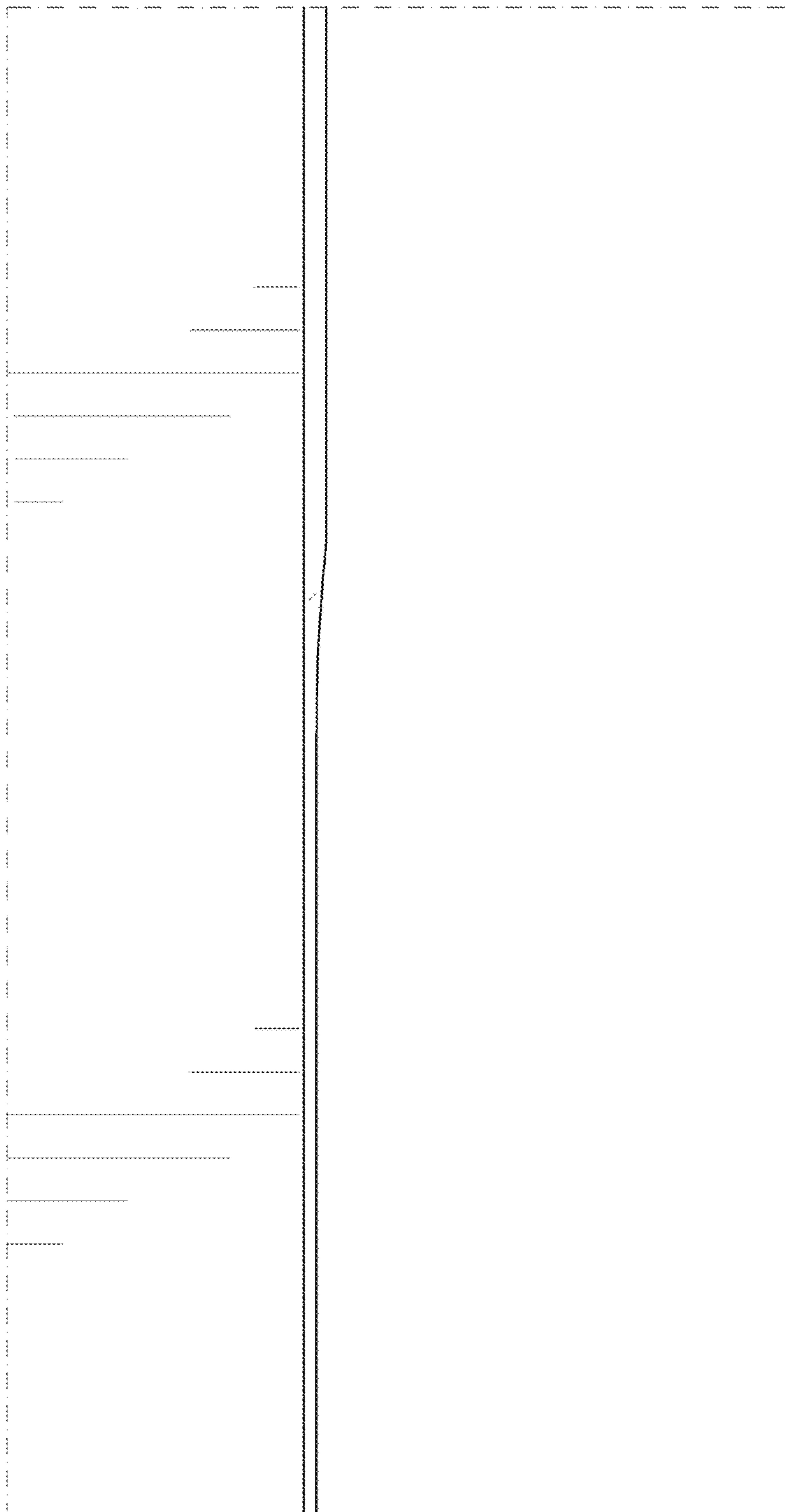


FIG. 17