



US00D894895S

(12) **United States Design Patent** (10) **Patent No.:** **US D894,895 S**  
**Tzou et al.** (45) **Date of Patent:** **\*\* Sep. 1, 2020**

(54) **NOTEBOOK COMPUTER**

FOREIGN PATENT DOCUMENTS

(71) Applicants: **Jyh-Chyang Tzou**, Taipei (TW);  
**Chun-Ting Lee**, Taipei (TW);  
**Yuan-Ping Chu**, Taipei (TW);  
**Yao-Hsien Yang**, Taipei (TW);  
**Pai-Feng Chen**, Taipei (TW)

JP D1555915 8/2016

(72) Inventors: **Jyh-Chyang Tzou**, Taipei (TW);  
**Chun-Ting Lee**, Taipei (TW);  
**Yuan-Ping Chu**, Taipei (TW);  
**Yao-Hsien Yang**, Taipei (TW);  
**Pai-Feng Chen**, Taipei (TW)

OTHER PUBLICATIONS

Arteck HB030B Universal Slim Keyboard | posted at amazon.com Jun. 2015 [online]. © 1996-2019, Amazon.com, Inc [retrieved Oct. 15, 2019] from Internet: <https://www.amazon.com/Arteck-HB030B-Universal-Bluetooth-Rechargeable/dp/B00X5P8BJO?ref\_=ast\_bbp\_dp> (Year: 2015).\*

(Continued)

(73) Assignee: **COMPAL ELECTRONICS, INC.**, Taipei (TW)

*Primary Examiner* — Sandra S Snapp  
*Assistant Examiner* — Katherine Glennon  
(74) *Attorney, Agent, or Firm* — JCIPRNET

(\*\*) Term: **15 Years**

(57) **CLAIM**

(21) Appl. No.: **29/629,567**

The ornamental design for a notebook computer, as shown and described.

(22) Filed: **Dec. 14, 2017**

**DESCRIPTION**

(51) **LOC (12) Cl.** ..... **14-02**

(52) **U.S. Cl.**  
USPC ..... **D14/315**

(58) **Field of Classification Search**  
USPC ..... D14/315–327, 333–335, 373–376, 390,  
D14/392, 394, 455–457  
CPC ..... G06F 1/1616; G06F 1/1618; G06F 1/162;  
G06F 1/1624; H05K 5/0234; H05K  
5/0017; H05K 5/0226  
See application file for complete search history.

FIG. 1 is a perspective view of a notebook computer showing our new design;  
FIG. 2 is a front view thereof;  
FIG. 3 is a left side view thereof;  
FIG. 4 is a right side view thereof;  
FIG. 5 is a top view thereof;  
FIG. 6 is an enlarged view of the portion indicated in FIG. 1;  
FIG. 7 is an enlarged view of the portion indicated in FIG. 1;  
FIG. 8 is an enlarged view of the portion indicated in FIG. 3; and,  
FIG. 9 is an enlarged view of the portion indicated in FIG. 3.  
The broken lines shown in the drawings illustrate portions of the notebook computer that form no part of the claimed design. The dot-dot-dashed lines define the bounds of the claimed design and form no part thereof.

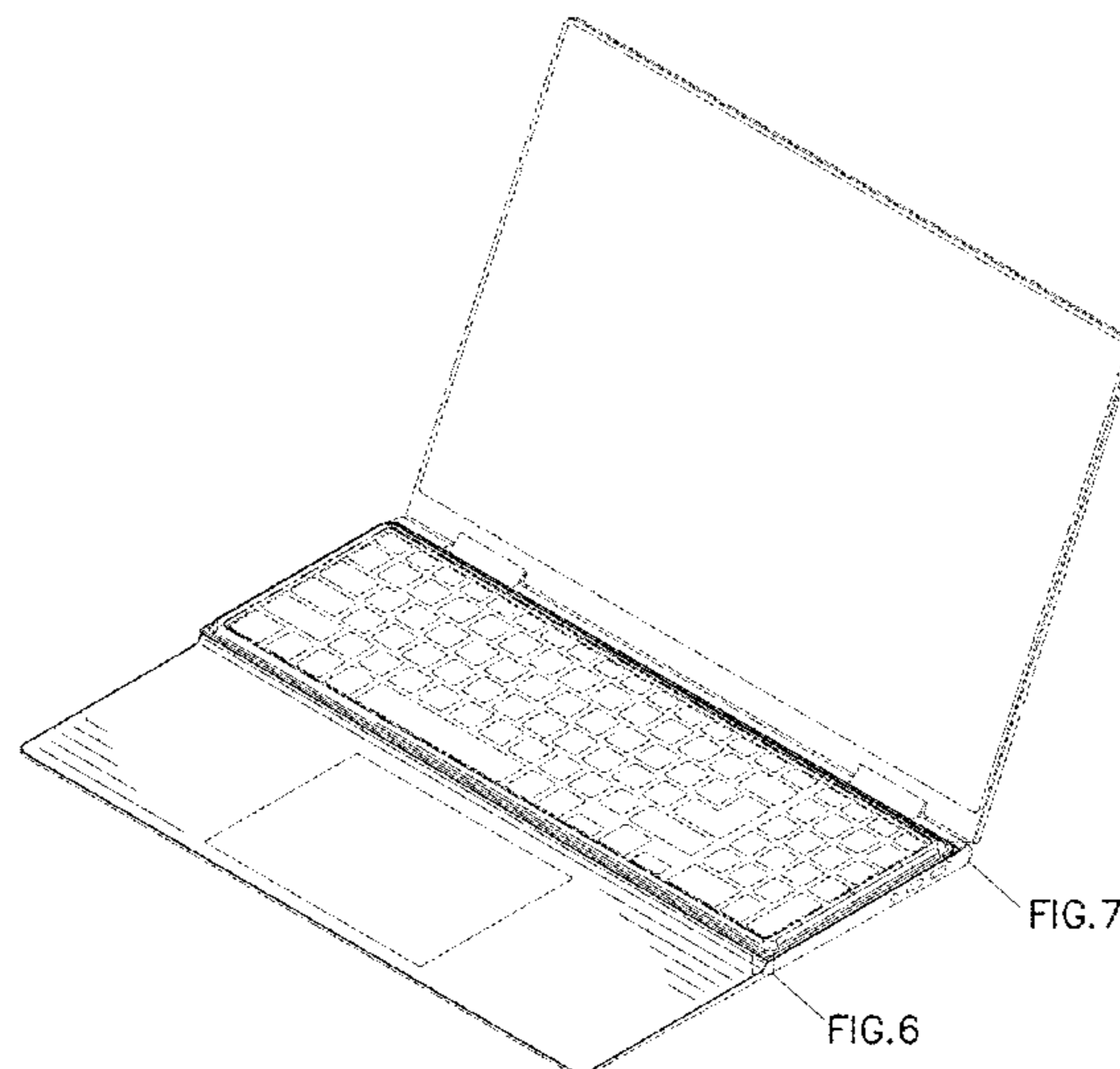
(56) **References Cited**

U.S. PATENT DOCUMENTS

1,006,895 A \* 10/1911 Albree ..... B23B 31/1074  
279/97  
D277,484 S \* 2/1985 Dickinson ..... D14/333  
D310,518 S \* 9/1990 Dezes ..... D14/329  
D351,831 S \* 10/1994 Kuzumoto ..... D14/392  
D355,902 S \* 2/1995 Iino ..... D14/392

(Continued)

**1 Claim, 9 Drawing Sheets**



(56)

**References Cited**

U.S. PATENT DOCUMENTS

D421,972 S \* 3/2000 Makidera ..... D14/316  
6,327,141 B2 \* 12/2001 Kim ..... G06F 1/1656  
361/679.26  
D611,047 S \* 3/2010 Smith ..... D14/307  
D614,181 S \* 4/2010 Smith ..... D14/331  
D701,200 S \* 3/2014 Chen ..... D14/318  
D717,299 S \* 11/2014 Kirpalani ..... D14/391  
D744,492 S \* 12/2015 Lin ..... G06F 1/1632  
D14/440  
D756,365 S \* 5/2016 Huang ..... D14/447  
2013/0322026 A1 \* 12/2013 Huang ..... H05K 7/02  
361/728  
2019/0212790 A1 \* 7/2019 Chen ..... G06F 3/038

OTHER PUBLICATIONS

“Office Action of Taiwan Counterpart Application,” dated Mar. 28, 2019, p. 1-p. 3.

\* cited by examiner

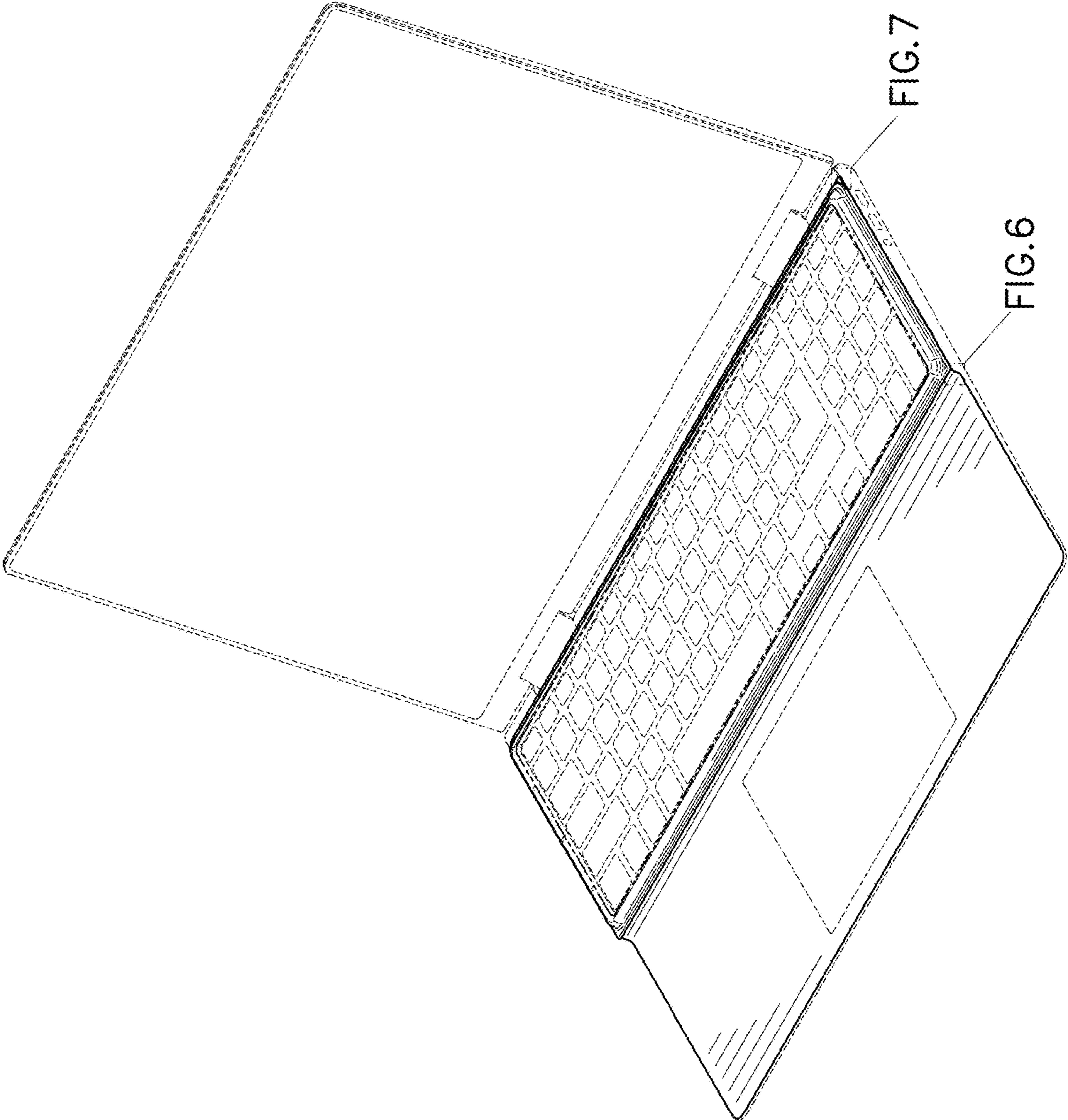


FIG. 1

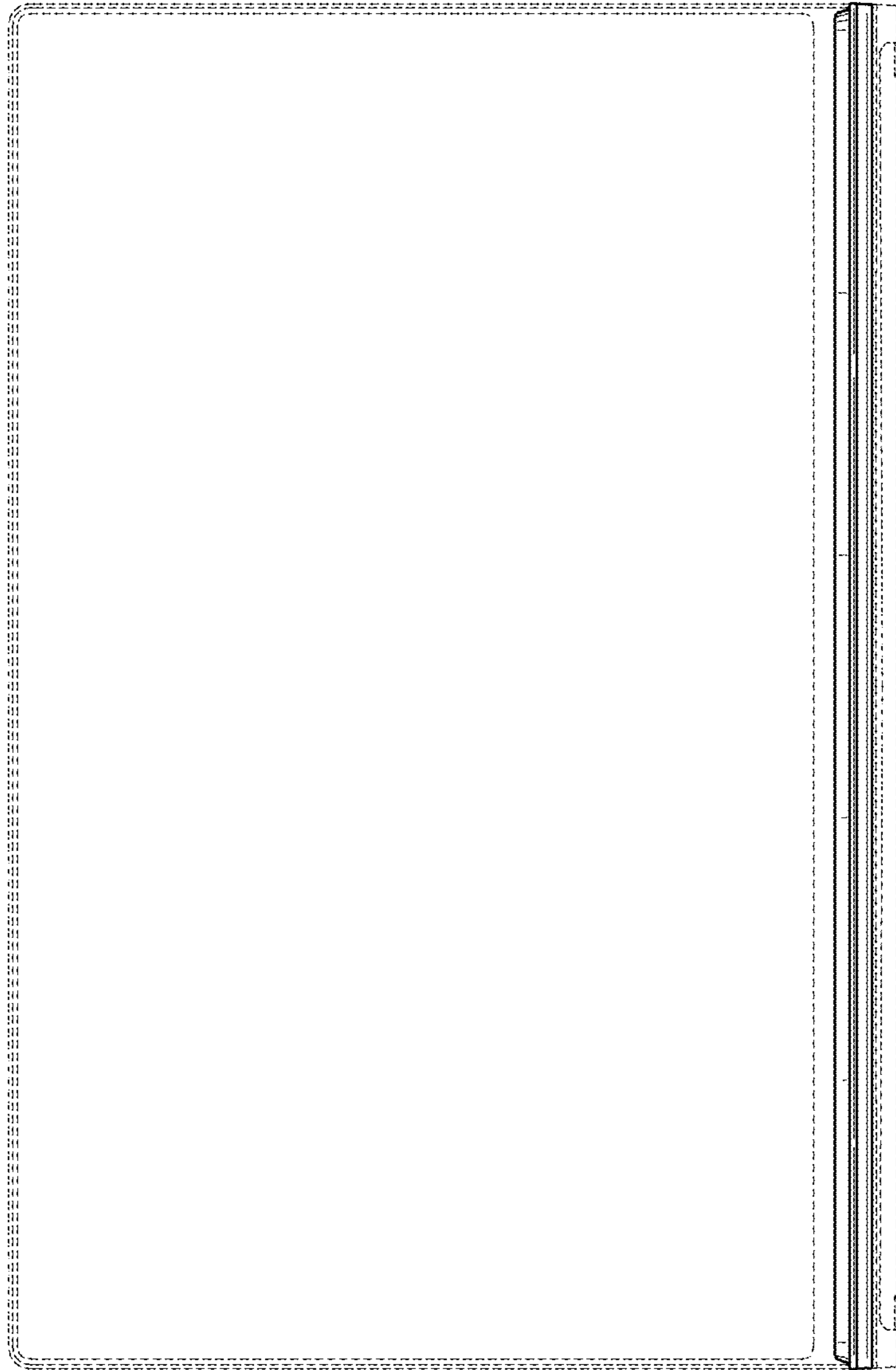


FIG. 2

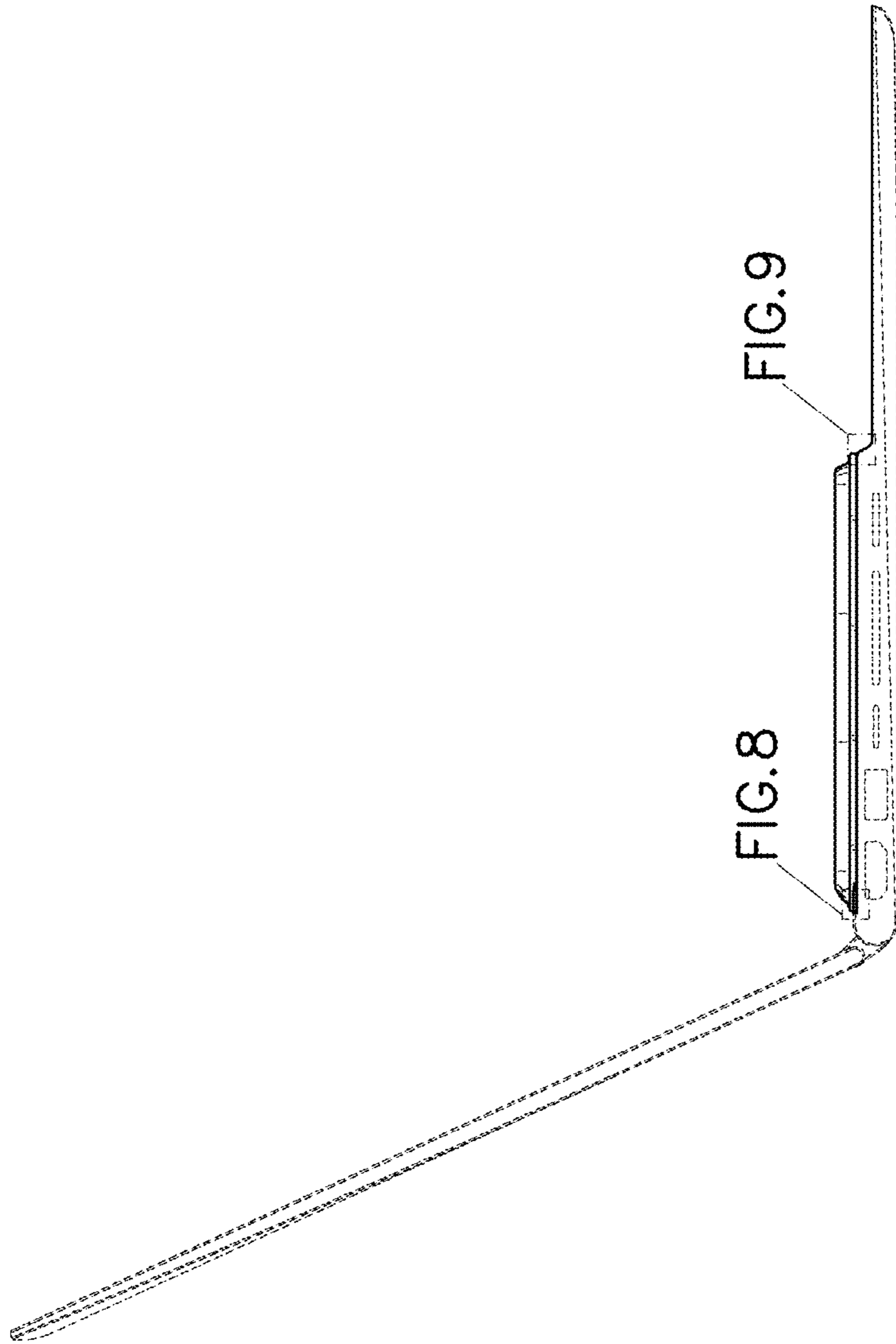


FIG. 3

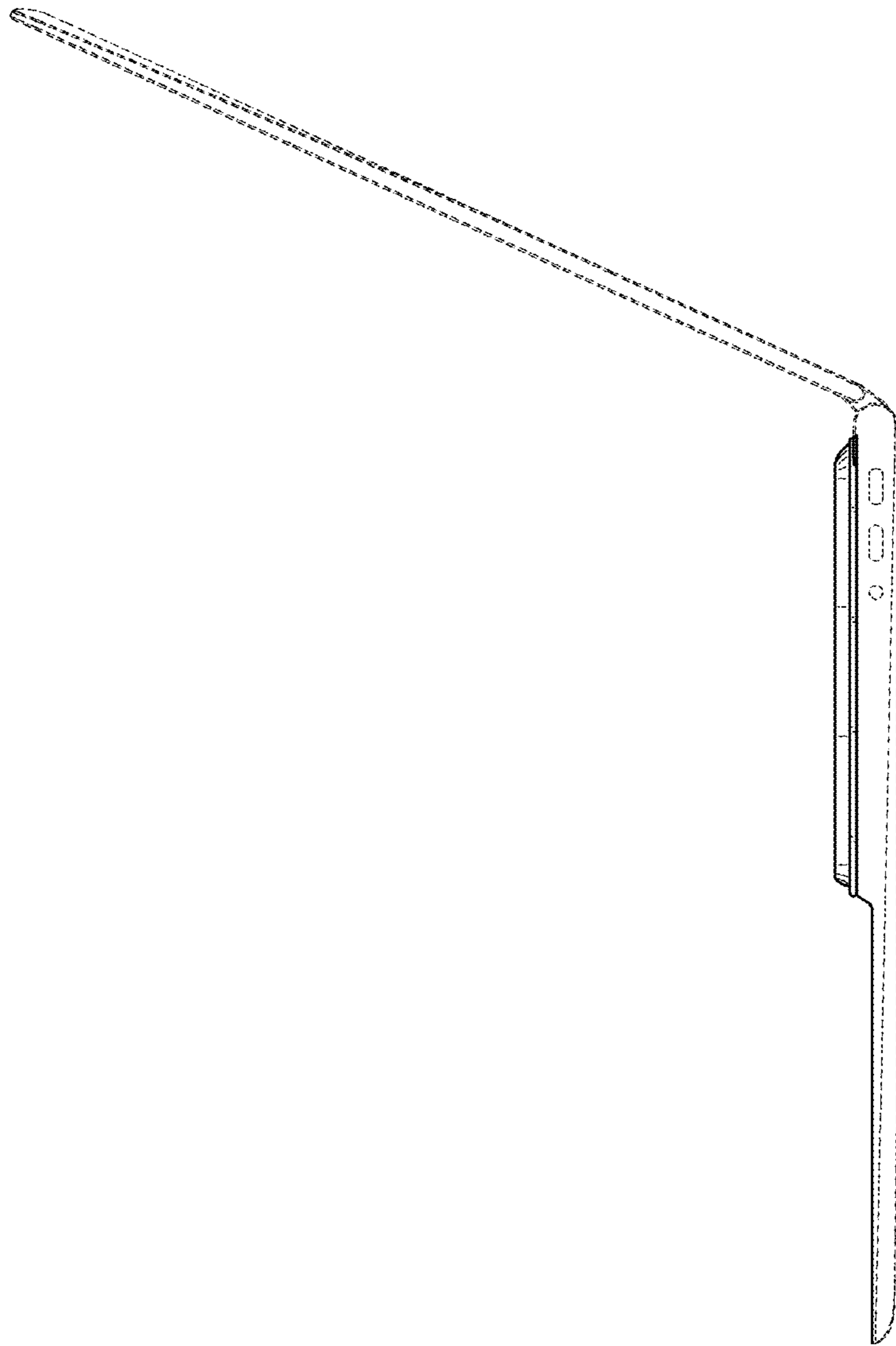


FIG. 4

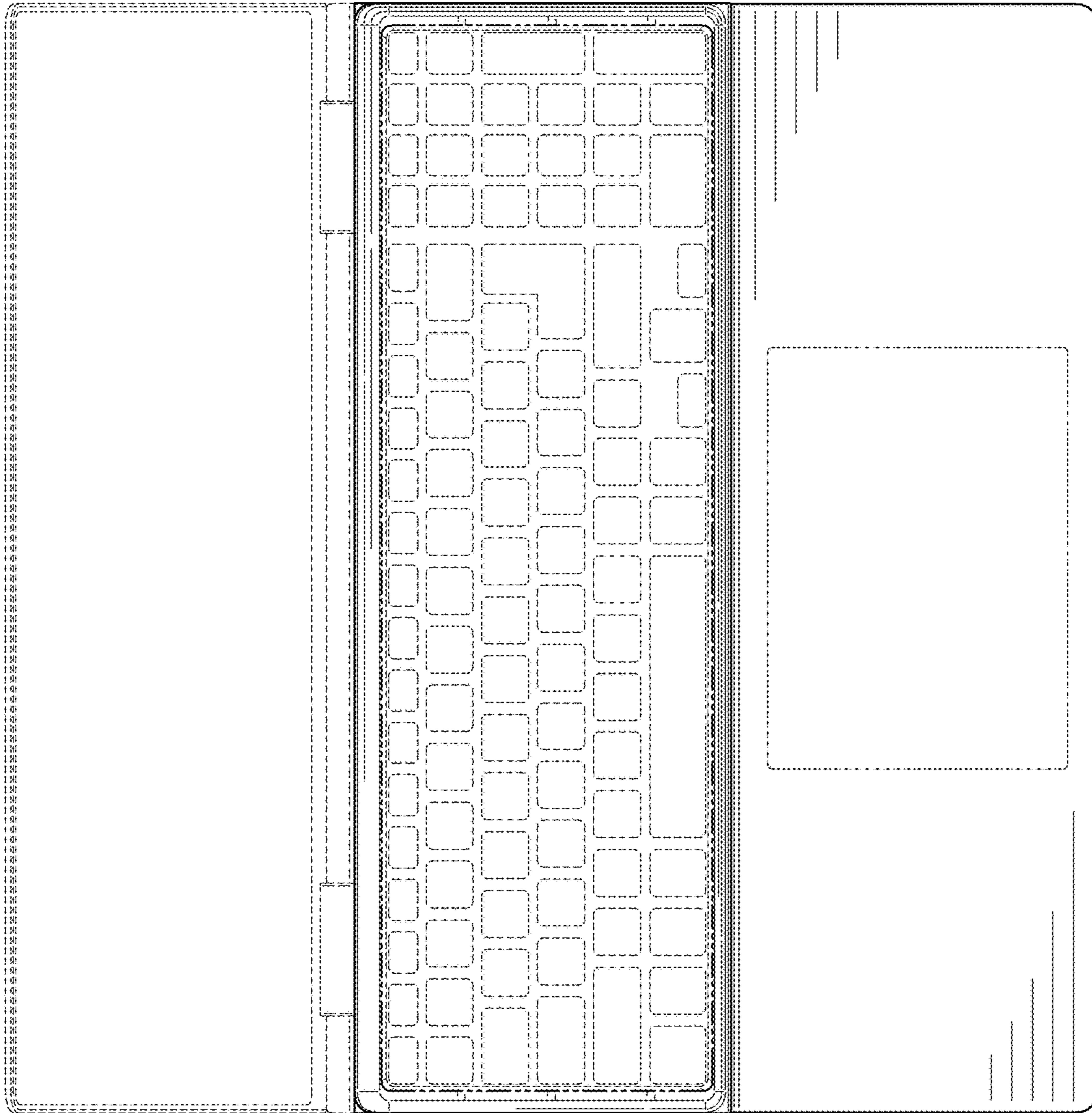


FIG. 5

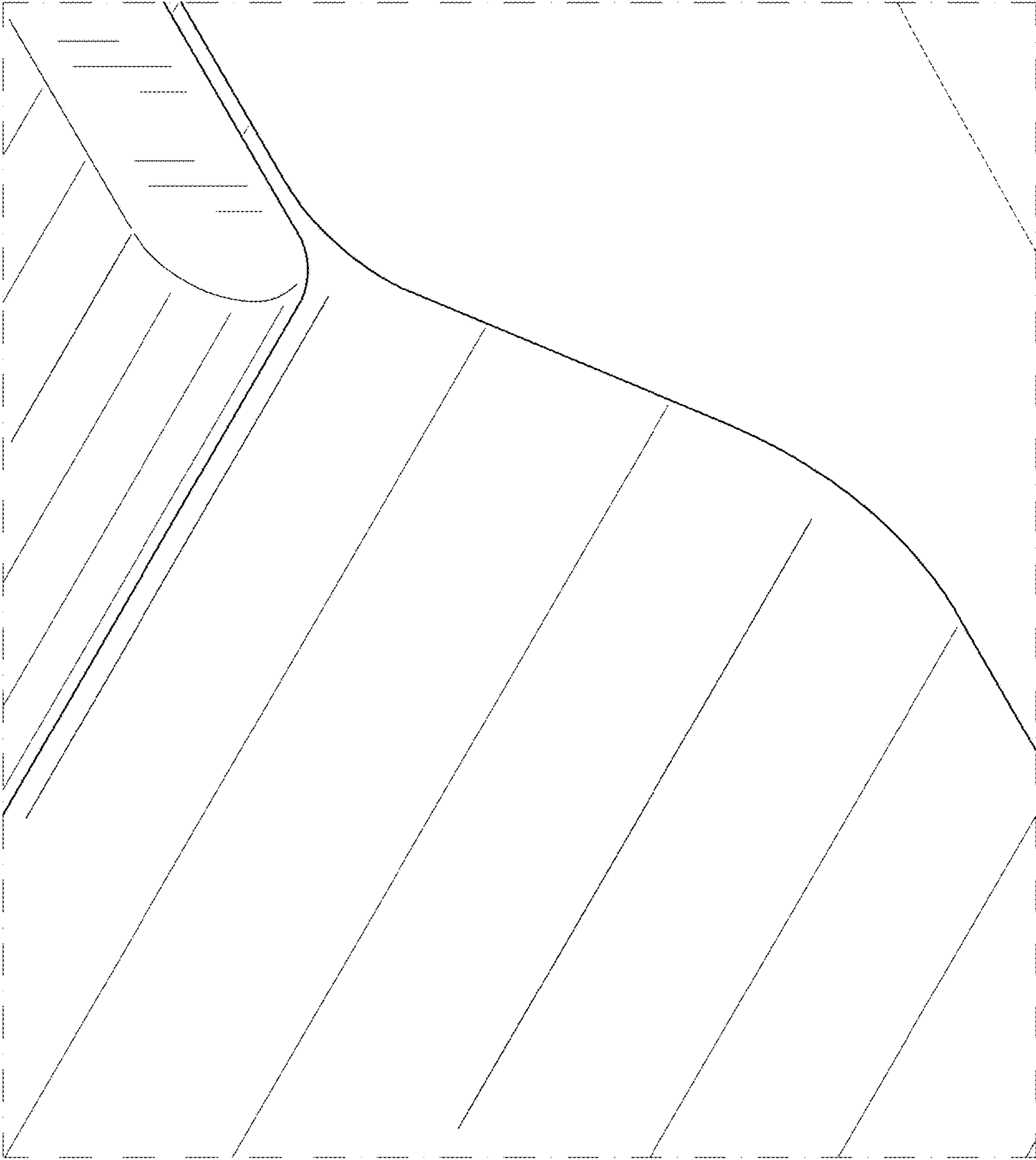


FIG. 6



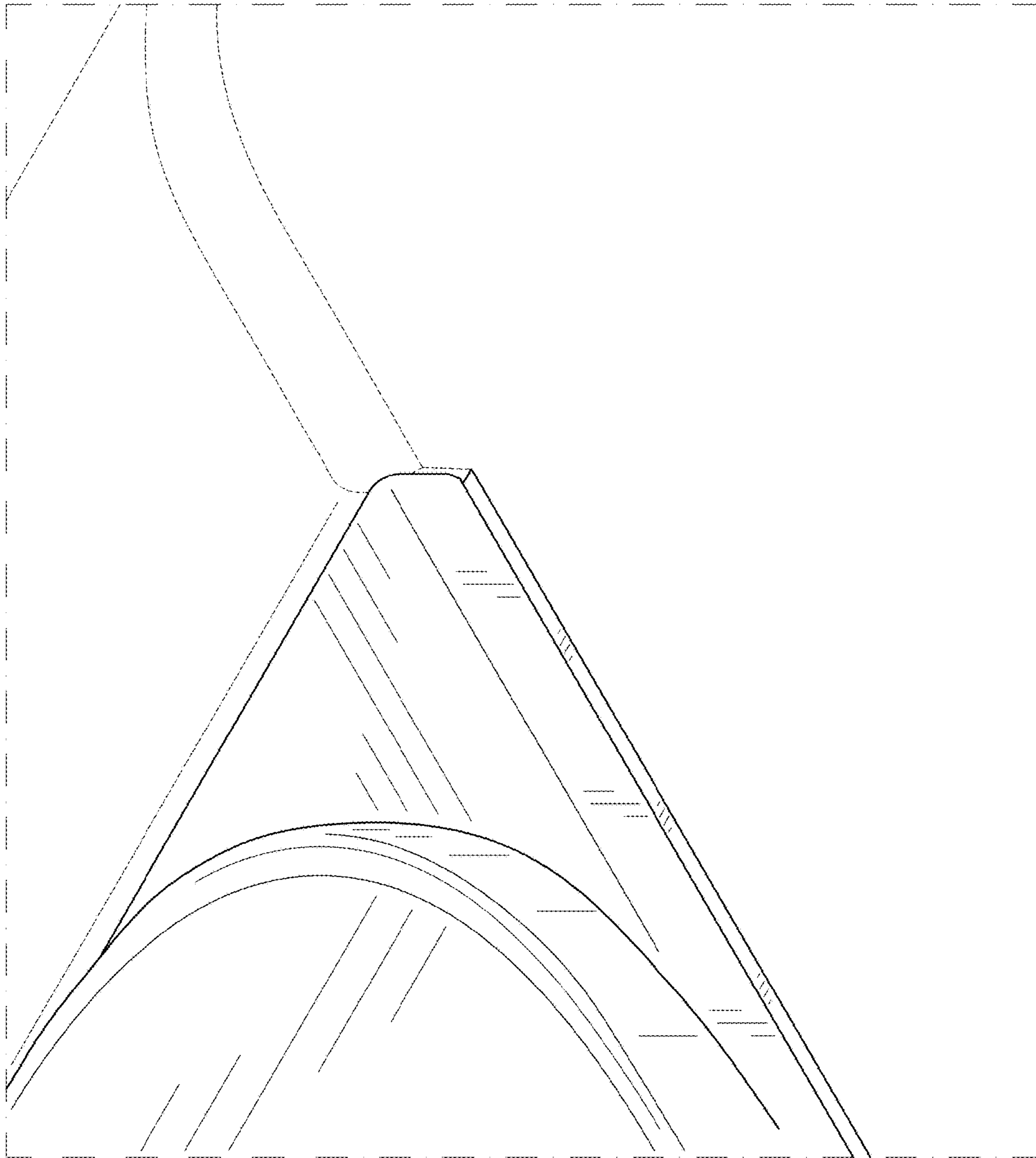


FIG. 7

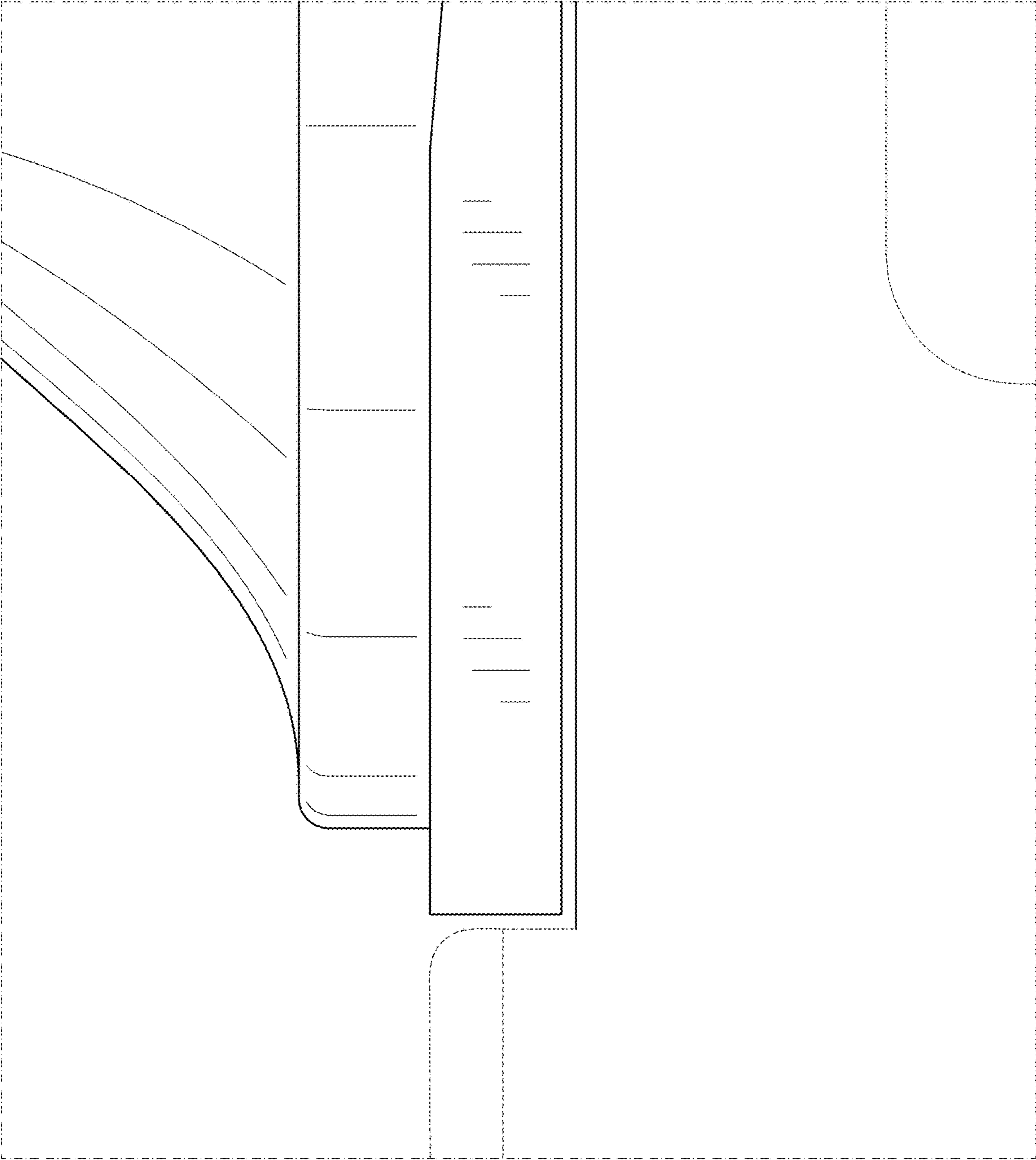


FIG. 8

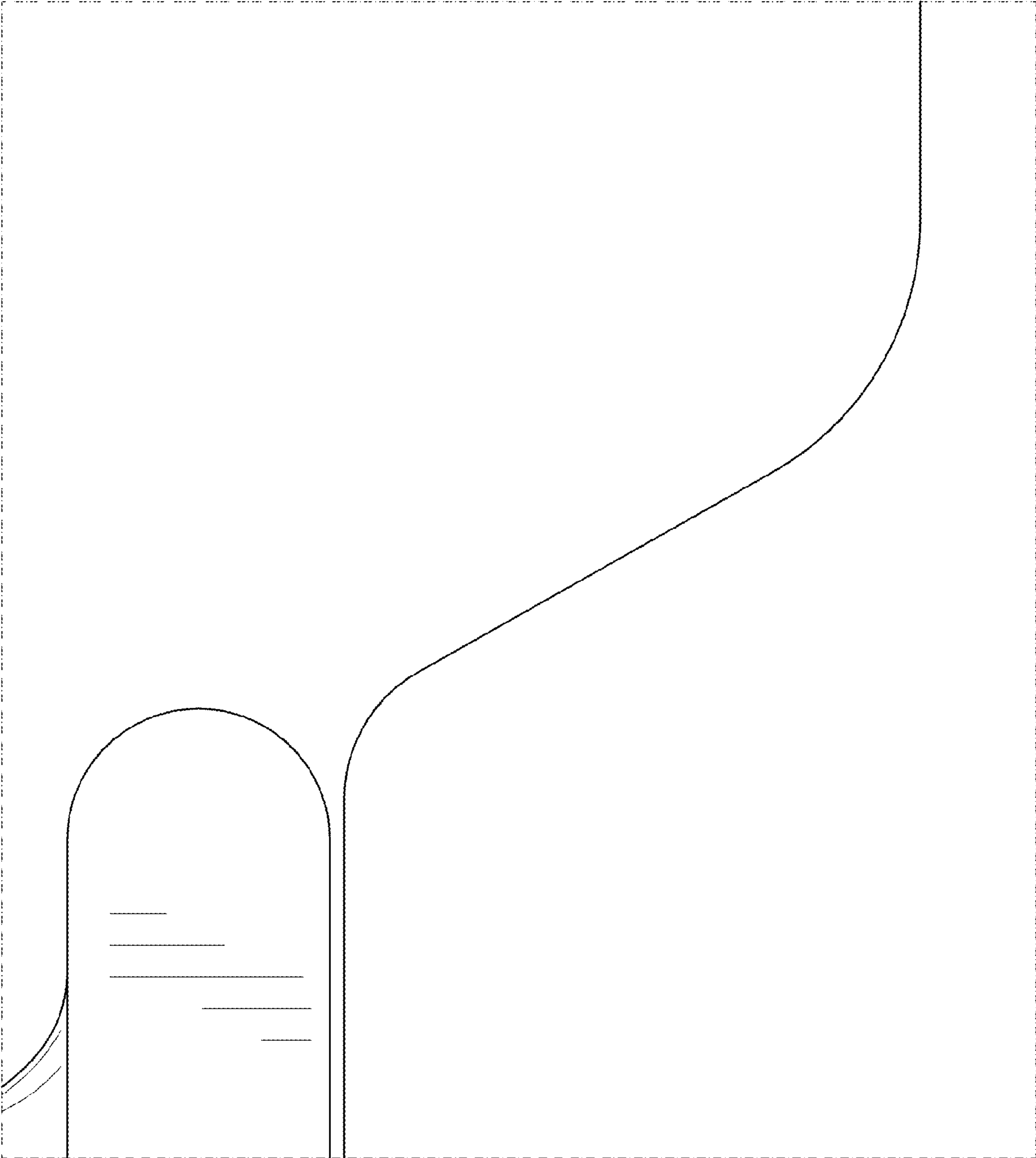


FIG. 9