

US00D894893S

(12) **United States Design Patent** (10) **Patent No.:** **US D894,893 S**
Ruggiero et al. (45) **Date of Patent:** **** Sep. 1, 2020**

(54) **SINGLE-SIDED KIOSK SYSTEM**
(71) Applicant: **Innovative Strollers, LLC**, Clayton, NJ (US)
(72) Inventors: **Richard Ruggiero**, Sewell, NJ (US); **Gregory Ruggiero**, Sewell, NJ (US); **Matthew Marino**, Mullica Hill, NJ (US)
(73) Assignee: **INNOVATIVE STROLLERS LLC**, Clayton, NJ (US)

3,978,959 A 9/1976 Muellner
4,009,891 A 3/1977 Jensen
4,381,870 A 5/1983 Muellner
4,450,968 A 5/1984 Muellner
(Continued)

FOREIGN PATENT DOCUMENTS

CN 2875408 Y 3/2007
CN 202191023 U 4/2012
(Continued)

OTHER PUBLICATIONS

“4 wheeled trolley cart”, <https://www.amazon.com/WPCBAA-Universal-Four-Wheel-Retractable-Load-Bearing/dp/B07RB12R5L>, 2020.
(Continued)

(**) Term: **15 Years**
(21) Appl. No.: **29/731,812**
(22) Filed: **Apr. 17, 2020**

Related U.S. Application Data

(62) Division of application No. 29/672,228, filed on Dec. 4, 2018.
(51) **LOC (12) Cl.** **14-02**
(52) **U.S. Cl.**
USPC **D14/307**
(58) **Field of Classification Search**
USPC D14/302-307, 900-902; D13/163; D20/10; D21/332, 325, 369, 370; D99/28; D6/397, 466; 194/206; 361/679.01, 679.02, 679.04, 679.21, 361/679.57, 725
CPC G06Q 20/18; G06Q 20/10; G06Q 20/123; G06Q 20/20; G06Q 30/02; G06Q 30/06; A47F 9/047
See application file for complete search history.

Primary Examiner — Austin Murphy
(74) *Attorney, Agent, or Firm* — Fox Rothschild LLP

(57) **CLAIM**

The ornamental design for a single-sided kiosk system, as shown and described.

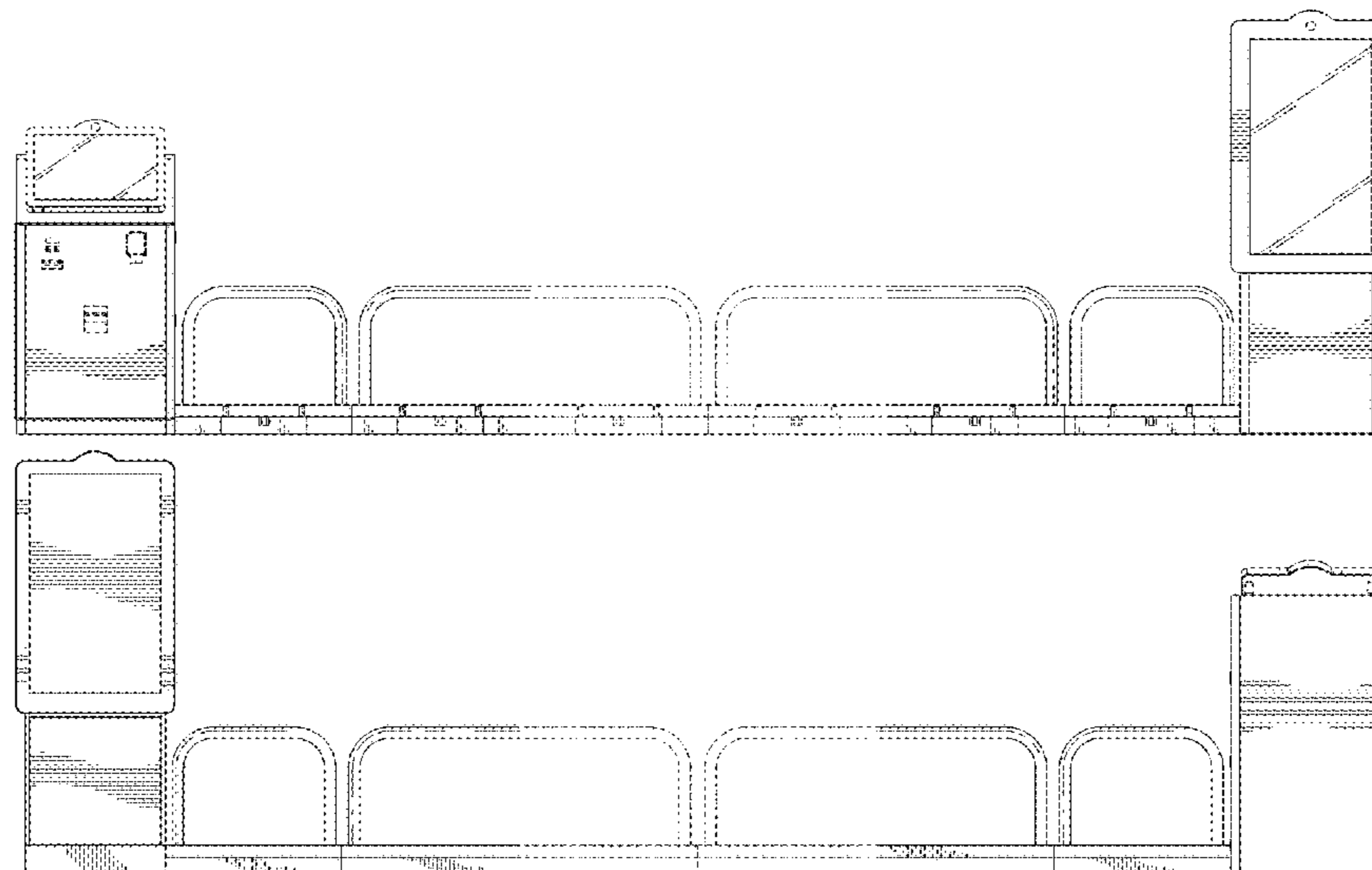
DESCRIPTION

FIG. 1 is a front perspective view of the single-sided kiosk system showing the new design with a plurality of center modular components;
FIG. 2 is a rear perspective view thereof;
FIG. 3 is a front view thereof;
FIG. 4 is a rear view thereof;
FIG. 5 is a left-side view thereof;
FIG. 6 is a right-side view thereof;
FIG. 7 is a top view thereof; and,
FIG. 8 is a bottom view thereof.
The broken lines in the drawings depict portions of the single-sided kiosk system that form no part of the claimed design.

(56) **References Cited**
U.S. PATENT DOCUMENTS

3,102,648 A 9/1963 Hughes et al.
3,948,379 A 4/1976 Warner
3,978,659 A 9/1976 Smith et al.

1 Claim, 6 Drawing Sheets



(56)

References Cited

U.S. PATENT DOCUMENTS

4,538,719 A 9/1985 Gray et al.
 D289,578 S 4/1987 Ruffin
 D302,063 S 7/1989 Frazier et al.
 5,149,114 A 9/1992 Lewandowski et al.
 D331,135 S 11/1992 Lewandowski et al.
 5,526,916 A 6/1996 Amdahl et al.
 D396,918 S 8/1998 Golichowski et al.
 5,921,373 A 7/1999 Amdahl et al.
 6,024,203 A 2/2000 Amdahl et al.
 6,125,985 A 10/2000 Amdahl et al.
 6,142,283 A 11/2000 Amdahl et al.
 6,250,451 B1 6/2001 Thirkill
 D470,895 S * 2/2003 Cole D21/325
 D531,375 S 10/2006 Lauer et al.
 D566,702 S 4/2008 Malone et al.
 D607,948 S 1/2010 de Viveiros Ortiz
 D611,047 S 3/2010 Smith et al.
 7,748,511 B1 7/2010 Maher
 7,794,014 B2 9/2010 Beall et al.
 D626,544 S 11/2010 Bleck et al.
 D658,721 S * 5/2012 Yang D21/326
 8,272,491 B2 9/2012 Khairallah et al.
 8,613,385 B1 12/2013 Hulet et al.
 D708,676 S 7/2014 Ballman et al.
 D709,264 S * 7/2014 Lee D99/28
 D716,792 S 11/2014 Raymonde Looze
 D749,290 S * 2/2016 Pollmann D99/28
 D752,573 S * 3/2016 Ballman D14/307
 D756,064 S * 5/2016 Budde D99/28
 9,418,345 B1 8/2016 Meehan et al.
 9,471,918 B1 10/2016 Krampe et al.
 D782,465 S 3/2017 Chen et al.
 D808,380 S * 1/2018 Dillon D14/307
 D809,068 S * 1/2018 Ballman D21/369
 D809,069 S * 1/2018 Ballman D21/369
 9,904,917 B2 2/2018 Ruggiero et al.
 D828,348 S 9/2018 Lee et al.
 D841,643 S * 2/2019 Dillon D14/307
 D843,366 S * 3/2019 Koltsov D14/307

D871,498 S * 12/2019 Kim D18/3.1
 2005/0101891 A1 5/2005 Dehli
 2006/0103194 A1 5/2006 Thalheimer
 2007/0040652 A1 2/2007 Quatro
 2007/0205277 A1* 9/2007 Tashiro G07G 3/006
 235/383
 2008/0072509 A1 3/2008 Eberhardt
 2008/0185888 A1 8/2008 Beall et al.
 2011/0011930 A1 1/2011 Starr et al.
 2011/0052357 A1 3/2011 Torrison
 2012/0310425 A1 12/2012 Kang
 2013/0030998 A1 1/2013 Colley et al.
 2013/0046197 A1 2/2013 Dlugos, Jr. et al.
 2015/0057837 A1 2/2015 Moore, Jr.
 2015/0356801 A1 12/2015 Nitu et al.

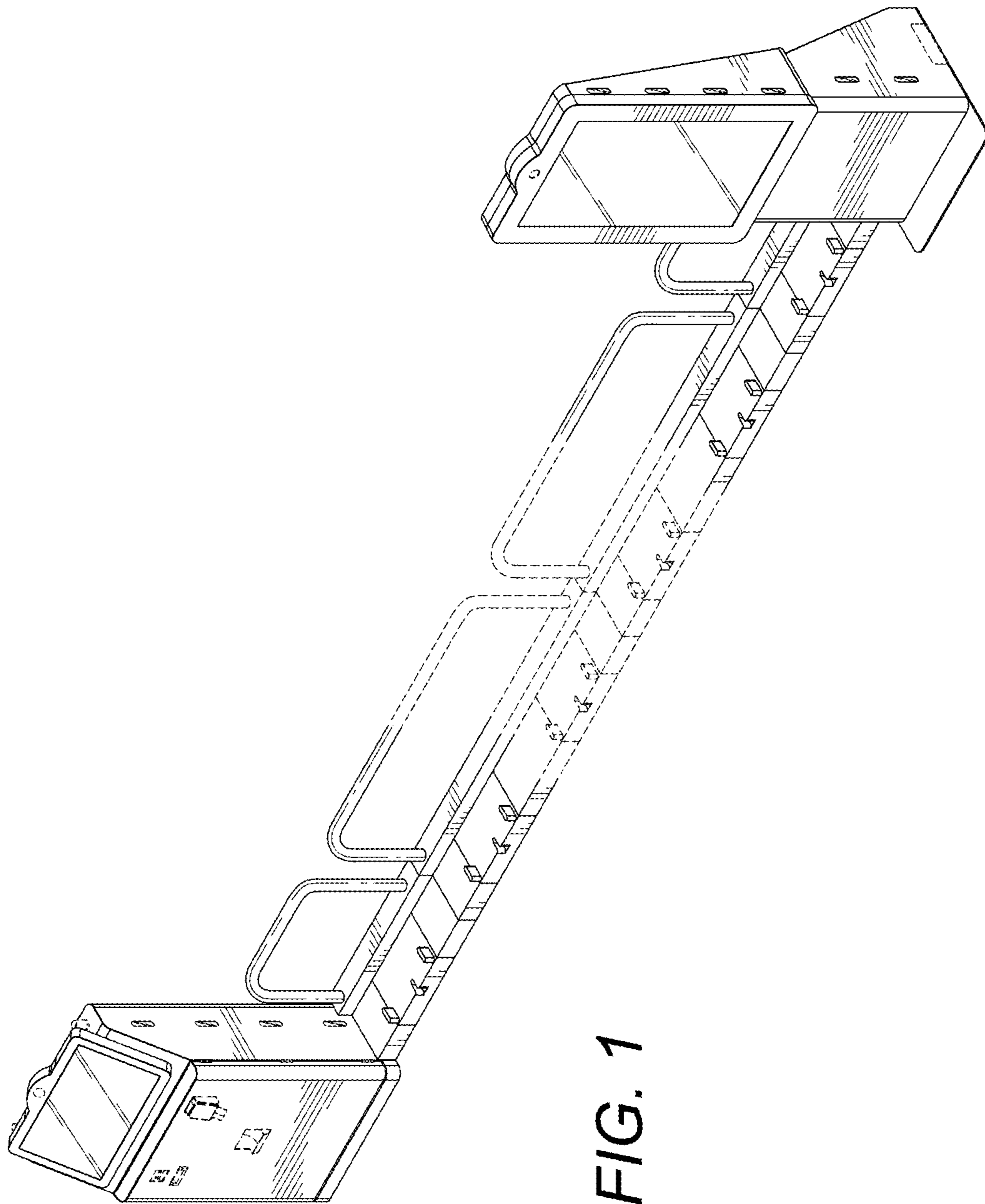
FOREIGN PATENT DOCUMENTS

CN 203318207 U 12/2013
 CN 105701656 A 6/2016
 DE 202004017141 U1 1/2005
 ES 2401012 A1 4/2013
 JP 2000264213 A 9/2000
 JP 2017049777 3/2017
 JP 2019051840 A 4/2019
 KR 101197587 B1 11/2012
 WO 2013/045728 4/2013

OTHER PUBLICATIONS

Mitchell et al "Wheelchairs: What life care planners should know."
 Inn: Journal of Life Care Planning. 2005 Retrieved on Feb. 29, 2020
 from <<http://www.figededucation.com/nlcp/resources/section-1/Wheelchairs%20what%20OLCP%20Should%20know.pdf>>.
 Osaki OS-7200H Ultra Curve 3D Deluxe Zero gravity Massage
 Chair, Mar. 18, 2014, <<http://www.themassagechair.com>>, themassagechair.com <<http://themassagechair.com>>.
 "The Charger Chair", Mar. 17, 2014, <<http://www.personal.psu.edu/cjz5033/charger%20chair%20concept.html>>.

* cited by examiner



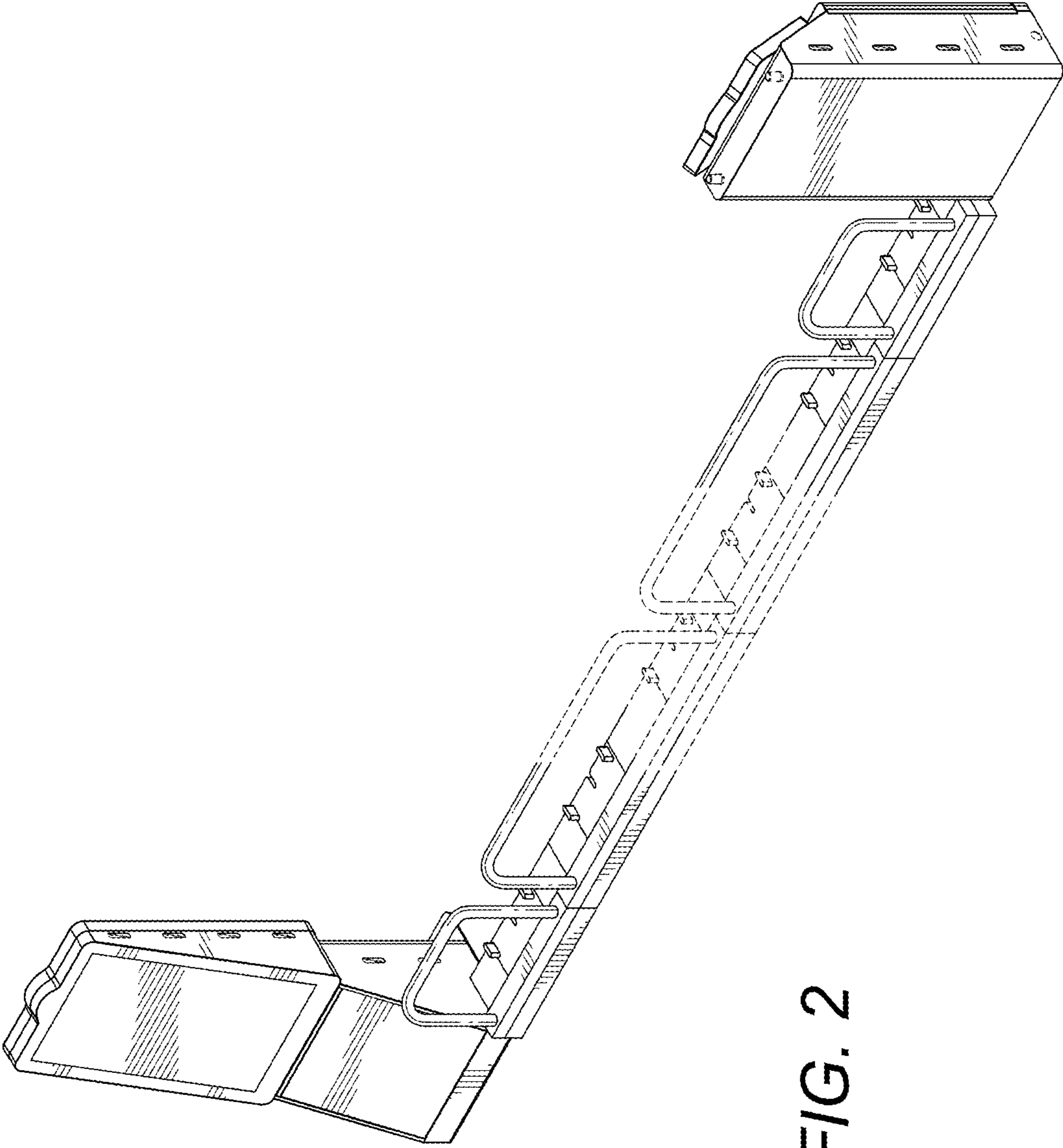


FIG. 2

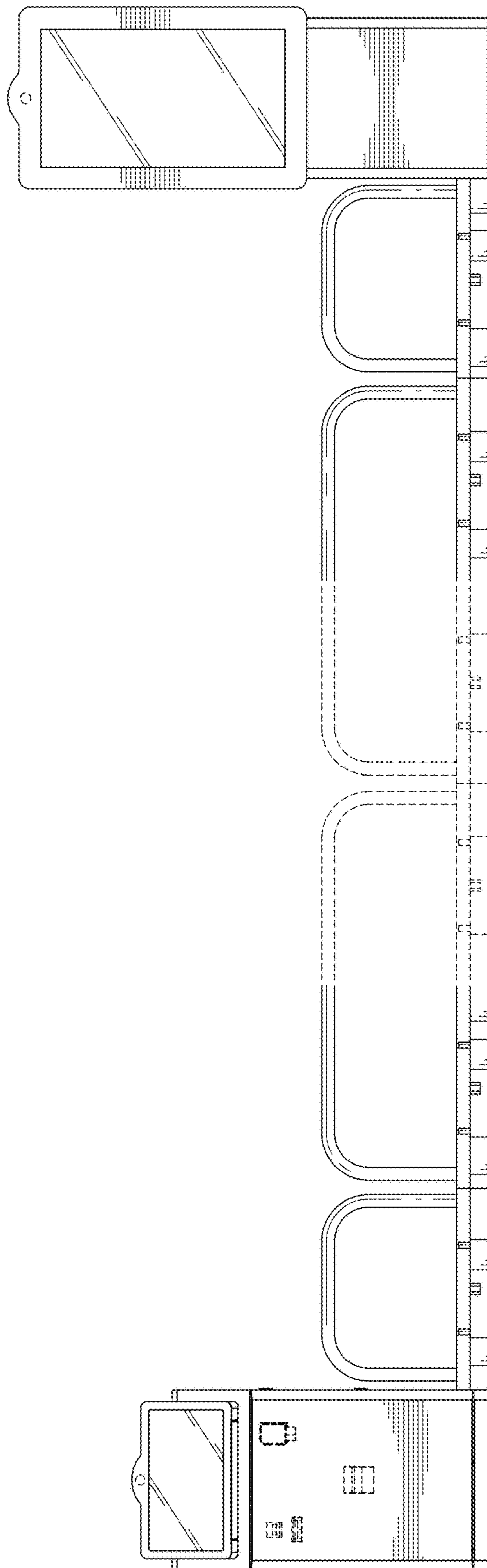


FIG. 3

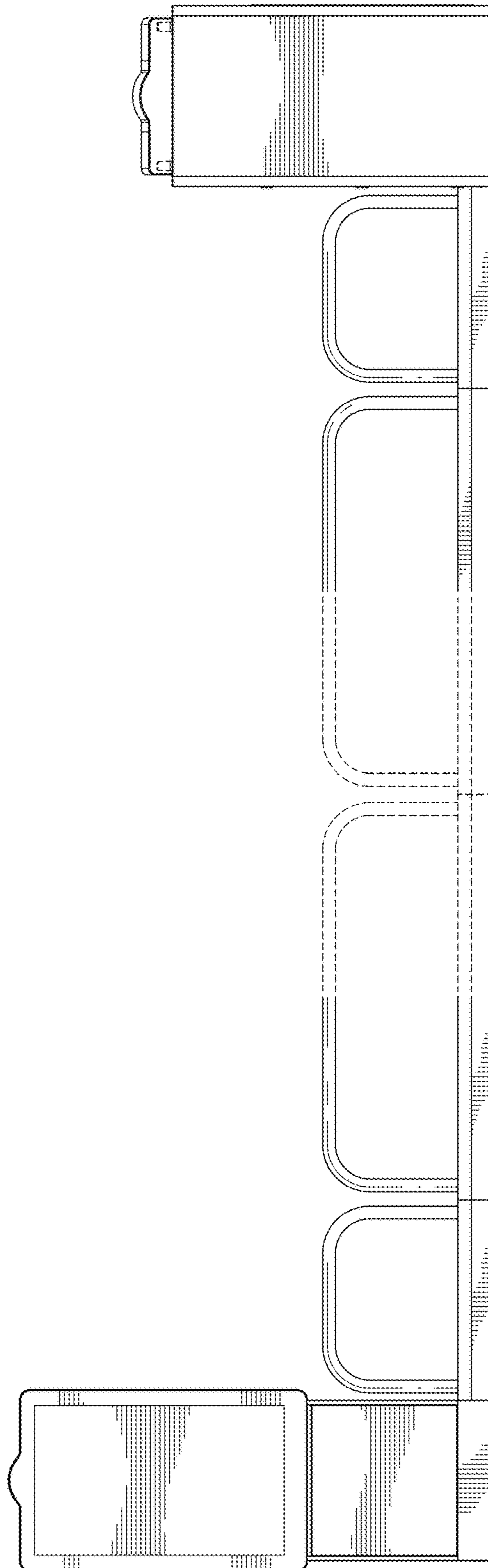


FIG. 4

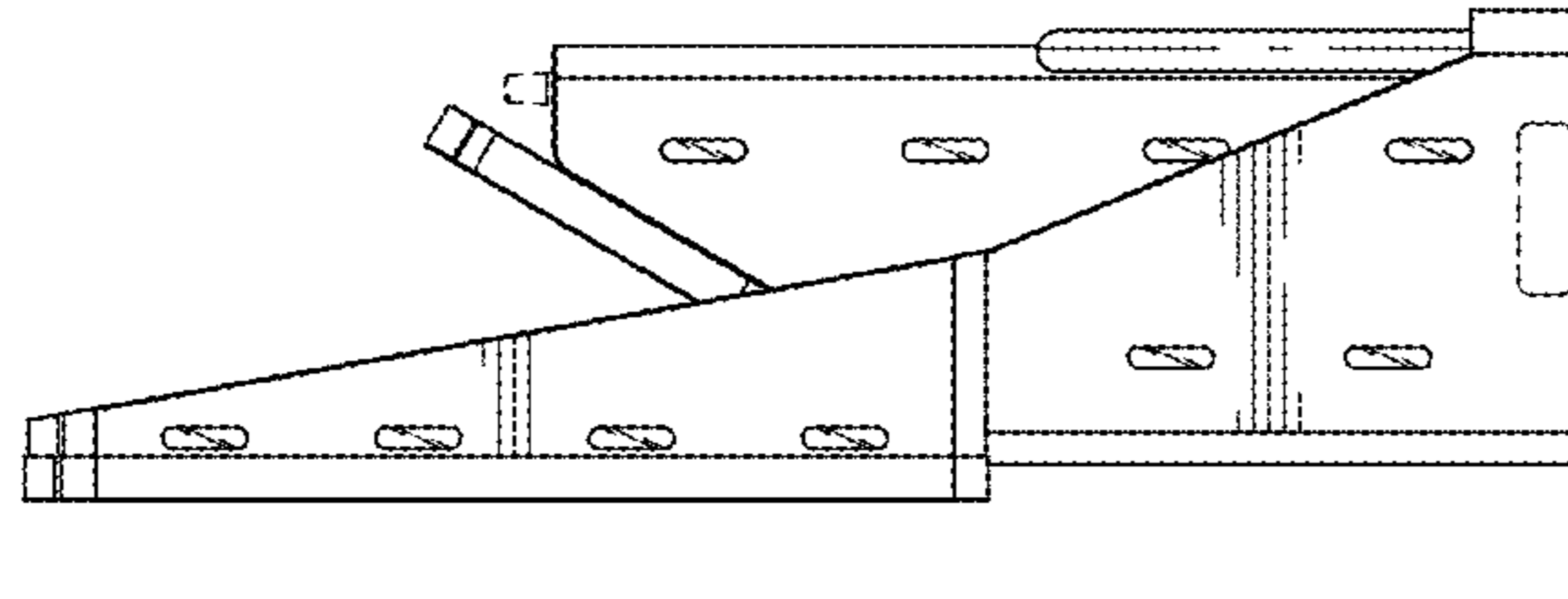


FIG. 6

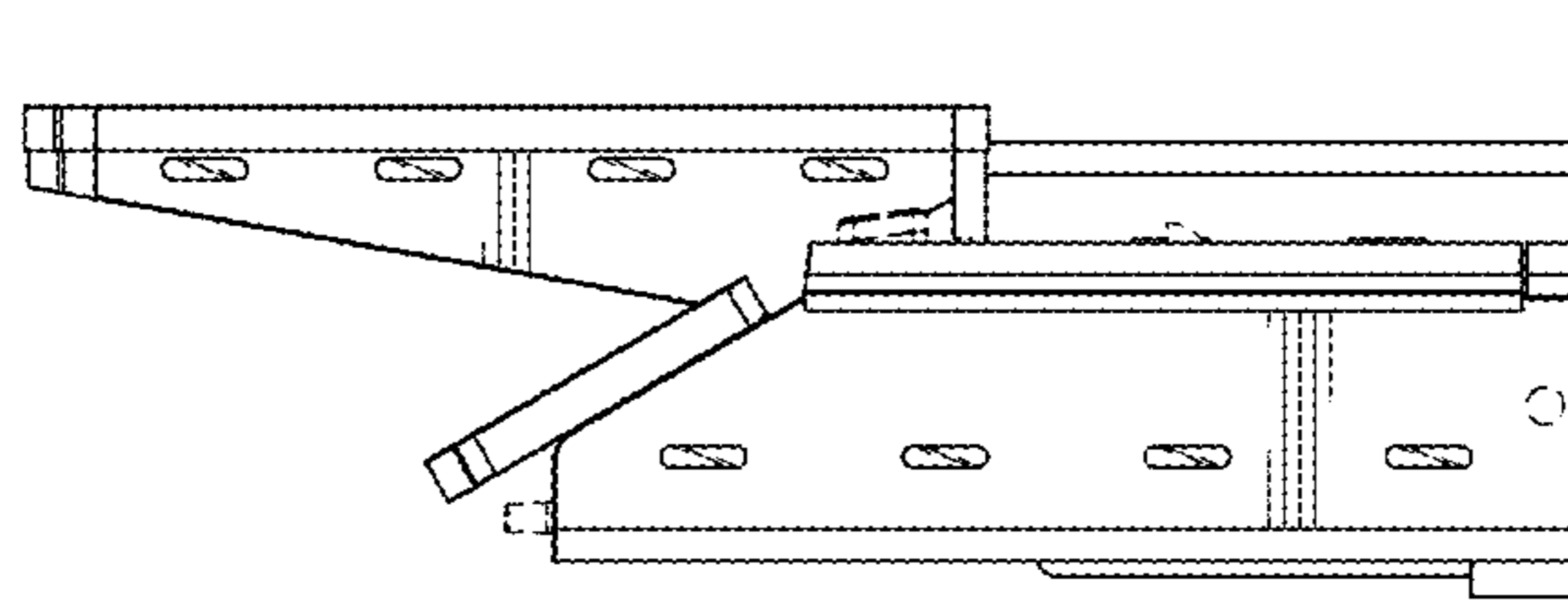


FIG. 5

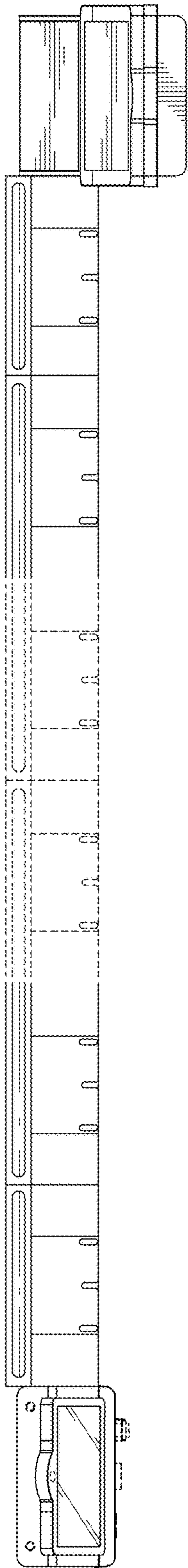


FIG. 7

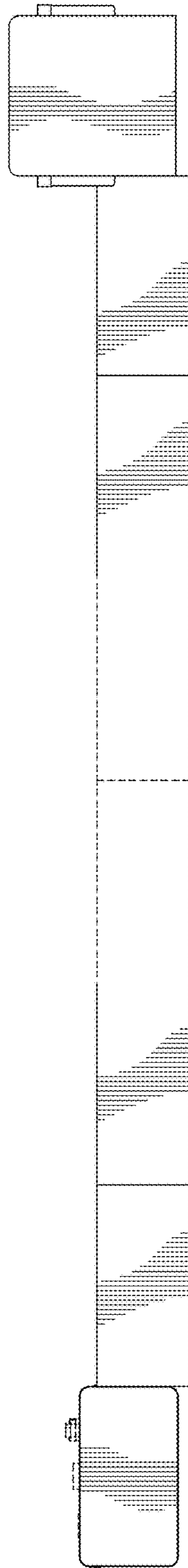


FIG. 8