



US00D894891S

(12) **United States Design Patent**
Zhang et al.

(10) **Patent No.:** **US D894,891 S**

(45) **Date of Patent:** **** Sep. 1, 2020**

(54) **HOLDER FOR VEHICLE**

(71) Applicant: **UGREEN GROUP LIMITED,**
Shenzhen (CN)

(72) Inventors: **Qingsen Zhang,** Shenzhen (CN);
Junling Chen, Shenzhen (CN);
Zhuohao Liang, Shenzhen (CN)

(**) Term: **15 Years**

(21) Appl. No.: **29/699,024**

(22) Filed: **Jul. 23, 2019**

(51) **LOC (12) Cl.** **14-03**

(52) **U.S. Cl.**
USPC **D14/253; D12/415**

(58) **Field of Classification Search**
USPC D14/251–253, 447, 452, 432–434, 440;
D12/415; D3/218
CPC H04M 1/02; H04M 1/04; B60R 11/02;
F16M 11/00; F16M 11/04; F16M 11/06
See application file for complete search history.

(56) **References Cited**

U.S. PATENT DOCUMENTS

D783,012 S *	4/2017	Lee	D14/253
D784,977 S *	4/2017	Ormsbee	D14/253
D792,416 S *	7/2017	Tsai	D14/447
D823,847 S *	7/2018	Lebovitz	D14/253
D847,800 S *	5/2019	Wengreen	D14/238.1
D849,012 S *	5/2019	Yao	D14/447

D858,509 S *	9/2019	Yao	D14/253
D862,454 S *	10/2019	Chun	D14/253
D864,092 S *	10/2019	Zhang	D12/415
D868,054 S *	11/2019	Kim	D14/253
D872,014 S *	1/2020	Zhang	D13/108
D873,272 S *	1/2020	Dang	D14/447
D877,066 S *	3/2020	Zhang	D13/108
D877,741 S *	3/2020	Leeds-Frank	D14/447
D883,271 S *	5/2020	Liao	D14/253

* cited by examiner

Primary Examiner — Janice Hallmark

(74) *Attorney, Agent, or Firm* — ZANIP

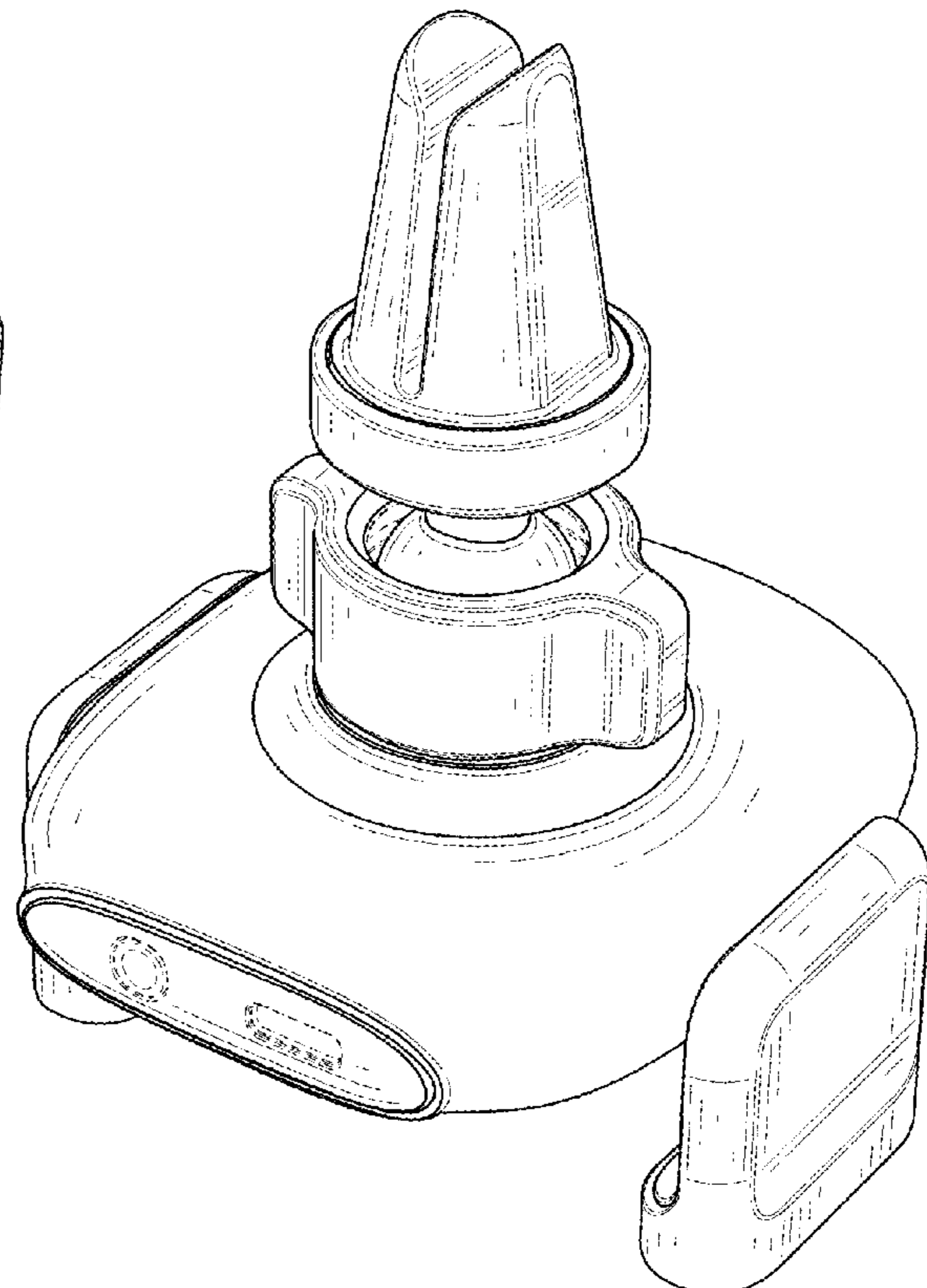
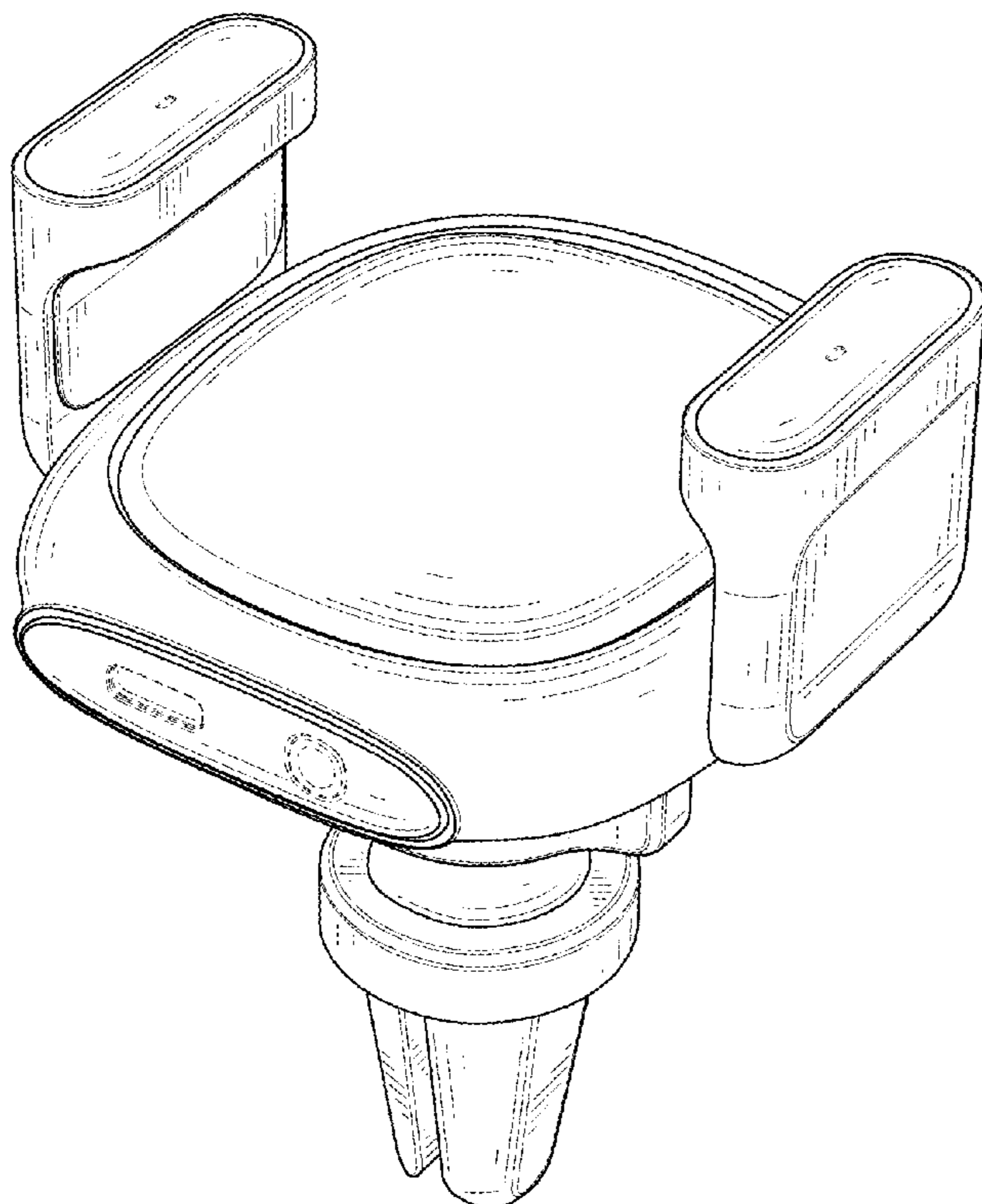
(57) **CLAIM**

The ornamental design for a holder for vehicle, as shown and described.

DESCRIPTION

FIG. 1 is a front perspective view of a holder for vehicle showing our new design;
FIG. 2 is a back perspective view thereof;
FIG. 3 is a front view thereof;
FIG. 4 is a back view thereof;
FIG. 5 is a left side view thereof;
FIG. 6 is a right side view thereof;
FIG. 7 is a top view thereof; and,
FIG. 8 is a bottom view thereof.
The broken lines in the figures illustrate portions of the holder for vehicle that form no part of the claimed design.

1 Claim, 8 Drawing Sheets



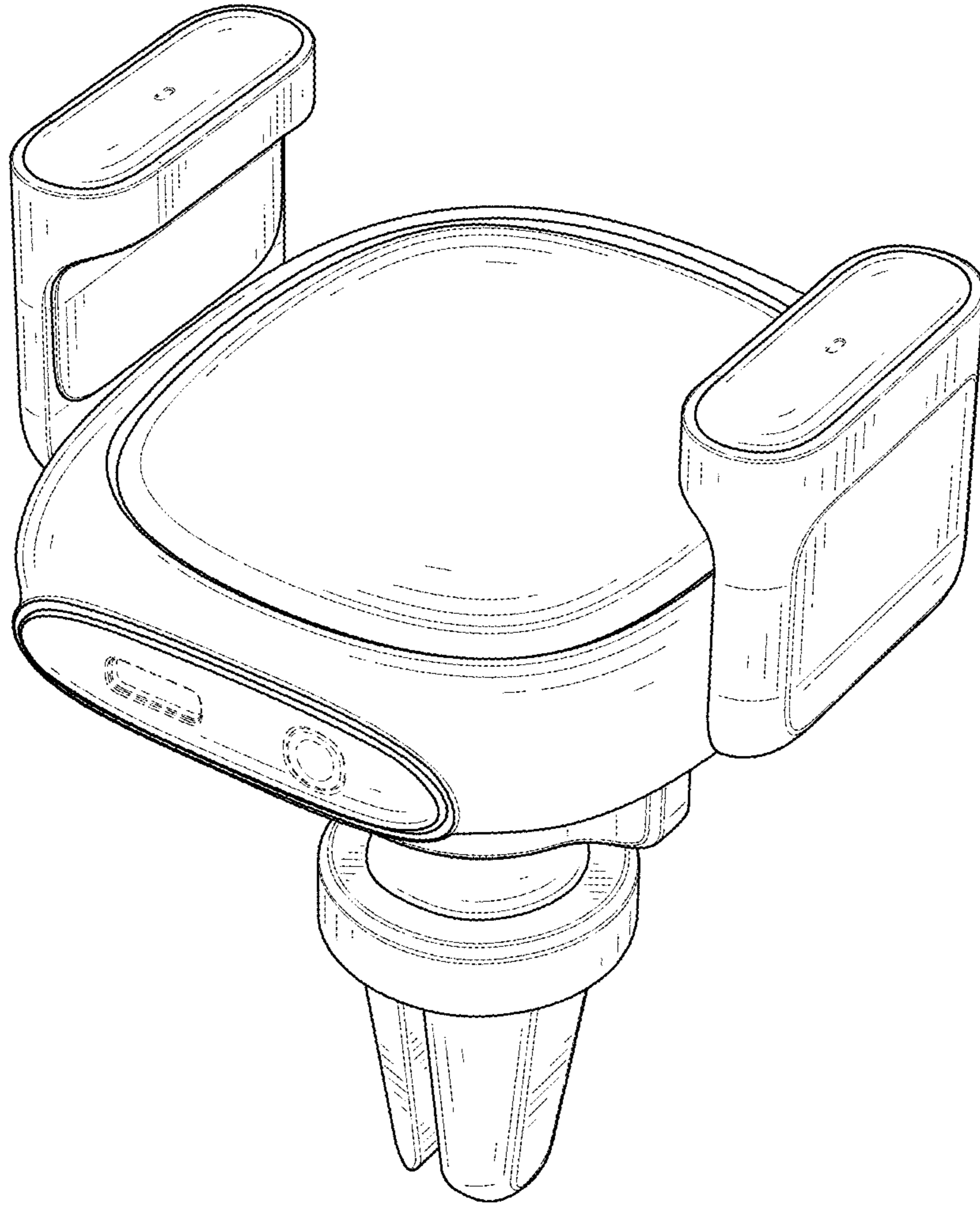


FIG. 1

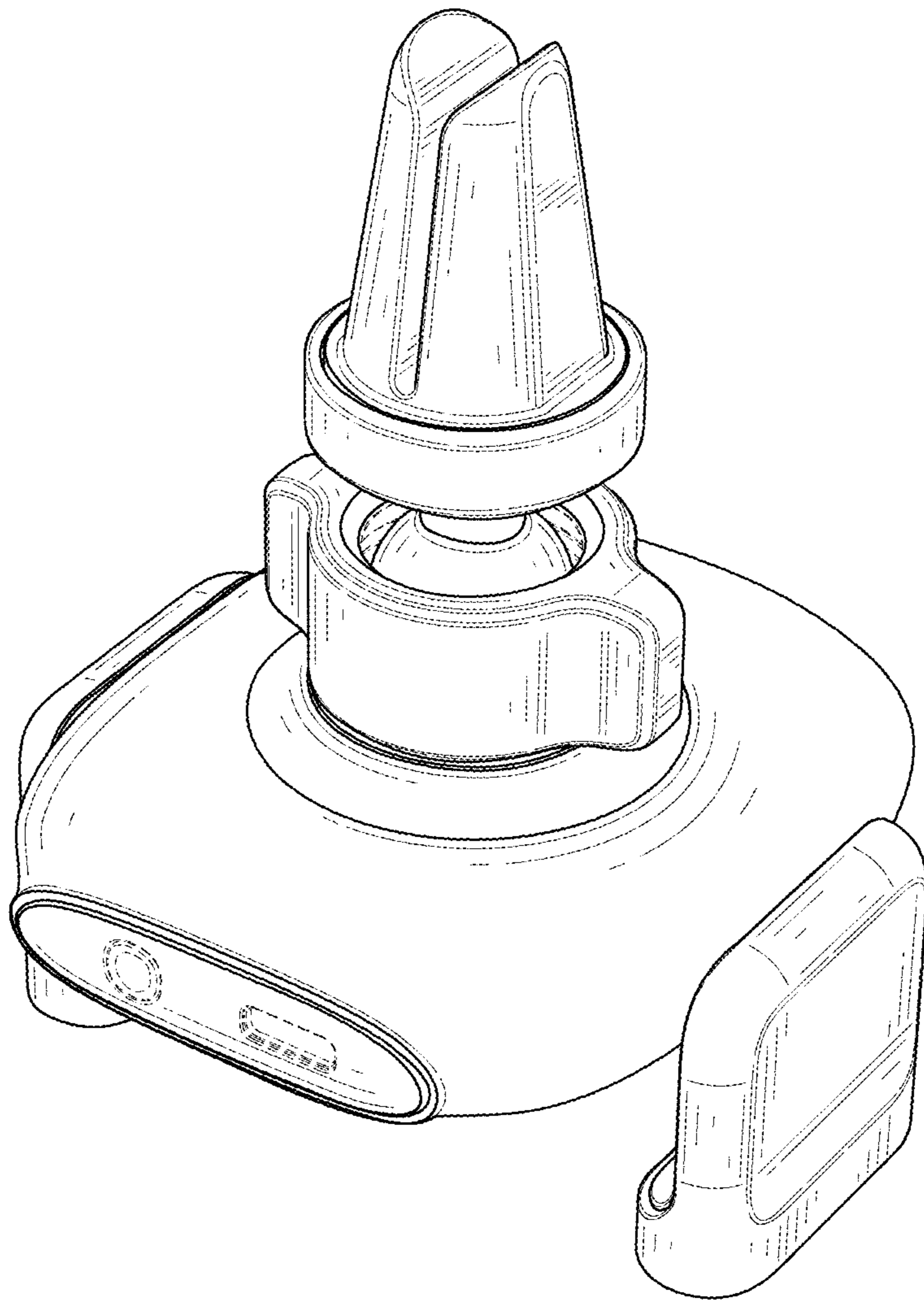


FIG. 2

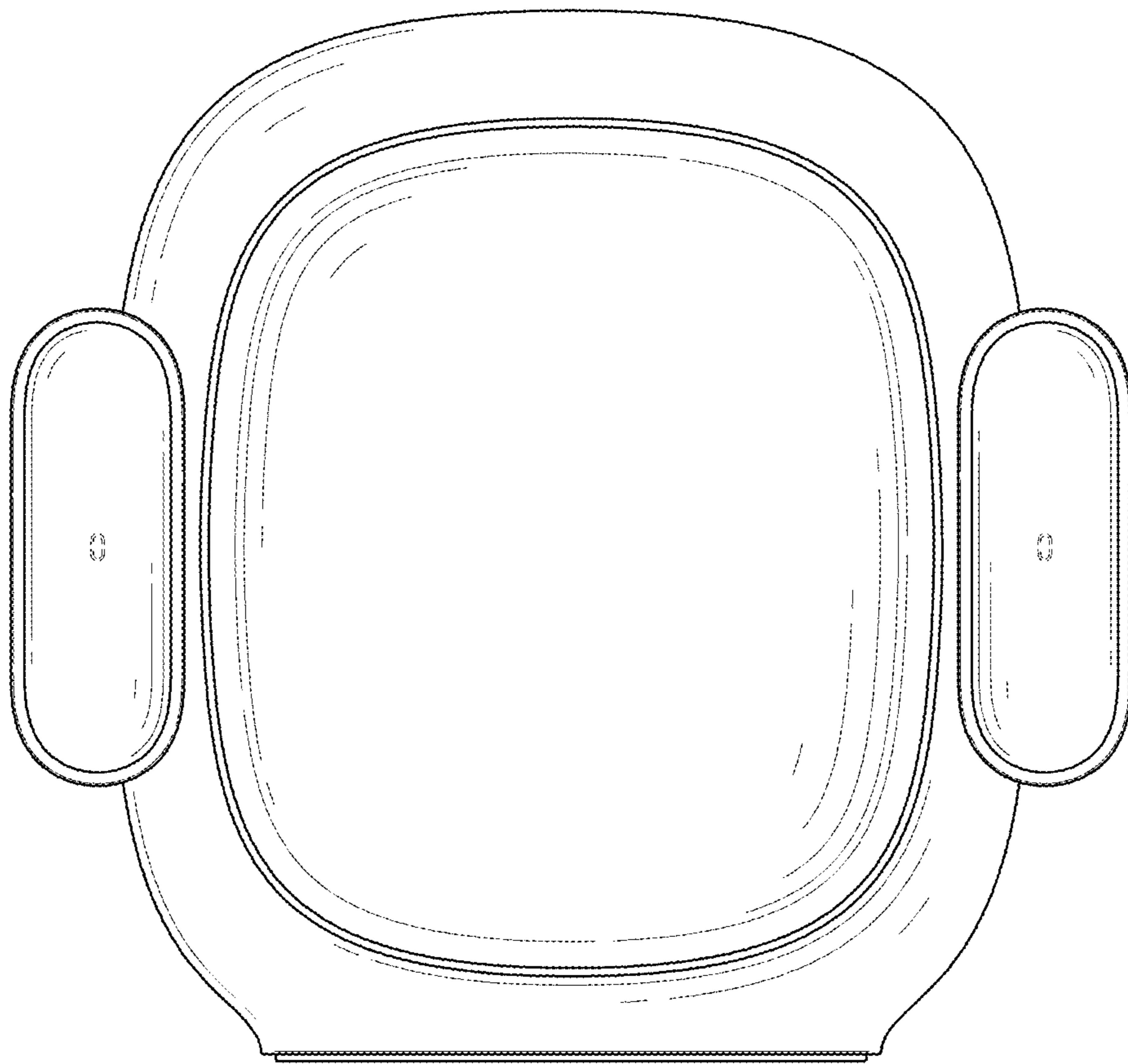


FIG. 3

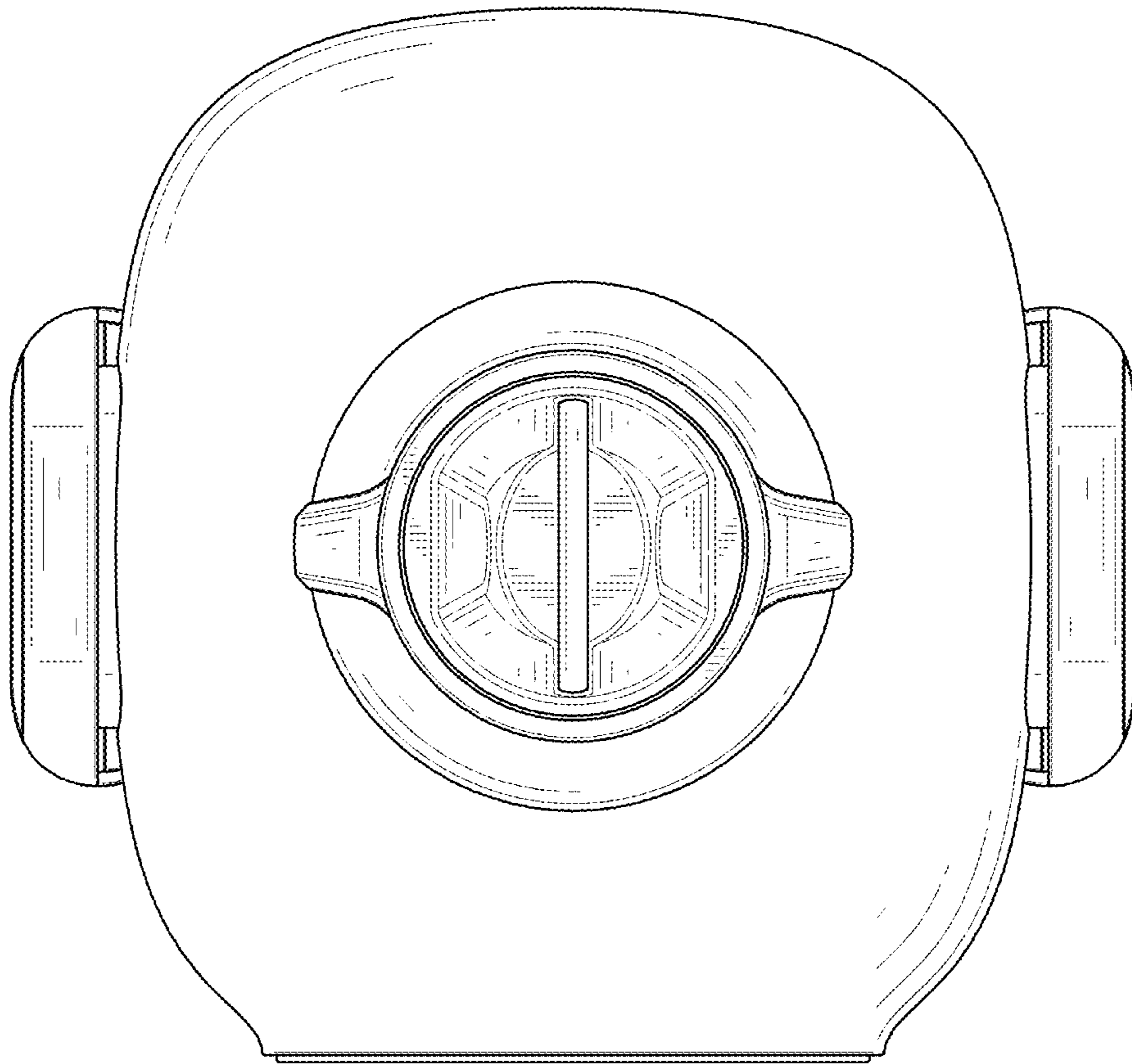


FIG. 4

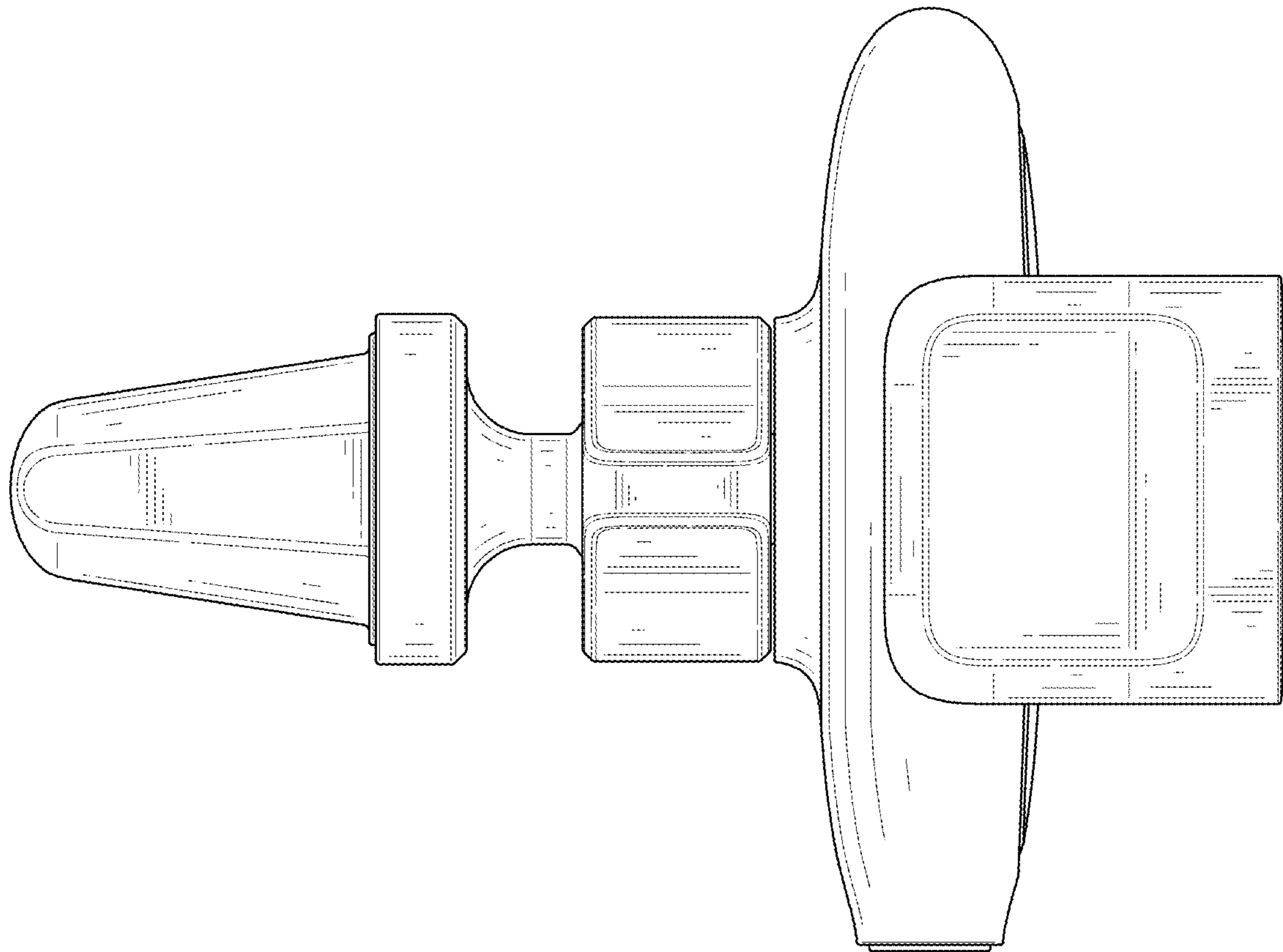


FIG. 5

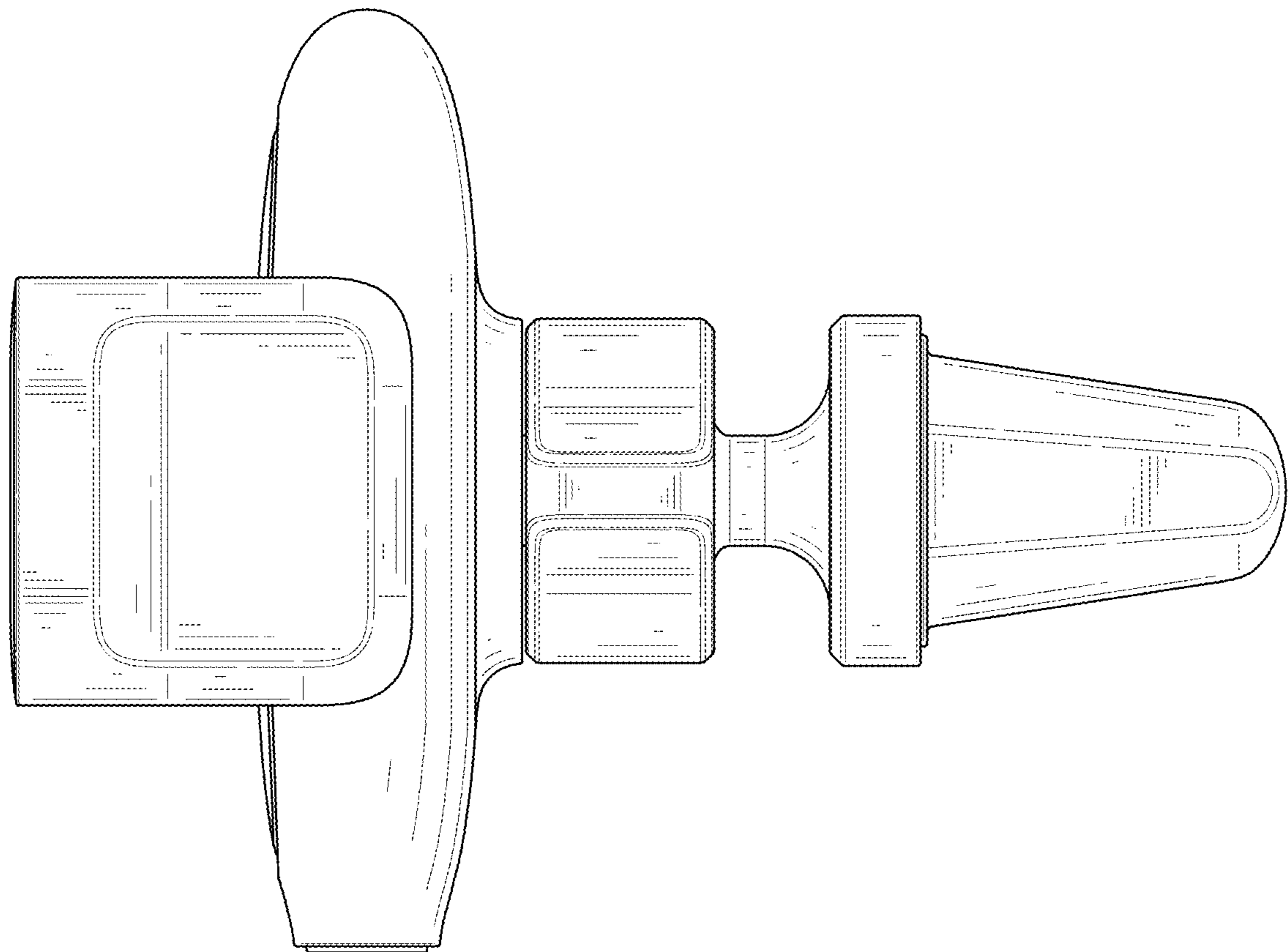


FIG. 6

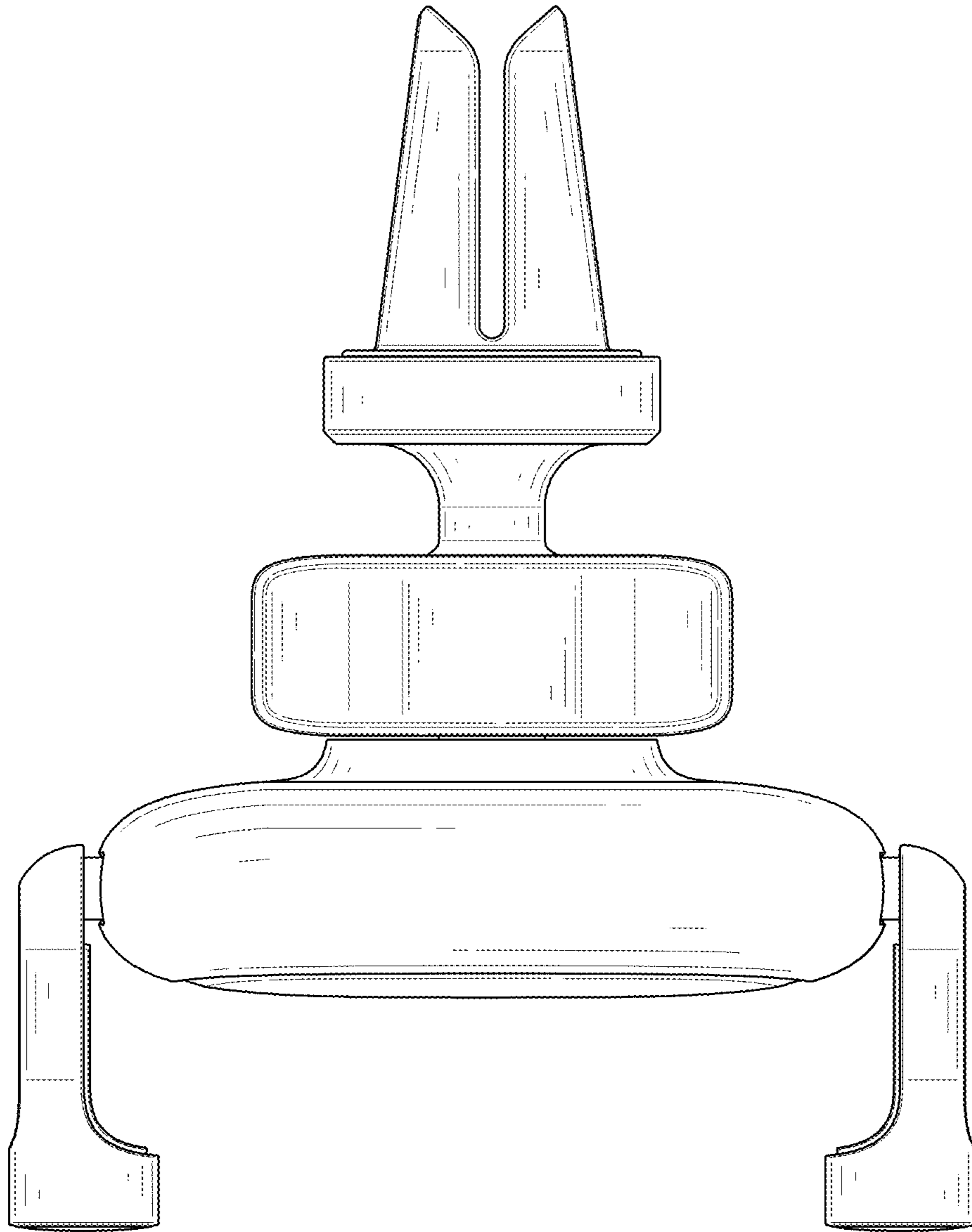


FIG. 7

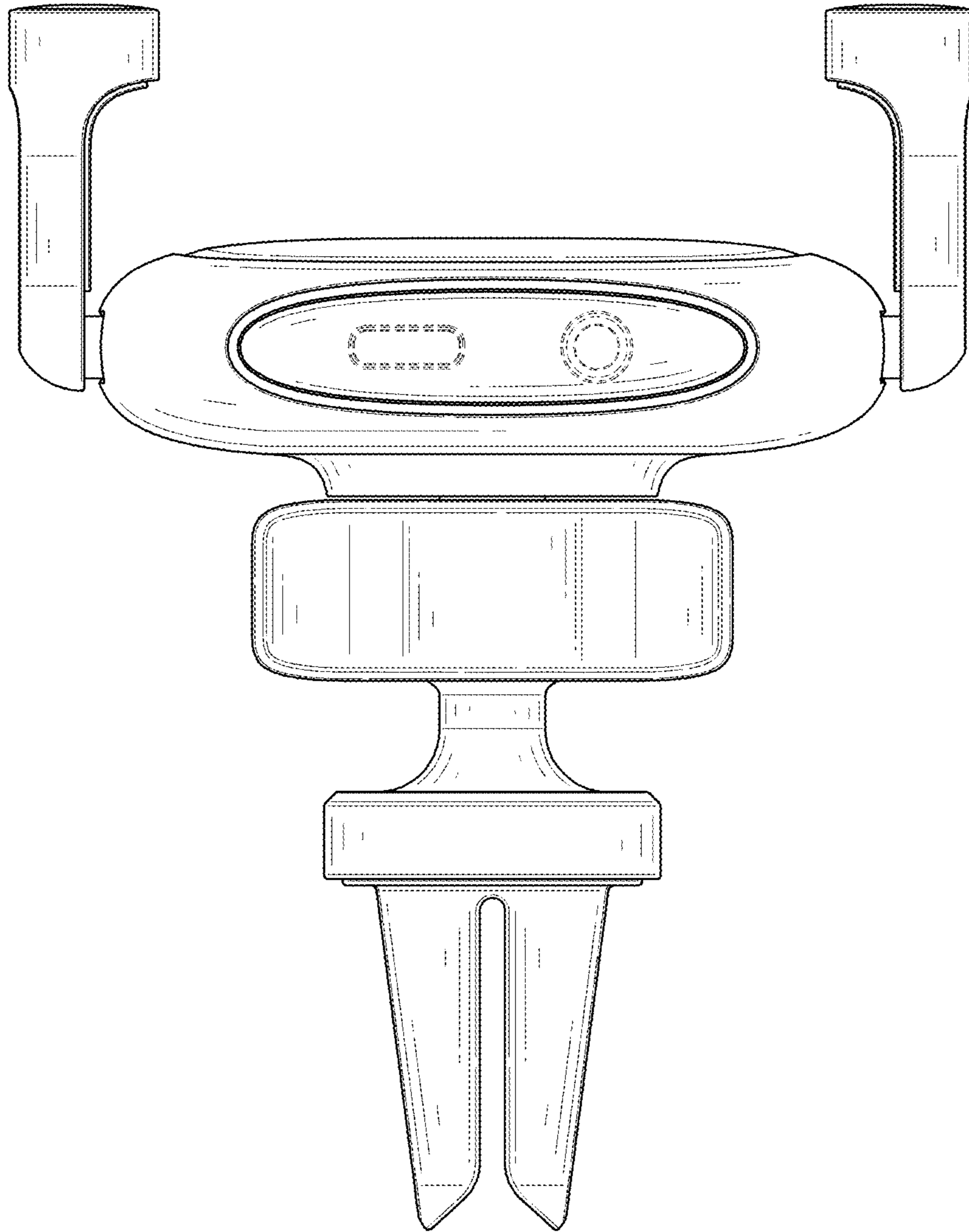


FIG. 8