



US00D894890S

(12) **United States Design Patent** (10) **Patent No.:** **US D894,890 S**
Lederer (45) **Date of Patent:** **** Sep. 1, 2020**

(54) **MOBILE DEVICE STAND**
(71) Applicant: **Broder Bros., Co.**, Trevese, PA (US)
(72) Inventor: **Jeffrey Lederer**, Greenwich, CT (US)
(73) Assignee: **Broder Bros., Co.**, Trevese, PA (US)
(**) Term: **15 Years**
(21) Appl. No.: **29/661,710**
(22) Filed: **Aug. 30, 2018**
(51) **LOC (12) Cl.** **14-99**
(52) **U.S. Cl.**
USPC **D14/253**
(58) **Field of Classification Search**
USPC D14/250-254, 224, 224.1, 238.1, 434,
D14/447, 451, 452, 483; D12/400,
D12/415-418, 420, 426.1, 114, 223;
D16/242, 245; D10/74; D3/218;
D13/107, 108; D6/310-314, 672, 682,
D6/682.3, 682.4
CPC B60R 11/00; B60R 11/02; B60R 11/0241;
B60R 11/0252; B60R 2011/0003; B60R
2011/0005; B60R 2011/0008; H04M
1/04; H04B 1/3877; A45F 2200/0516;
A45F 2200/0525; H05K 5/0204; F16M
13/02; F16M 13/022; F16M 11/04; F16M
11/041; F16M 11/14; F16M 11/22; F16B
2/12; H01F 7/0252; G03B 17/561
See application file for complete search history.

(56) **References Cited**
U.S. PATENT DOCUMENTS

D639,816 S * 6/2011 Bau D14/447
D666,614 S * 9/2012 Ding D14/253
D685,366 S * 7/2013 Ding D14/253
D686,200 S * 7/2013 Huang D14/253
D723,536 S * 3/2015 Werth D14/253

9,372,507 B2 * 6/2016 Dekock G06F 1/166
D779,478 S * 2/2017 Justiss D14/253
D792,393 S * 7/2017 Akana D14/341
D826,917 S * 8/2018 Zhong D14/253
D826,947 S * 8/2018 Zhong D14/439
D842,851 S * 3/2019 Leitman D14/253
10,355,734 B1 * 7/2019 Otmani A45C 11/00
D863,291 S * 10/2019 Shi D14/253
2012/0006950 A1 * 1/2012 Vandiver F16M 11/10
248/176.3
2012/0229964 A1 * 9/2012 Du F16M 11/041
361/679.01
2015/0349830 A1 * 12/2015 Lai H04B 1/3888
455/575.4
2016/0323002 A1 * 11/2016 Cho H04B 1/3888
2016/0323430 A1 * 11/2016 Fiori H04B 1/3877

(Continued)

Primary Examiner — Jeffrey D Asch
Assistant Examiner — Rebekah A Caruso
(74) *Attorney, Agent, or Firm* — Myers Wolin, LLC

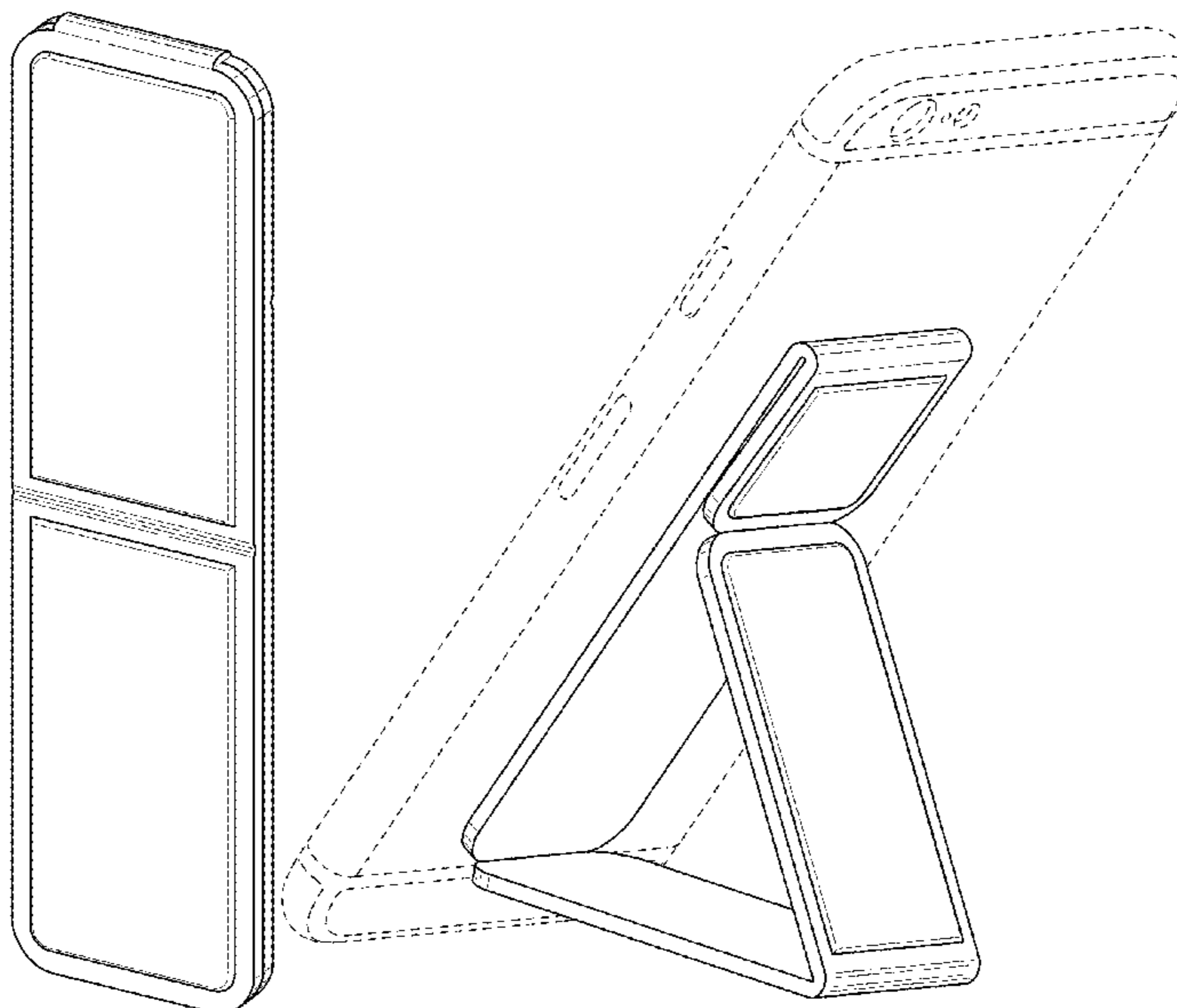
(57) **CLAIM**

The ornamental design for a mobile device stand, as shown and described.

DESCRIPTION

FIG. 1 is a front perspective view of a mobile device stand showing my new design;
FIG. 2 is a rear perspective view thereof;
FIG. 3 is a front elevational view thereof;
FIG. 4 is a right side elevational view thereof, the left side elevational view being a mirror image;
FIG. 5 is a rear elevational view thereof;
FIG. 6 is a top view thereof, the bottom view being a mirror image;
FIG. 7 is a front perspective view thereof, showing the article in use; and,
FIG. 8 is a left side view thereof.
The broken lines are for illustrative purposes only and form no part of the claimed design.

1 Claim, 4 Drawing Sheets



(56)

References Cited

U.S. PATENT DOCUMENTS

2016/0377220 A1* 12/2016 Lin F16M 11/38
248/176.3
2017/0223161 A1* 8/2017 Lau H04M 1/04

* cited by examiner

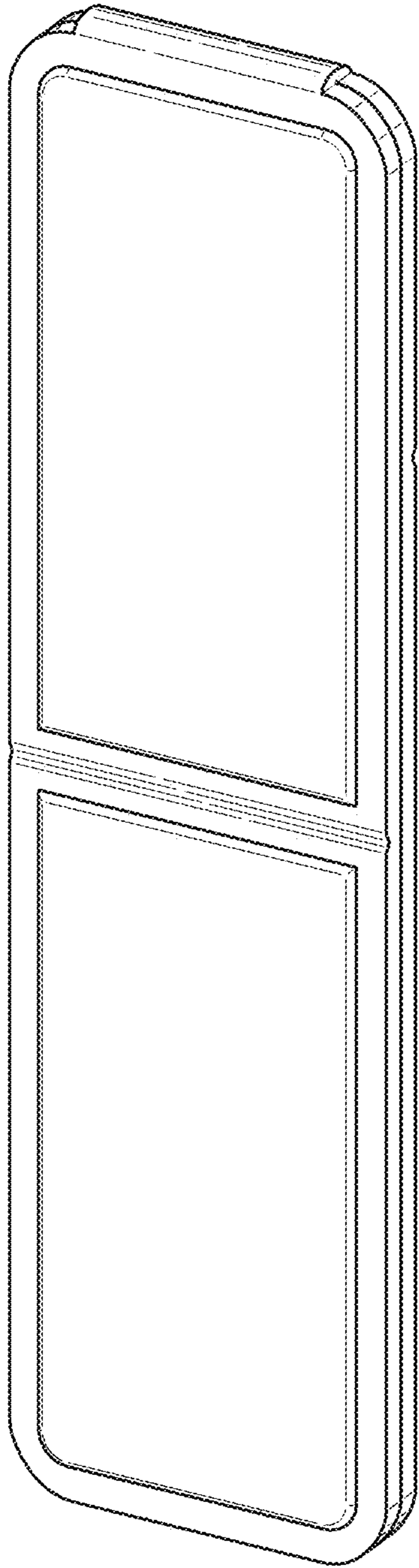


FIG. 1

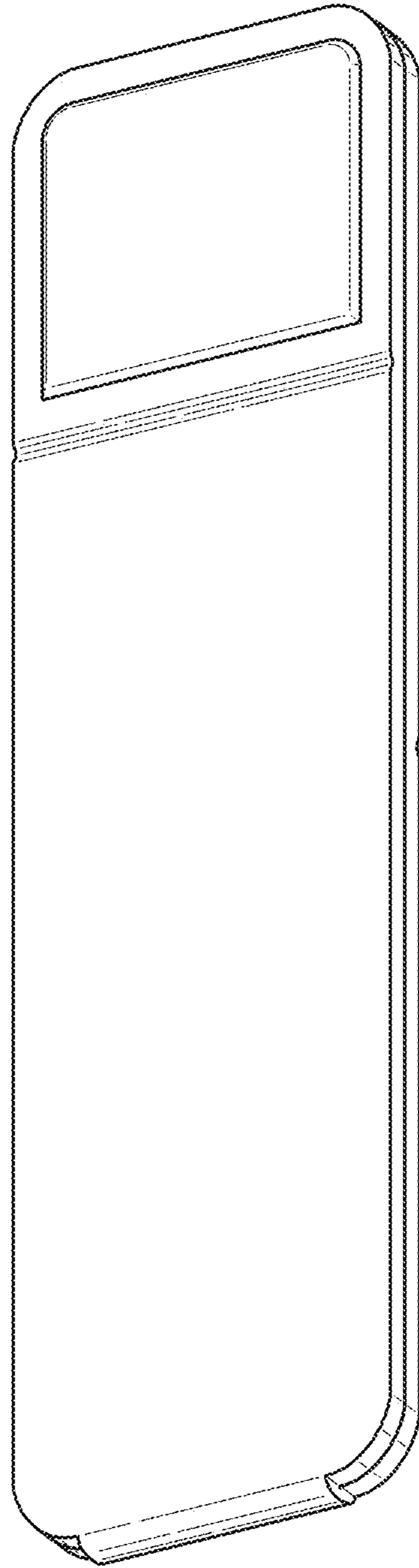


FIG. 2

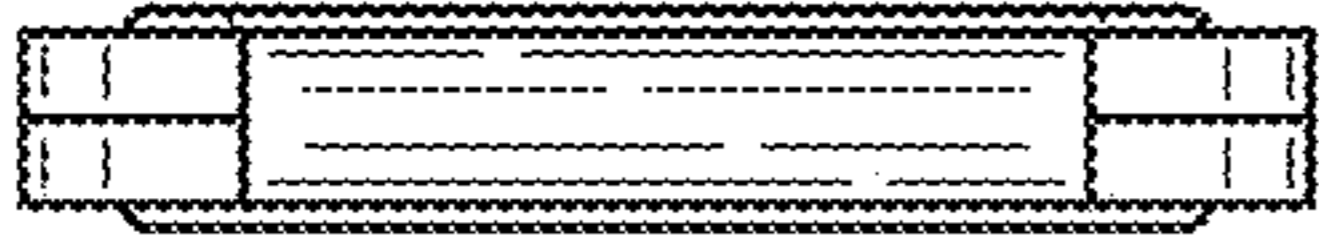


FIG. 6

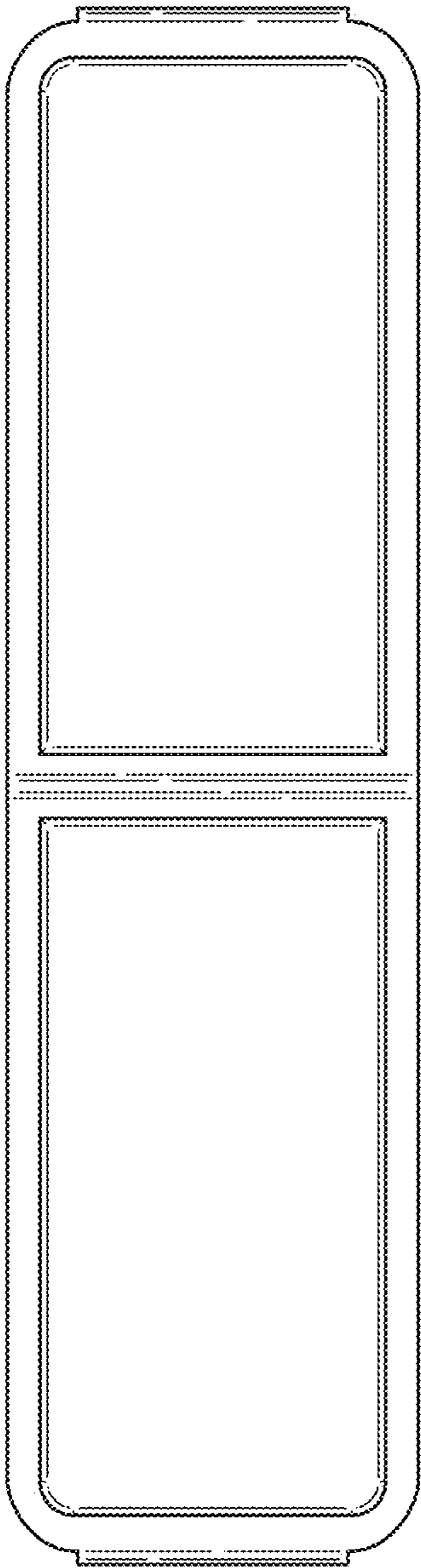


FIG. 3



FIG. 4

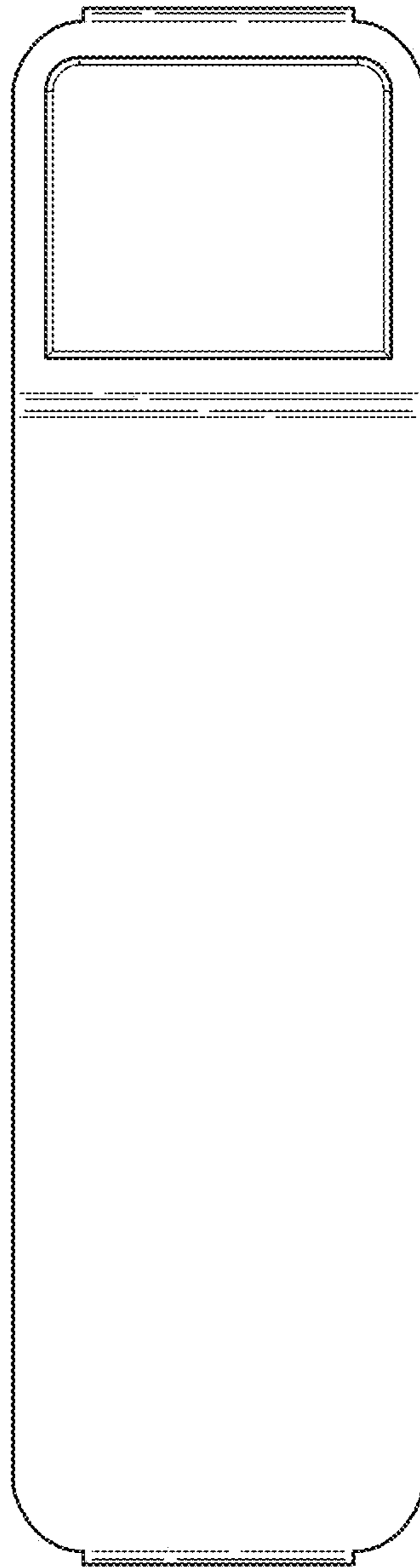


FIG. 5

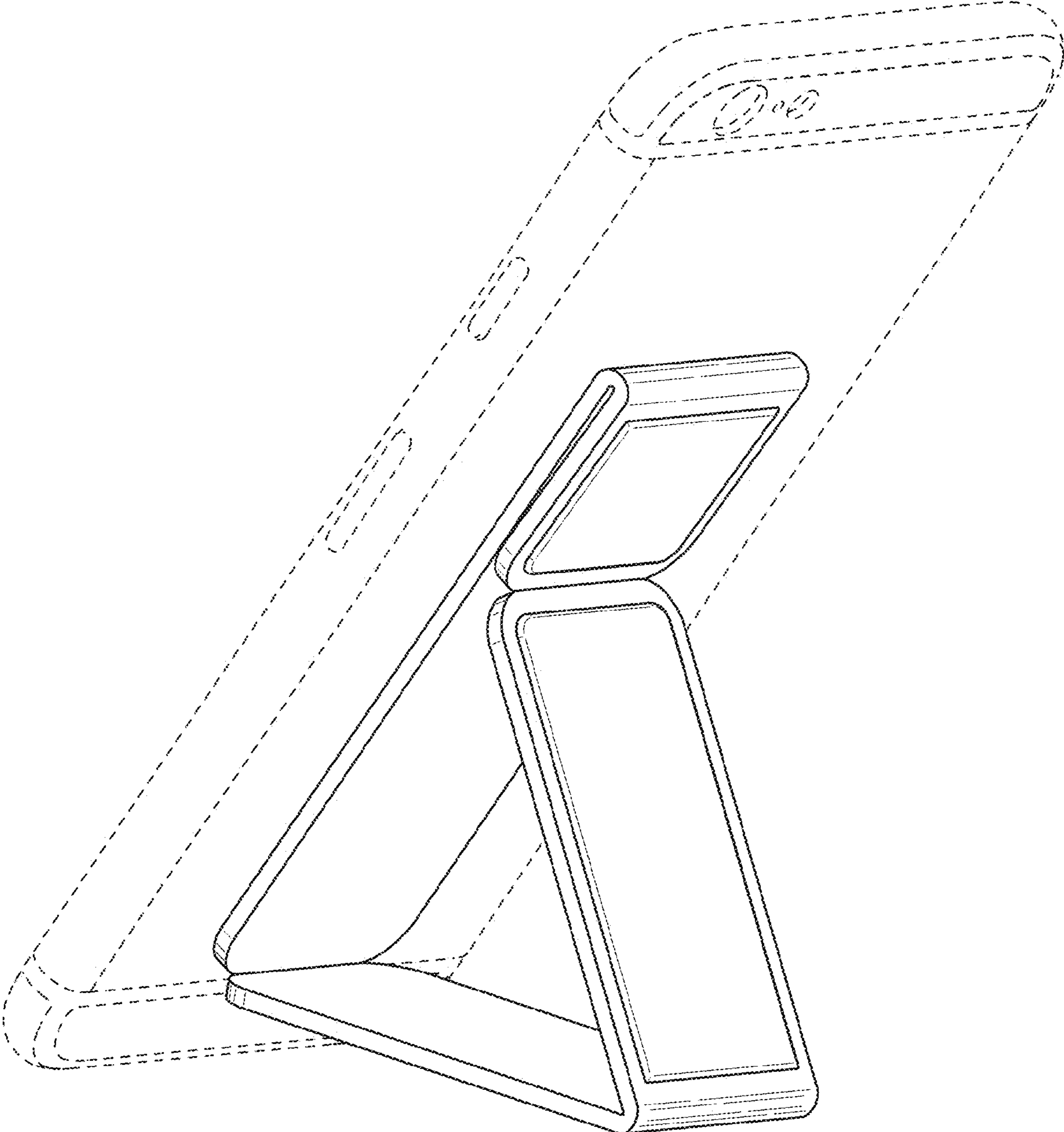


FIG. 7

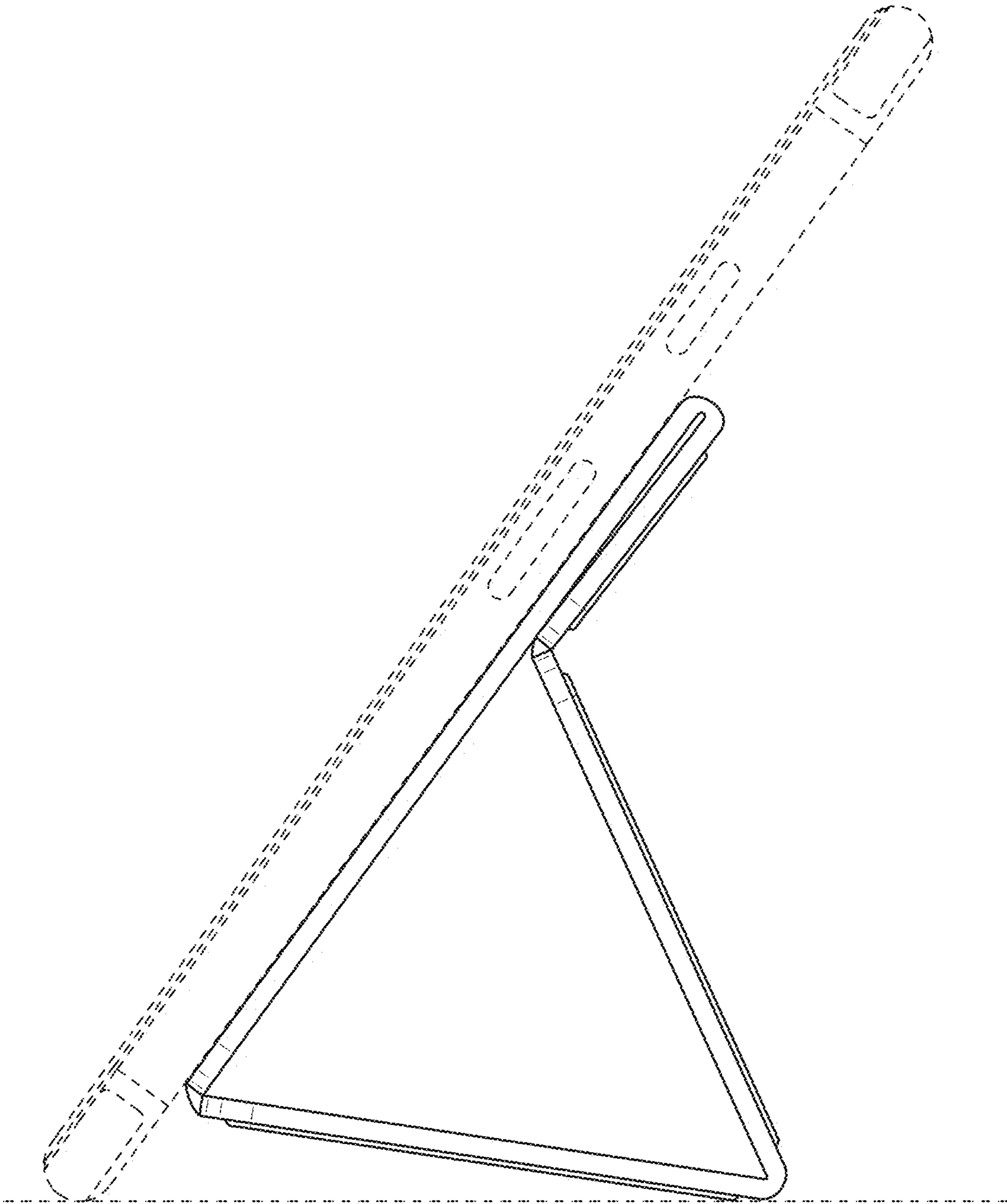


FIG. 8