



US00D894886S

(12) **United States Design Patent**  
**Kim**

(10) **Patent No.:** **US D894,886 S**

(45) **Date of Patent:** **\*\* Sep. 1, 2020**

(54) **CASE FOR ELECTRONIC COMMUNICATIONS DEVICE**

(71) Applicant: **SPIGEN KOREA CO., LTD.**, Seoul (KR)

(72) Inventor: **Ki Bum Kim**, Seoul (KR)

(73) Assignee: **Spigen Korea CO., LTD.**, Seoul (KR)

(\*\*) Term: **15 Years**

(21) Appl. No.: **29/704,273**

(22) Filed: **Sep. 3, 2019**

(51) **LOC (12) Cl.** ..... **14-03**

(52) **U.S. Cl.**  
USPC ..... **D14/250**

(58) **Field of Classification Search**  
USPC ..... D3/201, 212, 218, 226, 227, 247, 249, D3/250, 269, 303; D13/103, 107, 108, D13/119; D14/137, 138 R, 138 AA, D14/138 C, 138 G, 172, 192, D14/203.3-203.7, 217, 238.1, 247, 248, D14/250-253, 434, 440, 447, 496  
CPC ..... H04B 1/3888; H04M 1/0283; H04M 1/0202; A45C 1/06; A45C 2011/002; A45C 11/00; A45F 2005/028; A45F 2200/0525

See application file for complete search history.

(56) **References Cited**

**U.S. PATENT DOCUMENTS**

D619,361 S	7/2010	Andre
D648,332 S	11/2011	Kim et al.
D669,071 S	10/2012	Akana et al.
D670,279 S	11/2012	Veltz et al.
D670,281 S	11/2012	Corpuz et al.
D671,930 S	12/2012	Akana et al.
D676,837 S	2/2013	Rothbaum et al.
D679,271 S	4/2013	Liu

D682,260 S	*	5/2013	Tages	.....	D14/250
D706,254 S		6/2014	Chang		
D706,255 S		6/2014	Akana et al.		
D706,754 S	*	6/2014	Goradesky	.....	D14/250
D712,892 S		9/2014	Hong et al.		
D714,276 S		9/2014	Hu et al.		
D718,291 S		11/2014	Hong		
D721,360 S		1/2015	Laffon de Mazieres et al.		
D723,531 S	*	3/2015	Katzke	.....	D14/250
D728,549 S		5/2015	Su et al.		
D733,154 S		6/2015	Armstrong et al.		
D740,798 S		10/2015	Poon et al.		
D746,275 S		12/2015	Mohammad		
D746,801 S		1/2016	Pan		
D747,707 S		1/2016	Roberts et al.		
D747,708 S	*	1/2016	Roberts	.....	D14/250
D750,610 S	*	3/2016	Chen	.....	D14/250
D754,651 S		4/2016	Roberts et al.		
D755,772 S		5/2016	Sasaki et al.		

(Continued)

*Primary Examiner* — Susan E Krakower

*Assistant Examiner* — L. A. Grabenstetter

(74) *Attorney, Agent, or Firm* — Heedong Chae; Lucem, PC

(57) **CLAIM**

The ornamental design for a case for electronic communications device, as shown and described.

**DESCRIPTION**

FIG. 1 is a front perspective view of a case for electronic communications device showing my new design; FIG. 2 is a rear perspective view thereof; FIG. 3 is a front elevational view thereof; FIG. 4 is a rear elevational view thereof; FIG. 5 is a left side elevational view thereof; FIG. 6 is a right side elevational view thereof; FIG. 7 is a top plan view thereof; and, FIG. 8 is a bottom plan view.

**1 Claim, 8 Drawing Sheets**



(56)

References Cited

U.S. PATENT DOCUMENTS

D757,702 S	5/2016	Kanazawa	D788,090 S	5/2017	Kim	
D757,703 S	5/2016	Kanazawa	D800,105 S *	10/2017	Roberts	D14/250
D757,704 S	5/2016	Roberts et al.	D801,323 S	10/2017	Kim	
D761,774 S	7/2016	Liang	D802,576 S	11/2017	Ahn	
D762,200 S	7/2016	Pan et al.	D802,577 S	11/2017	Ahn	
D762,631 S	8/2016	Kim	D807,868 S	1/2018	Wang	
D762,633 S	8/2016	Fife	D808,374 S	1/2018	Lee et al.	
D763,841 S	8/2016	Kim	D808,377 S	1/2018	Witter et al.	
D765,634 S	9/2016	McCray et al.	D809,498 S	2/2018	Ahn	
9,451,066 B1 *	9/2016	Jia ..... H04M 1/0283	D815,082 S	4/2018	Kim	
D772,210 S	11/2016	Igarashi	D818,466 S	5/2018	Chang	
D772,854 S	11/2016	Igarashi	D820,820 S	6/2018	Ahn	
D775,617 S	1/2017	Samson	D820,821 S	6/2018	Ahn	
D775,619 S	1/2017	Tien	D824,893 S	8/2018	Ahn	
D776,104 S	1/2017	Tien	D834,571 S	11/2018	Ravid	
D776,105 S	1/2017	Han	D839,185 S *	1/2019	Jiang	D13/107
D777,715 S	1/2017	Sawaya	D839,859 S	2/2019	Zhang	
D777,716 S	1/2017	Kim	D842,292 S *	3/2019	Ahn	D14/250
D779,471 S *	2/2017	Tien ..... D14/250	D842,293 S *	3/2019	Ahn	D14/250
D780,167 S	2/2017	Tien	D843,364 S *	3/2019	Sasaki	D14/250
D780,741 S	3/2017	Yin	D847,807 S	5/2019	Wright et al.	
D781,835 S	3/2017	Kim et al.	D851,082 S	6/2019	Fitzgerald et al.	
D781,839 S	3/2017	Kim et al.	D852,184 S *	6/2019	Hyun	D14/250
D783,588 S *	4/2017	Chang ..... D14/250	D855,047 S *	7/2019	Hyun	D14/250
D785,612 S	5/2017	Kim et al.	D857,002 S *	8/2019	Kim	D14/250
			2014/0076753 A1 *	3/2014	Limber	A45C 11/00 206/320
			2016/0101902 A1	4/2016	Kim	

\* cited by examiner

FIG. 1

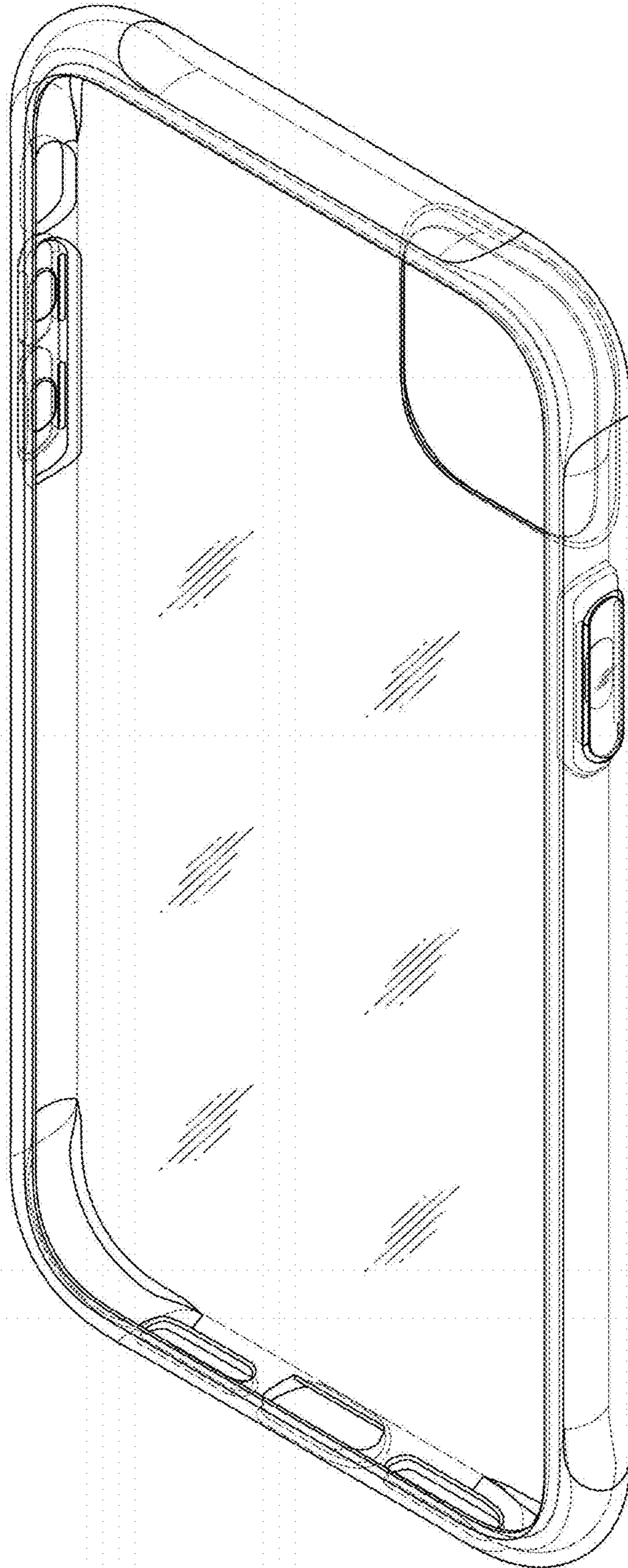




FIG. 2

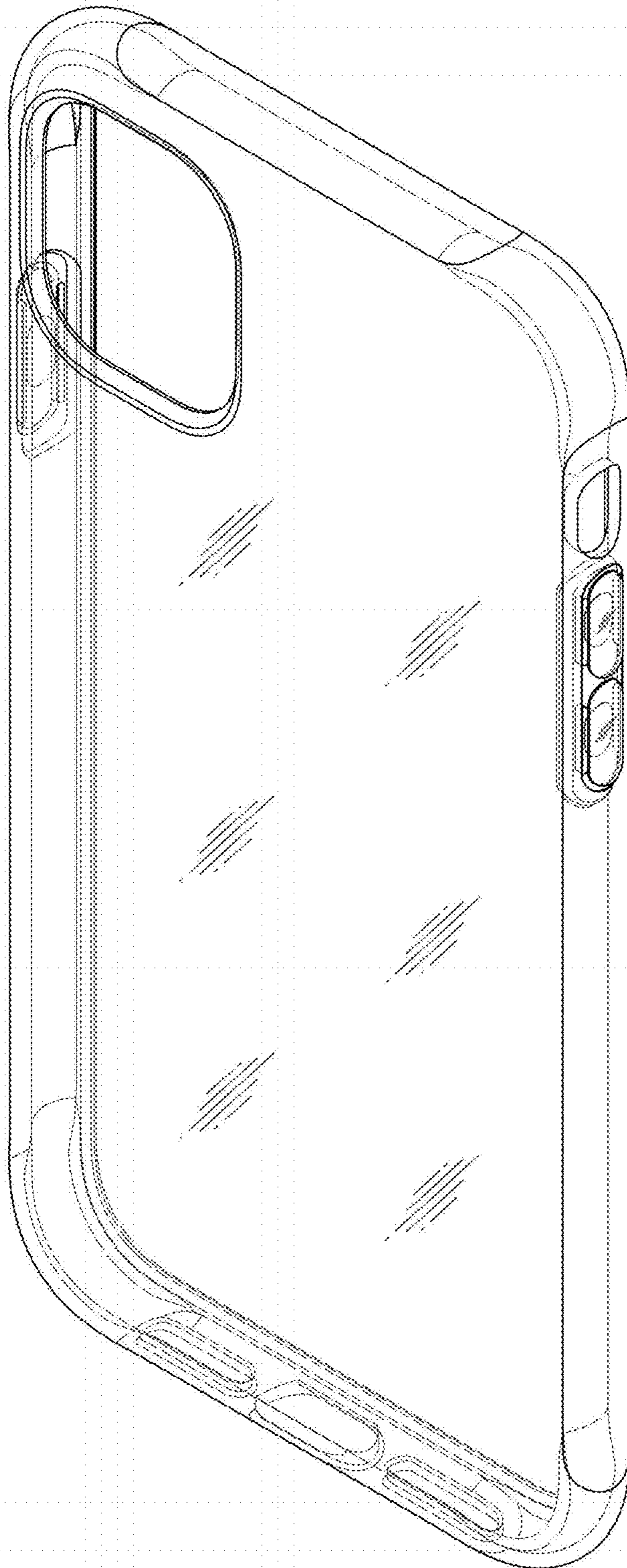


FIG. 3

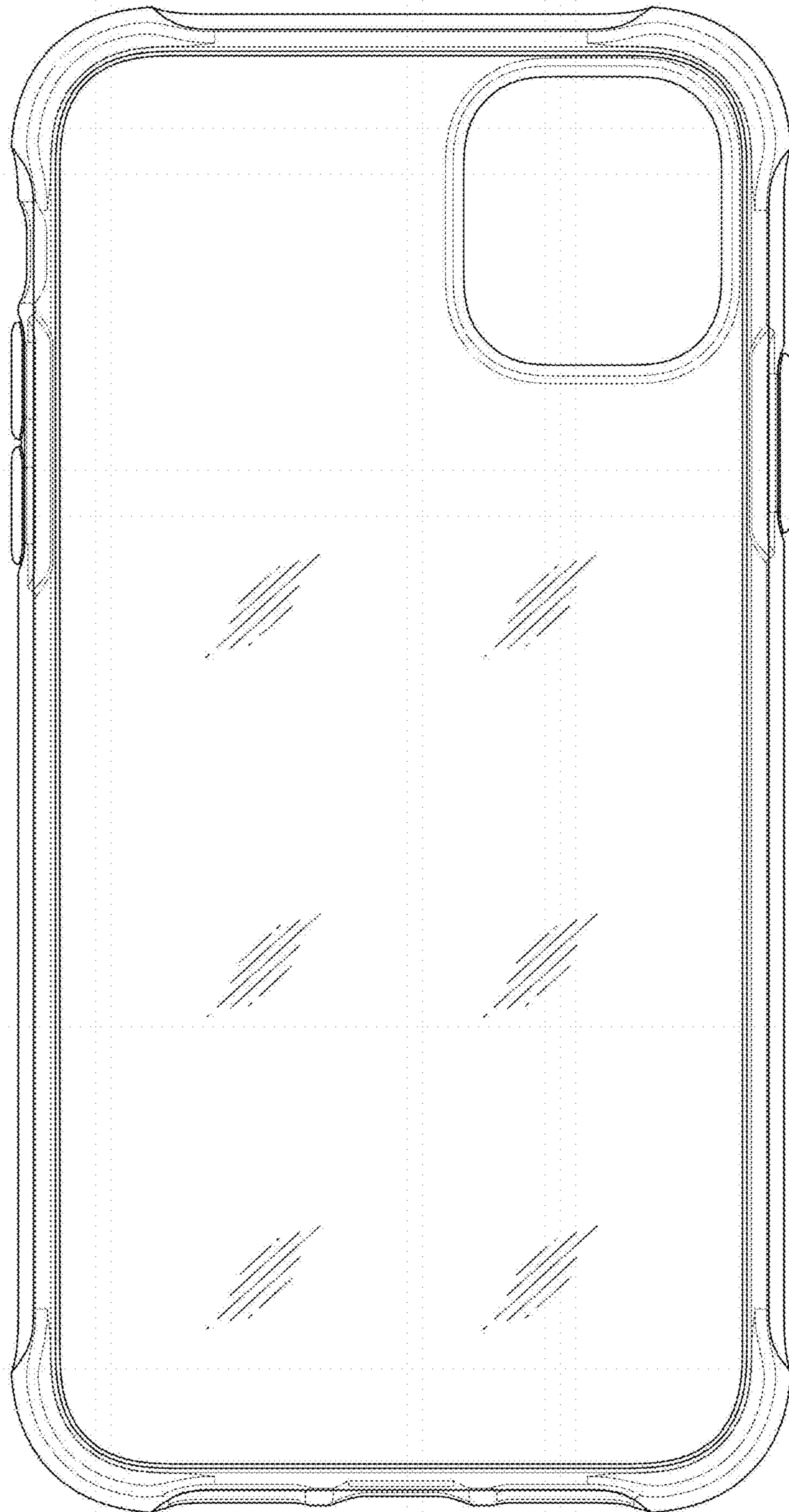


FIG. 4

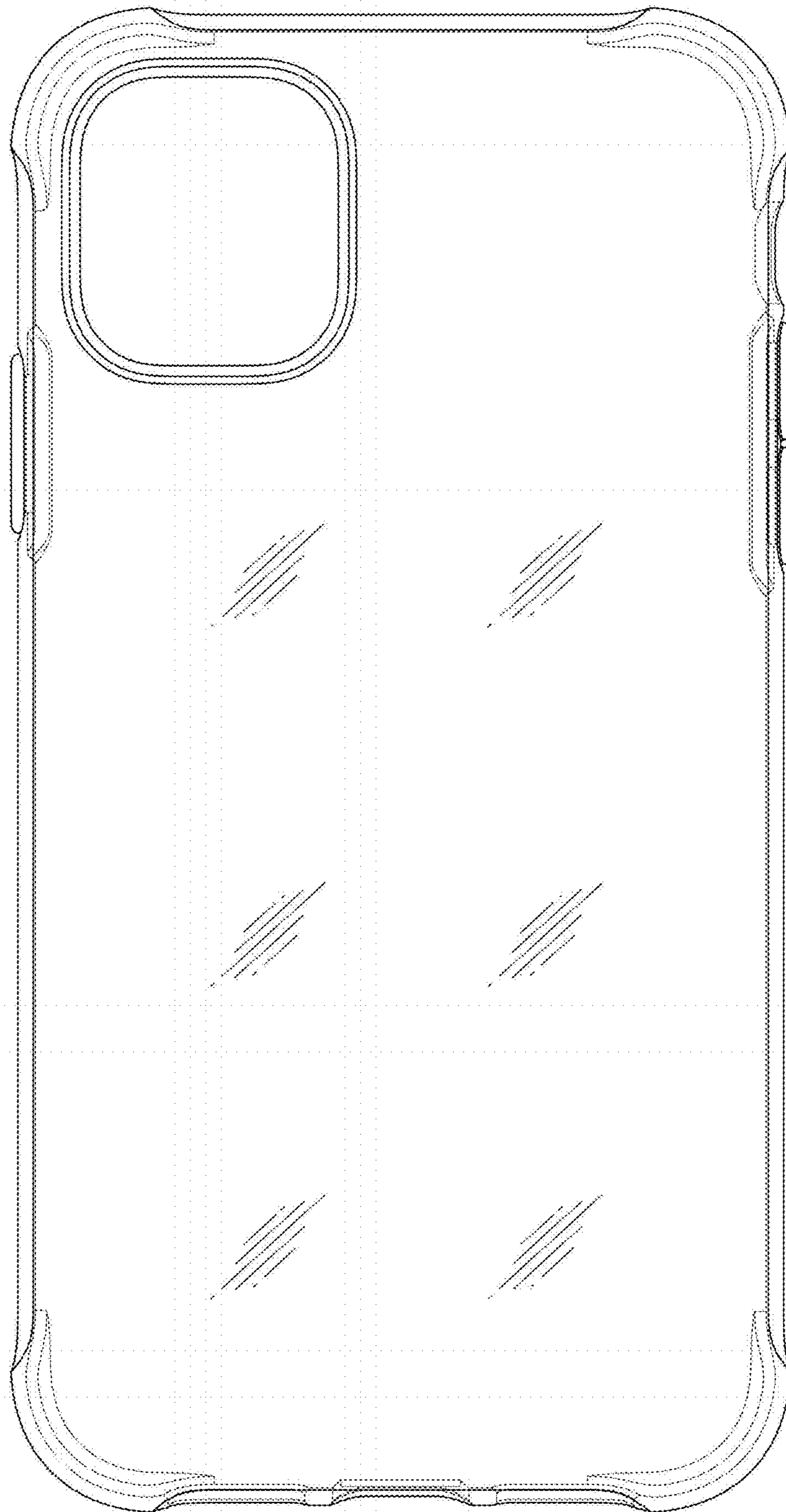


FIG. 5

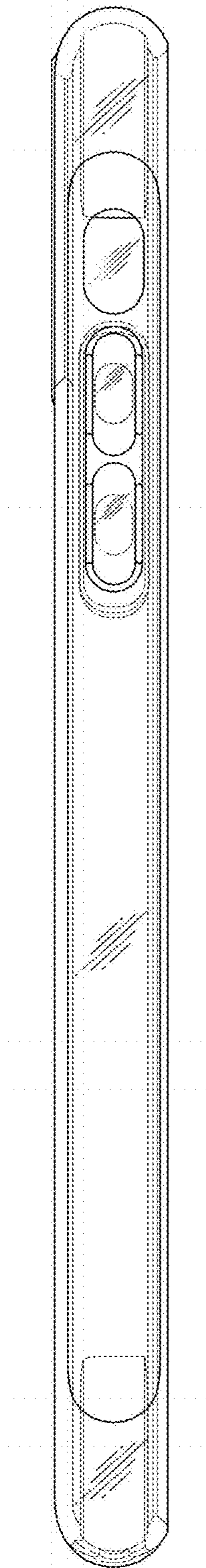


FIG. 6

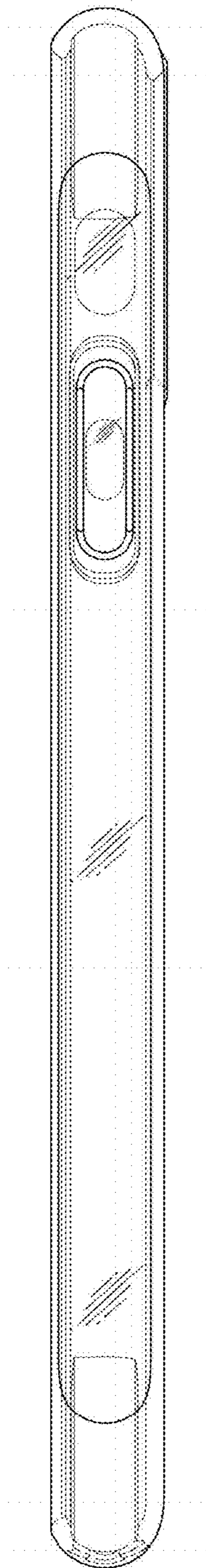




FIG. 7

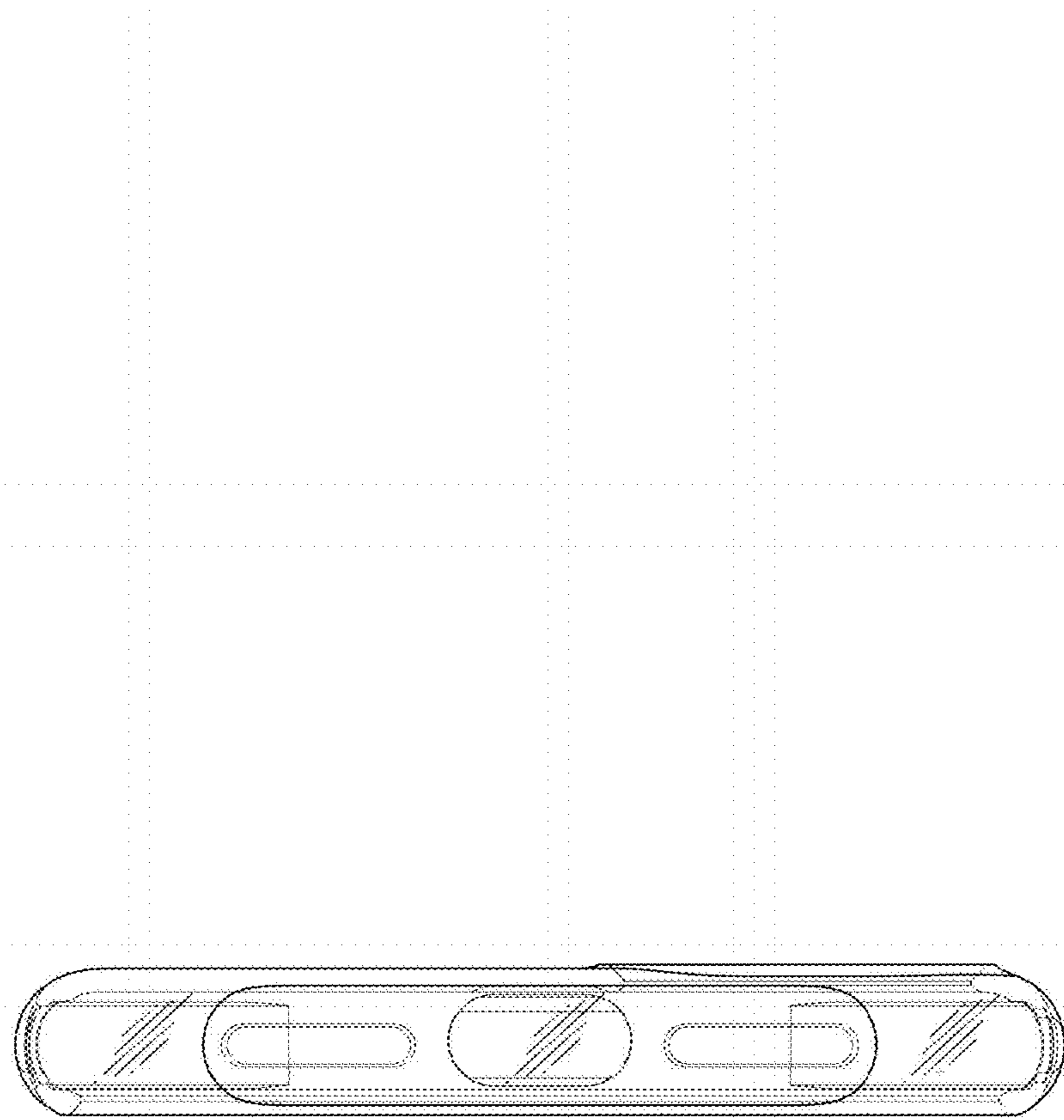


FIG. 8

