



US00D894878S

(12) **United States Design Patent** (10) **Patent No.:** **US D894,878 S**
Yang (45) **Date of Patent:** **** Sep. 1, 2020**

(54) **ANTENNA**
(71) Applicant: **SHENZHEN ANTOP TECHNOLOGY LIMITED**, Shenzhen, Guangdong (CN)
(72) Inventor: **Ruidian Yang**, Guangdong (CN)
(73) Assignee: **SHENZHEN ANTOP TECHNOLOGY LIMITED**, Shenzhen (CN)
(**) Term: **15 Years**
(21) Appl. No.: **29/690,471**
(22) Filed: **May 8, 2019**
(51) **LOC (12) Cl.** **14-03**
(52) **U.S. Cl.**
USPC **D14/230**
(58) **Field of Classification Search**
USPC D14/138, 230-238, 299, 358; D12/42, D12/43
CPC H01Q 7/00; H01Q 13/10; H01Q 9/285; H01Q 19/30; H01Q 19/12; H01Q 1/38; H01Q 1/36; H04B 1/0475; H04B 1/034; H05K 11/00
See application file for complete search history.

(56) **References Cited**
U.S. PATENT DOCUMENTS
D211,028 S * 5/1968 Zucconi D14/230
D398,611 S * 9/1998 Read D14/230
D425,068 S * 5/2000 Melin D14/230
D470,837 S * 2/2003 Tourres D14/230
D486,829 S * 2/2004 Wang D14/480.5
D595,699 S * 7/2009 Skottke D14/230
7,782,268 B2 * 8/2010 Carroll H01Q 23/00 343/758
D648,730 S * 11/2011 Huang D14/480.5

D659,686 S * 5/2012 Podduturi D14/230
D673,533 S * 1/2013 Ennabli D14/230
D747,228 S * 1/2016 Fiedler D10/104.1
D793,262 S * 8/2017 Geskin Zinovi D10/104.1
D810,059 S * 2/2018 Weber D14/230
D843,359 S * 3/2019 Moon D14/240
D853,262 S * 7/2019 Geskin Zinovi D10/104.1
D860,023 S * 9/2019 MacMahon D10/106.1
D876,409 S * 2/2020 Lee D14/240
D878,233 S * 3/2020 Huang D10/106.6
2001/0054983 A1 * 12/2001 Judd H01Q 23/00 343/810
2005/0207166 A1 * 9/2005 Kan F21V 29/75 362/373
2006/0176235 A1 * 8/2006 Gottl H01Q 1/52 343/872
2011/0260944 A1 * 10/2011 Ferris H01Q 1/246 343/872

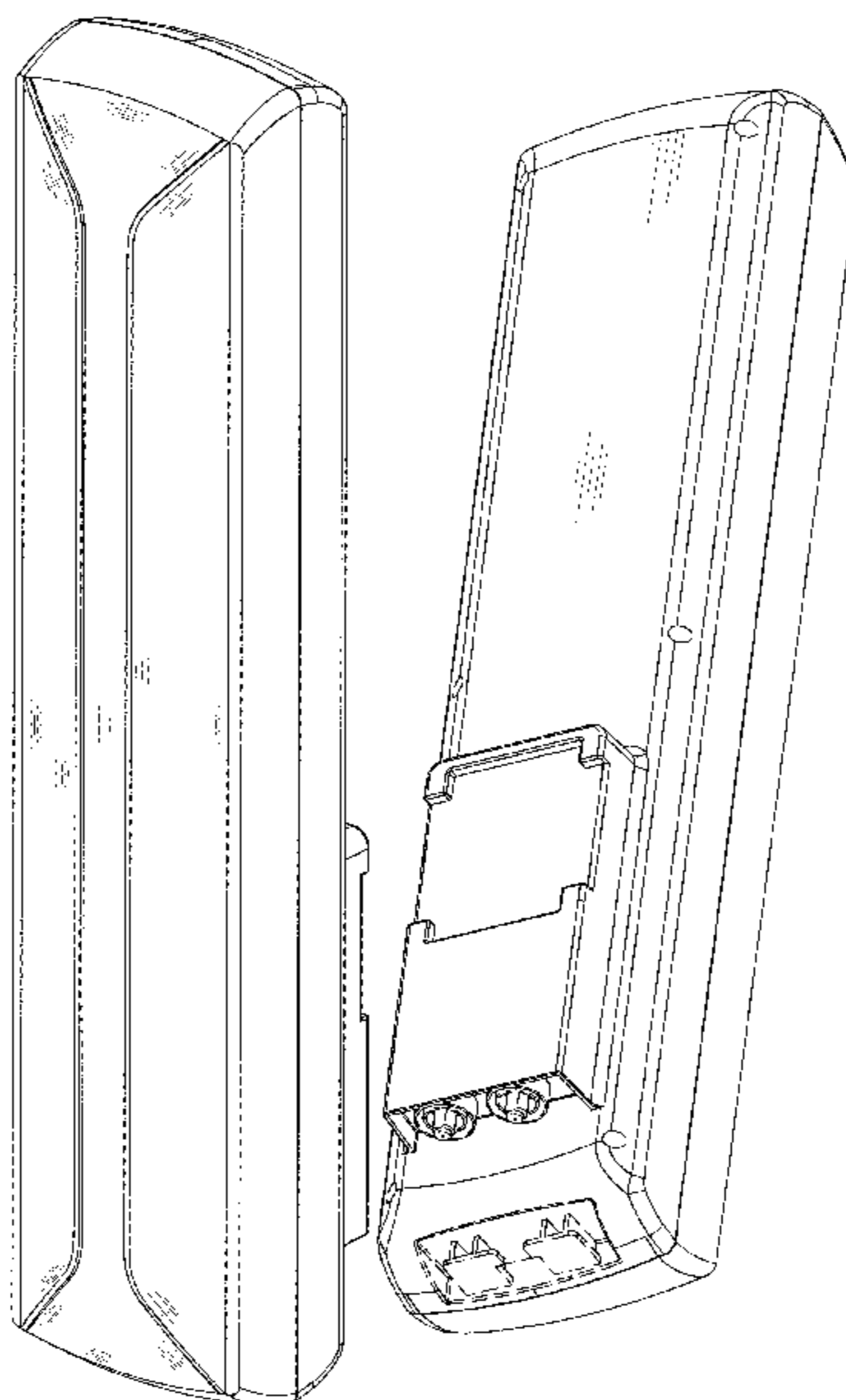
* cited by examiner

Primary Examiner — John Windmuller
(74) *Attorney, Agent, or Firm* — Muncy, Geissler, Olds & Lowe, P.C.

(57) **CLAIM**
The ornamental design for an antenna, as shown and described.

DESCRIPTION
FIG. 1 is a front perspective view of an antenna showing my new design;
FIG. 2 is a rear perspective view thereof;
FIG. 3 is a front elevational view thereof;
FIG. 4 is a rear elevational view thereof;
FIG. 5 is a left side view thereof;
FIG. 6 is a right side view thereof;
FIG. 7 is a top plan view thereof; and,
FIG. 8 is a bottom plan view thereof.
The broken lines are for the purpose of illustrating portions of the antenna which form no part of the claimed design.

1 Claim, 8 Drawing Sheets



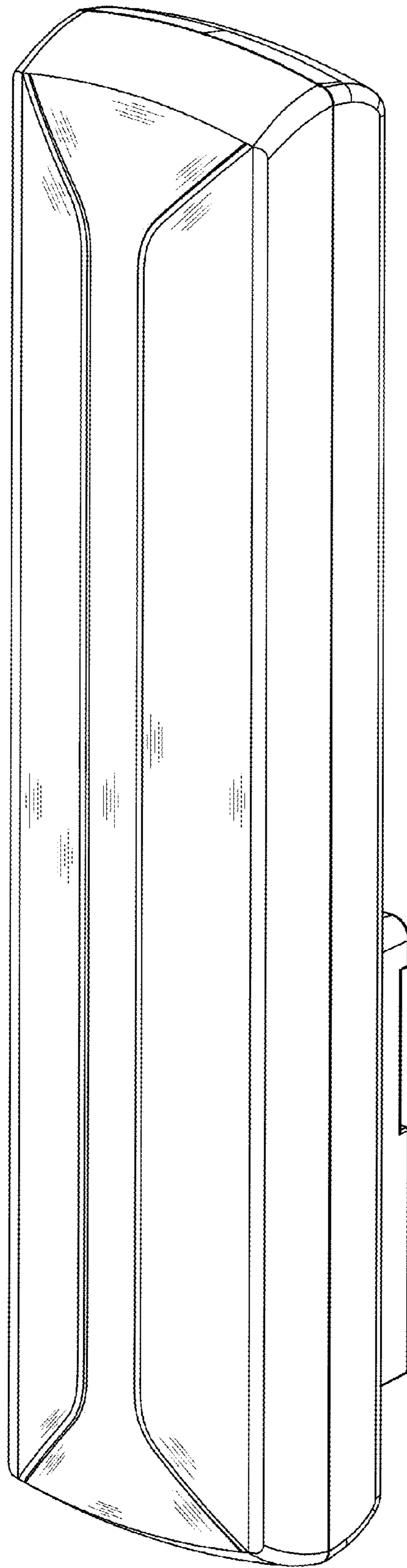


FIG. 1

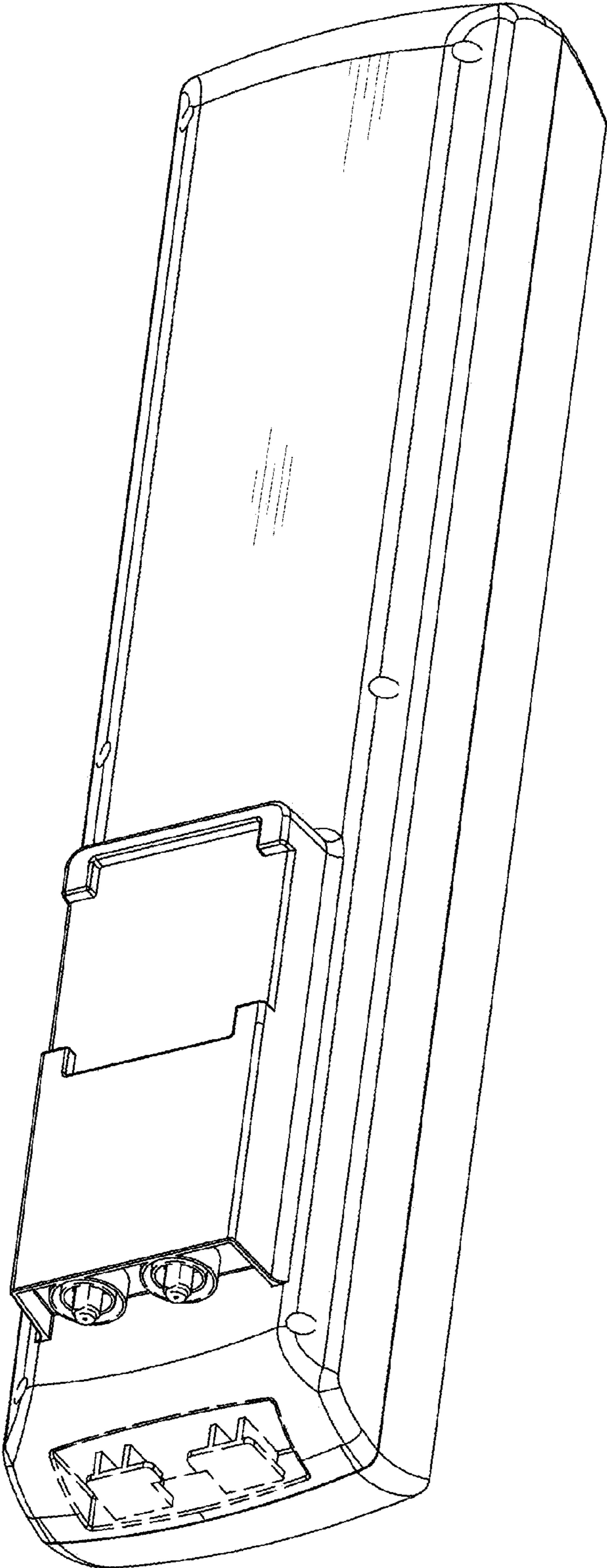


FIG.2

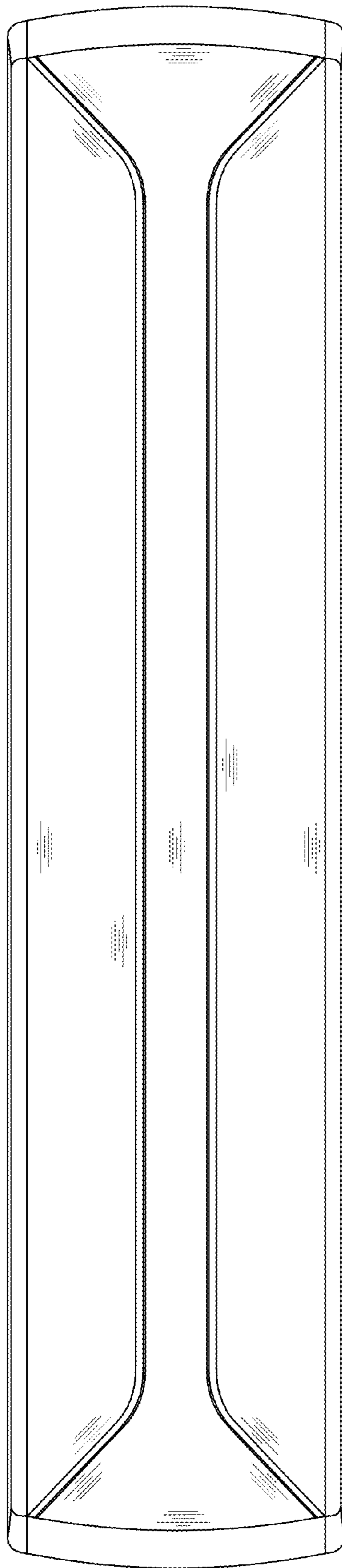


FIG.3

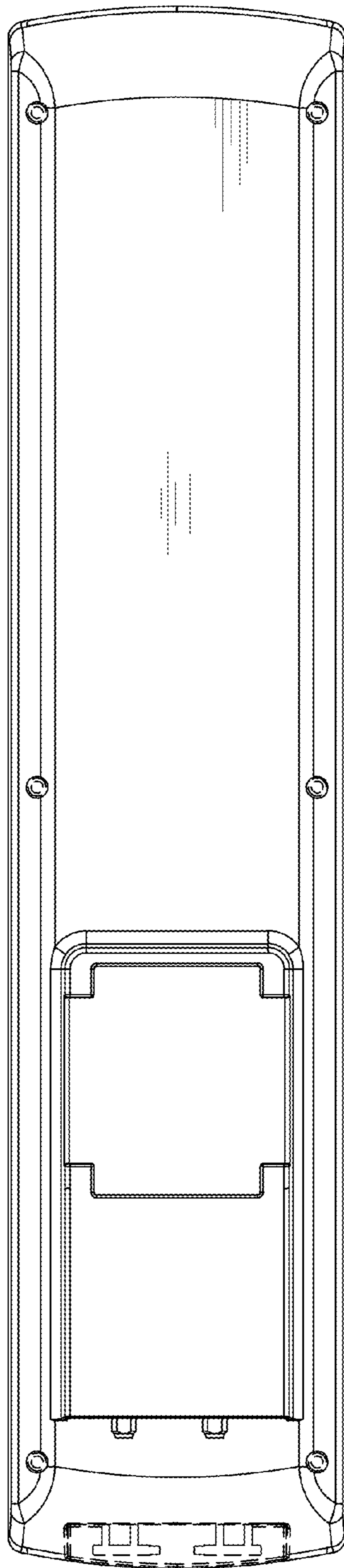


FIG.4

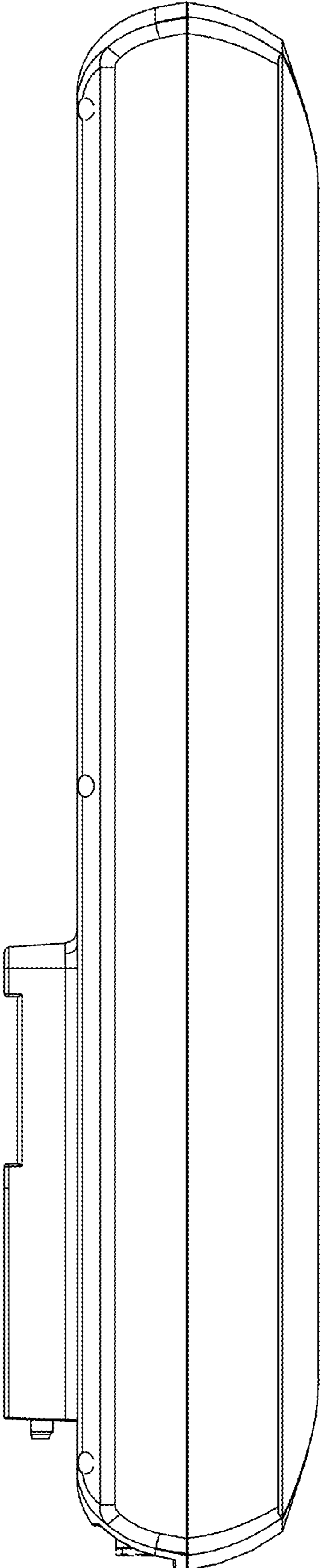


FIG.5

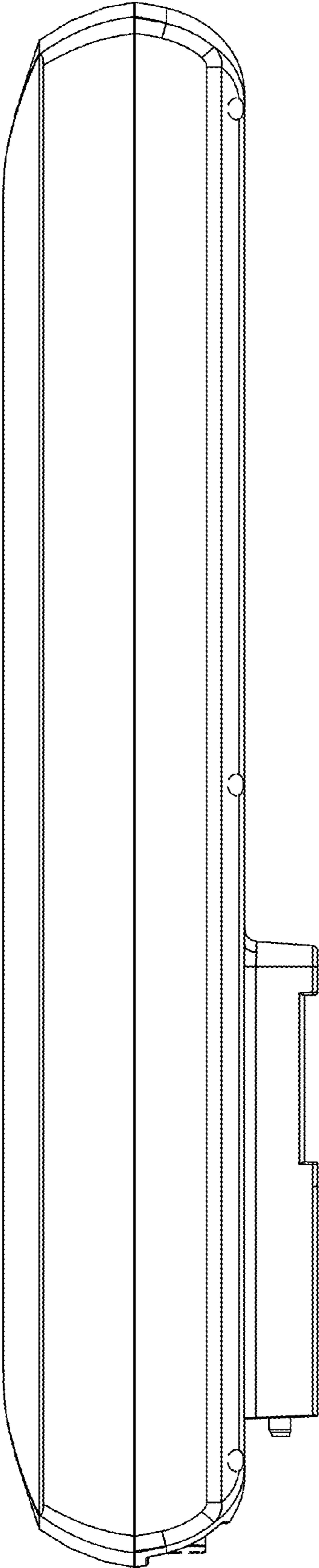


FIG.6

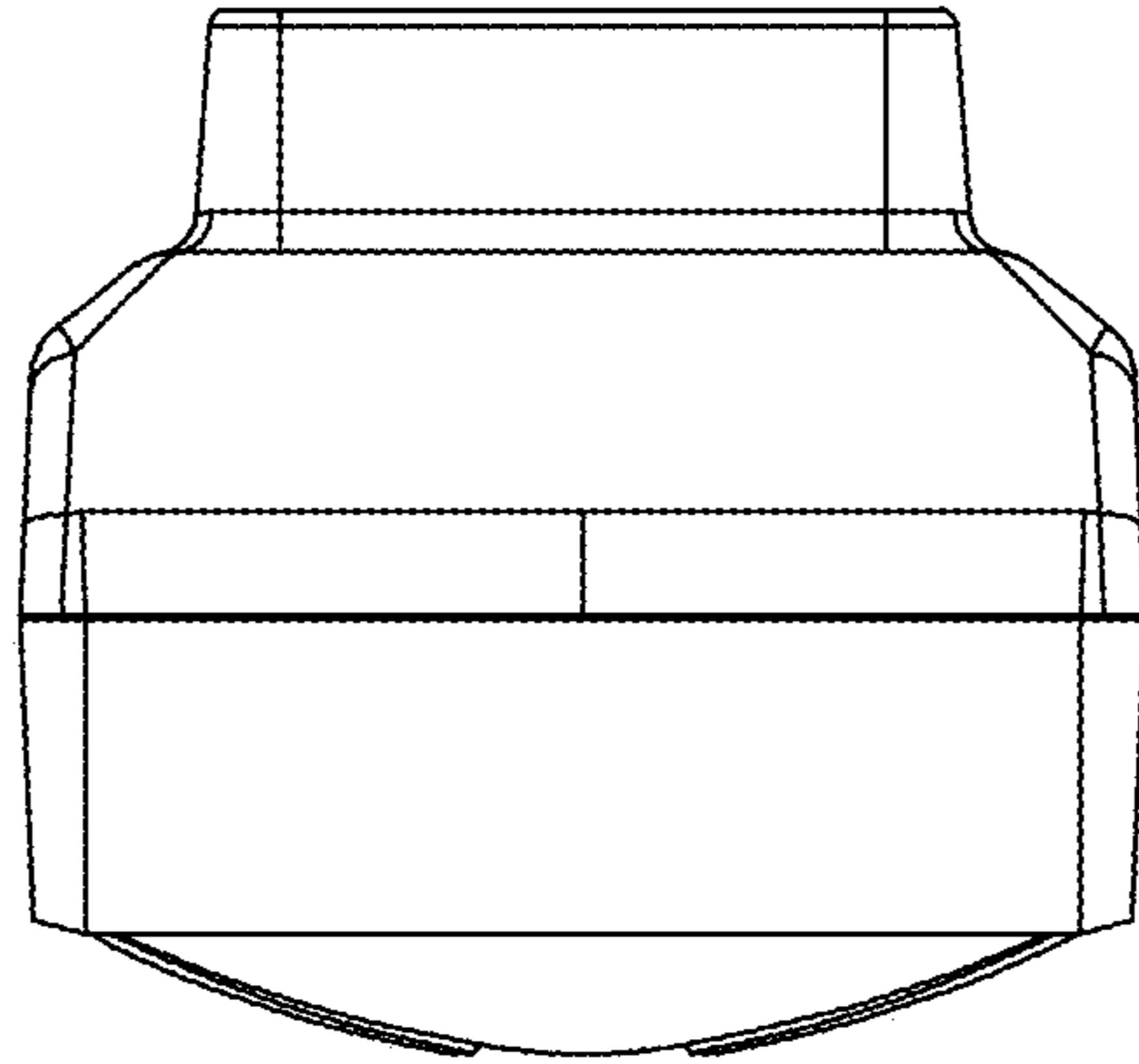


FIG.7

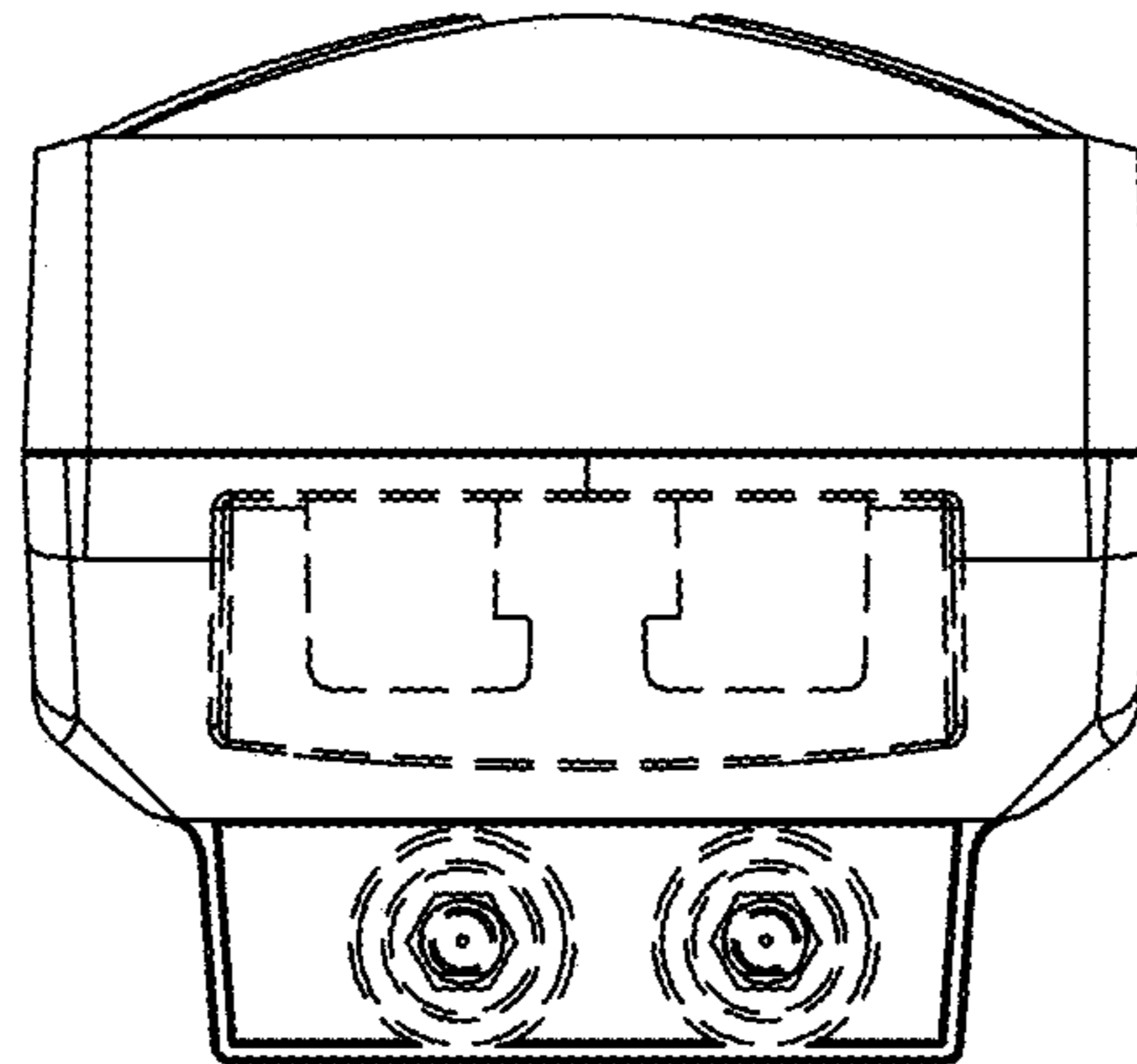


FIG.8