

US00D894875S

(12) **United States Design Patent**
Zhao

(10) **Patent No.:** **US D894,875 S**
(45) **Date of Patent:** **** Sep. 1, 2020**

- (54) **EARPHONES**
- (71) Applicant: **SHENZHEN TAIFEITONG TECHNOLOGY CO., LTD.**, Shenzhen (CN)
- (72) Inventor: **Ling Fei Zhao**, Luzhou (CN)
- (73) Assignee: **SHENZHEN TAIFEITONG TECHNOLOGY CO., LTD.**, Shenzhen (CN)

- 6,122,369 A * 9/2000 Hwang H04M 1/6058
379/420.04
- D479,834 S * 9/2003 Salazar D14/205
- D481,377 S * 10/2003 Eguchi D14/223
- D499,397 S * 12/2004 Hlas D14/223
- D512,049 S * 11/2005 Yang D14/205
- D554,109 S * 10/2007 Ledbetter D14/223
- D555,152 S * 11/2007 Wang D14/223
- D556,741 S * 12/2007 Yeo D14/205
- D572,242 S * 7/2008 Yang D14/205
- D573,977 S * 7/2008 Ledbetter D14/205
- D575,269 S * 8/2008 Ledbetter D14/205
- D578,518 S * 10/2008 Ewert D14/223

(Continued)

(**) Term: **15 Years**

- (21) Appl. No.: **29/735,784**
- (22) Filed: **May 24, 2020**
- (51) **LOC (12) Cl.** **14-01**
- (52) **U.S. Cl.**
USPC **D14/223**
- (58) **Field of Classification Search**
USPC D14/223, 205; D24/174; 128/864, 865,
128/866; 381/380, 381, 322, 370;
455/90.3, 575.1, 569.1
CPC H04R 1/10; H04R 25/00; H04R 1/105;
H04R 1/1066; H04R 1/1016; H04R
1/1091; H04R 5/02; H04R 1/083
See application file for complete search history.

FOREIGN PATENT DOCUMENTS

- EM 007975685-0001 * 5/2020
- EM 007978838-0001 * 6/2020
- EM 008020077-0001 * 6/2020

Primary Examiner — Paula Allen Greene

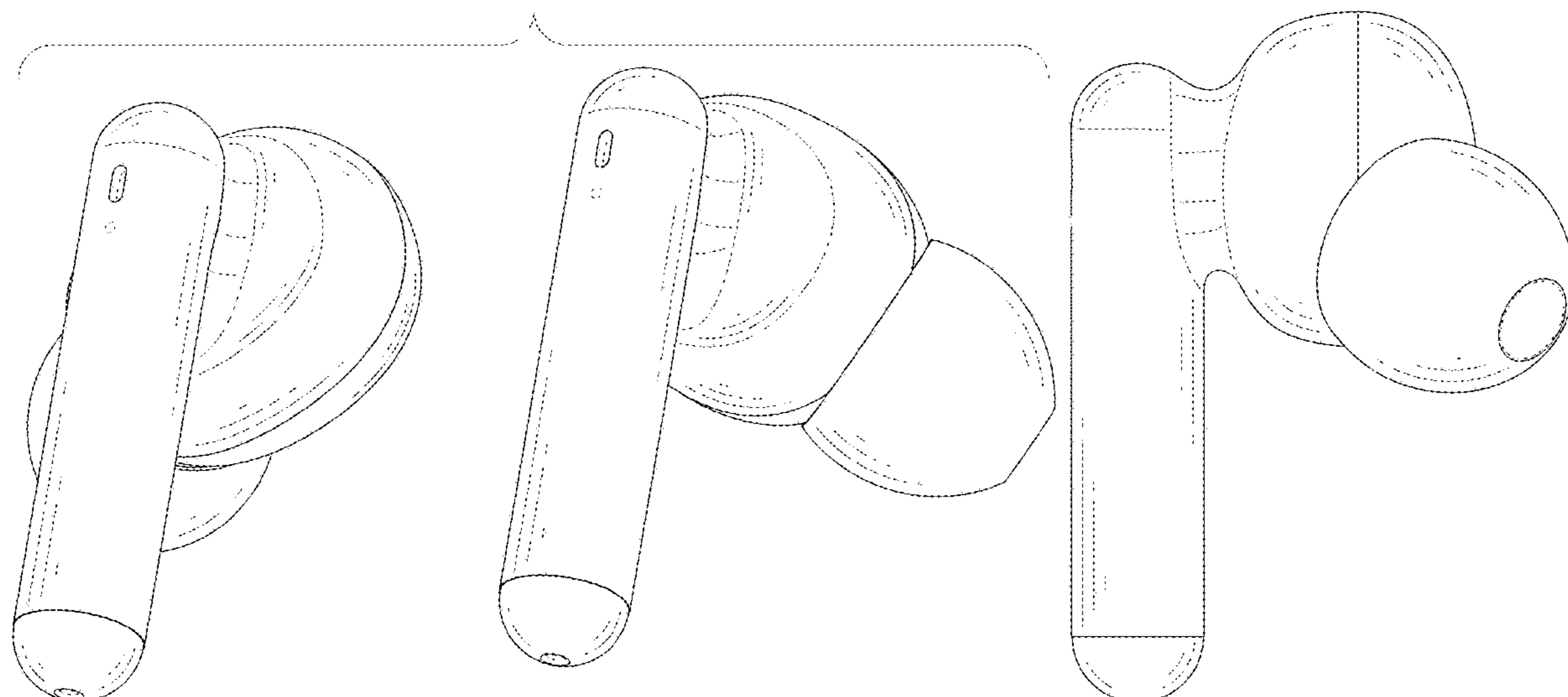
(57) **CLAIM**

The ornamental design for earphones, as shown and described.

DESCRIPTION

FIG. 1 is a perspective view of earphones showing my new design;
 FIG. 2 is another perspective view thereof;
 FIG. 3 is a front elevational view thereof;
 FIG. 4 is a rear elevational view thereof;
 FIG. 5 is a left side elevational view thereof;
 FIG. 6 is a right side elevational view thereof;
 FIG. 7 is a top plan view thereof;
 FIG. 8 is a bottom plan view thereof; and,
 FIG. 9 is a perspective view of the earphones where the earphones are received in a case.
 The broken line in the drawing depict portions of the earphones that are for illustrative purposes only and form no part of the claimed design.

1 Claim, 9 Drawing Sheets



(56)

References Cited

U.S. PATENT DOCUMENTS

D590,371 S *	4/2009	Leinvuo	D14/205	D760,202 S *	6/2016	Hsieh	D14/223
D593,537 S *	6/2009	Arimoto	D14/205	D770,412 S *	11/2016	Son	D14/205
D627,766 S *	11/2010	Arimoto	D14/223	D780,155 S *	2/2017	Levine	D14/205
D633,086 S *	2/2011	Chen	D14/223	D784,962 S	4/2017	Yang	
D641,738 S *	7/2011	Perez	D14/223	D798,844 S *	10/2017	Nokuo	D14/223
D652,823 S *	1/2012	Chen	H04R 1/1016 D14/223	D801,314 S *	10/2017	Akana	D14/223
8,111,861 B2 *	2/2012	Lowry	H04R 1/1016 381/380	D809,477 S *	2/2018	Brunner	D14/205
D657,780 S *	4/2012	Dahlberg	D14/223	D823,246 S *	7/2018	Lin	D13/108
D660,292 S *	5/2012	Rautiainen	D14/223	D830,336 S *	10/2018	Cai	D14/205
D662,493 S *	6/2012	Chen	D14/223	D841,580 S *	2/2019	Bao	D13/108
D664,523 S *	7/2012	Naitou	D14/223	D841,581 S *	2/2019	Bonahoom	D13/108
D666,581 S *	9/2012	Perez	D14/223	D846,264 S *	4/2019	Wu	D3/201
D671,531 S *	11/2012	Kim	D14/223	D847,125 S *	4/2019	Akana	D14/223
D681,015 S *	4/2013	Akana	H04R 1/10 D14/223	D847,794 S *	5/2019	Guo	D14/223
D695,721 S *	12/2013	Thompson	D14/223	D848,979 S *	5/2019	Kim	D14/223
8,712,087 B2 *	4/2014	Ozawa	H04R 1/1016 381/380	D848,982 S *	5/2019	Kim	D14/223
D707,206 S *	6/2014	Akana	H04R 1/10 D14/223	D848,983 S *	5/2019	Kim	D14/223
D711,857 S *	8/2014	Burgett	D14/223	D849,401 S *	5/2019	Akana	D3/274
D718,284 S *	11/2014	Shibusawa	D14/223	D853,116 S *	7/2019	Bergman	D3/294
8,879,768 B2 *	11/2014	Podoloff	H04R 1/1041 381/373	D861,647 S *	10/2019	Chen	D14/223
D718,744 S *	12/2014	Thompson	D14/223	D864,919 S	10/2019	Bonahoom	
D730,876 S *	6/2015	Dahlberg	D14/223	D869,445 S *	12/2019	Hu	D14/223
D732,008 S *	6/2015	Akana	H04R 1/10 D14/223	D878,336 S *	3/2020	Shiwaku	D14/223
D733,101 S *	6/2015	Pi	D14/223	D882,553 S	4/2020	Wu	
D738,863 S *	9/2015	Laffon de Mazieres	D14/223	D883,960 S	5/2020	Du	
D738,864 S *	9/2015	Lee	D14/223	D885,373 S *	5/2020	Lundback	D14/223
D741,287 S *	10/2015	Harata	D14/205	D888,691 S *	6/2020	Liu	D14/223
9,197,956 B2 *	11/2015	Iseberg	H04R 1/1016	D889,439 S *	7/2020	Hsieh	D14/223
D757,682 S *	5/2016	Perez	D14/205	D890,138 S *	7/2020	Peng	D14/223
				2012/0155692 A1 *	6/2012	Chen	H04R 1/1058 381/380
				2012/0237074 A1 *	9/2012	Aase	H04R 1/1075 381/380
				2013/0004011 A1 *	1/2013	Hayashida	H04R 1/345 381/380
				2015/0382100 A1 *	12/2015	Azmi	H04R 1/2811 381/380
				2017/0164087 A1 *	6/2017	Kurtz	H04R 1/1066

* cited by examiner

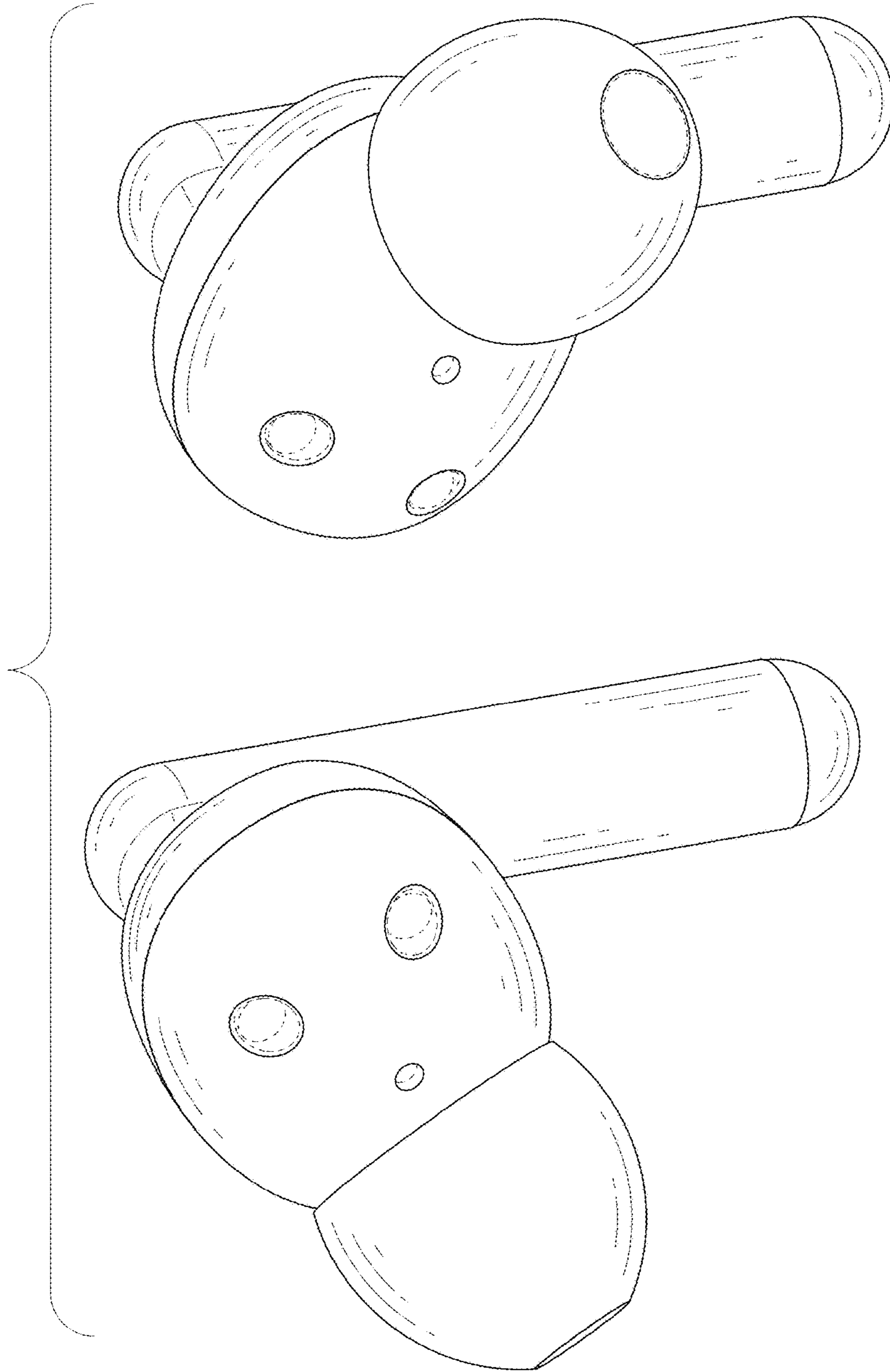


FIG. 1

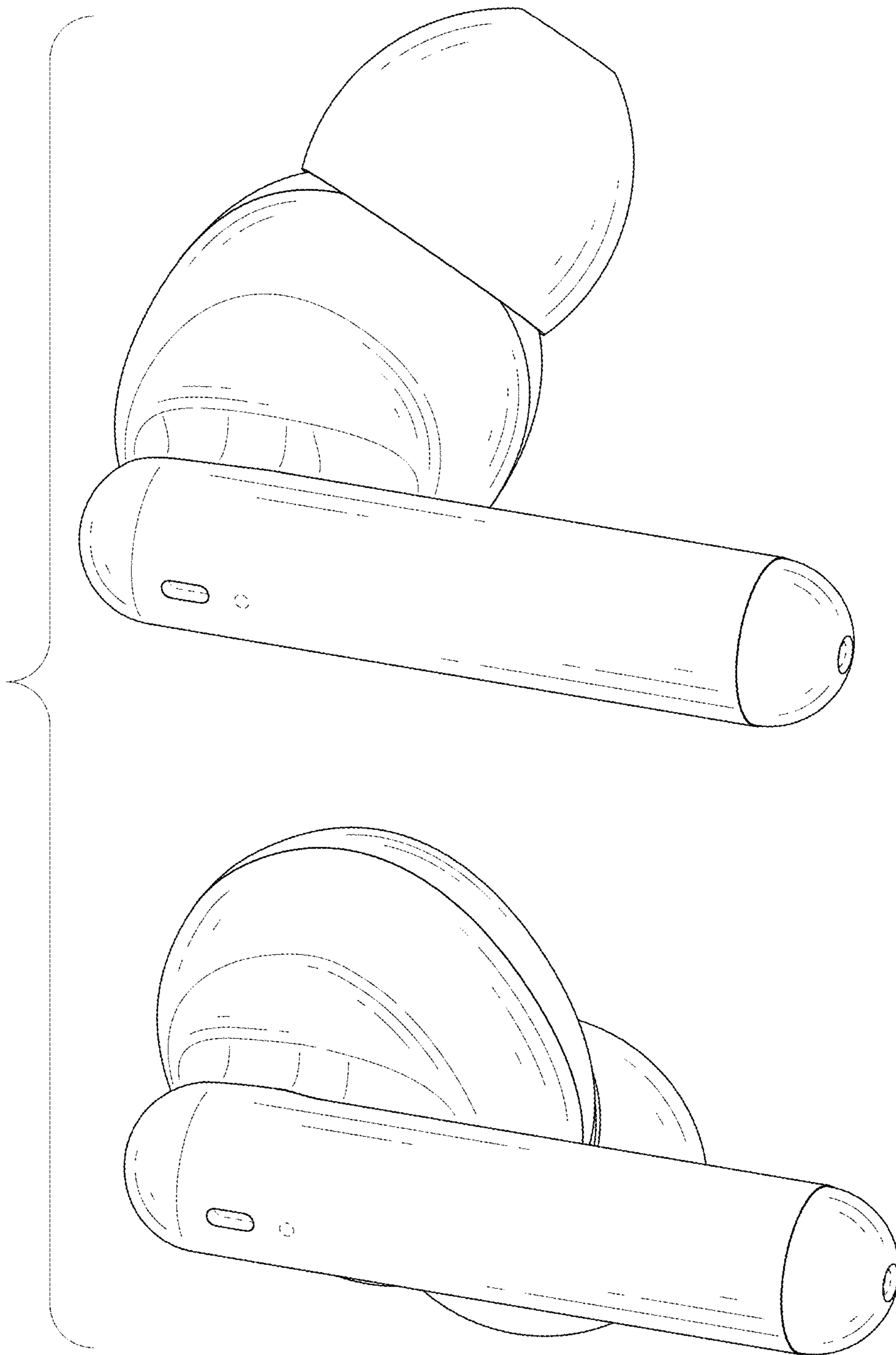


FIG. 2

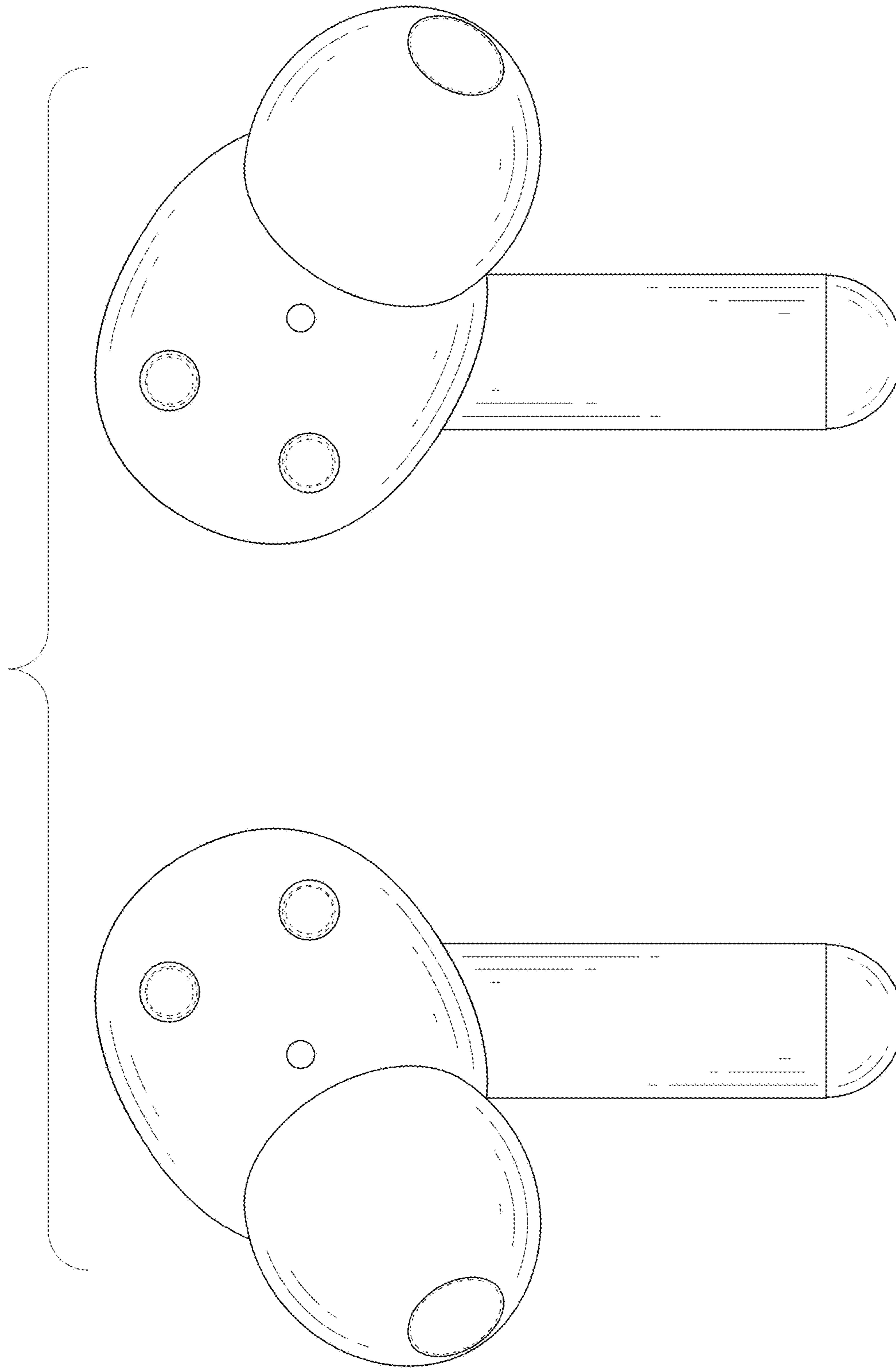


FIG. 3

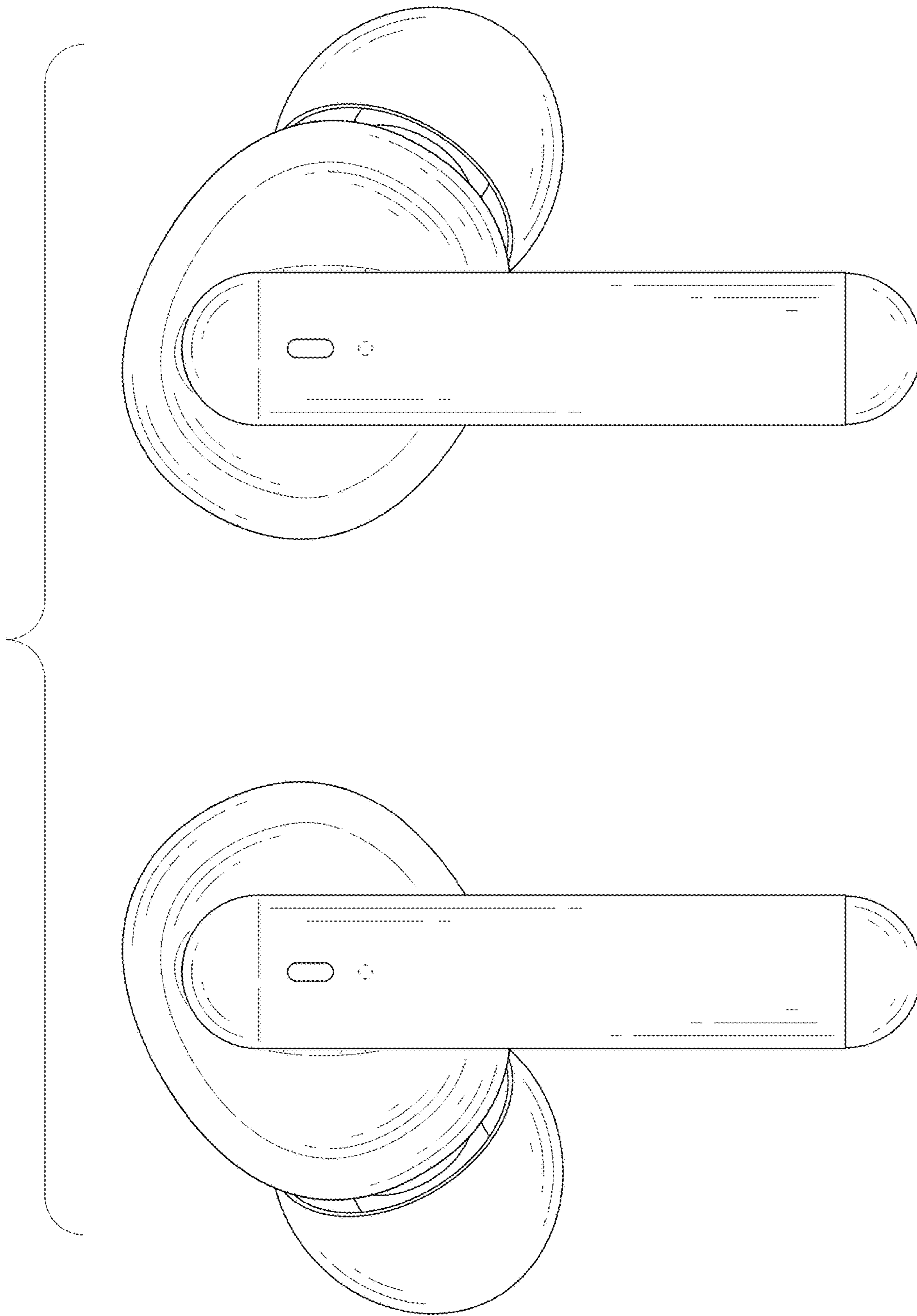


FIG. 4

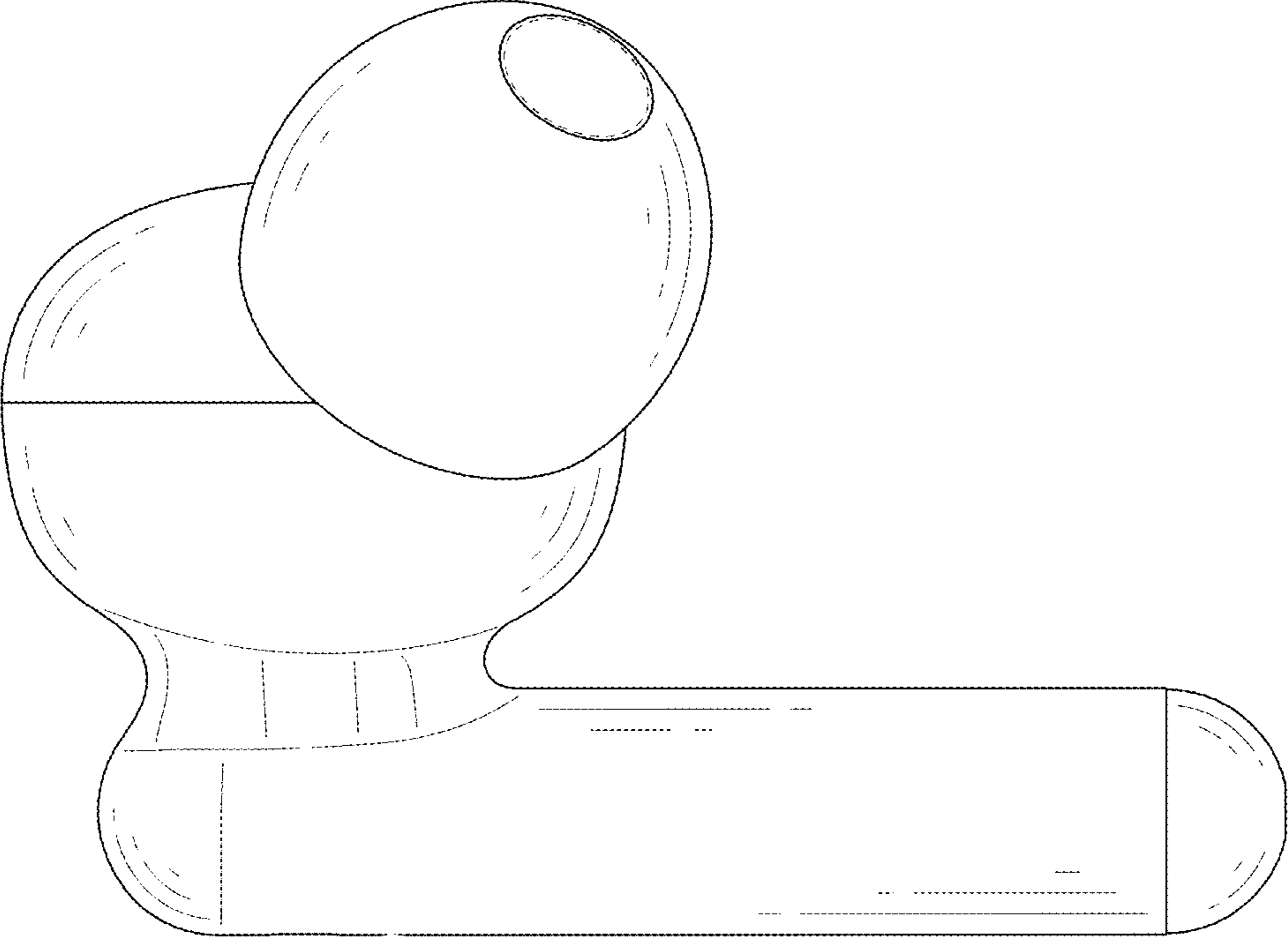


FIG. 5

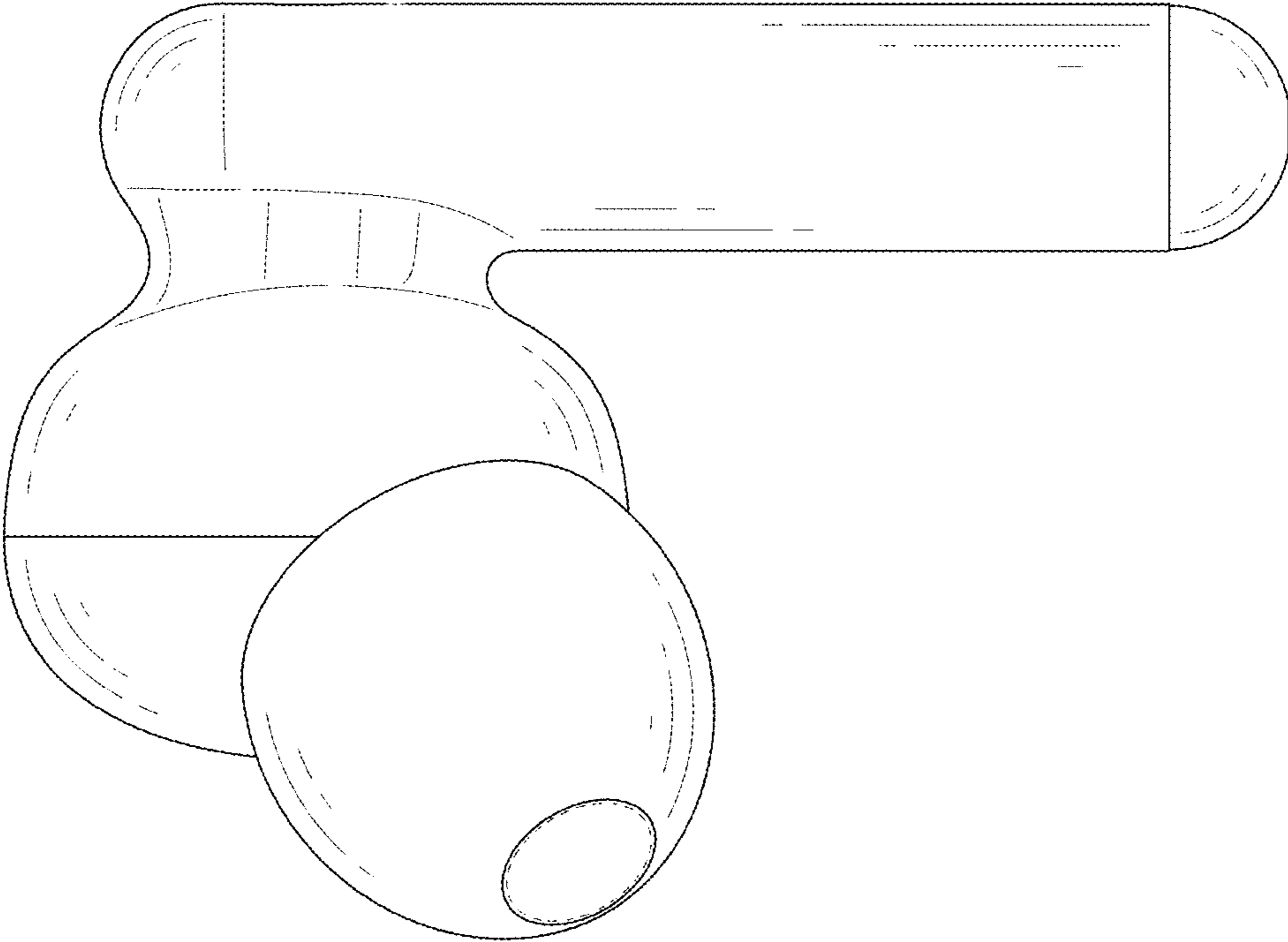


FIG. 6

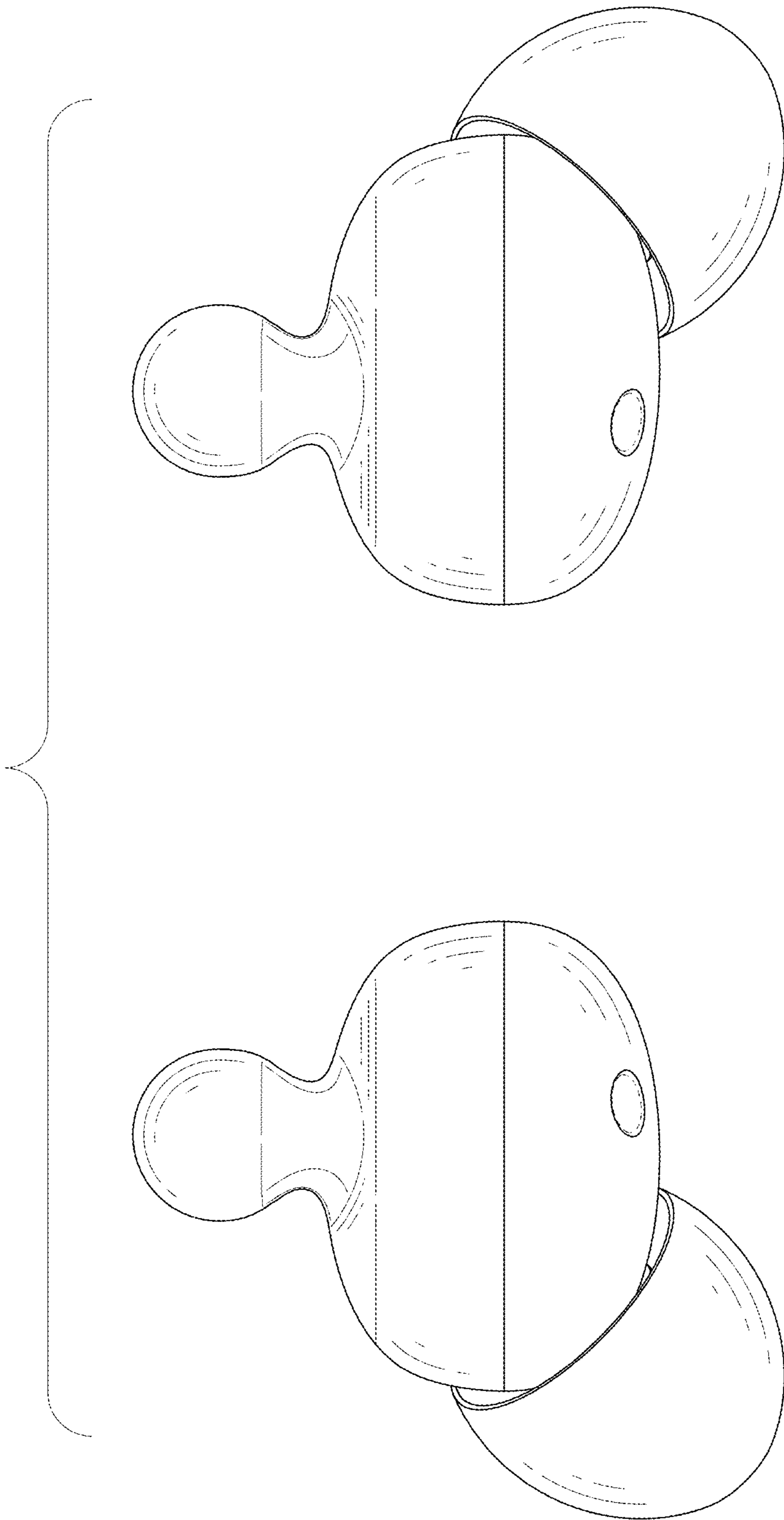


FIG. 7

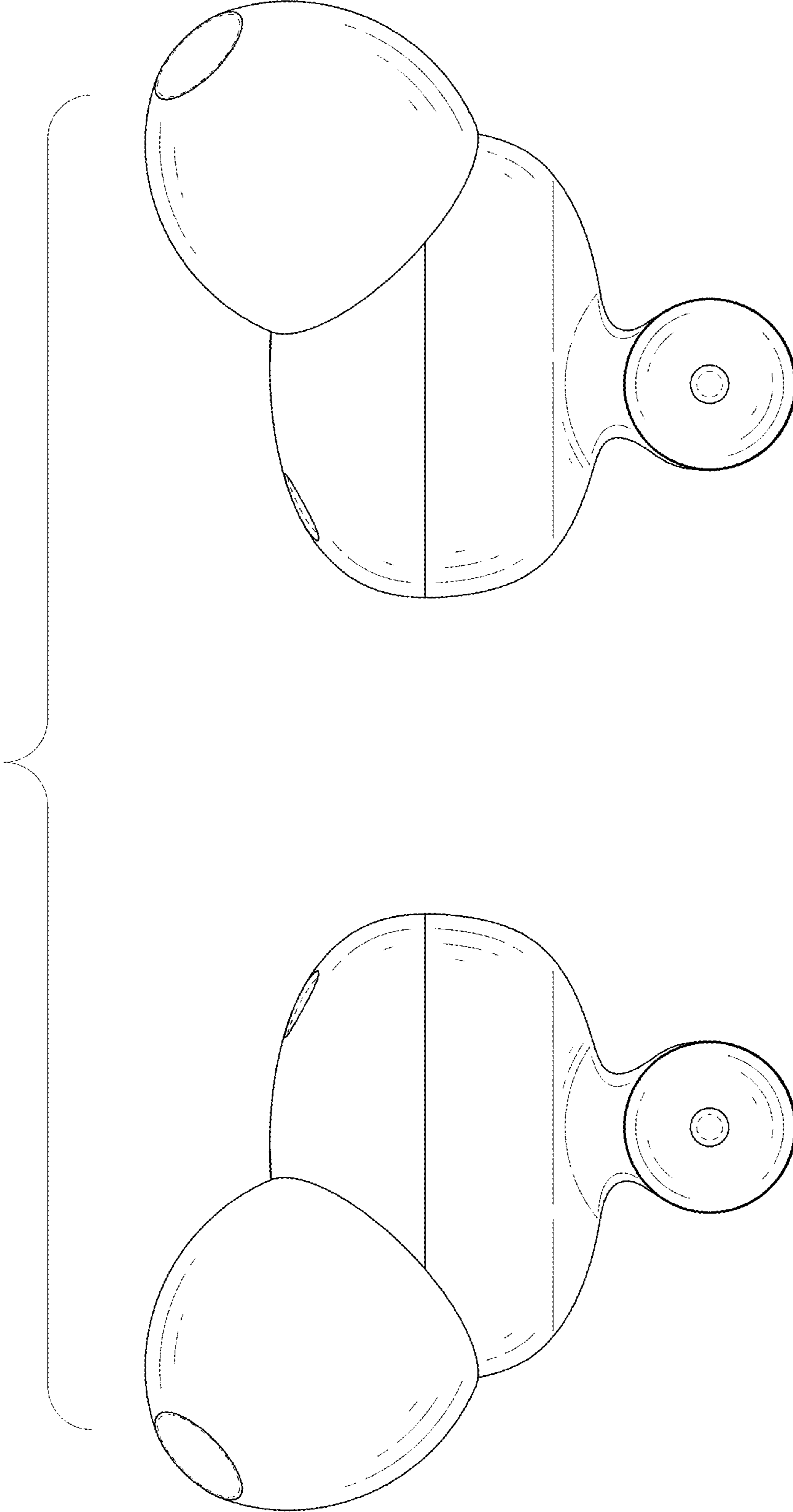


FIG. 8

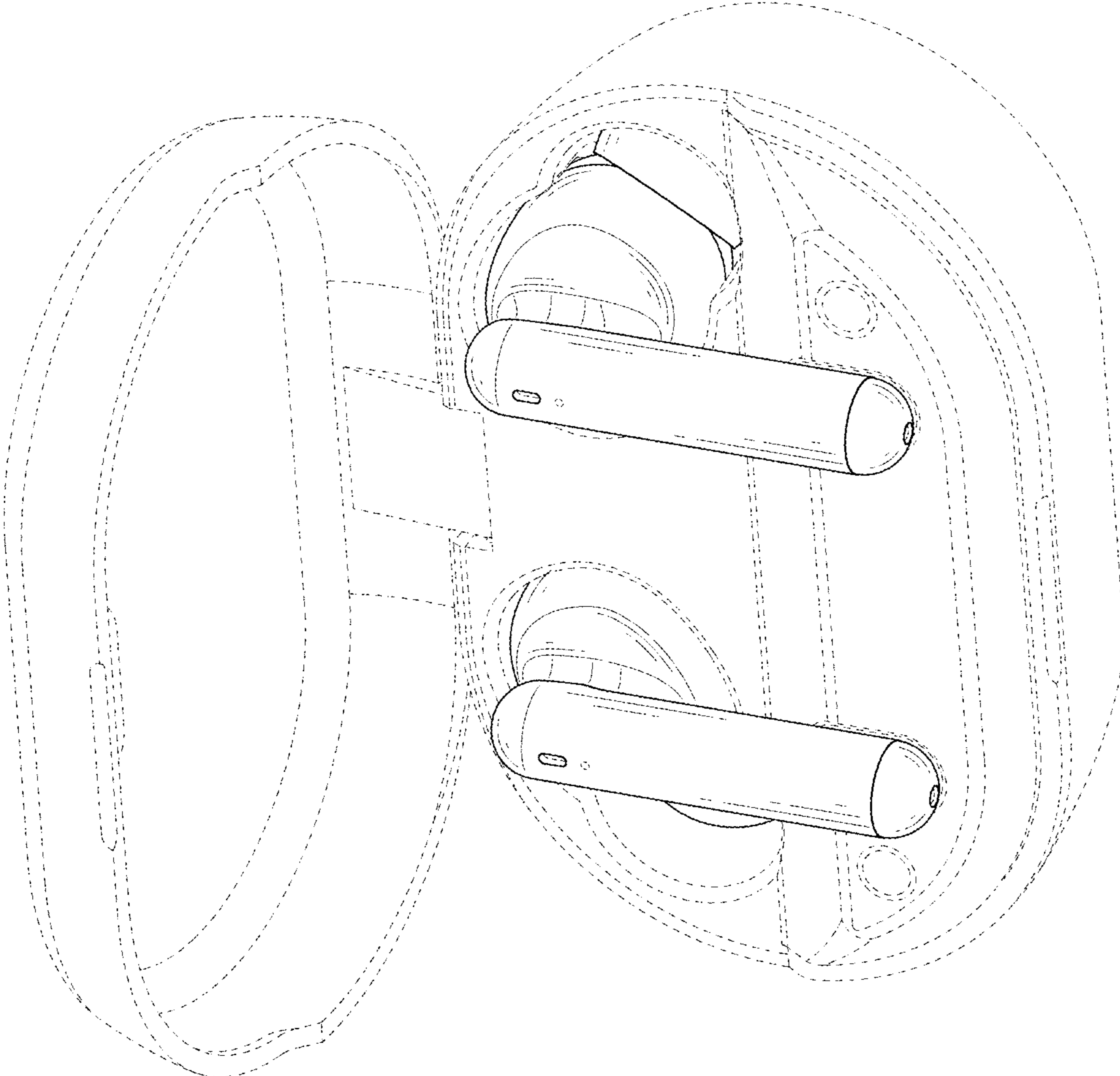


FIG. 9