



US00D894874S

(12) **United States Design Patent**
Fustino

(10) **Patent No.:** **US D894,874 S**
(45) **Date of Patent:** **** Sep. 1, 2020**

(54) **HEADSET**

(71) Applicant: **Bose Corporation**, Framingham, MA (US)

(72) Inventor: **David J. Fustino**, Worcester, MA (US)

(73) Assignee: **Bose Corporation**, Framingham, MA (US)

(**) Term: **15 Years**

(21) Appl. No.: **29/680,363**

(22) Filed: **Feb. 15, 2019**

(51) **LOC (12) Cl.** **14-01**

(52) **U.S. Cl.**

USPC **D14/223**

(58) **Field of Classification Search**

USPC D14/223, 205; D24/174; 128/865, 866;
181/129; 381/381; 455/90.3, 575.1,
455/569.1

CPC H04R 1/10; H04R 25/00; H04R 1/1066;
H04R 1/1016; H04R 5/033; H04R
5/0335; H04R 1/02; H04R 1/105

See application file for complete search history.

(56) **References Cited**

U.S. PATENT DOCUMENTS

1,599,961	A *	9/1926	Hall	A61F 11/008 181/129
2,474,135	A *	6/1949	White	H04R 25/656 381/381
2,513,746	A *	7/1950	Rohr	H04R 25/604 181/135
D179,150	S *	11/1956	Norris	D14/192
D180,695	S *	7/1957	Norris	D14/192
2,910,679	A *	10/1959	Baldwin	G08B 21/06 340/575
3,045,225	A *	7/1962	Baldwin	G08B 21/06 340/575

(Continued)

FOREIGN PATENT DOCUMENTS

EM 000682612-0002 * 2/2007
EM 006374930-0001 * 4/2019

OTHER PUBLICATIONS

Prototype Headset (as shown in attached image) on display at RunDisney Health & Fitness Expo on Nov. 1, 2018.

Primary Examiner — Paula Allen Greene

(57) **CLAIM**

The ornamental design for headset, substantially as shown and described.

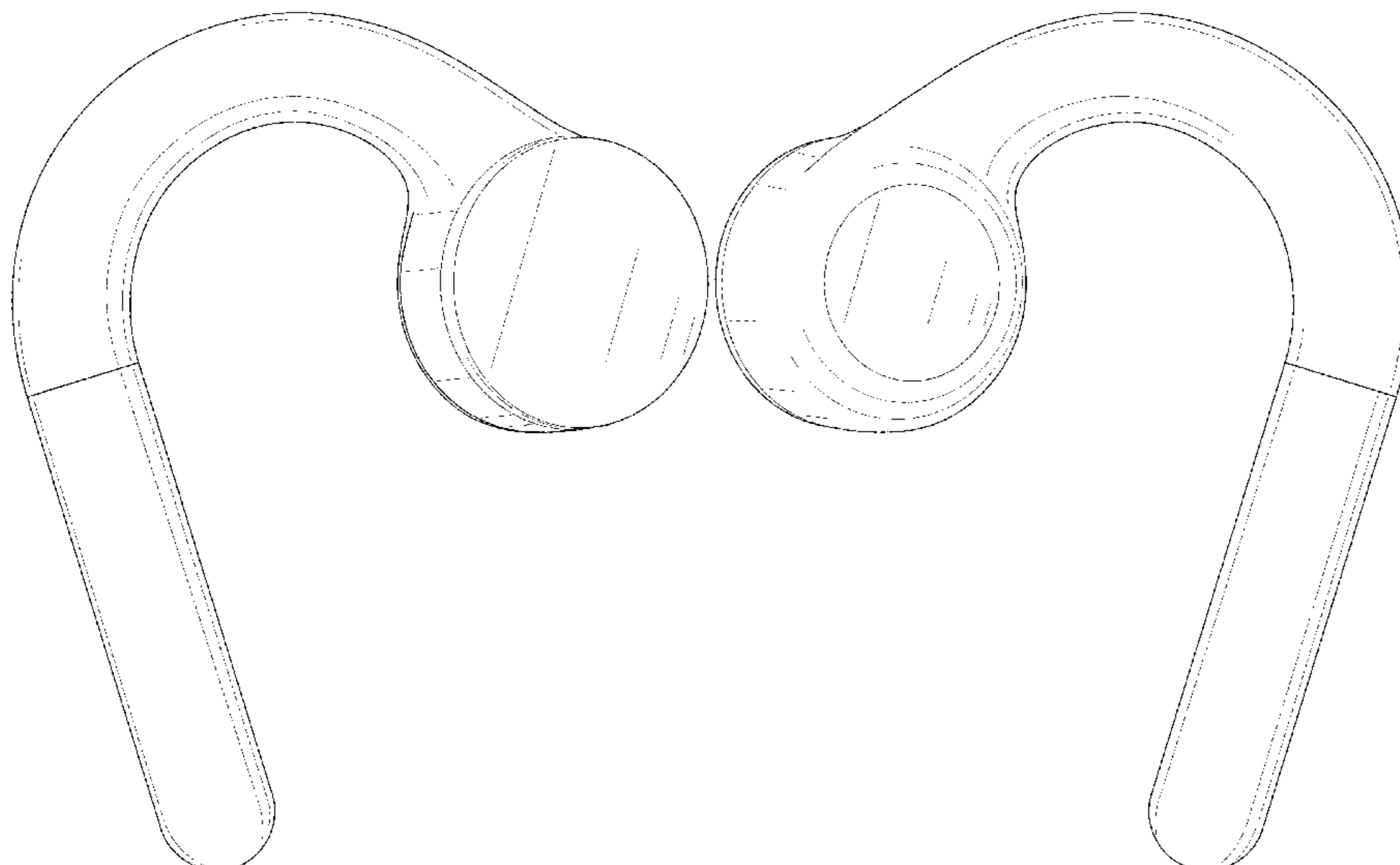
DESCRIPTION

FIG. 1 is a perspective view of a headset as seen from the front, top, and right side;
FIG. 2 is a front view thereof;
FIG. 3 is a back view thereof;
FIG. 4 is a right side view thereof;
FIG. 5 is a left side view thereof;
FIG. 6 is a top view thereof;
FIG. 7 is a bottom view thereof;
FIG. 8 is a perspective view of a second implementation of a headset as seen from the front, top, and right side;
FIG. 9 is a front view thereof;
FIG. 10 is a back view thereof;
FIG. 11 is a right side view thereof;
FIG. 12 is a left side view thereof;
FIG. 13 is a top view thereof; and
FIG. 14 is a bottom view thereof.

The ornamental design is shown on one headset, for the right ear of a user, in FIGS. 1 through 7, and 8 through 14. A mirror-image of the design would be used for a headset for the left ear.

The dotted line portions of the drawings represent environmental structure only and do not form part of the claimed design.

1 Claim, 14 Drawing Sheets



(56)

References Cited

U.S. PATENT DOCUMENTS

3,234,467 A * 2/1966 Haveson H01Q 1/24
455/157.1
4,585,089 A * 4/1986 Topholm H04R 25/65
181/135
D287,765 S * 1/1987 Topholm D24/174
D299,344 S * 1/1989 Stevens D14/249
4,977,975 A * 12/1990 Lazzeroni A42B 3/166
181/129
5,412,736 A * 5/1995 Keliiliki H04R 1/105
381/330
D383,757 S * 9/1997 Dobrusskin D14/223
D443,261 S * 6/2001 Yuyama D14/223
D471,537 S * 3/2003 Ham D14/223
D480,073 S * 9/2003 Jensen D14/224
D482,022 S * 11/2003 Nakano D14/223
6,728,388 B1 * 4/2004 Nageno H04R 1/105
381/330
D498,227 S * 11/2004 Dyer D14/205
D506,462 S * 6/2005 Han D14/205
D508,911 S * 8/2005 Sanders D14/223
D510,575 S * 10/2005 Leong D14/205
D515,069 S * 2/2006 Naito D14/205
D516,216 S * 2/2006 Portmann D24/174
D518,816 S * 4/2006 Naito D14/205
D530,819 S * 10/2006 Jurkiewicz D24/174
D543,968 S * 6/2007 Wong D14/205
7,231,056 B2 * 6/2007 Chen H04R 1/1066
381/374
7,346,180 B2 * 3/2008 Liao H01R 43/0425
29/750
D571,784 S * 6/2008 Jensen D14/205
D601,126 S * 9/2009 Christopher D14/206
D601,564 S * 10/2009 Maeno D14/400
D603,847 S * 11/2009 Chung D14/223
D617,778 S * 6/2010 Birger D14/223
D625,297 S * 10/2010 Tseng D14/223
D629,397 S * 12/2010 Hensen H04R 5/033
D14/223

D636,762 S * 4/2011 Hensen H04R 5/033
D14/223
D639,787 S * 6/2011 Quek D14/223
D641,884 S * 7/2011 Laperle D24/174
D651,197 S * 12/2011 Birger D14/223
D654,172 S * 2/2012 Naumann D24/174
D667,815 S * 9/2012 Chiu D14/206
8,265,328 B2 * 9/2012 Milde H04R 1/1066
381/370
D698,026 S * 1/2014 Kuwata D24/174
D710,333 S * 8/2014 Davies H04R 1/10
D14/223
D713,385 S * 9/2014 Burgett D14/223
D753,626 S * 4/2016 Tran D14/205
D755,159 S * 5/2016 Birger D14/206
D773,437 S * 12/2016 Lee D14/223
D793,360 S * 8/2017 Birger D14/206
D795,225 S * 8/2017 Sumii D14/223
D809,487 S * 2/2018 Lee D14/223
D816,637 S * 5/2018 Hardi D14/205
D819,594 S * 6/2018 Hosoda D14/205
D853,992 S * 7/2019 Kuh D14/223
D853,993 S * 7/2019 Kuh D14/223
10,368,156 B1 * 7/2019 Beckhart H04R 1/1058
D863,265 S * 10/2019 Hu D14/223
D871,375 S * 12/2019 Meyer D14/223
2002/0080989 A1 * 6/2002 Chi-Lin H04M 1/6058
381/374
2003/0044038 A1 * 3/2003 Shirata H04R 1/105
381/381
2008/0152183 A1 * 6/2008 Janik H04M 1/05
381/375
2009/0214078 A1 * 8/2009 Kuo H04N 5/44504
382/103
2011/0293130 A1 * 12/2011 Huang H04R 1/1016
381/380
2013/0010997 A1 * 1/2013 Tanaka A61B 5/6817
381/380
2014/0314248 A1 * 10/2014 Ruiz H04R 1/1091
381/74
2017/0359644 A1 * 12/2017 Cramer H04R 1/105

* cited by examiner

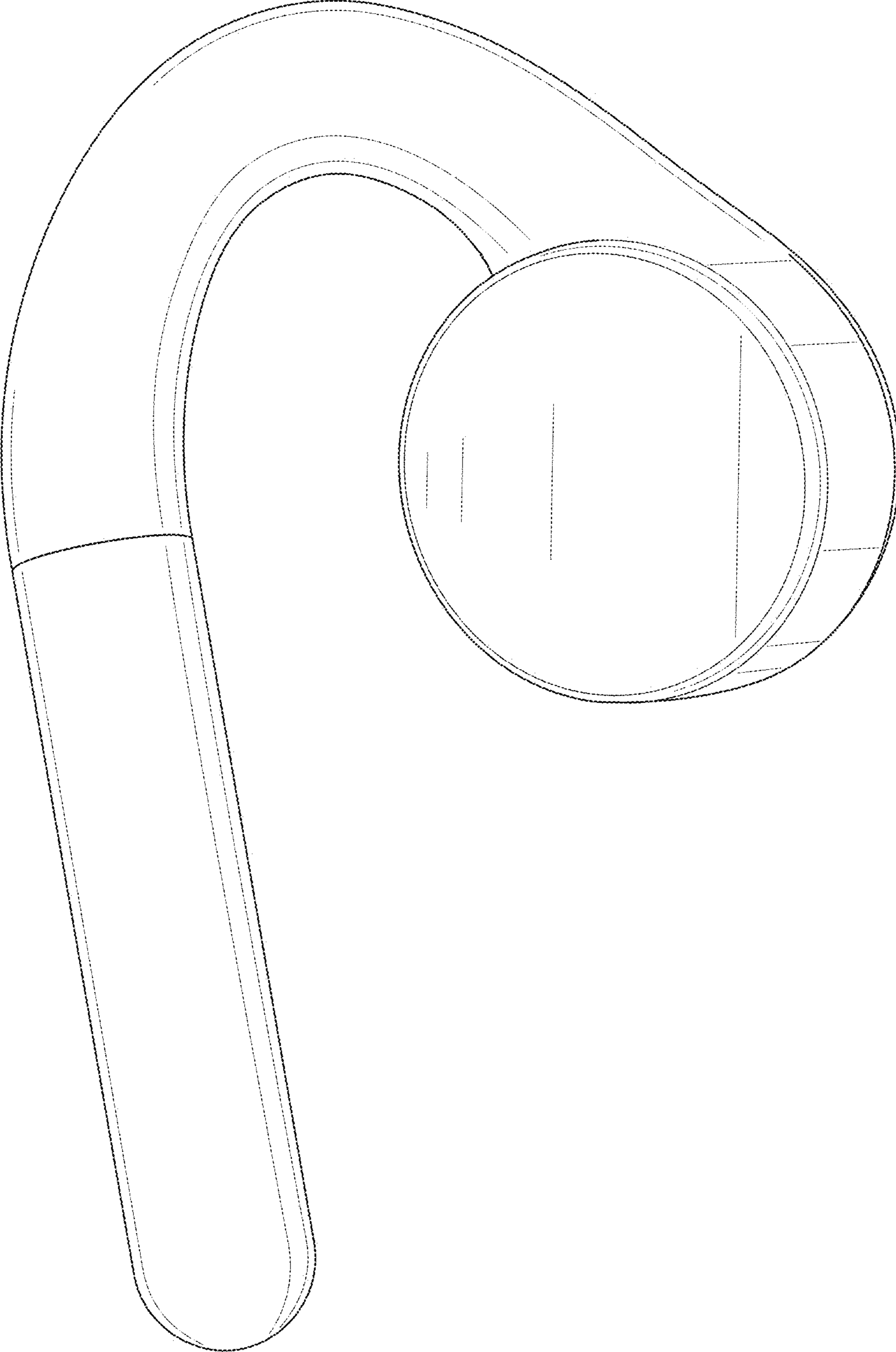


FIG. 1

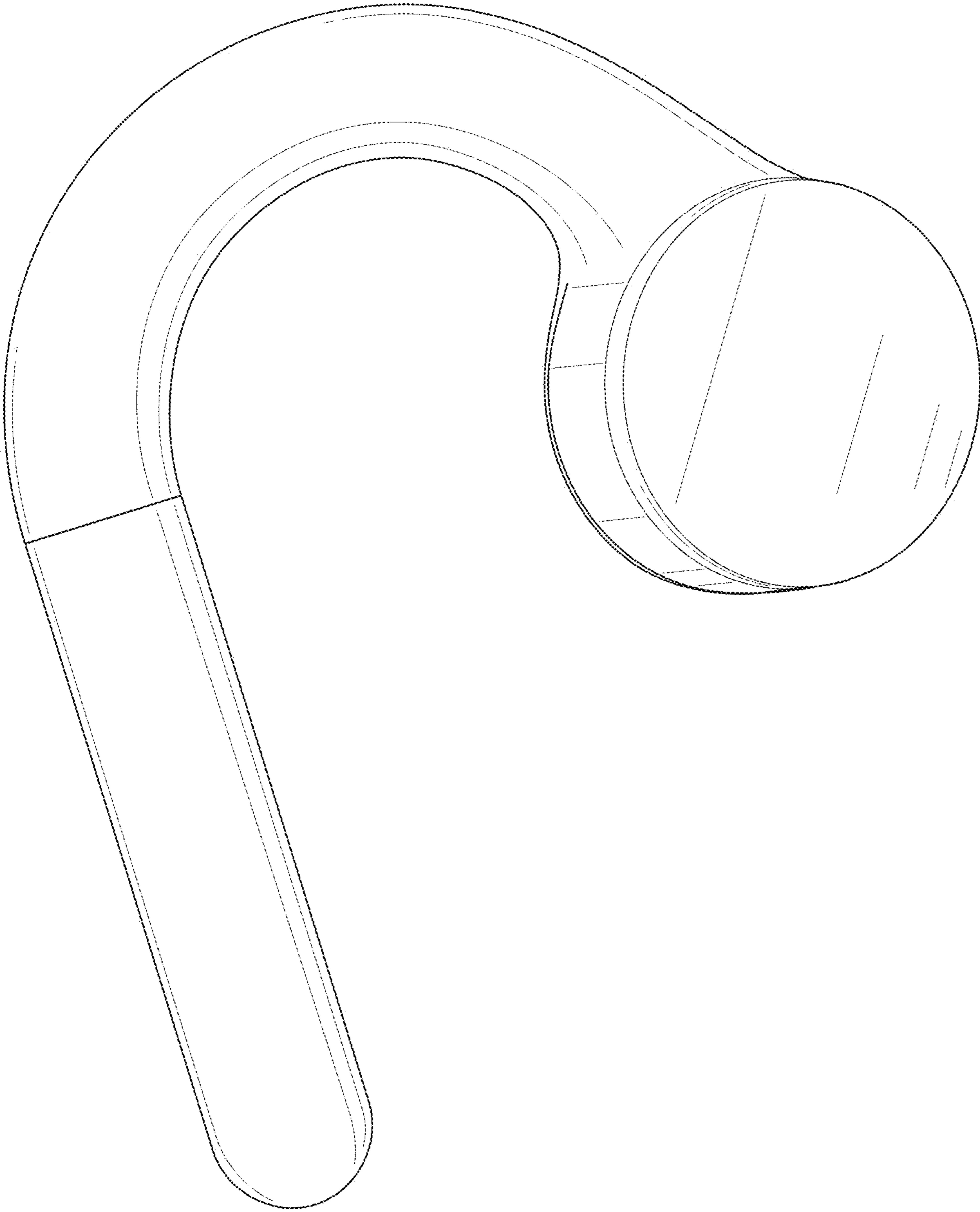


FIG. 2

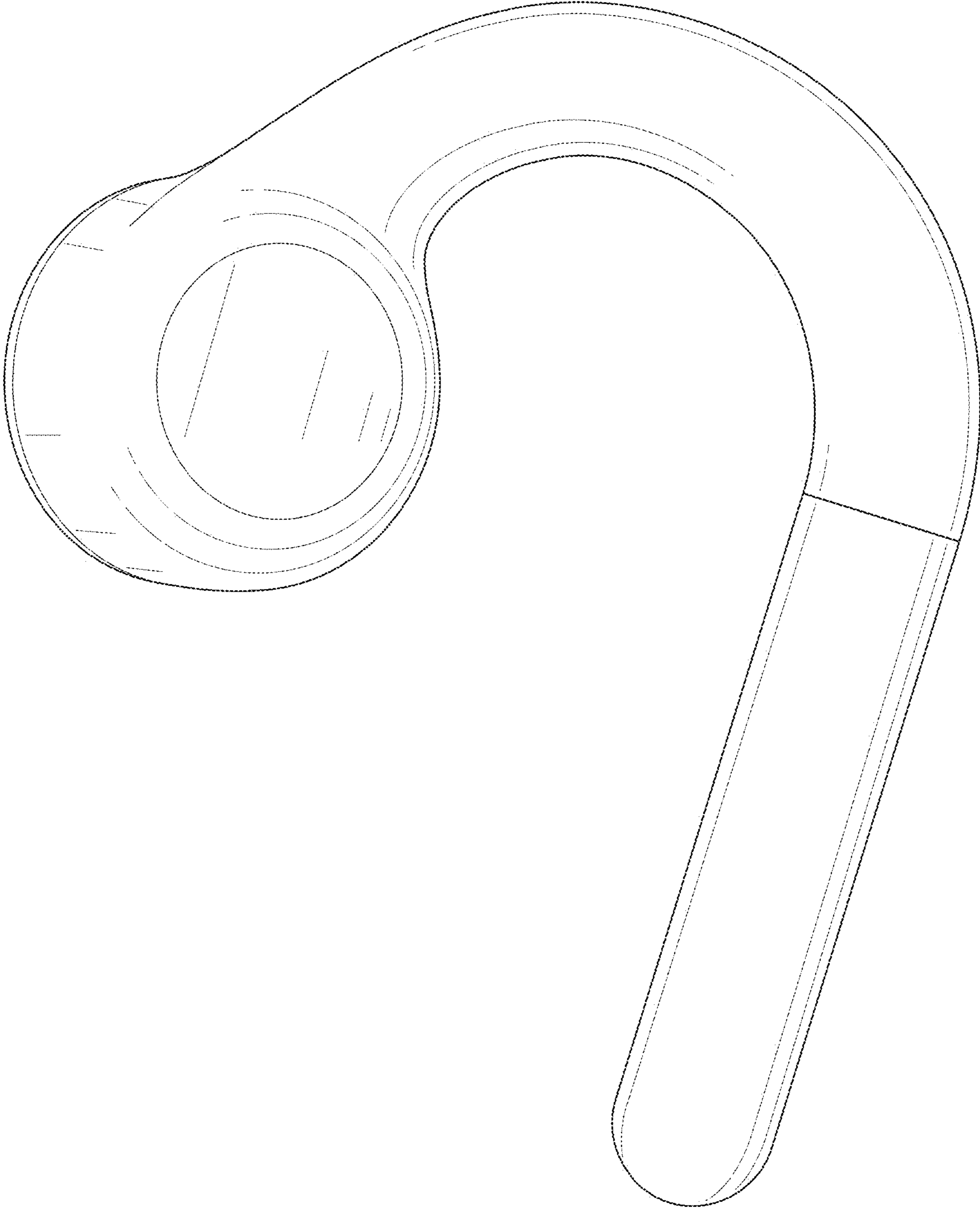


FIG. 3

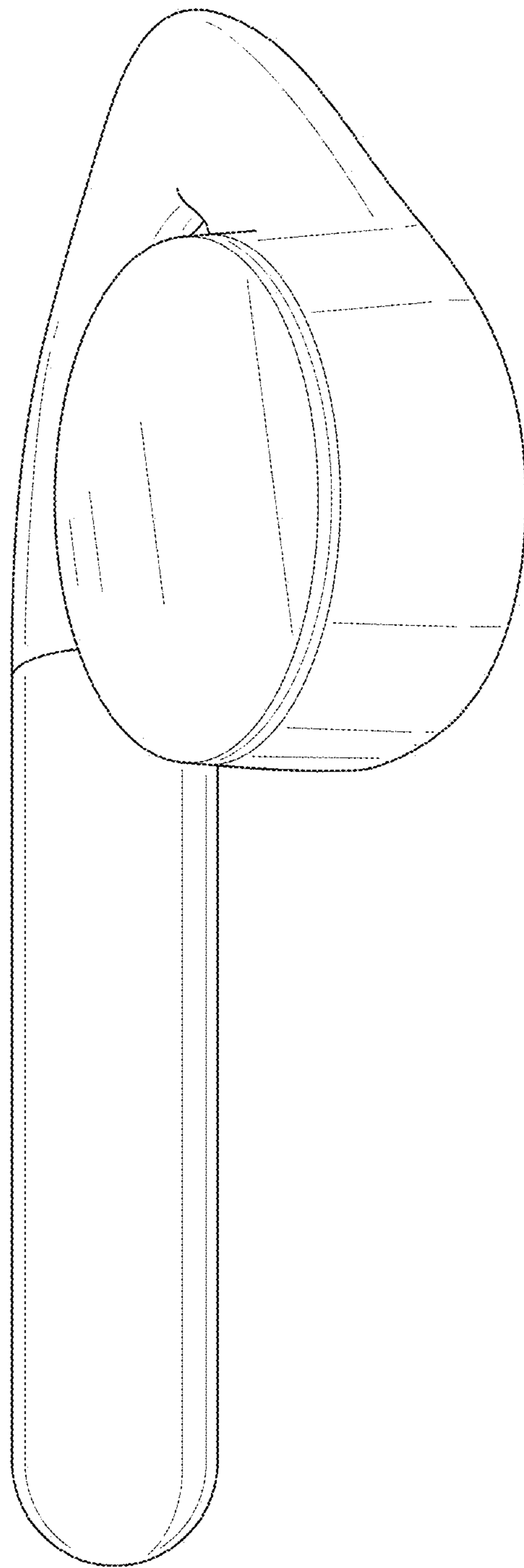


FIG. 4

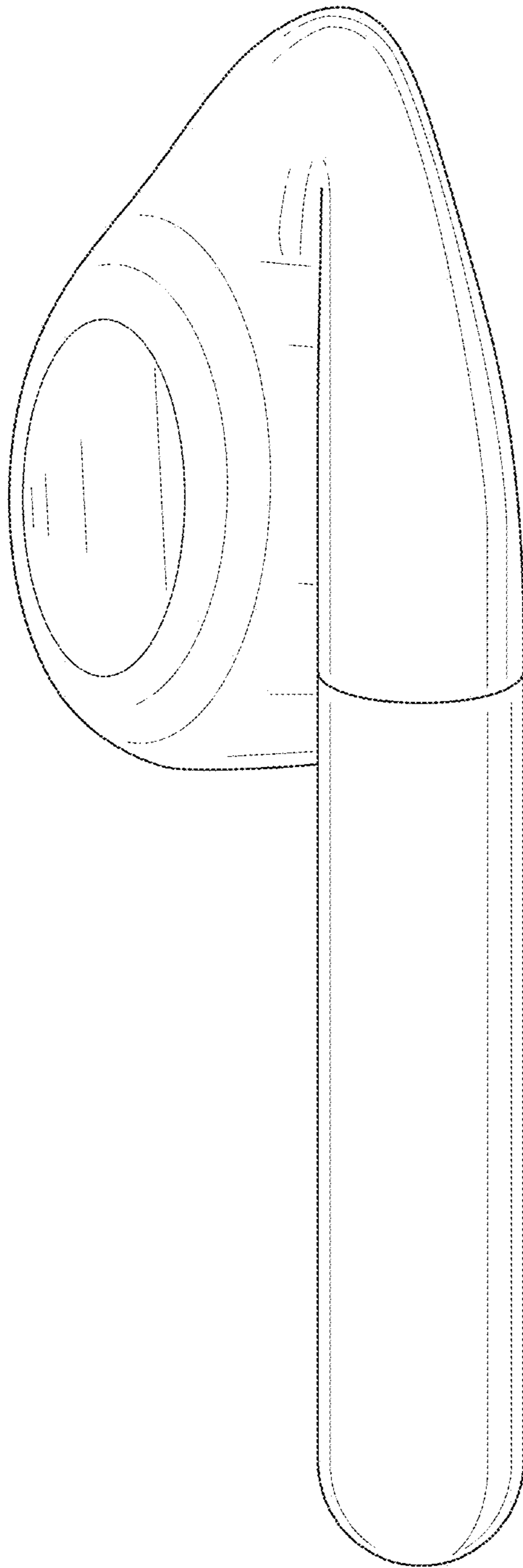


FIG. 5

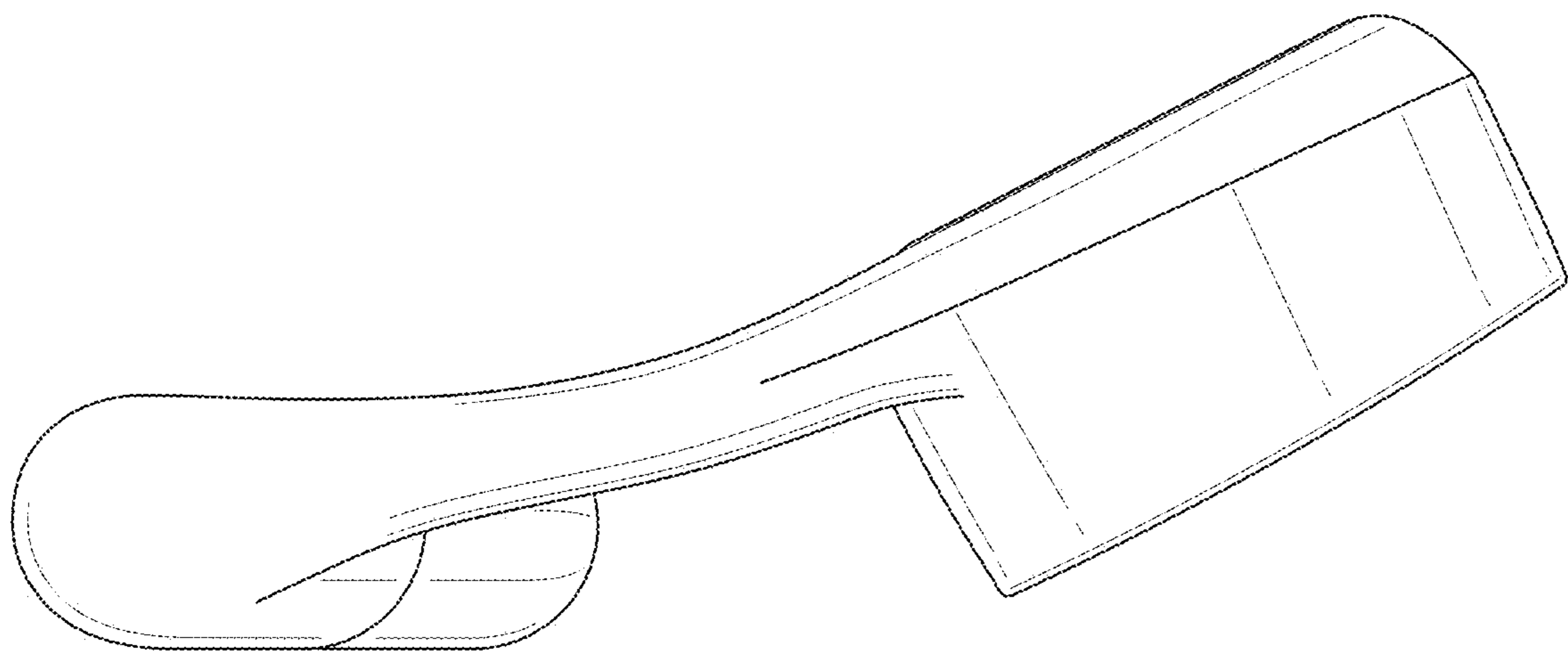


FIG. 6

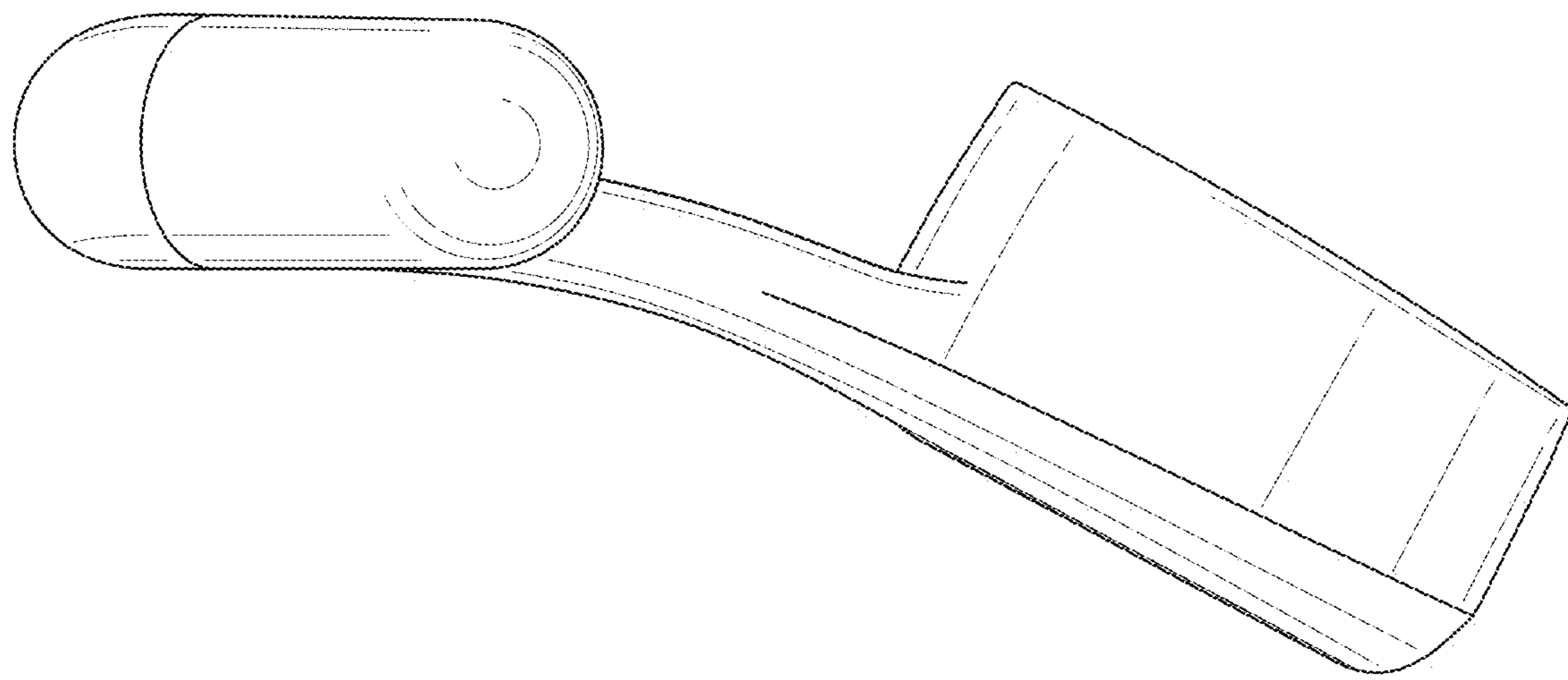


FIG. 7

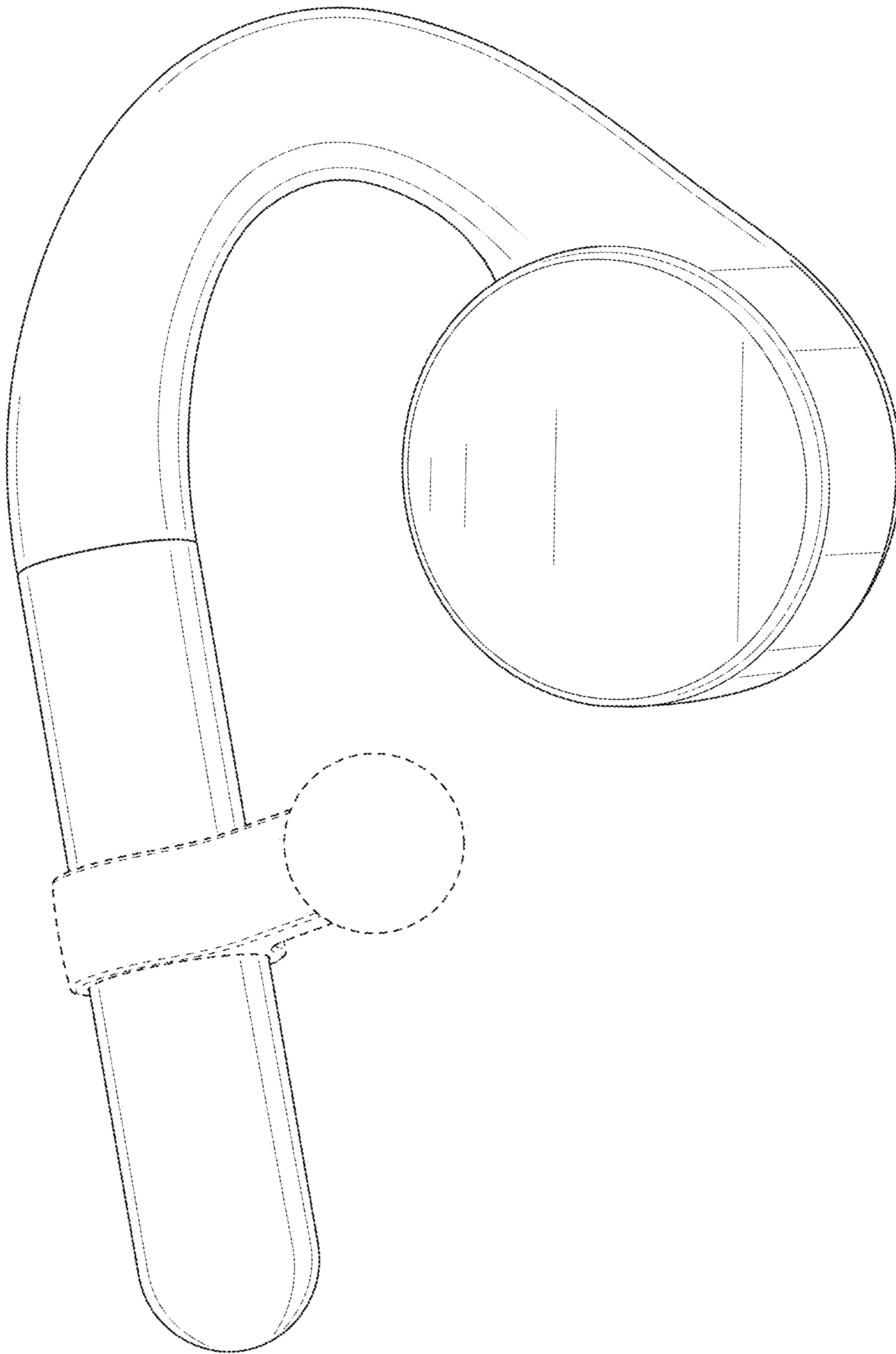


FIG. 8

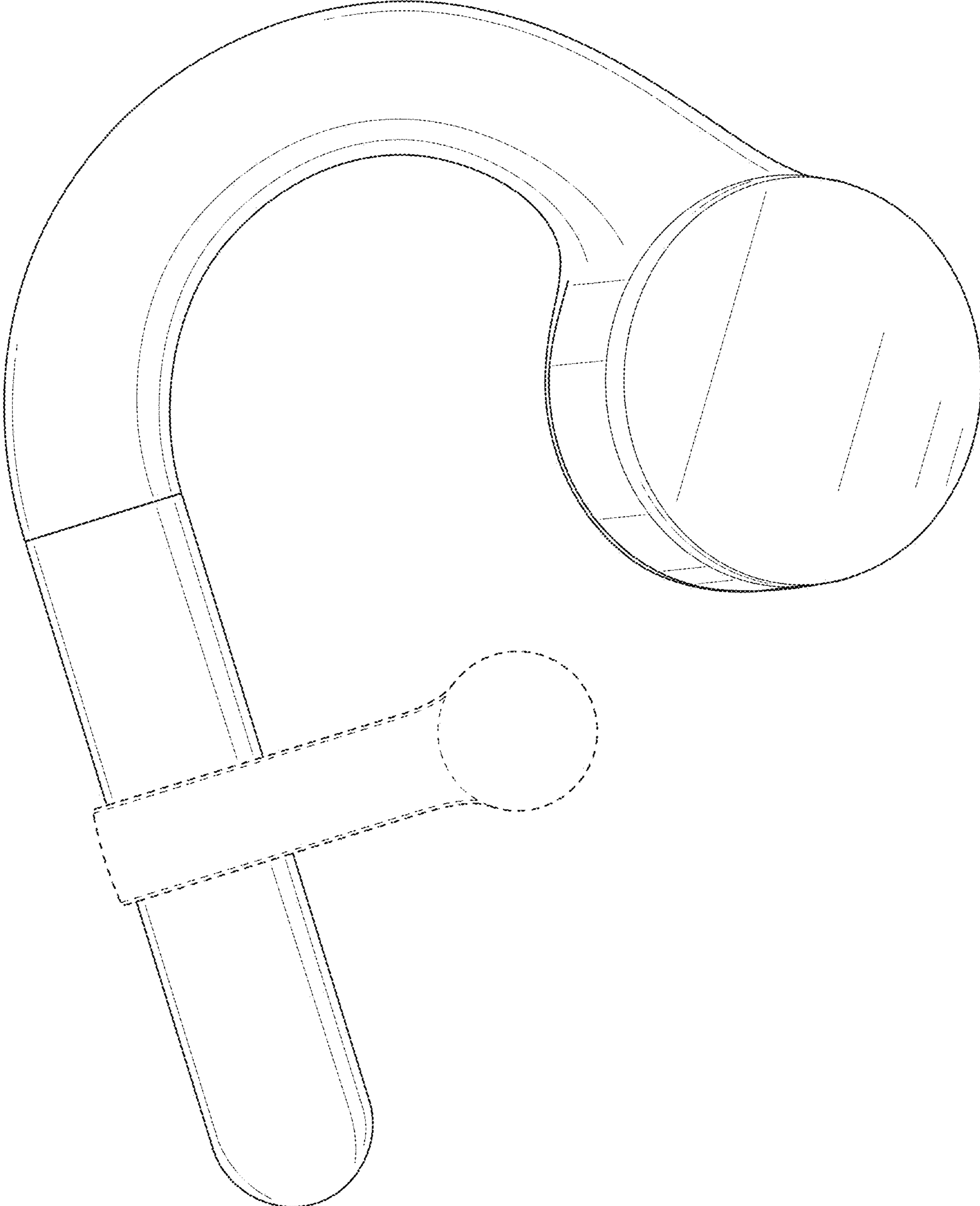


FIG. 9

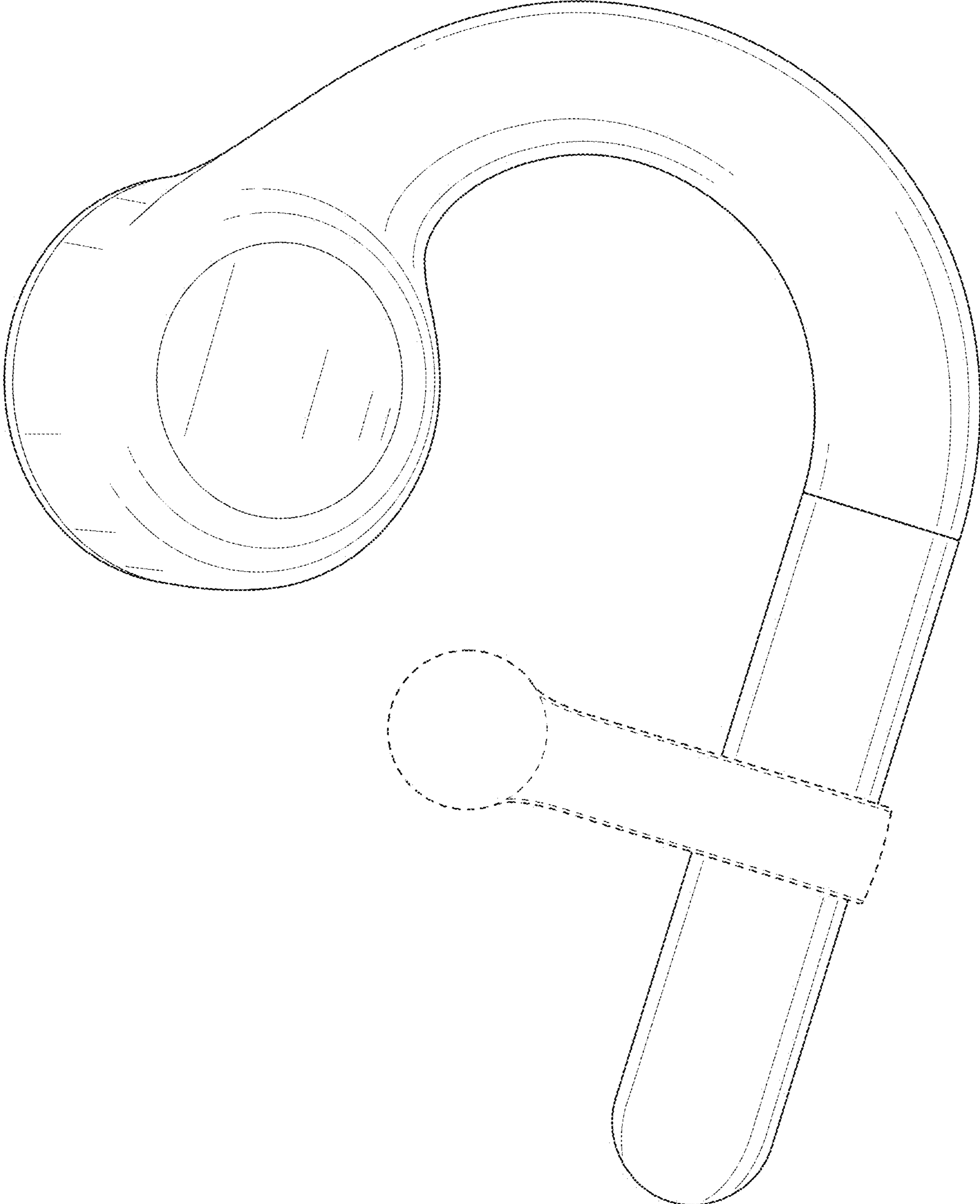


FIG. 10

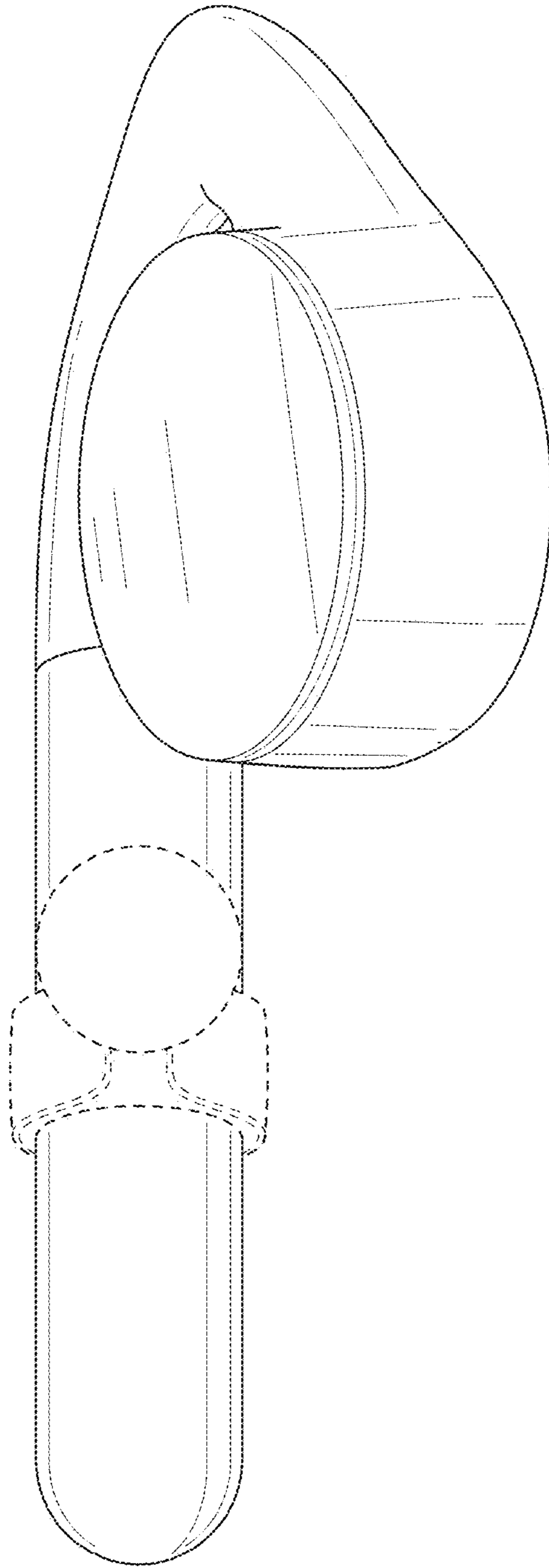


FIG. 11

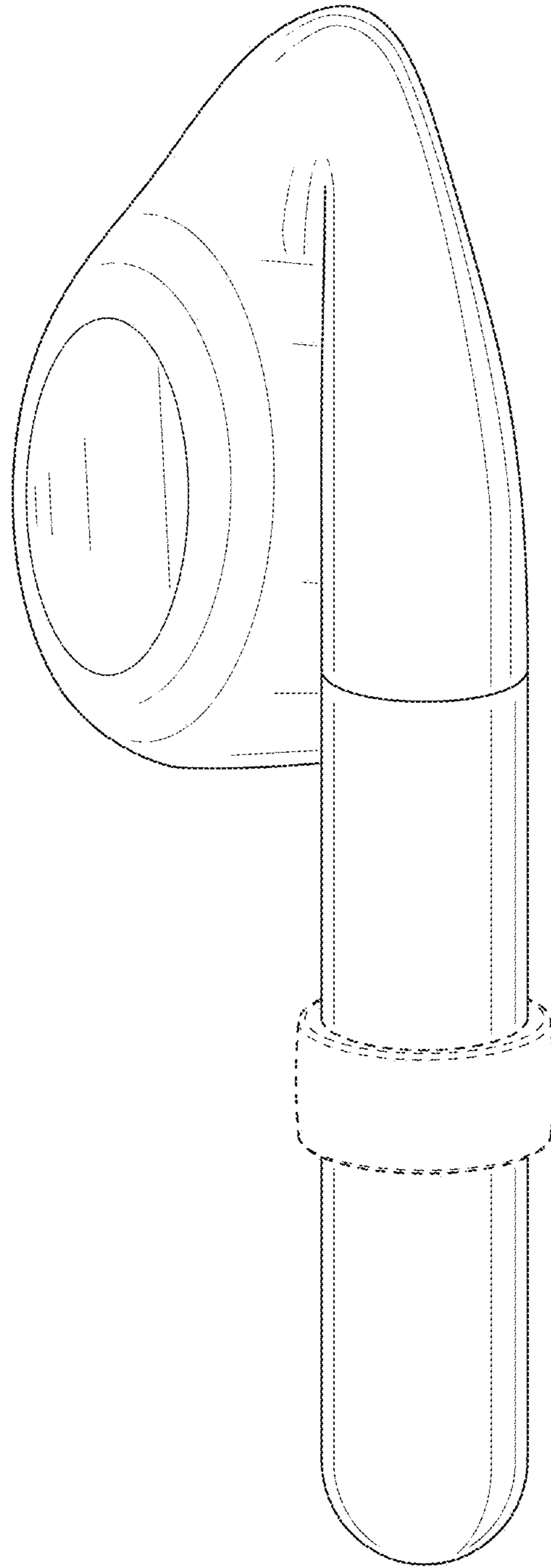


FIG. 12

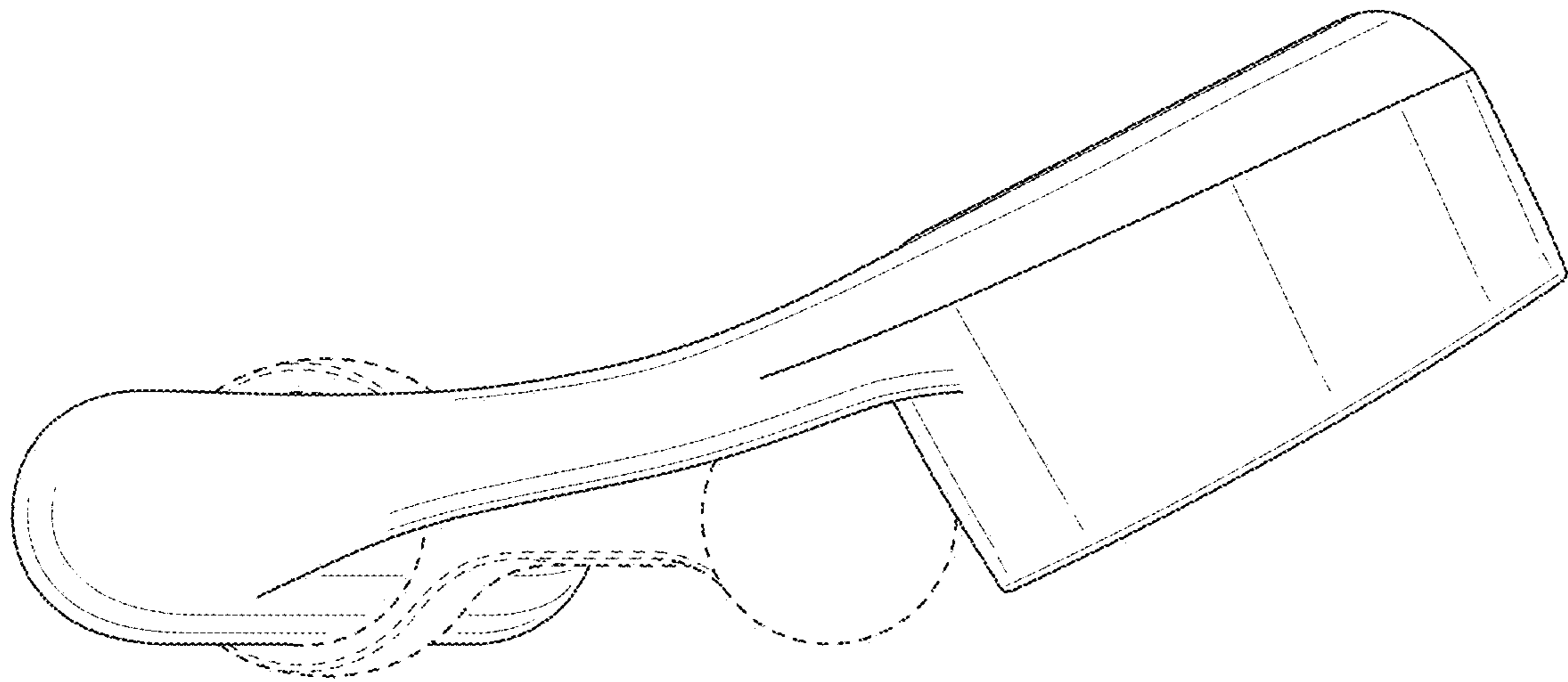


FIG. 13

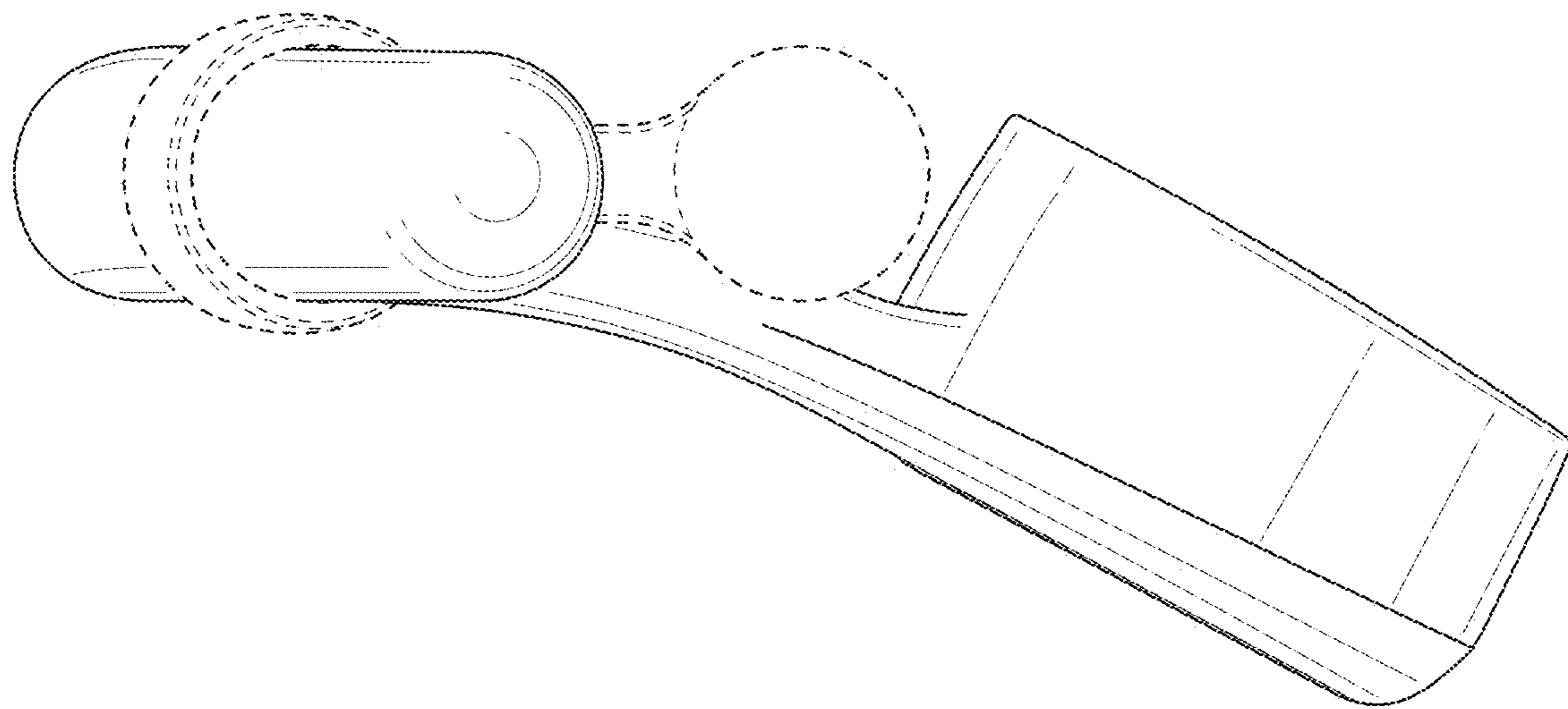


FIG. 14