



US00D894872S

(12) **United States Design Patent**
Wei

(10) **Patent No.:** **US D894,872 S**

(45) **Date of Patent:** **** Sep. 1, 2020**

(54) **SPEAKER**

(71) Applicant: **Junjie Wei**, Gongyi (CN)

(72) Inventor: **Junjie Wei**, Gongyi (CN)

(**) Term: **15 Years**

(21) Appl. No.: **29/729,009**

(22) Filed: **Mar. 24, 2020**

(51) **LOC (12) Cl.** **14-01**

(52) **U.S. Cl.**

USPC **D14/216**

(58) **Field of Classification Search**

USPC D14/135, 137, 139, 155, 157, 188, 191,
D14/192, 197, 198, 203.1-203.8, 299;
D10/70, 98, 104.1, 104.2; D30/152, 199
CPC G05D 23/1905; G08B 3/00; G08B 3/1008;
G08B 3/1025; G08B 3/1058; H04B 1/02;
H04B 1/04; H04B 1/40; H04B 1/0458;
H04B 1/0475; H04H 20/38; H04H 40/27;
H04H 60/37; H04H 60/64; H04H 60/73;
H04L 12/1813; H04L 12/1822; H04L
67/125; H04M 11/022; H04N 7/147;
H05K 5/00; H04W 12/02; A01K 15/021
See application file for complete search history.

(56) **References Cited**

U.S. PATENT DOCUMENTS

D401,239 S * 11/1998 Delong D14/191
D625,295 S * 10/2010 Nogueira D14/218
D673,528 S * 1/2013 Trotsky D14/217

D781,818 S * 3/2017 Pera D14/209
D789,373 S * 6/2017 King D14/434
D836,610 S 12/2018 Yoon
D855,583 S * 8/2019 Capecelatro D14/216
D877,712 S * 3/2020 Durkan D14/204
D886,793 S * 6/2020 Roberts D14/204
D886,801 S * 6/2020 Feng D14/216

* cited by examiner

Primary Examiner — Keli L Hill

(74) *Attorney, Agent, or Firm* — ZANIP

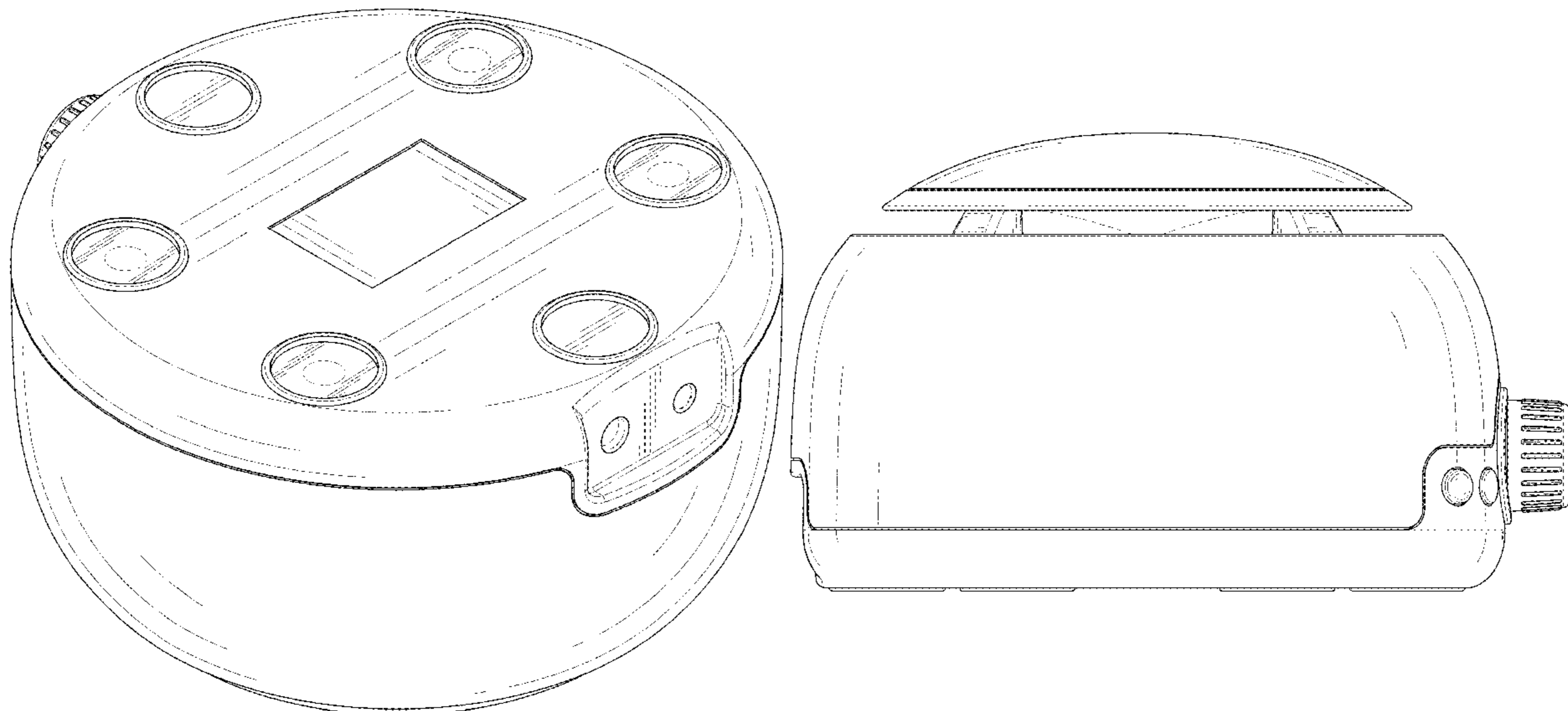
(57) **CLAIM**

The ornamental design for a speaker, as shown and described.

DESCRIPTION

FIG. 1 is a front and top perspective view of a speaker, showing my new design;
FIG. 2 is a rear and bottom perspective view thereof;
FIG. 3 is a front elevational view thereof;
FIG. 4 is a rear elevational view thereof;
FIG. 5 is a left side elevational view thereof;
FIG. 6 is a right side elevational view thereof;
FIG. 7 is a top plan view thereof;
FIG. 8 is a bottom plan view thereof; and,
FIG. 9 is an enlarged, view of a portion indicated in FIG. 1. The broken lines in the figures illustrate portions of the speaker that form no part of the claimed design. The dash dot dash lines in FIGS. 1 and 9 are for the purpose of depicting the cut line of the enlarged view and form no part of the claim.

1 Claim, 9 Drawing Sheets



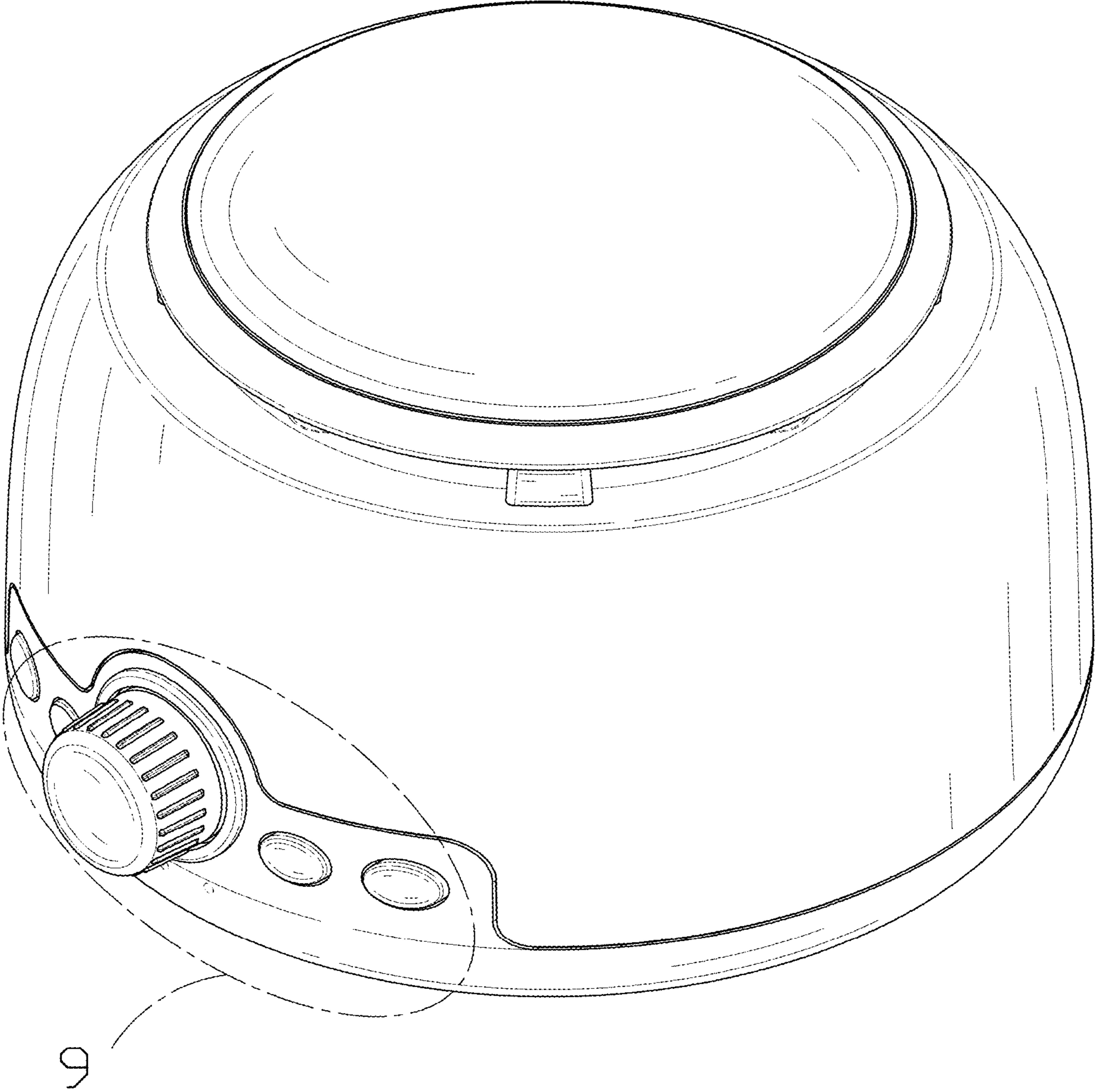


FIG. 1

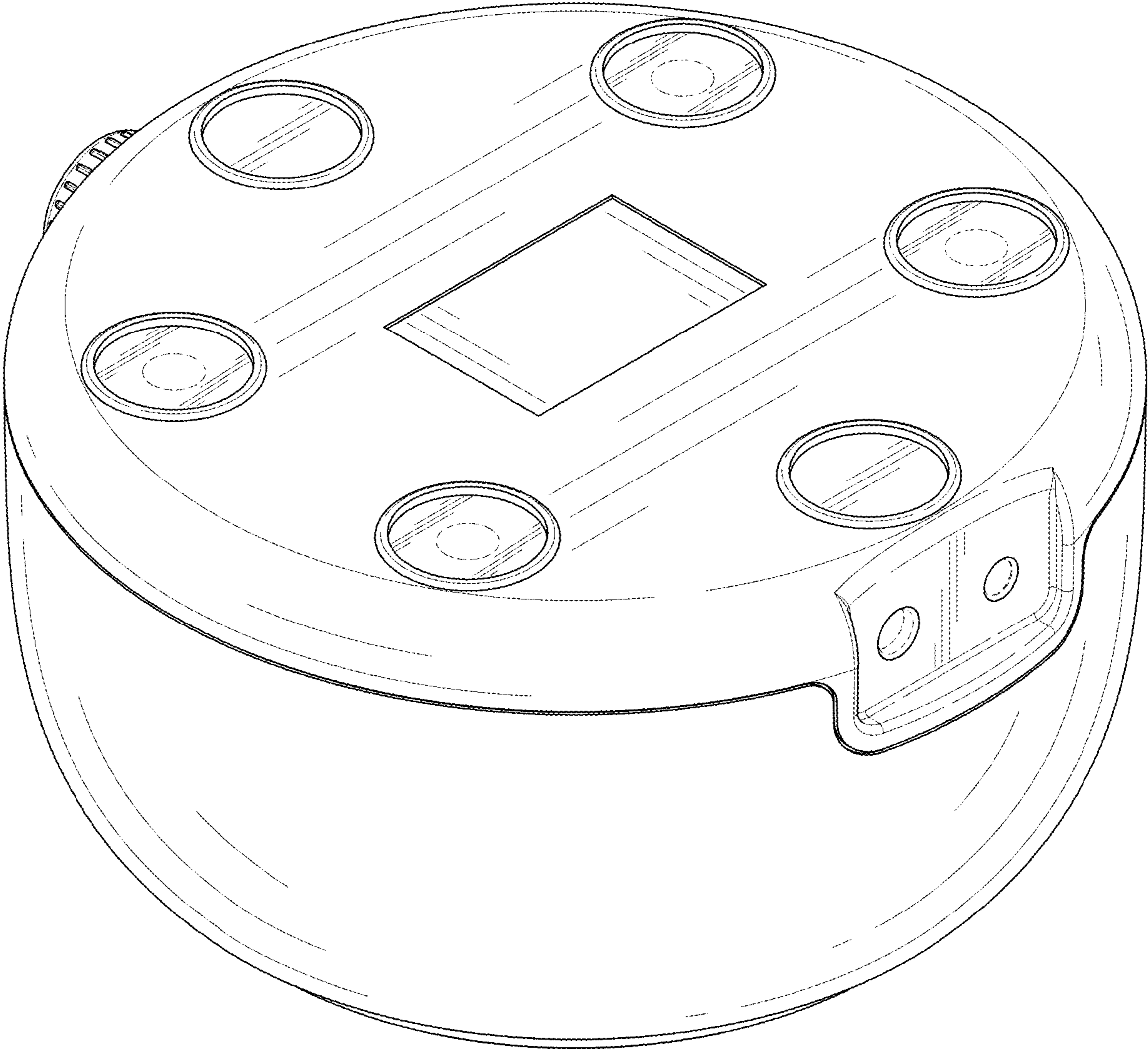


FIG. 2

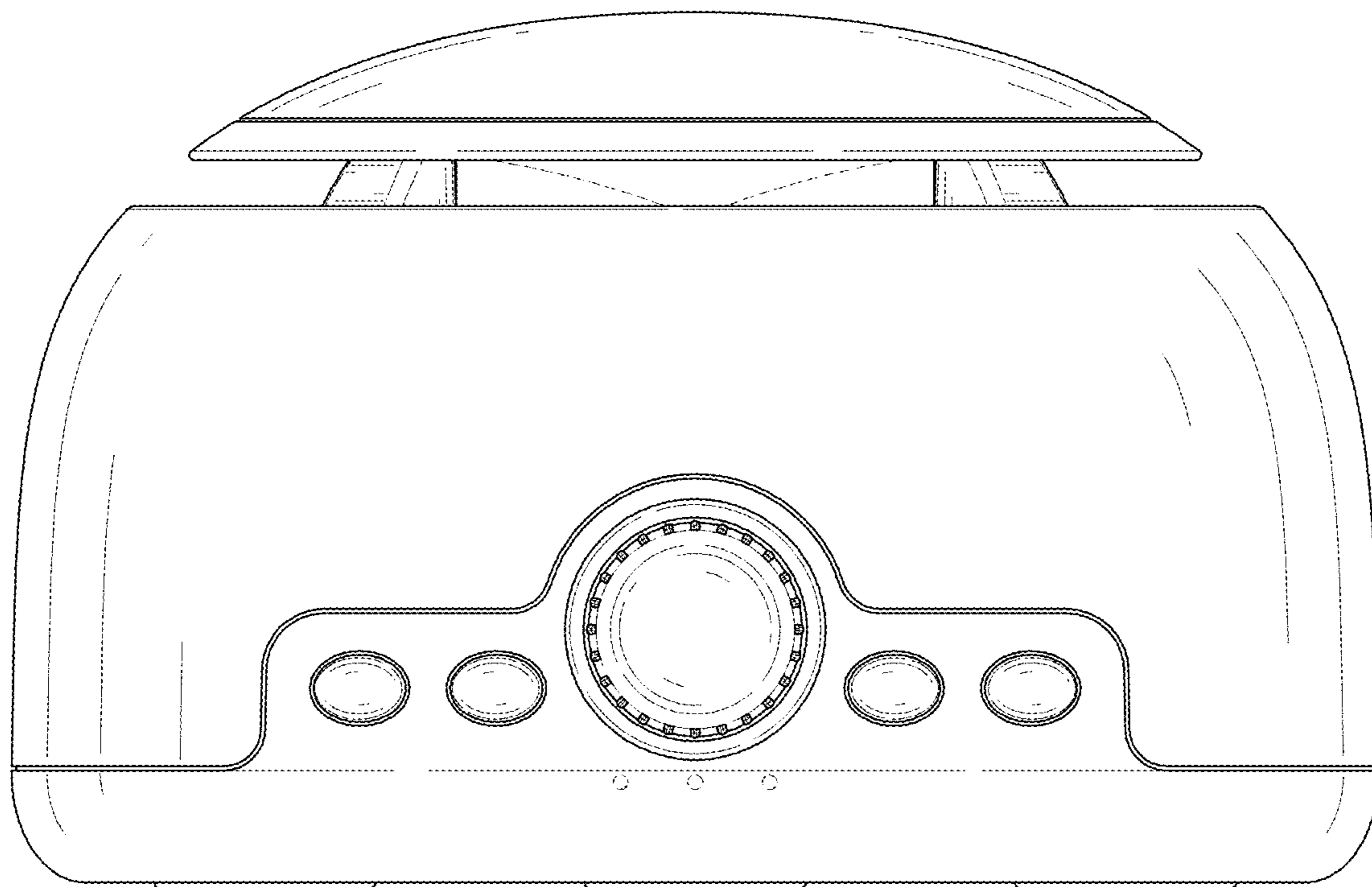


FIG. 3

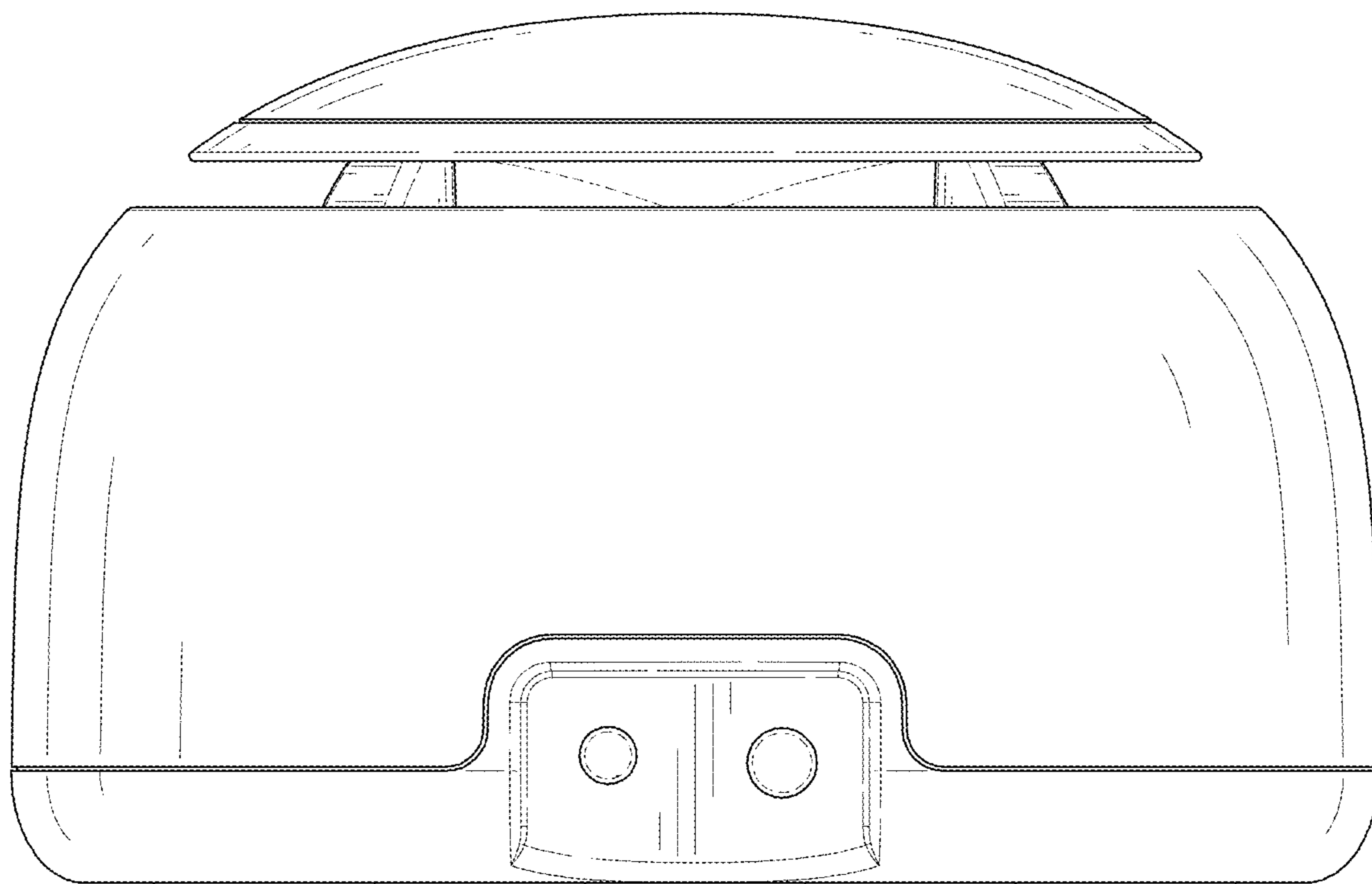


FIG. 4

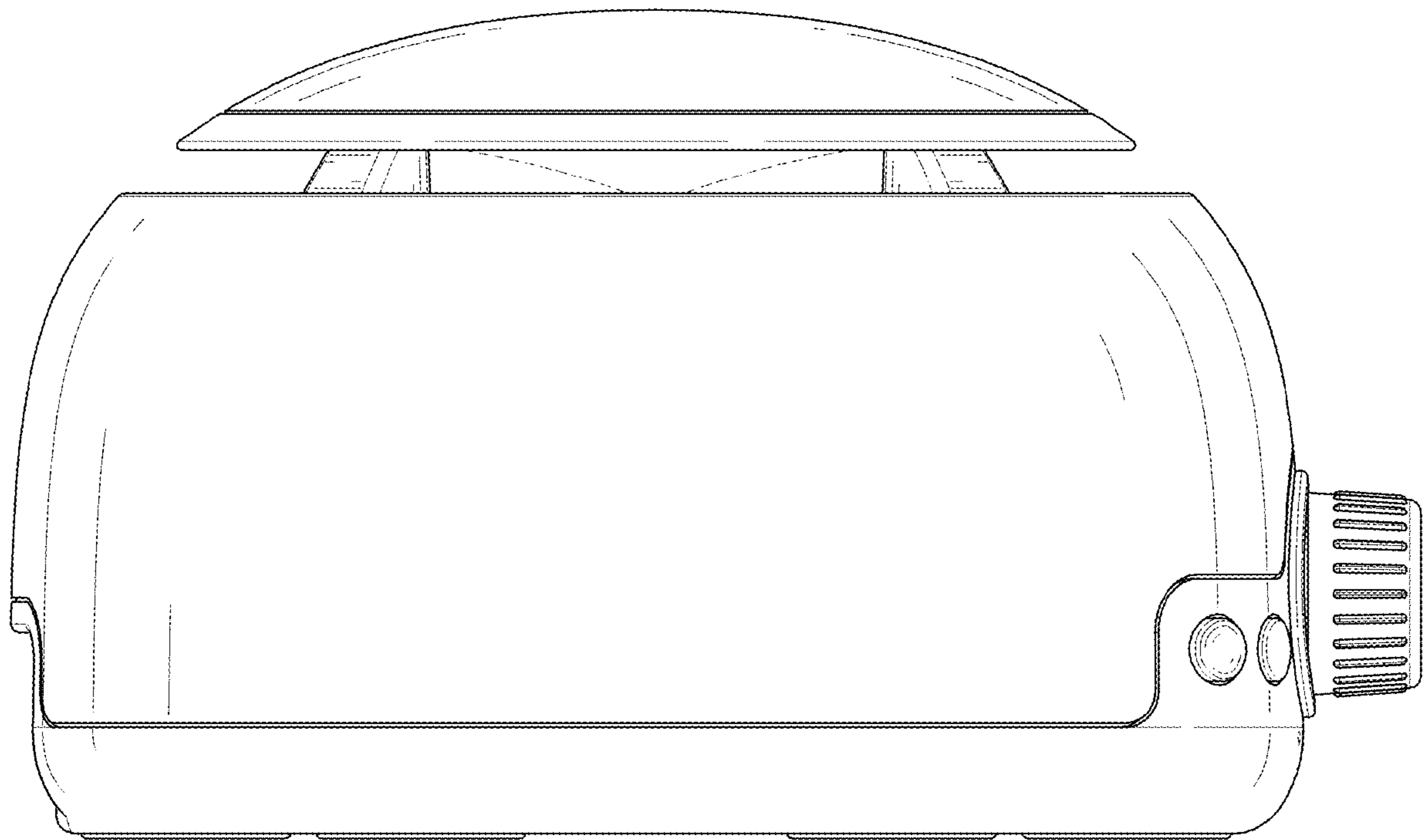


FIG. 5

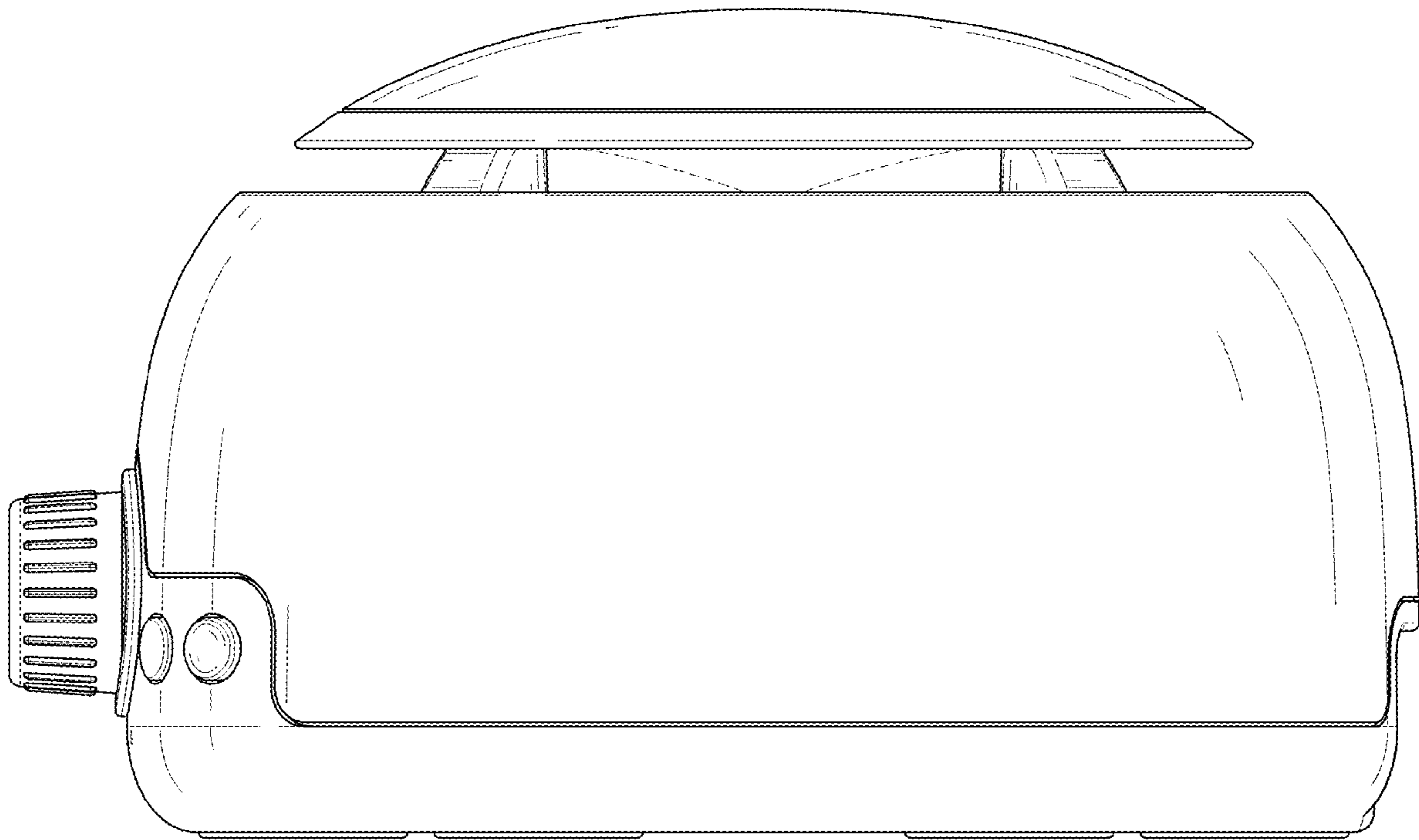


FIG. 6

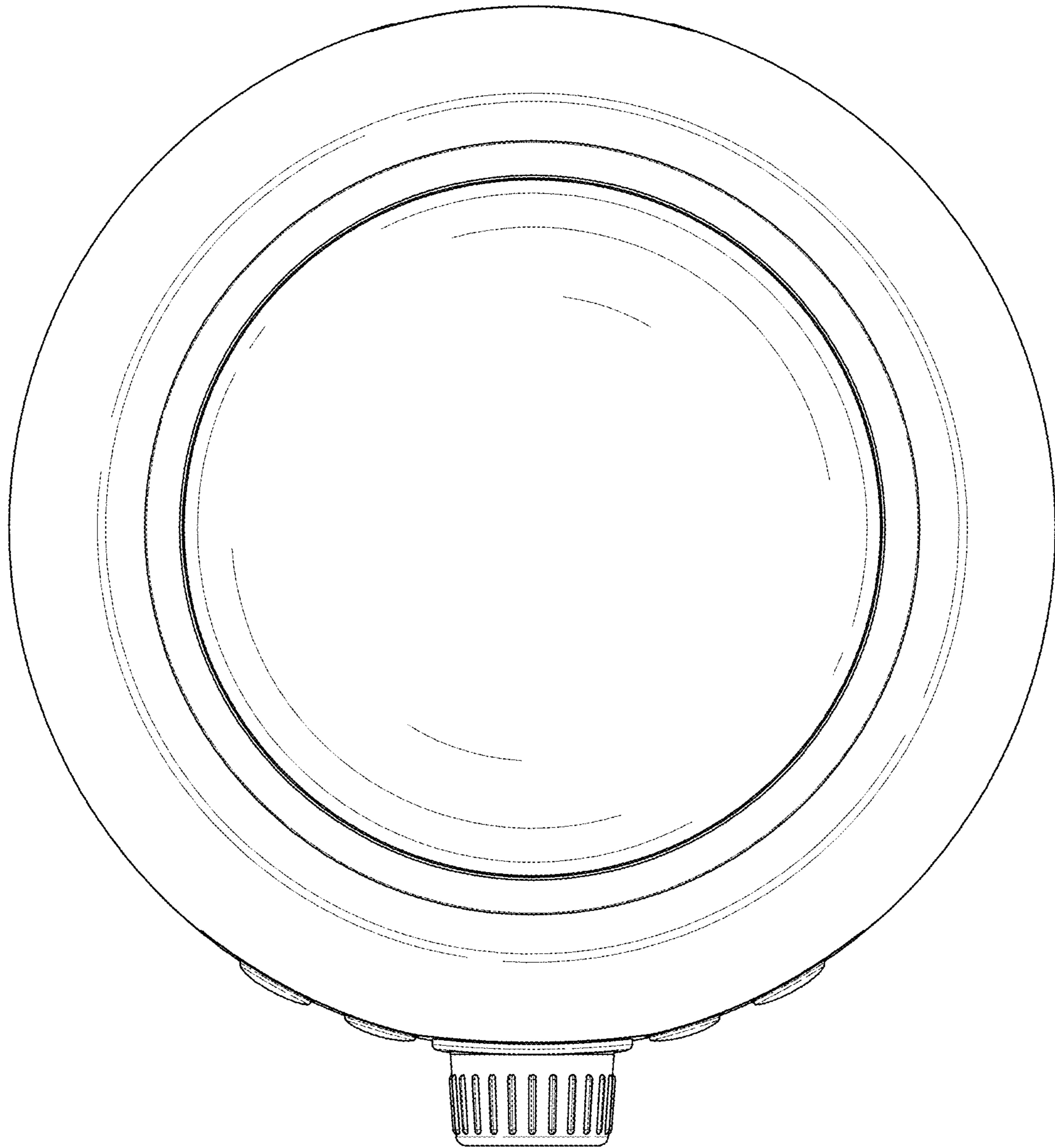


FIG. 7

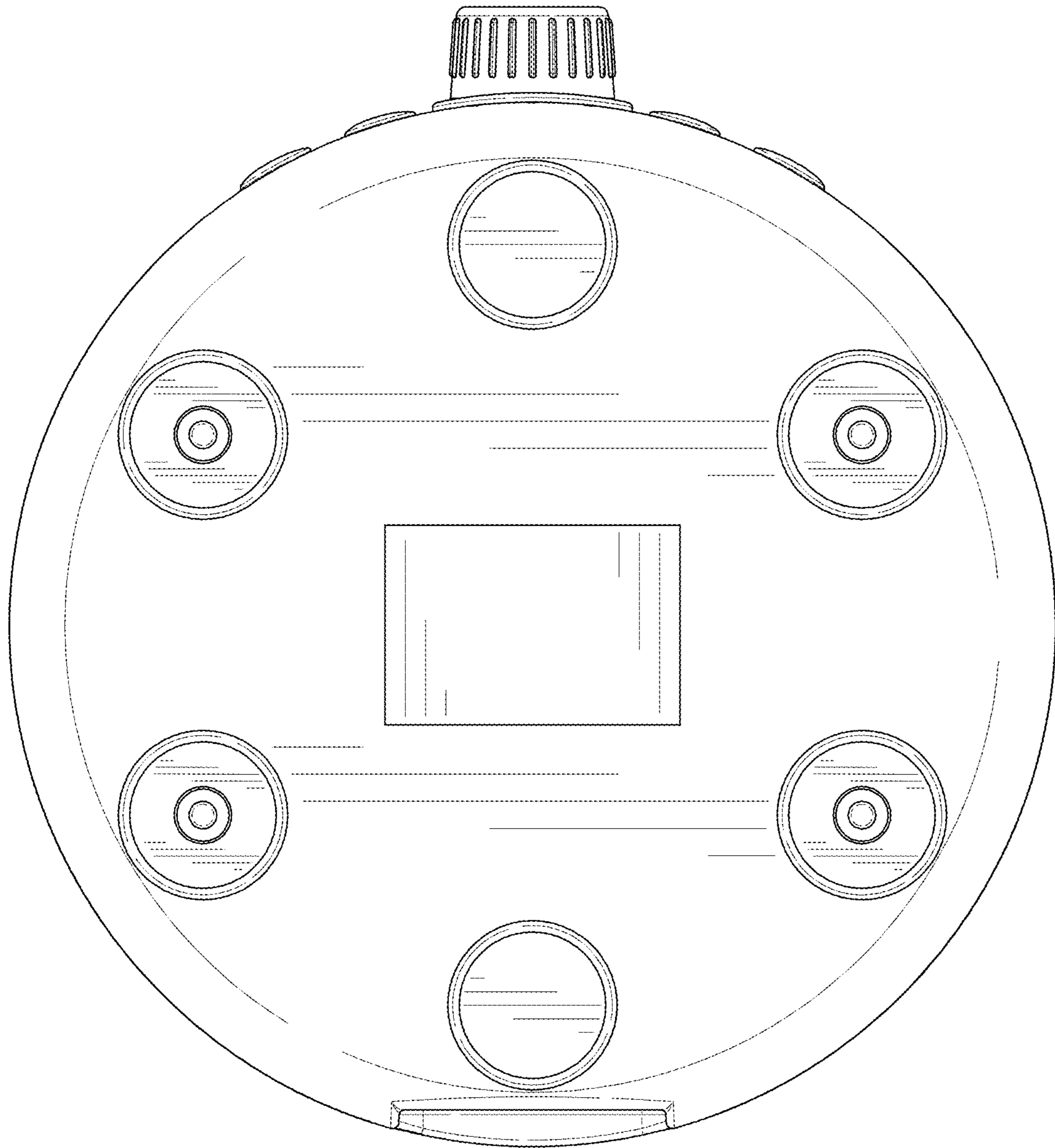


FIG. 8

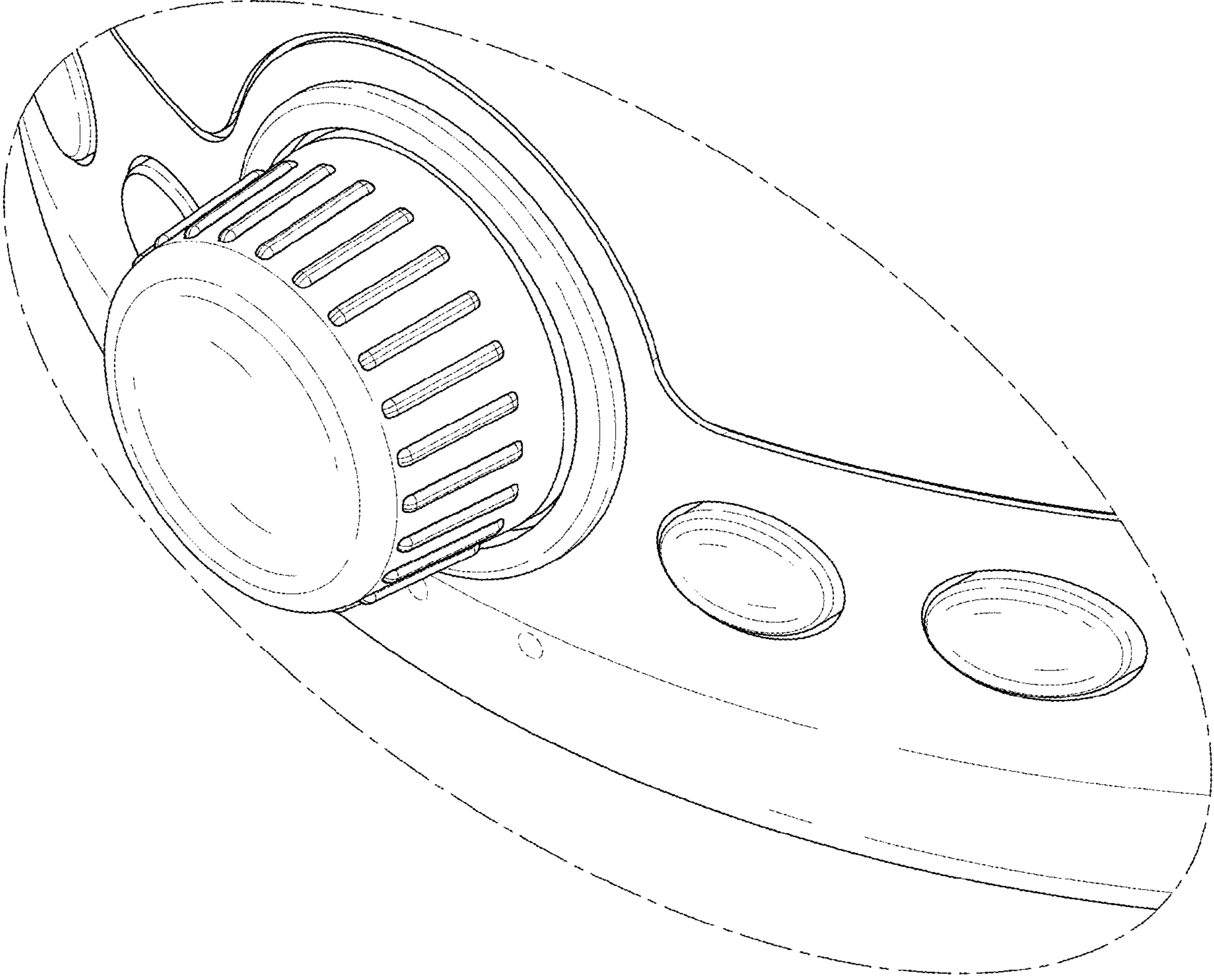


FIG. 9