



US00D894870S

(12) **United States Design Patent**
Wong et al.

(10) **Patent No.:** **US D894,870 S**

(45) **Date of Patent:** **** Sep. 1, 2020**

(54) **SPEAKER**

(71) Applicant: **Zound Industries International AB**,
Stockholm (SE)

(72) Inventors: **Kenny Hugooh Wong**, Stockholm
(SE); **Ebba Bringman**, Hagersten (SE)

(73) Assignee: **Zound Industries International AB**,
Stockholm (SE)

(**) Term: **15 Years**

(21) Appl. No.: **29/655,526**

(22) Filed: **Jul. 4, 2018**

(51) **LOC (12) Cl.** **14-01**

(52) **U.S. Cl.**
USPC **D14/214**

(58) **Field of Classification Search**
USPC D14/167, 168, 170–172, 188, 194–196,
D14/204, 209.1, 210–216, 219, 221, 222,
D14/224, 239, 496

CPC B60R 11/0217; G06F 1/1688; G10K 9/22;
G10K 11/004; H03F 1/327; H04M 1/03;
H04M 1/035; H04N 5/642; H04N
21/4852; H04S 3/00; H04S 7/30; H04R
1/02; H04R 1/06; H04R 1/021; H04R
1/025; H04R 1/026; H04R 1/028; H04R
1/105; H04R 1/323; H04R 1/403; H04R
1/2803; H04R 1/2834; H04R 5/02; H04R
7/20; H04R 9/06; H04R 9/025; H04R
2201/021; H04R 2400/00; H04R 2400/07;
H04R 2499/11; H04R 2499/13; H04R
2499/15

See application file for complete search history.

(56) **References Cited**

U.S. PATENT DOCUMENTS

D597,064 S *	7/2009	Machida	D14/167
D710,328 S *	8/2014	Kim	D14/212
D728,515 S *	5/2015	Lee	D14/209.1
D729,762 S *	5/2015	Hu	D14/194
D754,103 S *	4/2016	Fischer	D14/214
D810,723 S *	2/2018	Corten	D14/214
D813,193 S *	3/2018	Zeng	D14/204
D837,185 S *	1/2019	Enqvist	D14/214
D851,056 S *	6/2019	Zeng	D14/188

* cited by examiner

Primary Examiner — Keli L Hill

(74) *Attorney, Agent, or Firm* — Alonzo & Associates;
Arlyn Alonzo

(57) **CLAIM**

The ornamental design for a speaker, as shown and described.

DESCRIPTION

FIG. 1 is a perspective view of an exemplary speaker.

FIG. 2 is a front view thereof.

FIG. 3 is a rear view thereof.

FIG. 4 is a right side view thereof.

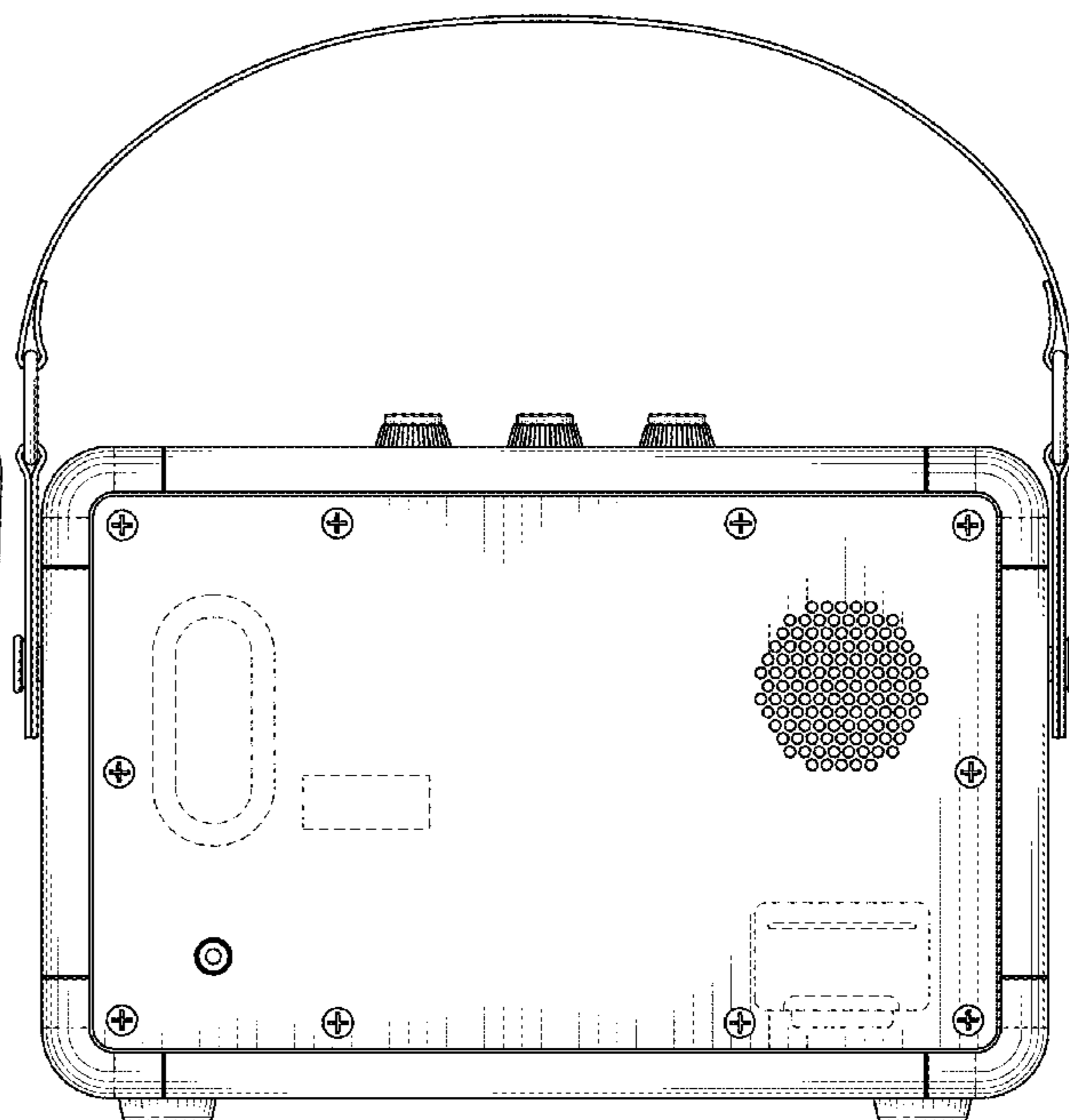
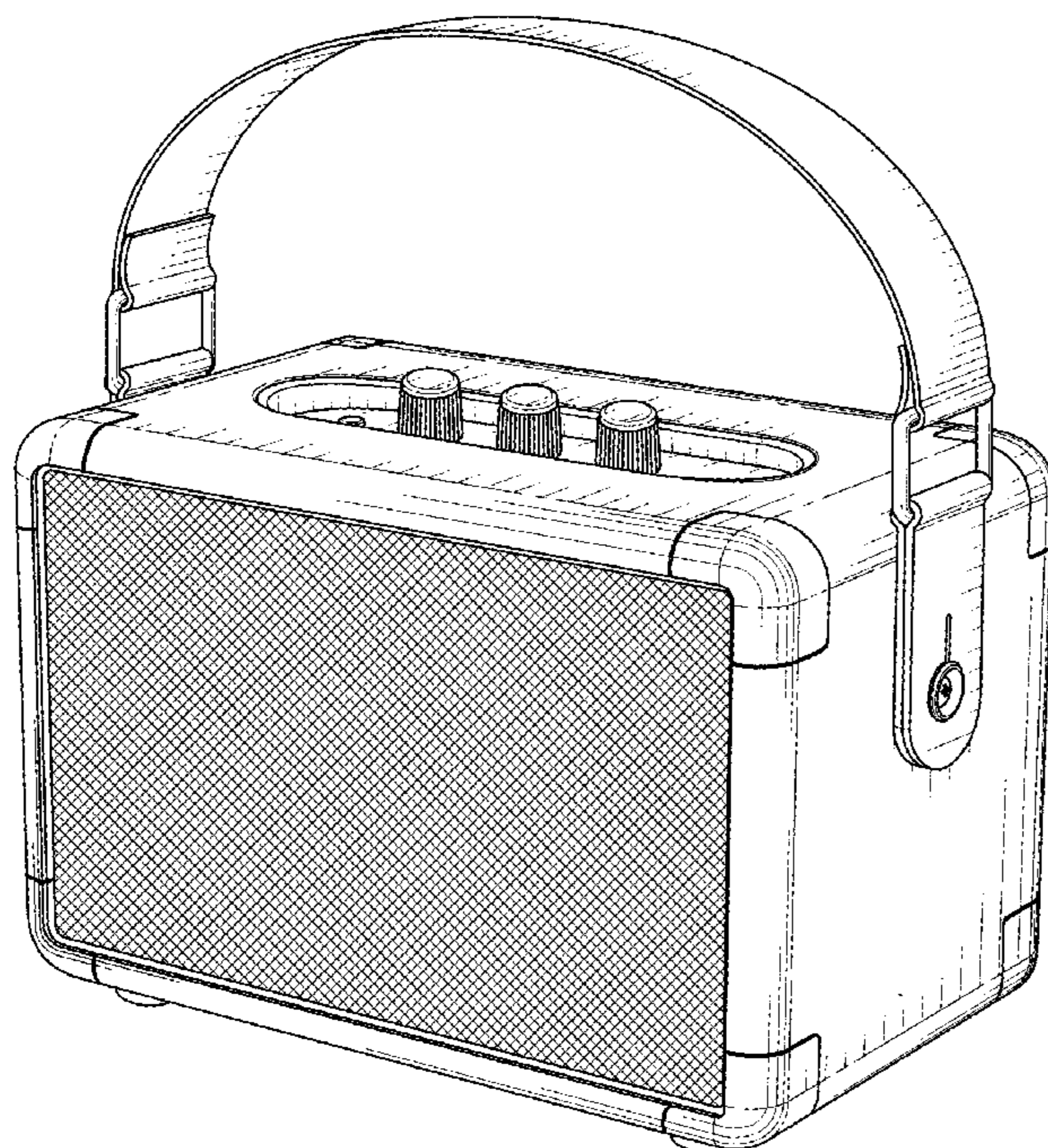
FIG. 5 is a left side view thereof.

FIG. 6 is a top view thereof; and,

FIG. 7 is a bottom view thereof.

Broken lines as shown in the drawings represent unclaimed portions of the speaker and form no part of the claimed design.

1 Claim, 7 Drawing Sheets



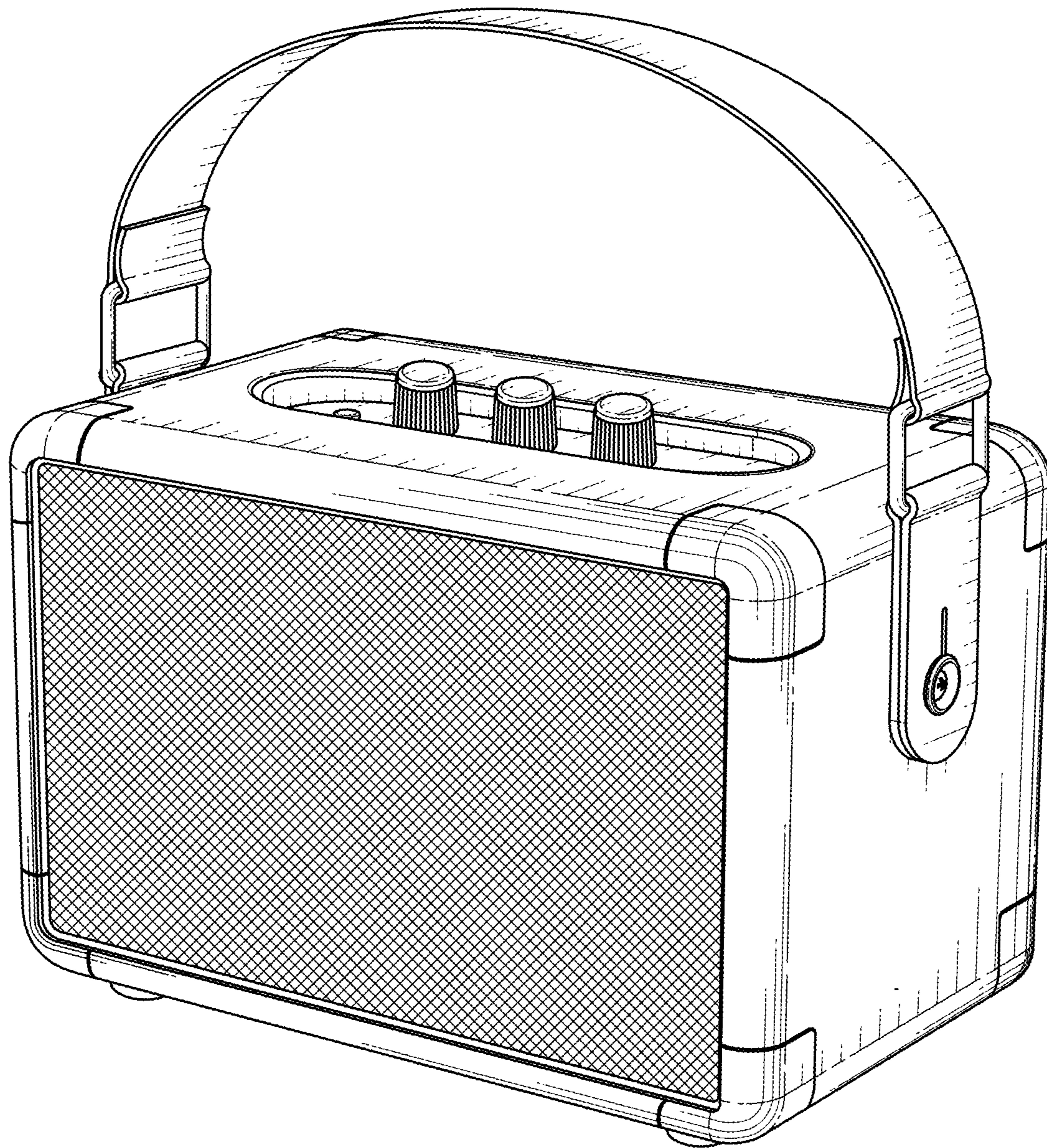


FIG. 1

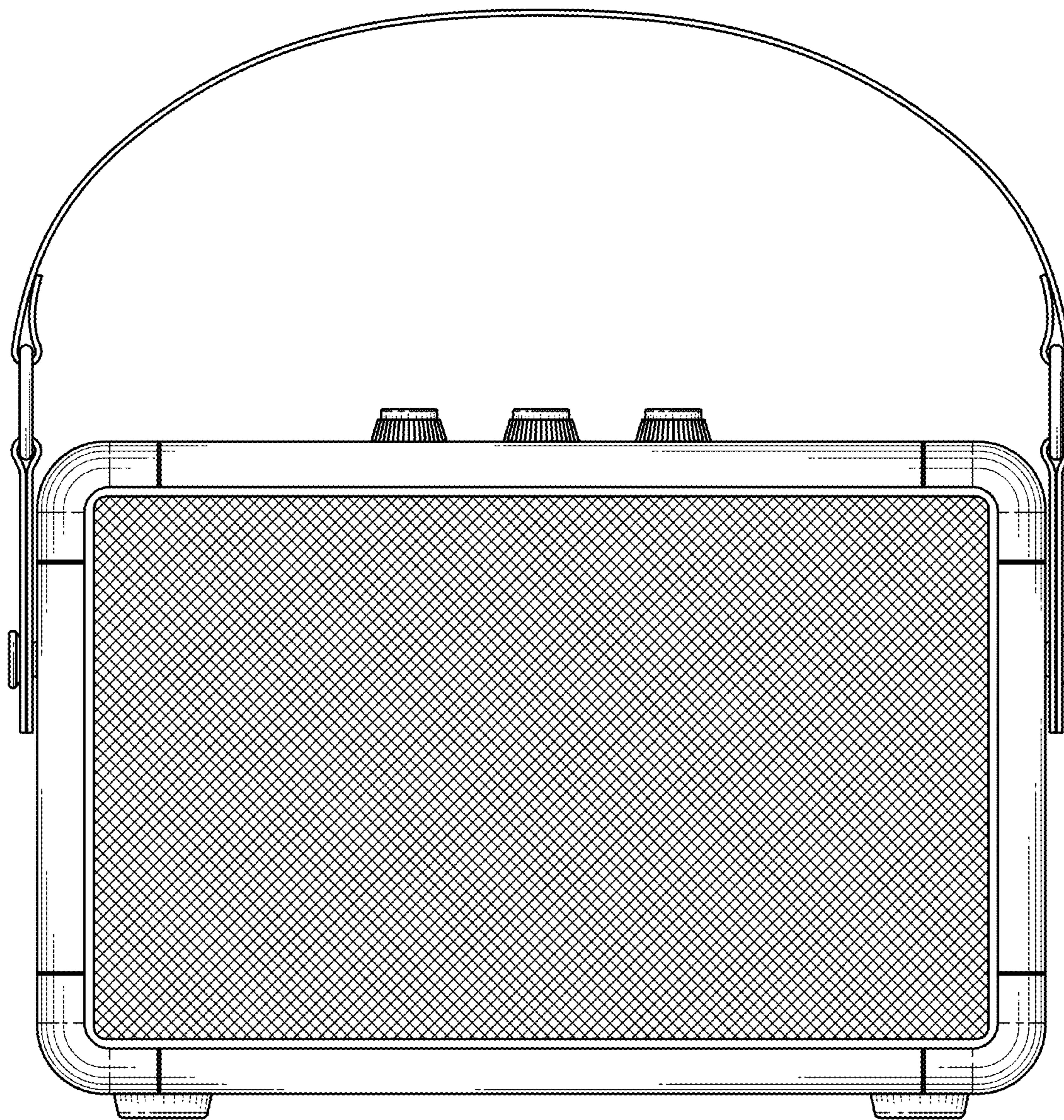


FIG. 2

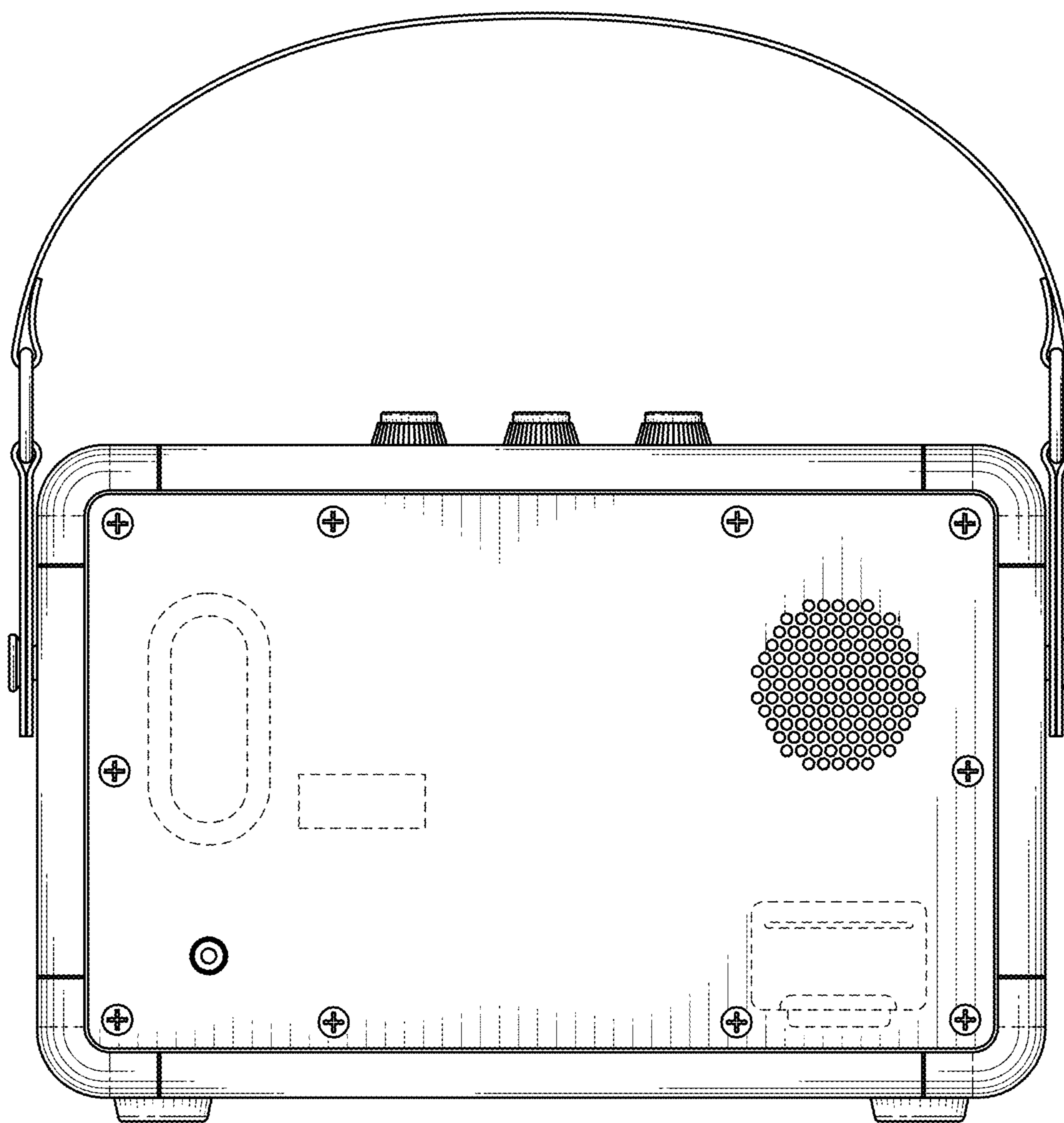


FIG. 3

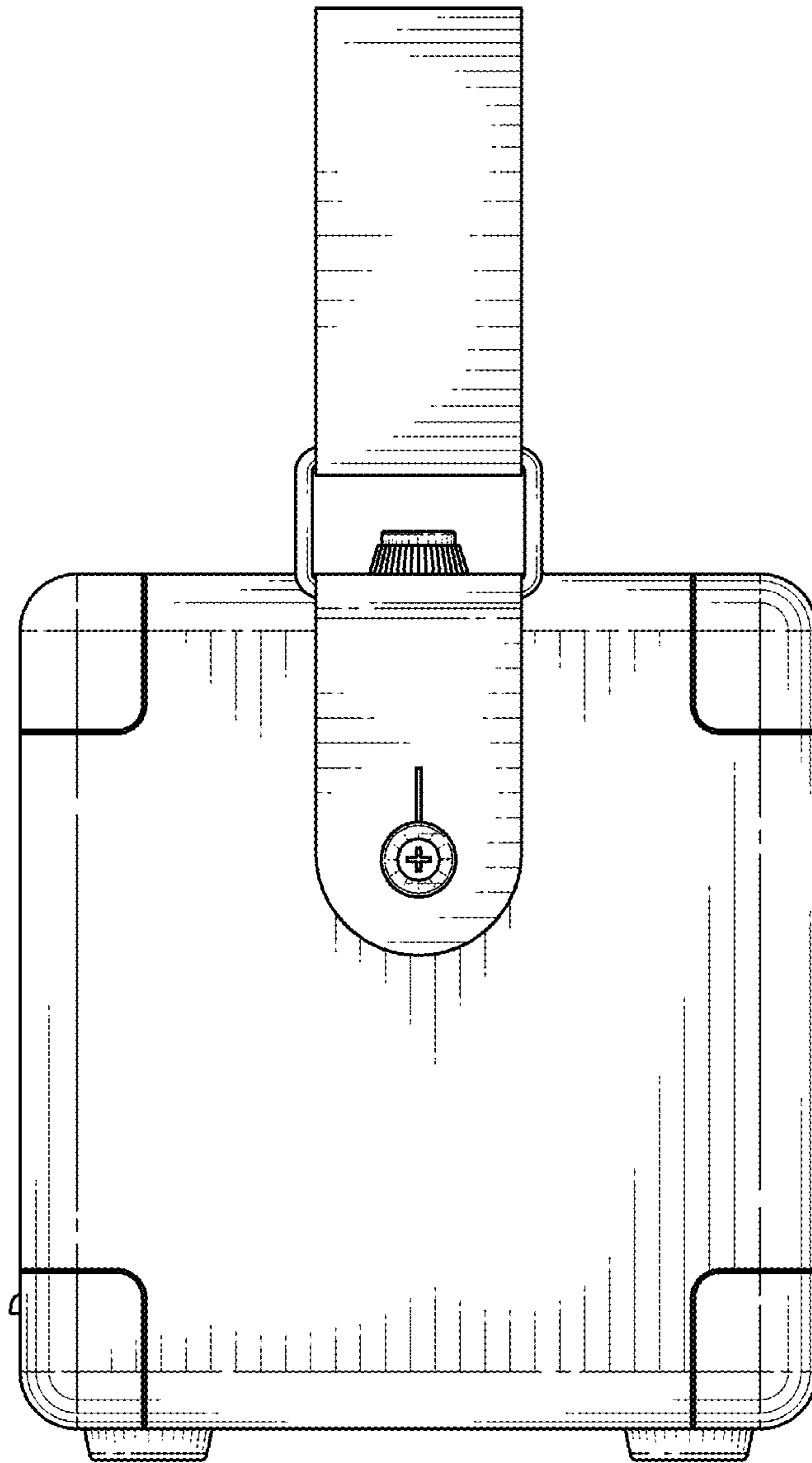


FIG. 4

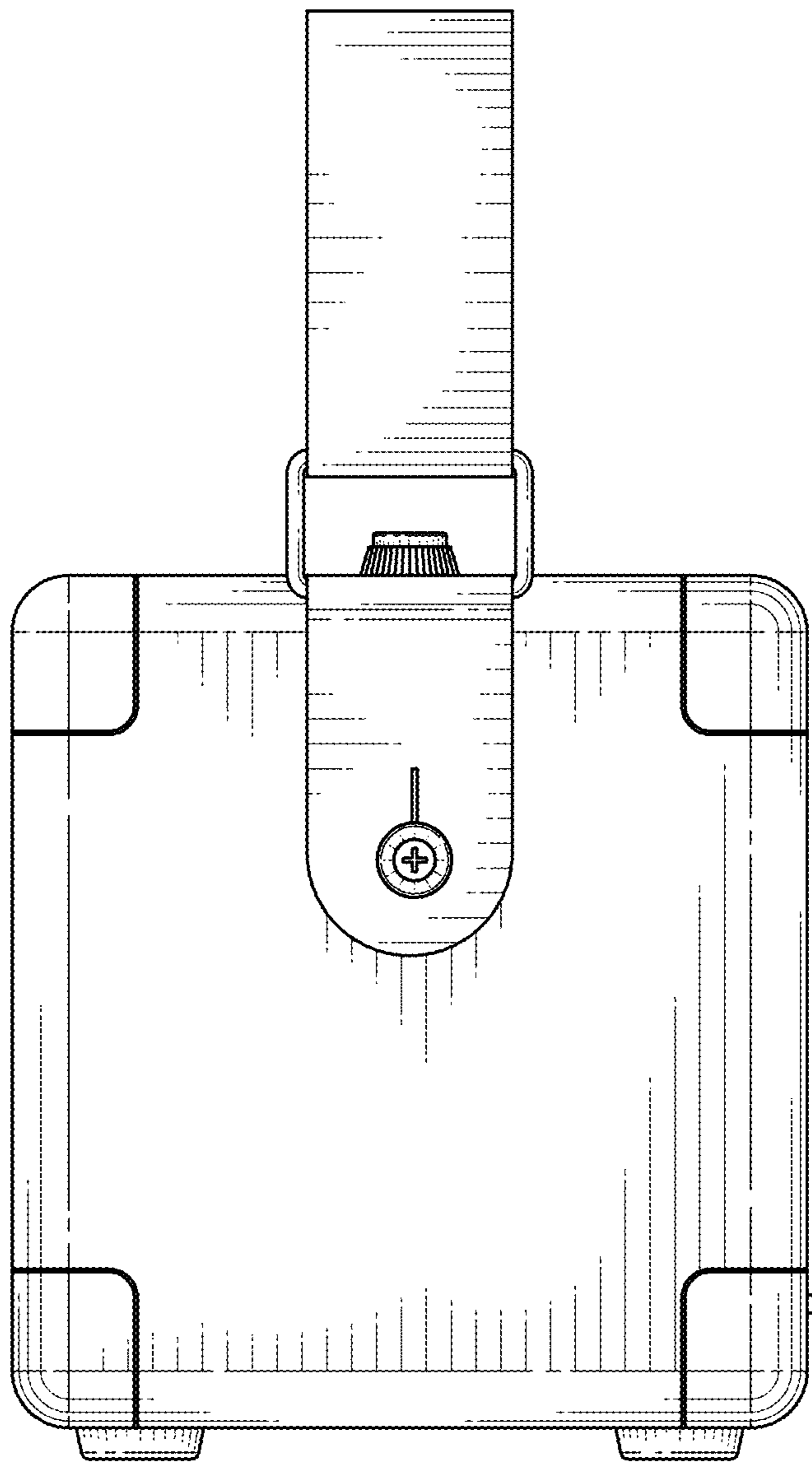


FIG. 5

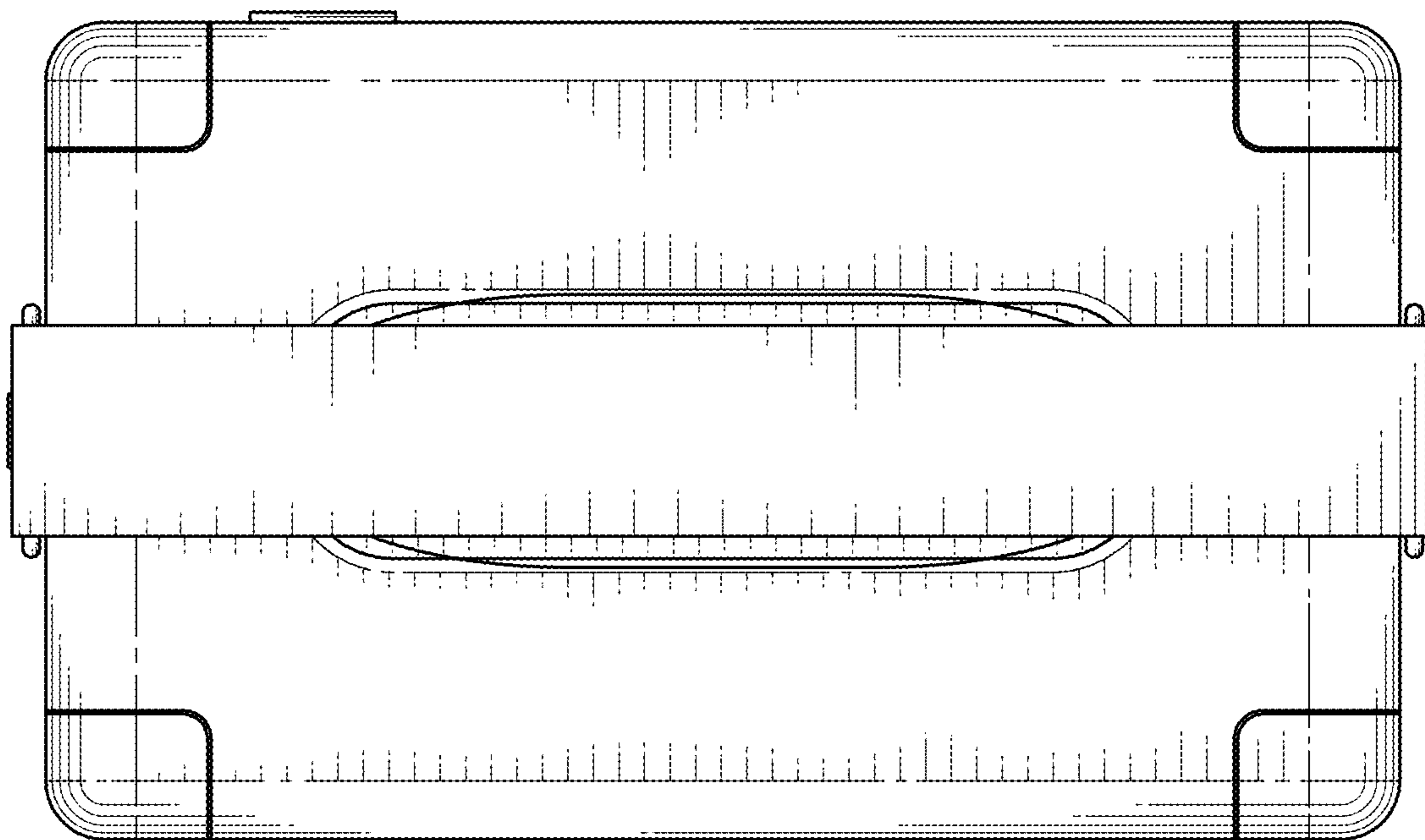


FIG. 6

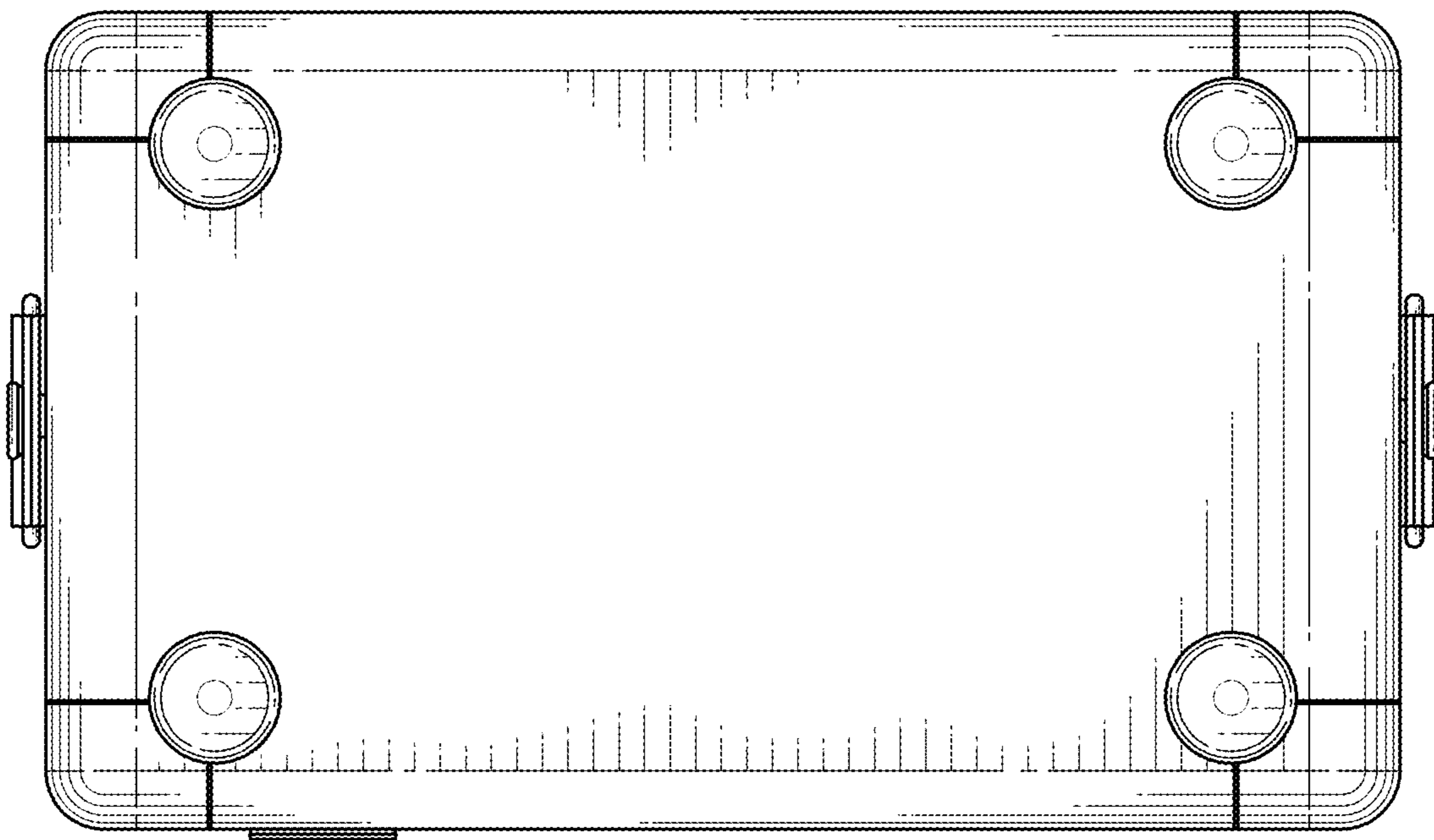


FIG. 7