



US00D894869S

(12) **United States Design Patent**
Tang

(10) **Patent No.:** **US D894,869 S**

(45) **Date of Patent:** **** Sep. 1, 2020**

(54) **EARPHONE**

(71) Applicant: **Mengneng Tang**, Shaoyang (CN)

(72) Inventor: **Mengneng Tang**, Shaoyang (CN)

(73) Assignee: **Dongguan Kotion electronics Co., Ltd.**, Dongguan

(**) Term: **15 Years**

(21) Appl. No.: **29/672,926**

(22) Filed: **Dec. 10, 2018**

(51) **LOC (12) Cl.** **14-01**

(52) **U.S. Cl.**
USPC **D14/206; D14/226**

(58) **Field of Classification Search**
USPC D14/206, 205, 188, 192, 372, 226;
D29/112; 2/209; 181/129, 130, 135;
379/430, 431; 381/380, 381, 374, 370;
455/90.3, 575.1, 569.1

CPC H04R 1/1066; H04R 1/1016; H04R 5/033;
H04R 5/0335; H04R 25/00; H04R 25/02;
H04R 1/08; H04R 19/04; H04R 1/105;
H04R 1/1091; H04R 1/1058

See application file for complete search history.

(56) **References Cited**

U.S. PATENT DOCUMENTS

D233,444 S *	10/1974	Christian	D14/206
D254,183 S *	2/1980	Doodson	D14/205
D299,337 S *	1/1989	Wiegel	D14/206
D302,429 S *	7/1989	Leer	D14/137
D395,894 S *	7/1998	Hern	D14/227
D431,550 S *	10/2000	Yoneda	D14/205
D447,472 S *	9/2001	McGugan	D14/225
D449,040 S *	10/2001	Weikel	D14/227
D497,357 S *	10/2004	Allum	D14/206
D505,413 S *	5/2005	Skulley	D14/223
D508,483 S *	8/2005	Suzuki	D14/205

D514,087 S *	1/2006	Wilson	D14/206
D517,527 S *	3/2006	Suzuki	D14/205
D517,528 S *	3/2006	Skulley	D14/206
D518,479 S *	4/2006	Skulley	D14/225
D531,165 S *	10/2006	Rath	D14/206
D540,303 S *	4/2007	Rausch	D14/205
D542,774 S *	5/2007	Rausch	D14/206
D589,492 S *	3/2009	Mistry	D14/205
D600,674 S *	9/2009	Brennwald	D14/205
D602,002 S *	10/2009	Asai	D14/206
D604,266 S *	11/2009	Milde	D14/205
D638,397 S *	5/2011	McManigal	D14/205
D641,725 S *	7/2011	Chong	D14/205
D641,727 S *	7/2011	Krauss	D14/206
D652,017 S *	1/2012	Groves	D14/206
D654,472 S *	2/2012	Fischer	D14/206
8,139,807 B2 *	3/2012	Reiss	H04R 1/1083 381/371

(Continued)

FOREIGN PATENT DOCUMENTS

EM	005280815-0002	*	5/2018
EM	005512548-0005	*	7/2018

(Continued)

Primary Examiner — Paula Allen Greene

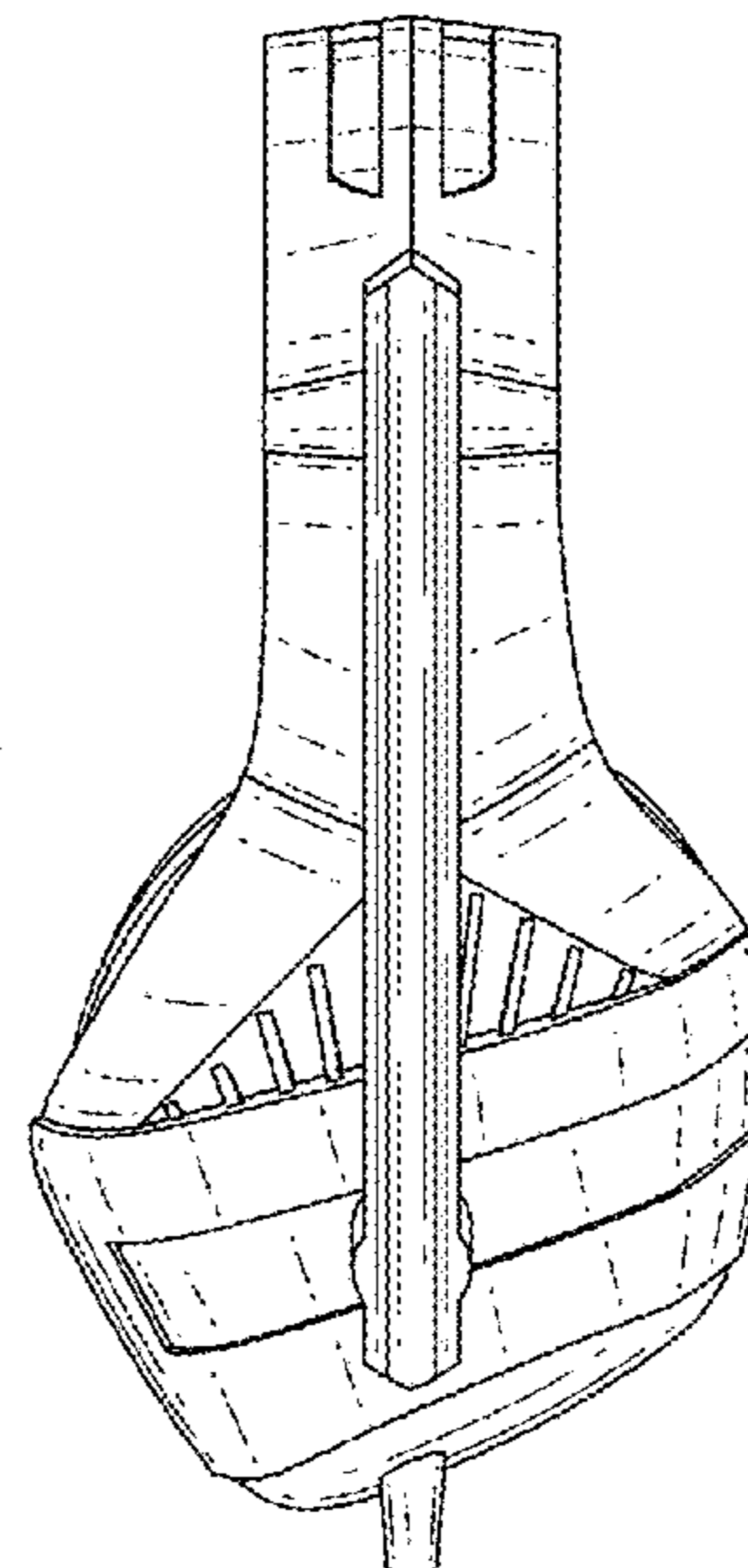
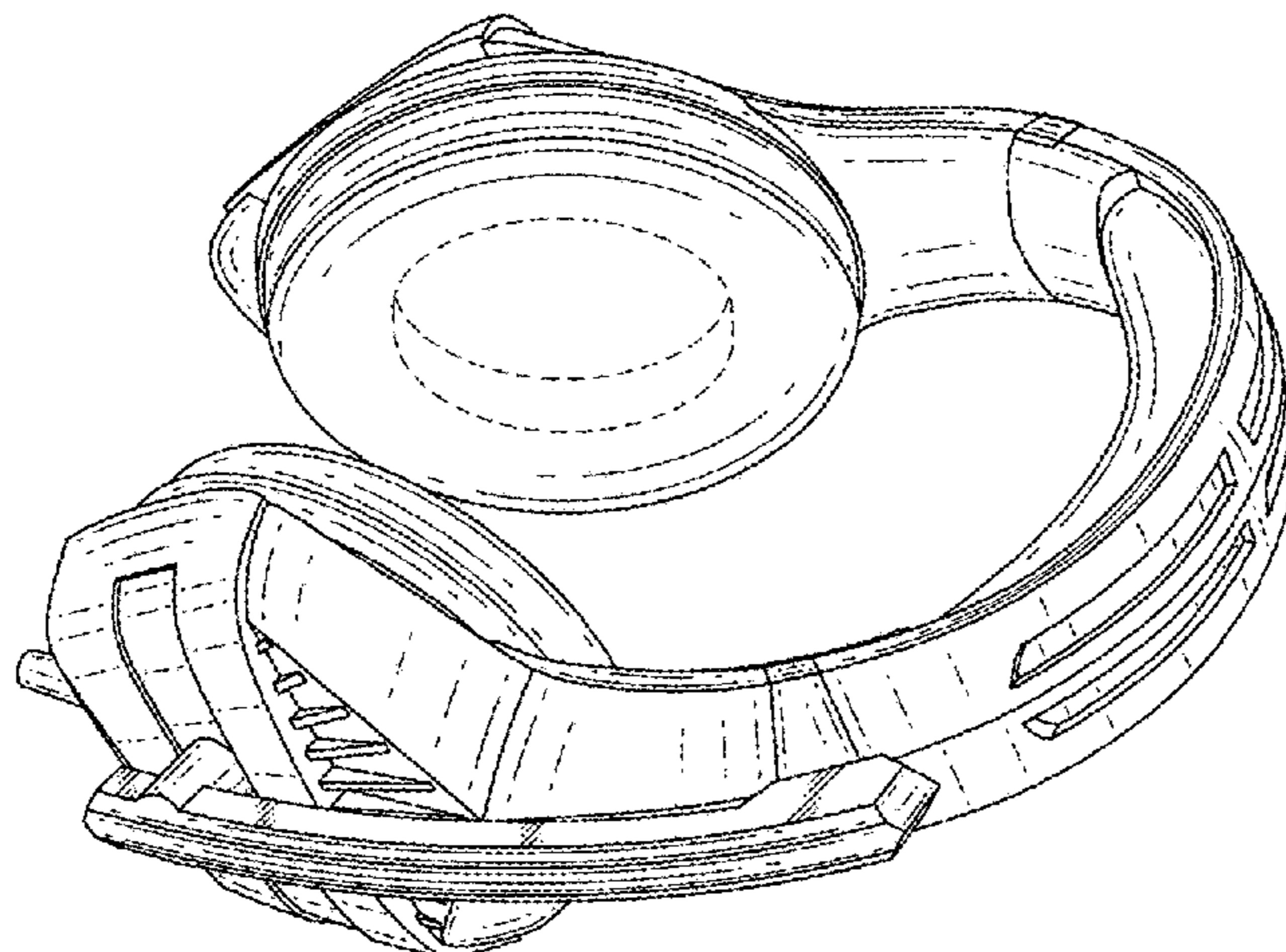
(57) **CLAIM**

The ornamental design for an earphone, as shown and described.

DESCRIPTION

FIG. 1 is a perspective view of an earphone showing my new design;
FIG. 2 is a top plan view thereof;
FIG. 3 is a rear elevational view thereof;
FIG. 4 is a bottom plan view thereof;
FIG. 5 is a right side view thereof;
FIG. 6 is a front elevational view thereof; and,
FIG. 7 is a left side view thereof.

1 Claim, 7 Drawing Sheets



(56)

References Cited

U.S. PATENT DOCUMENTS

D662,490 S * 6/2012 McSweyn D14/205
 D666,993 S * 9/2012 Kelley D14/205
 D672,745 S * 12/2012 Abed D14/205
 8,443,467 B2 * 5/2013 Chiang A61F 11/06
 2/209
 D689,464 S * 9/2013 Bonahoom D14/206
 D690,284 S * 9/2013 Brennwald D14/205
 D691,111 S * 10/2013 Lee D14/206
 D699,216 S * 2/2014 Bonahoom D14/205
 D703,183 S * 4/2014 Moriya H04R 1/1008
 D14/206
 D723,508 S * 3/2015 Garland D14/205
 D723,509 S * 3/2015 Garland D14/205
 D727,278 S * 4/2015 Solomon D14/205
 D733,091 S * 6/2015 Heinonen D14/205
 D733,677 S * 7/2015 Ling D14/206
 D734,736 S * 7/2015 Jin D14/206
 D739,843 S * 9/2015 Daniel D14/205
 D741,286 S * 10/2015 Brennwald D14/205
 D745,859 S * 12/2015 Kiuchi D14/205
 9,226,060 B2 * 12/2015 Minarik H04R 1/1066
 D746,793 S * 1/2016 Logan D14/206
 D766,207 S * 9/2016 Paterson D14/205
 D766,208 S * 9/2016 Paterson D14/205
 D769,219 S * 10/2016 Ohmachi D14/205
 D778,258 S * 2/2017 Hsu D14/205
 D787,470 S * 5/2017 Kelly D14/205
 D788,071 S * 5/2017 Logan D14/205
 D790,506 S * 6/2017 Broadley D14/206
 D791,734 S * 7/2017 Ou D14/206
 D805,257 S * 12/2017 Maansson D29/122
 D807,585 S * 1/2018 Fletcher D29/112
 D808,359 S * 1/2018 Meyer D14/205
 D815,614 S * 4/2018 Tzeng D14/205
 D820,813 S * 6/2018 Sharp D14/206

D821,653 S * 6/2018 Pratley D29/112
 D824,360 S * 7/2018 Hsieh D14/205
 D824,362 S * 7/2018 Probst D14/206
 D831,000 S * 10/2018 Chong D14/206
 D840,373 S * 2/2019 Lee D14/206
 D841,620 S * 2/2019 Liu D14/206
 D845,927 S * 4/2019 Wang D14/206
 D851,063 S * 6/2019 Deng D14/206
 D851,064 S * 6/2019 Wang D14/206
 D853,988 S * 7/2019 Wang D14/206
 D856,594 S * 8/2019 Wilson D29/112
 D856,967 S * 8/2019 Tang D14/206
 D856,968 S * 8/2019 Tang D14/206
 D856,969 S * 8/2019 Tang D14/206
 D856,970 S * 8/2019 Tang D14/206
 D856,971 S * 8/2019 Tang D14/206
 D857,656 S * 8/2019 Ipsen D14/206
 D857,657 S * 8/2019 Skinner D14/206
 D859,355 S * 9/2019 Hu D14/205
 D864,903 S * 10/2019 Liu D14/206
 D868,734 S * 12/2019 Wang D14/206
 D870,696 S * 12/2019 Deng D14/206
 D870,698 S * 12/2019 Long D14/206
 2014/0341415 A1 * 11/2014 Camello H04R 1/10
 381/379
 2017/0019728 A1 * 1/2017 Cochran H04R 5/0335
 2017/0245043 A1 * 8/2017 Abbott H04R 1/1066
 2017/0347194 A1 * 11/2017 Nyegaard H04R 1/1058
 2017/0359645 A1 * 12/2017 Chen H04B 1/385
 2018/0054667 A1 * 2/2018 Yamkovoy H04R 1/1041
 2018/0220219 A1 * 8/2018 Karacal H04R 1/1008

FOREIGN PATENT DOCUMENTS

EM 005889359-0001 * 12/2018
 EM 006012506-0002 * 1/2019
 EM 007448691-0001 * 12/2019

* cited by examiner

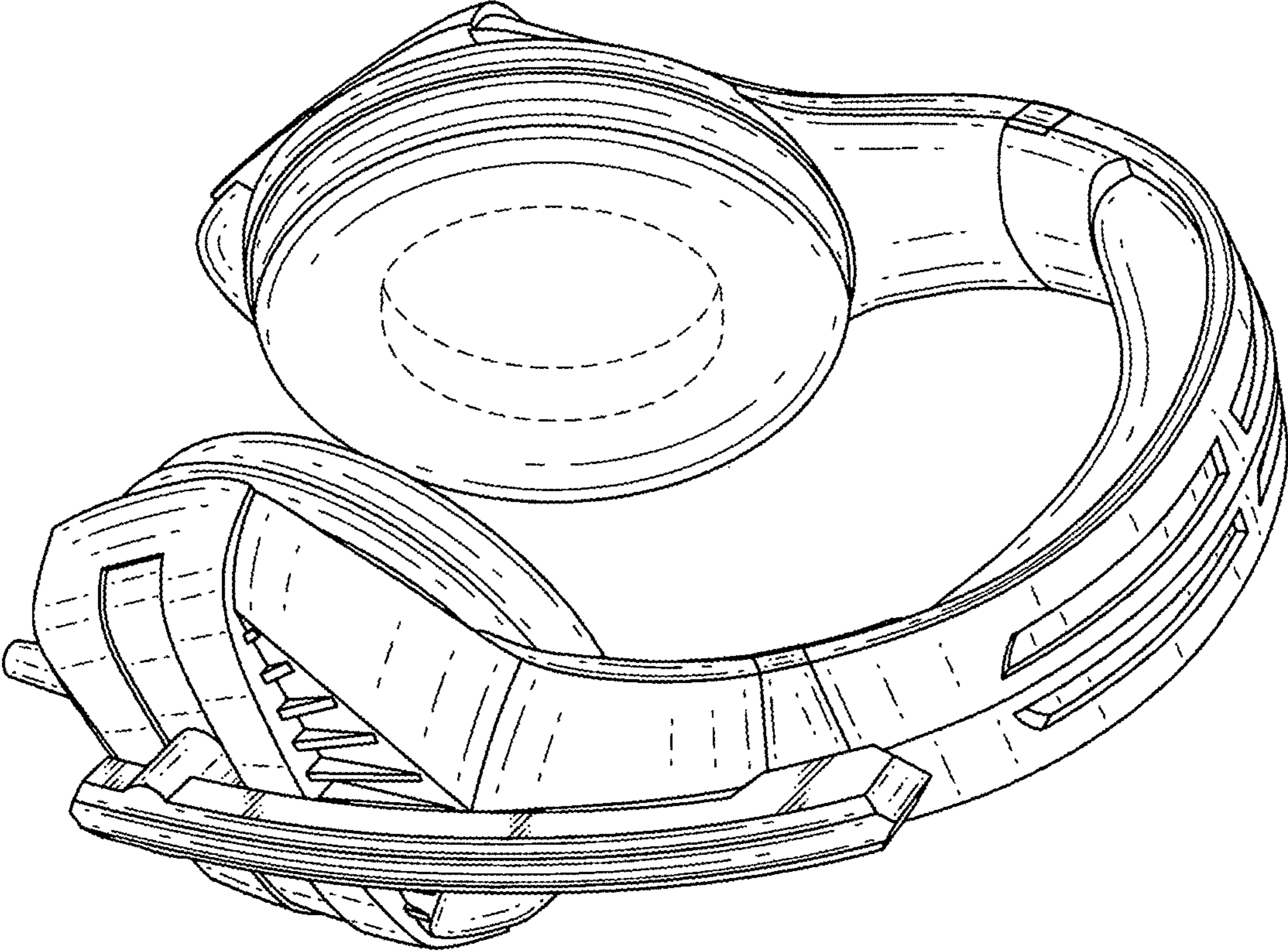


FIG. 1

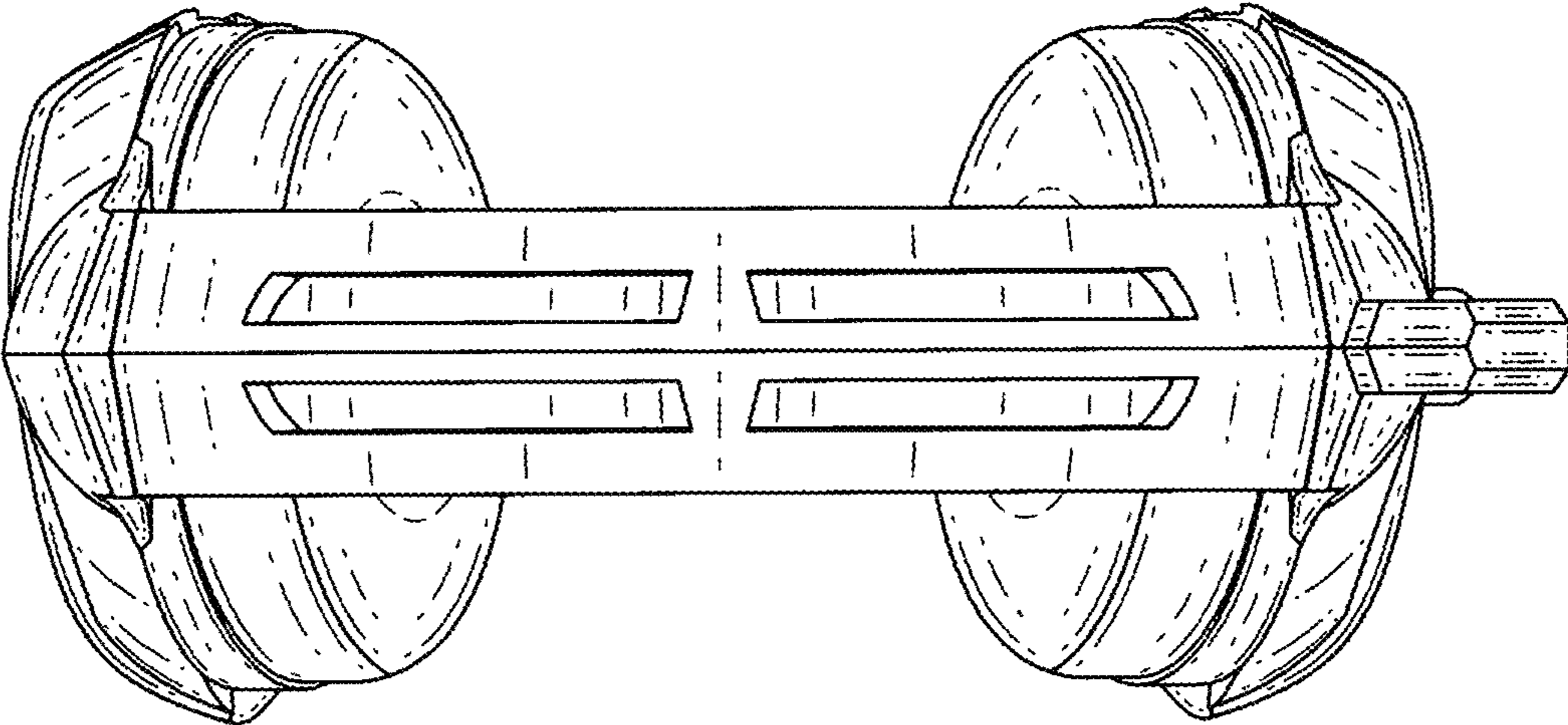


FIG. 2



FIG. 3

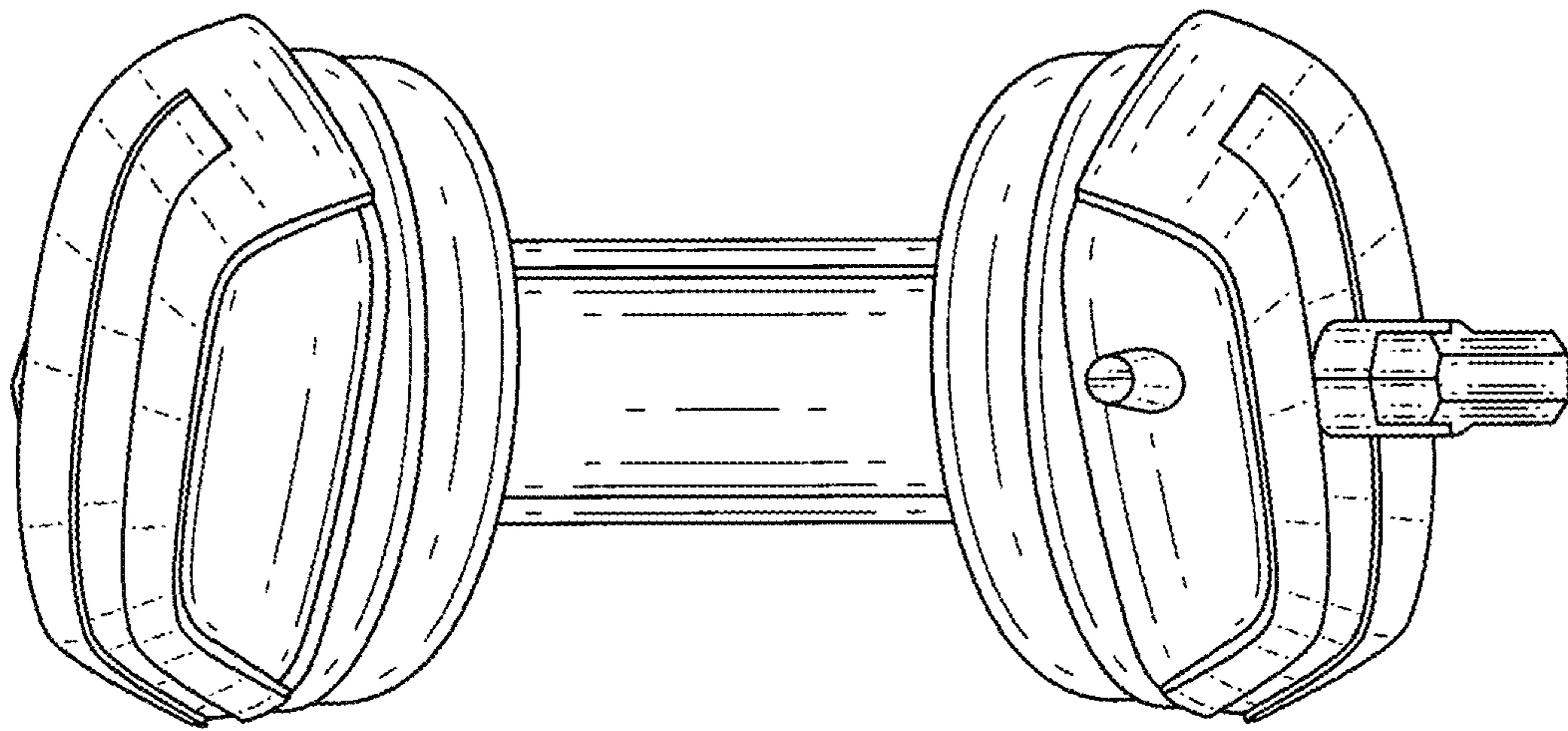


FIG. 4

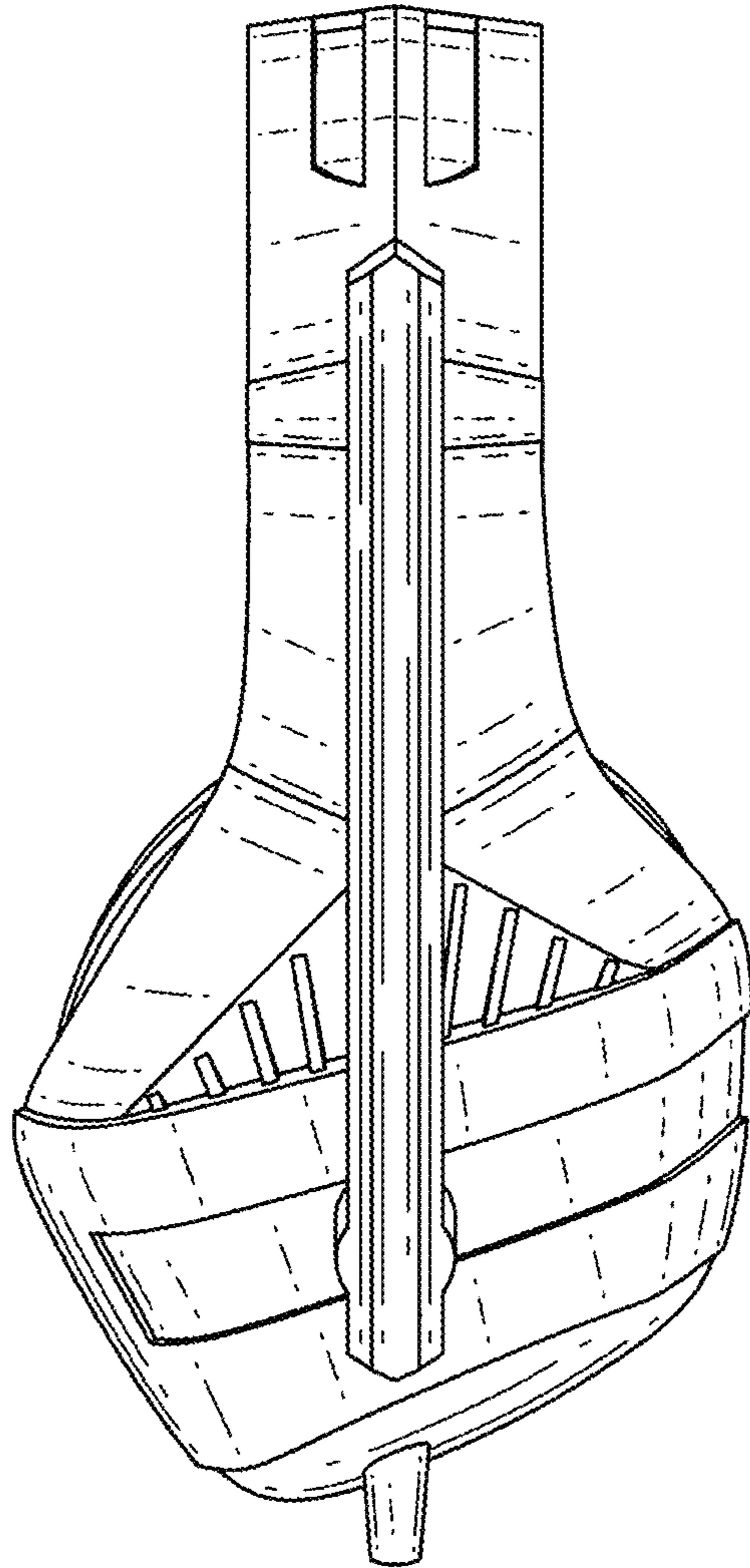


FIG. 5



FIG. 6

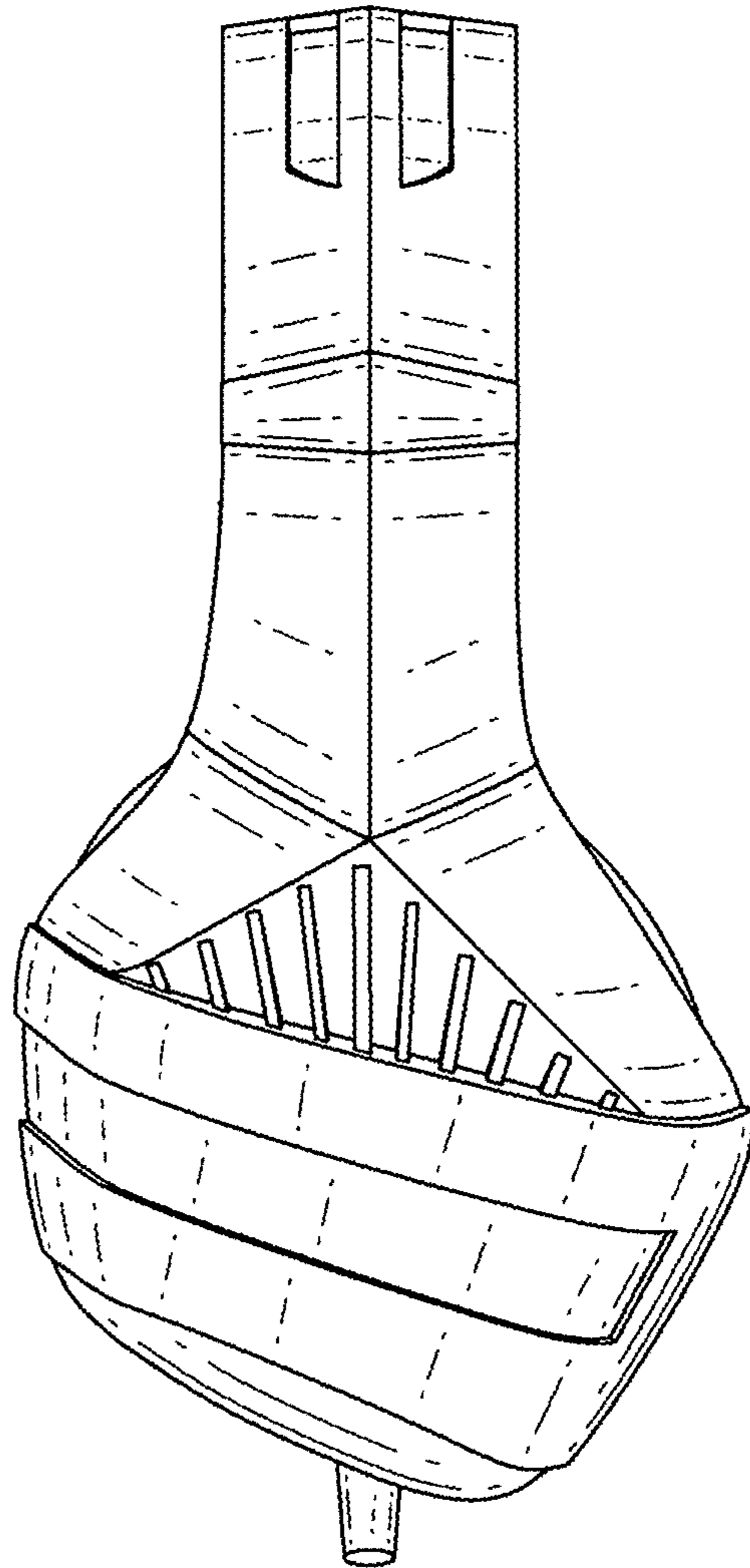


FIG. 7