



US00D894867S

(12) **United States Design Patent**
Choe

(10) **Patent No.:** **US D894,867 S**

(45) **Date of Patent:** **** Sep. 1, 2020**

(54) **HEADPHONE**

(71) Applicant: **JVC KENWOOD CORPORATION**,
Yokohama-shi, Kanagawa (JP)

(72) Inventor: **Jeong-ju Choe**, Yokohama (JP)

(73) Assignee: **JVC KENWOOD CORPORATION**,
Yokohama-Shi, Kanagawa (JP)

(**) Term: **15 Years**

(21) Appl. No.: **29/664,926**

(22) Filed: **Sep. 28, 2018**

(30) **Foreign Application Priority Data**

Apr. 9, 2018 (JP) 2018-007714

(51) **LOC (12) Cl.** **14-01**

(52) **U.S. Cl.**
USPC **D14/205**

(58) **Field of Classification Search**
USPC D14/205, 223, 188, 192; D29/112;
2/209; 181/129, 130, 135; 379/430, 431;
381/380, 381, 374; 455/90.3, 575.1,
455/569.1
CPC H04R 1/1066; H04R 1/1016; H04R 5/033;
H04R 5/0335; H04R 25/00; H04R 25/02
See application file for complete search history.

(56) **References Cited**

U.S. PATENT DOCUMENTS

- D484,485 S * 12/2003 Matsuoka D14/205
- 7,072,484 B2 * 7/2006 Shin G06F 1/1616
381/306
- D552,077 S * 10/2007 Brunner D14/205
- D563,382 S * 3/2008 Wikel D14/205
- D625,705 S * 10/2010 Ohori D14/205
- D632,668 S * 2/2011 Brunner D14/205
- D634,298 S * 3/2011 Shimizu D14/205

- D652,406 S * 1/2012 Lee D14/205
- D657,344 S * 4/2012 Brunner D14/205
- D660,824 S * 5/2012 Hardi D14/205
- D669,451 S * 10/2012 Tappeiner D14/205
- D671,914 S * 12/2012 Lee D14/205
- D673,518 S * 1/2013 Tan D14/205
- D675,595 S * 2/2013 Cho D14/205
- D677,647 S * 3/2013 Lee D14/205
- D678,860 S * 3/2013 Hagelin D14/205
- D683,329 S * 5/2013 Hagelin D14/205
- D691,579 S * 10/2013 Lee D14/205
- D691,984 S * 10/2013 Wang D14/205
- D725,630 S * 3/2015 Nakagawa D14/205
- D738,350 S * 9/2015 Brunner D14/205
- D760,687 S * 7/2016 Brunner D14/205
- D791,103 S * 7/2017 Brunner D14/205
- D791,733 S * 7/2017 Brunner D14/205
- D794,601 S * 8/2017 Riggs D14/205

(Continued)

Primary Examiner — Paula Allen Greene

(74) *Attorney, Agent, or Firm* — Nath, Goldberg & Meyer; Jerald L. Meyer

(57) **CLAIM**

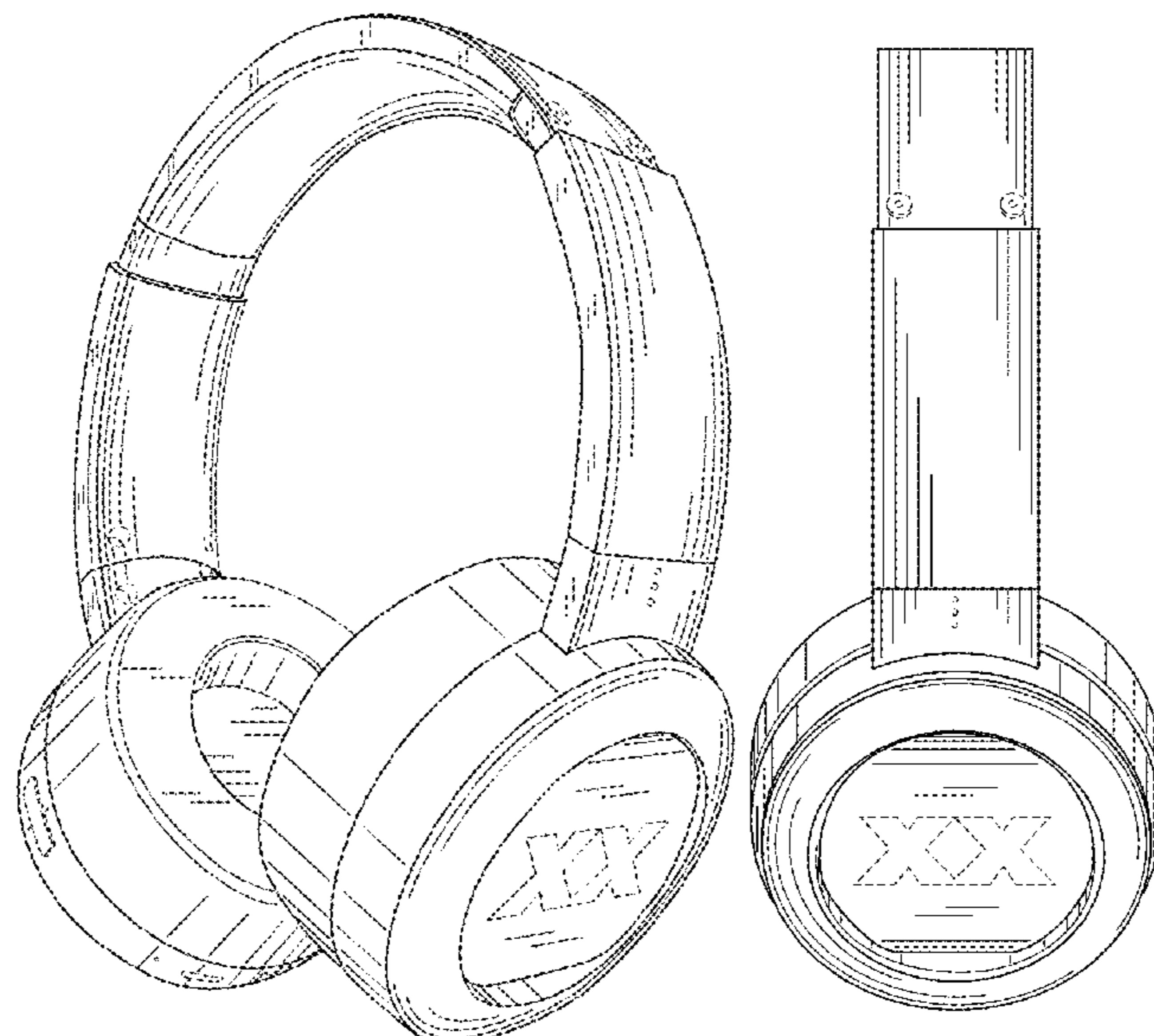
The ornamental design for a headphone, as shown and described.

DESCRIPTION

FIG. 1 is a front and right side perspective view of headphone,
FIG. 2 is a front elevational view thereof,
FIG. 3 is a rear elevational view thereof,
FIG. 4 is a top plan view thereof,
FIG. 5 is a bottom plan view thereof,
FIG. 6 is a left side elevational view thereof; and,
FIG. 7 is a right side elevational view thereof.

The broken lines in the drawing are for the purpose of illustrating portions of the headphone that for illustrative purposes only; the broken lines form no part of the claimed design.

1 Claim, 5 Drawing Sheets



(56)

References Cited

U.S. PATENT DOCUMENTS

D843,345 S *	3/2019	Brunner	D14/205
D856,303 S *	8/2019	Ando	D14/205
D858,483 S *	9/2019	Hu	D14/205
2011/0206216 A1 *	8/2011	Brunner	H04R 1/1066 381/74
2013/0087404 A1 *	4/2013	Peskar	G10K 11/168 181/129
2015/0271596 A1 *	9/2015	Chen	H04R 3/00 381/74

* cited by examiner

Fig. 1

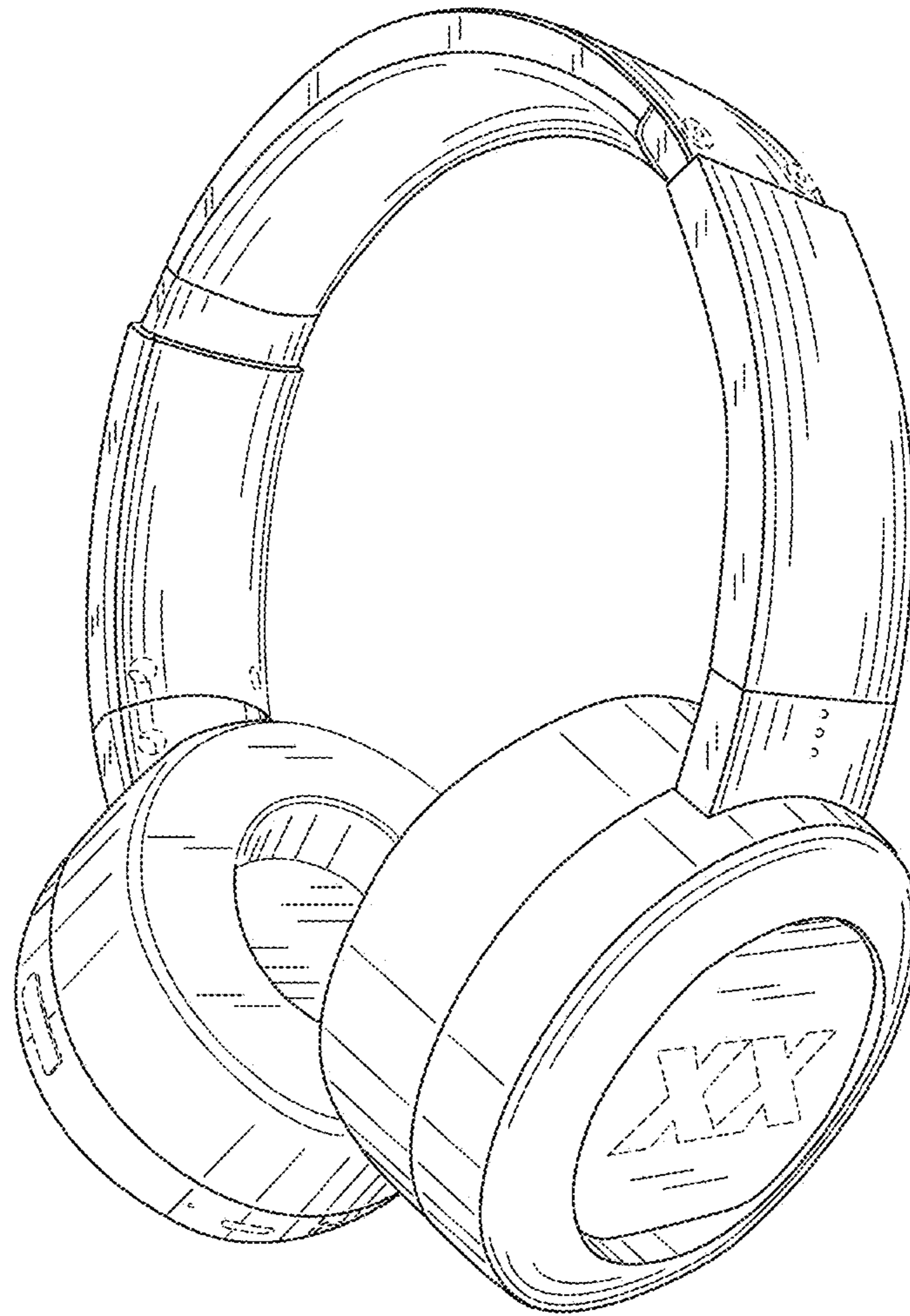


Fig.2

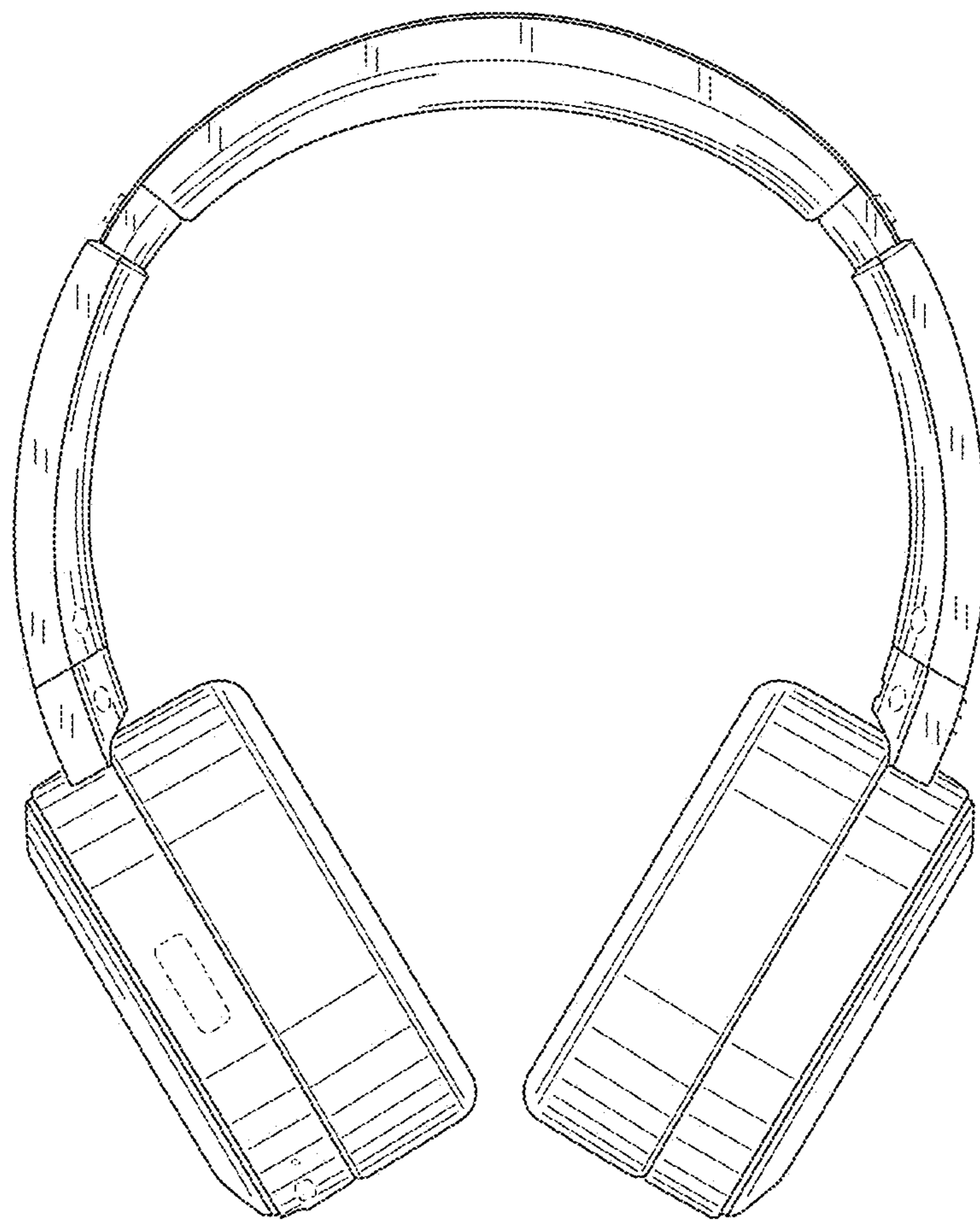


Fig.3

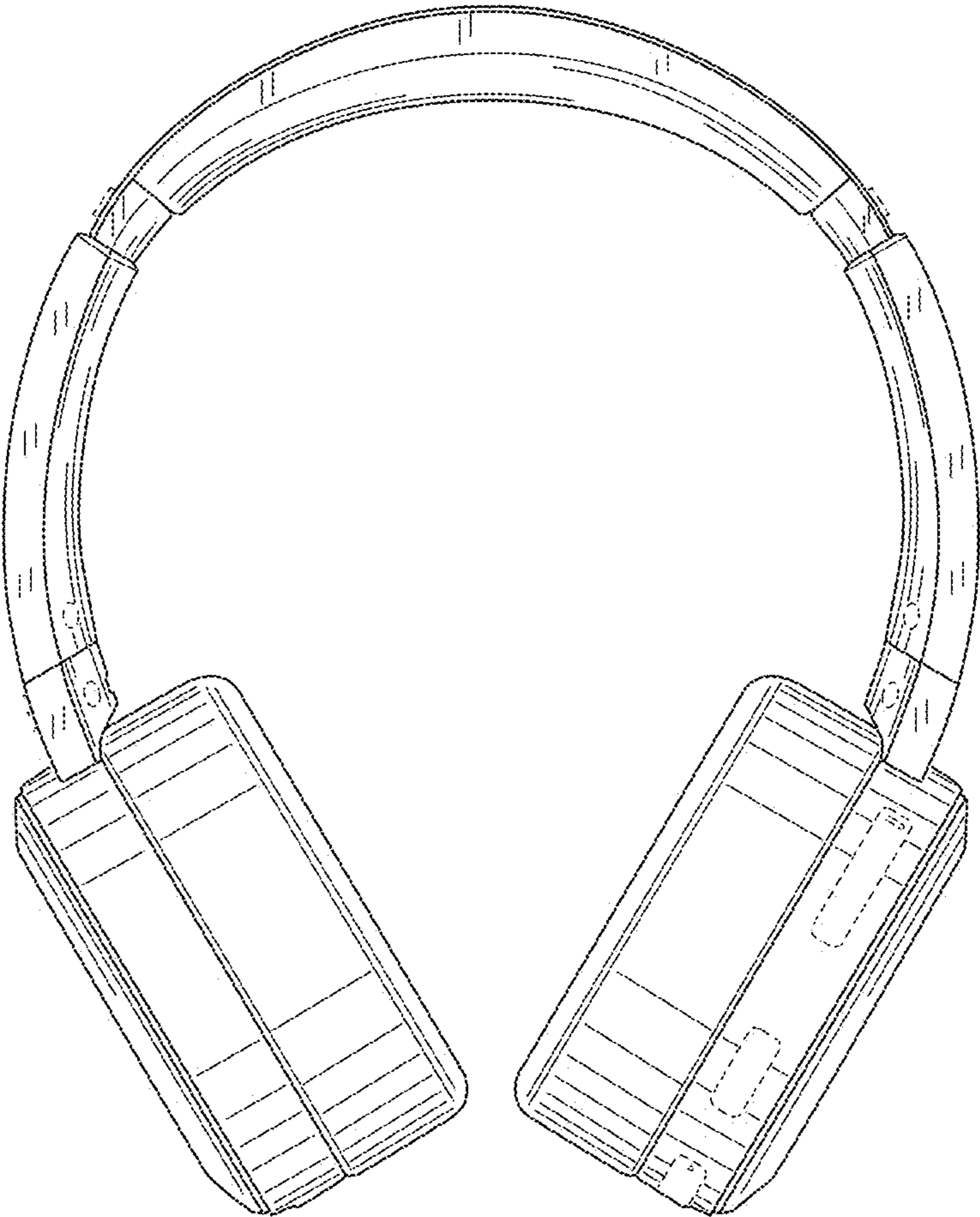


Fig.4

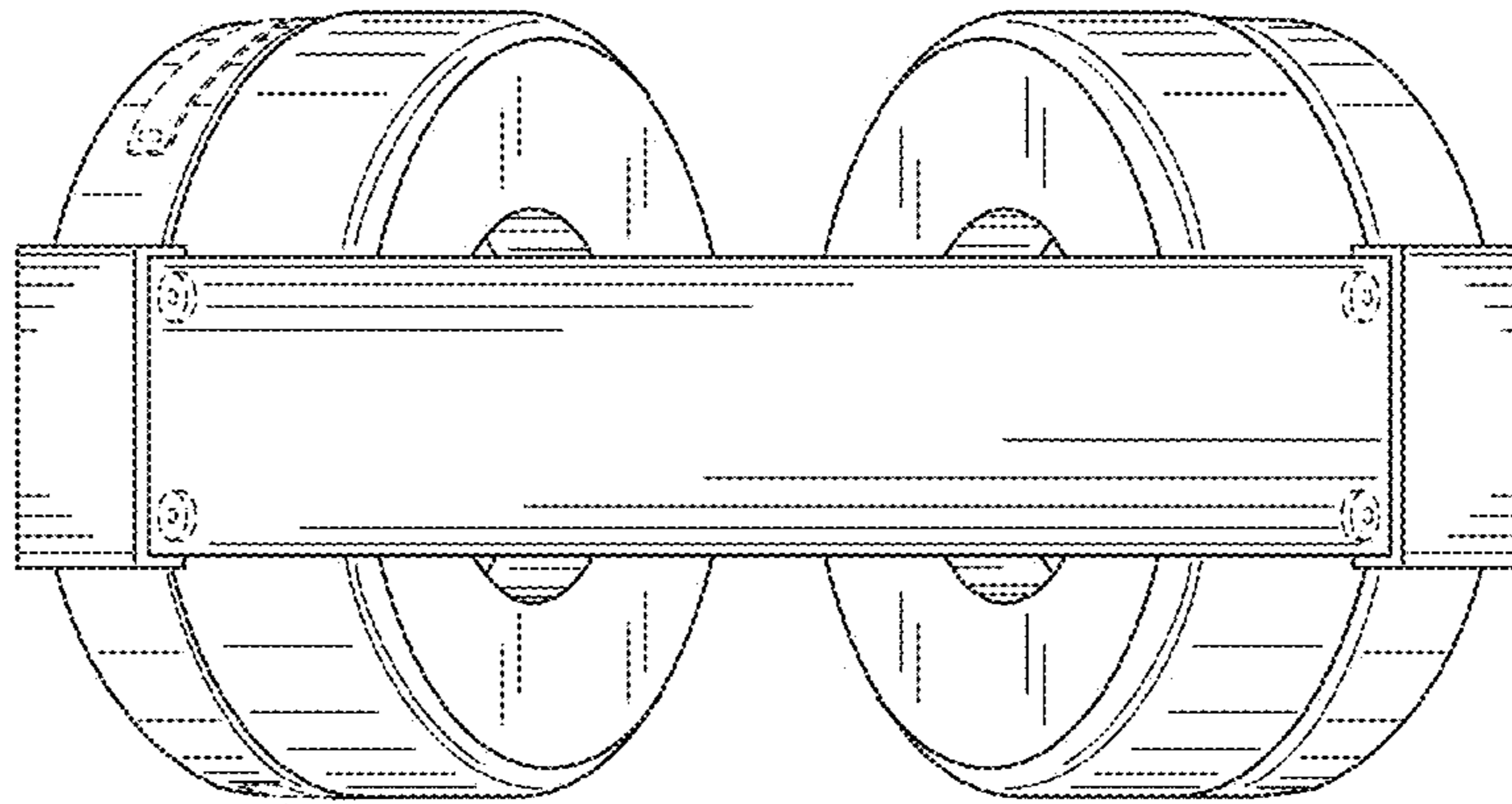


Fig.5

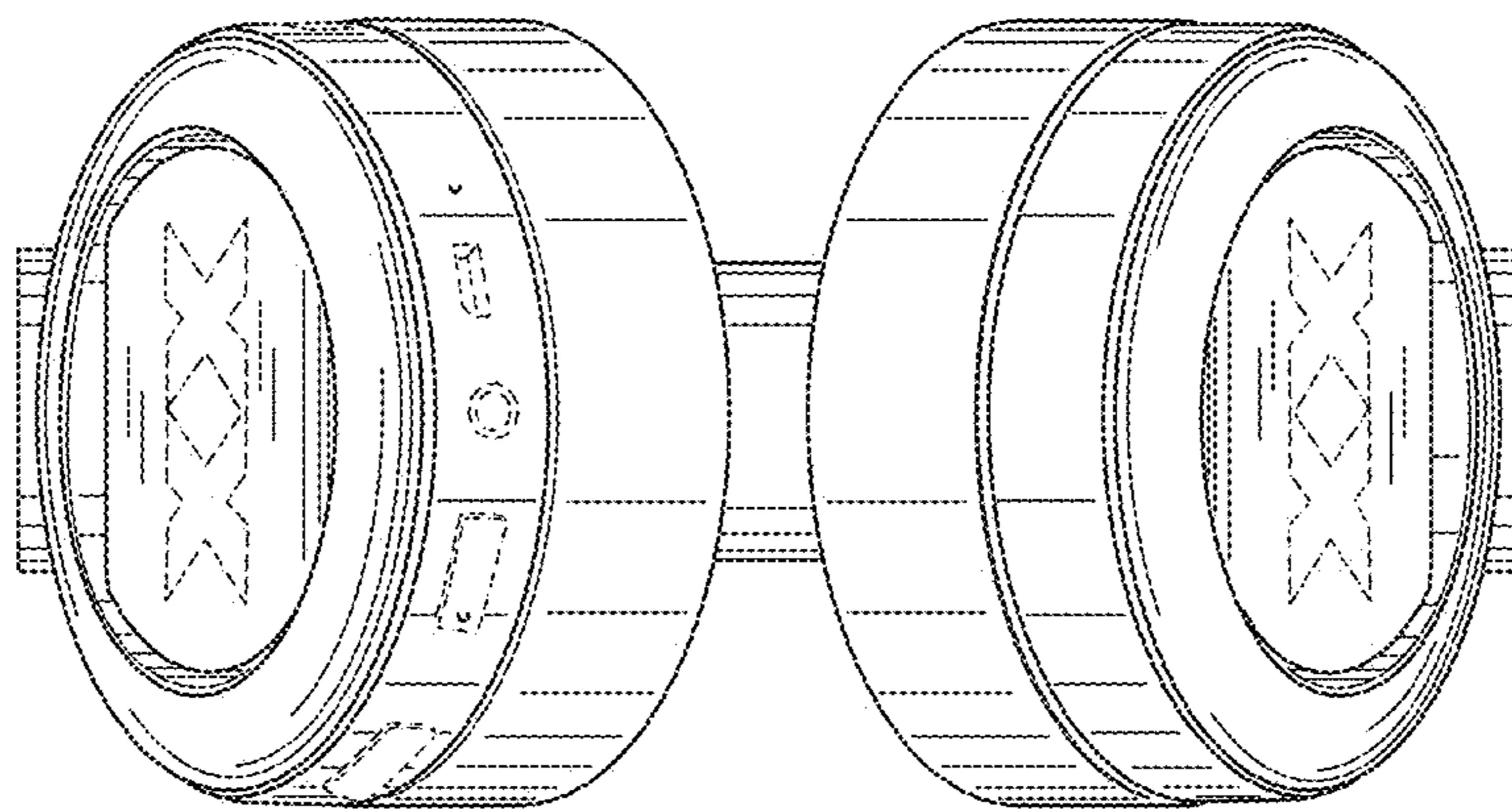


Fig.6

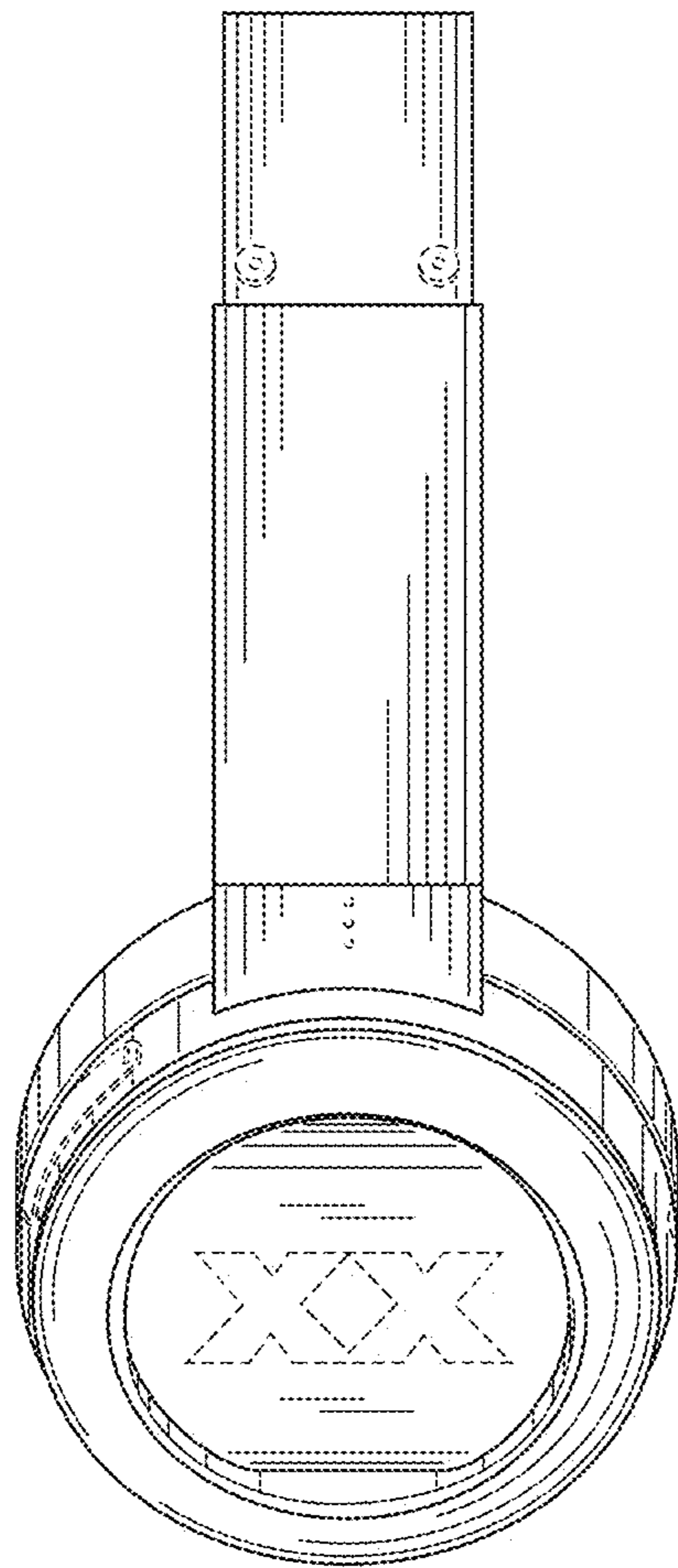


Fig.7

