

US00D894864S

(12) **United States Design Patent**  
**Peng**

(10) **Patent No.:** **US D894,864 S**

(45) **Date of Patent:** **\*\* Sep. 1, 2020**

(54) **PHONOGRAPH**

(71) Applicant: **CHANGSHA NUOKEWEI ELECTRONIC COMMERCE CO., LTD.**, Yuelu District, Changsha (CN)

(72) Inventor: **Wenhui Peng**, Changsha (CN)

(73) Assignee: **CHANGSHA NUOKEWEI ELECTRONIC COMMERCE CO., LTD.**, Changsha (CN)

|              |         |              |       |             |
|--------------|---------|--------------|-------|-------------|
| D229,574 S * | 12/1973 | Martin       | ..... | D14/201     |
| D230,508 S * | 2/1974  | Iida         | ..... | D14/203     |
| D234,315 S * | 2/1975  | Mansfield    | ..... | D14/203     |
| D238,394 S * | 1/1976  | Akazawa      | ..... | G11B 33/02  |
|              |         |              |       | D14/202     |
| D241,574 S * | 9/1976  | Mukai et al. | ..... | D14/202     |
| D247,488 S * | 3/1978  | Ohtomo       | ..... | D14/202     |
| D249,143 S * | 8/1978  | Ohtomo       | ..... | D14/203     |
| D250,333 S * | 11/1978 | Meunier      | ..... | H04R 5/02   |
|              |         |              |       | D14/203     |
| D279,371 S * | 6/1985  | Arrington    | ..... | G11B 33/027 |
|              |         |              |       | D14/202     |

\* cited by examiner

(\*\*) Term: **15 Years**

(21) Appl. No.: **29/692,135**

(22) Filed: **May 22, 2019**

(51) **LOC (12) Cl.** ..... **14-01**

(52) **U.S. Cl.**  
USPC ..... **D14/201; D14/203**

(58) **Field of Classification Search**  
USPC ..... D14/199–203, 261; 369/264–265  
CPC ..... B60R 11/02; B60K 37/04; B60K 37/06;  
H04B 1/08; H04B 1/082; G11B 17/16;  
G11B 23/00; G11B 19/16; G11B 33/02  
See application file for complete search history.

(56) **References Cited**

**U.S. PATENT DOCUMENTS**

|               |        |           |       |             |
|---------------|--------|-----------|-------|-------------|
| 2,556,421 A * | 6/1951 | Gee, Jr.  | ..... | G11B 33/027 |
|               |        |           |       | 369/78      |
| 2,923,370 A * | 2/1960 | De Capite | ..... | H04R 5/02   |
|               |        |           |       | D14/201     |
| D198,937 S *  | 8/1964 | Kitts     | ..... | D14/201     |
| D200,804 S *  | 4/1965 | Brown     | ..... | D14/203     |
| D201,206 S *  | 5/1965 | Funk      | ..... | D14/201     |
| 3,268,229 A * | 8/1966 | Funk      | ..... | G11B 33/02  |
|               |        |           |       | D14/201     |
| D207,348 S *  | 4/1967 | Kitts     | ..... | D14/201     |

*Primary Examiner* — Sandra L Morris

(74) *Attorney, Agent, or Firm* — Law Offices of Steven W. Weinrieb

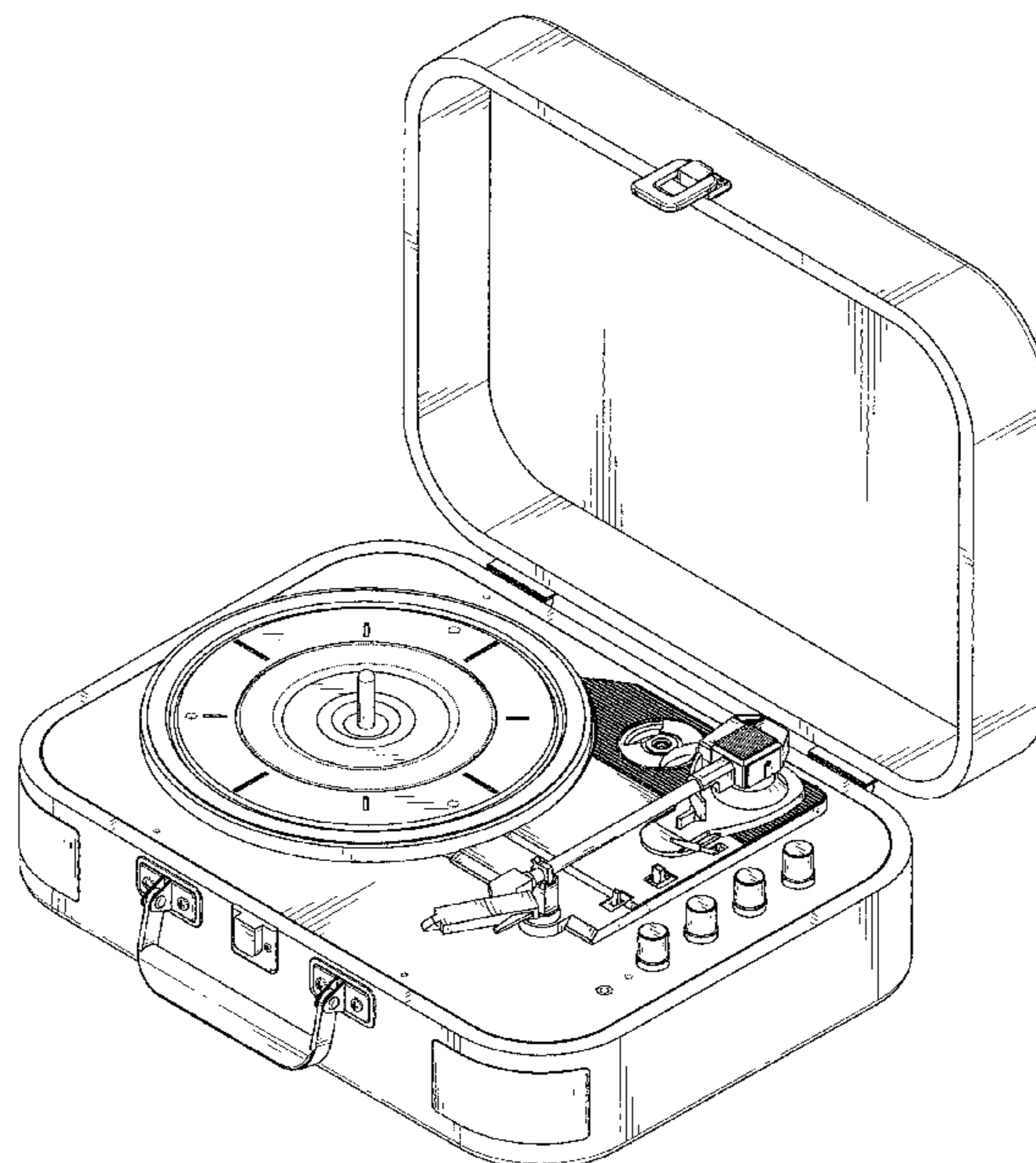
(57) **CLAIM**

The ornamental design for a phonograph, as shown and described.

**DESCRIPTION**

FIG. 1 is a front, right side, top perspective view of a phonograph showing my new design;  
 FIG. 2 is a rear, left side, bottom perspective view thereof;  
 FIG. 3 is a front elevational view thereof;  
 FIG. 4 is a rear elevational view thereof;  
 FIG. 5 is a left side elevational view thereof;  
 FIG. 6 is a right side elevational view thereof;  
 FIG. 7 is a top plan view thereof; and  
 FIG. 8 is a bottom plan view thereof; and,  
 FIG. 9 is a front, right side, top perspective view thereof when the lid of the phonograph it is closed.  
 The broken lines immediately adjacent to the claimed portions are boundaries, all other broken lines are environmental structures; all the broken lines form no part of the claimed design.

**1 Claim, 9 Drawing Sheets**



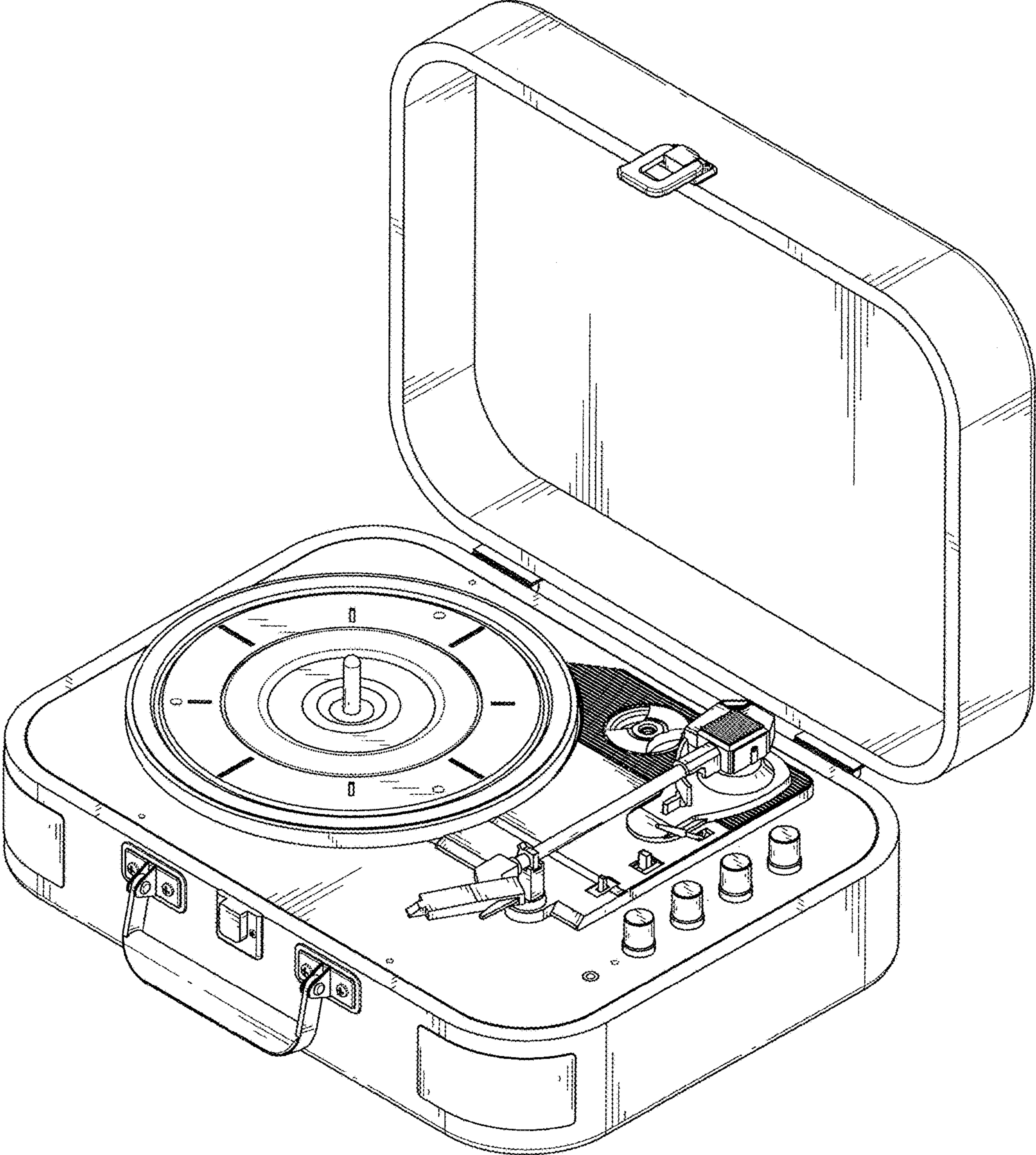


FIG. 1

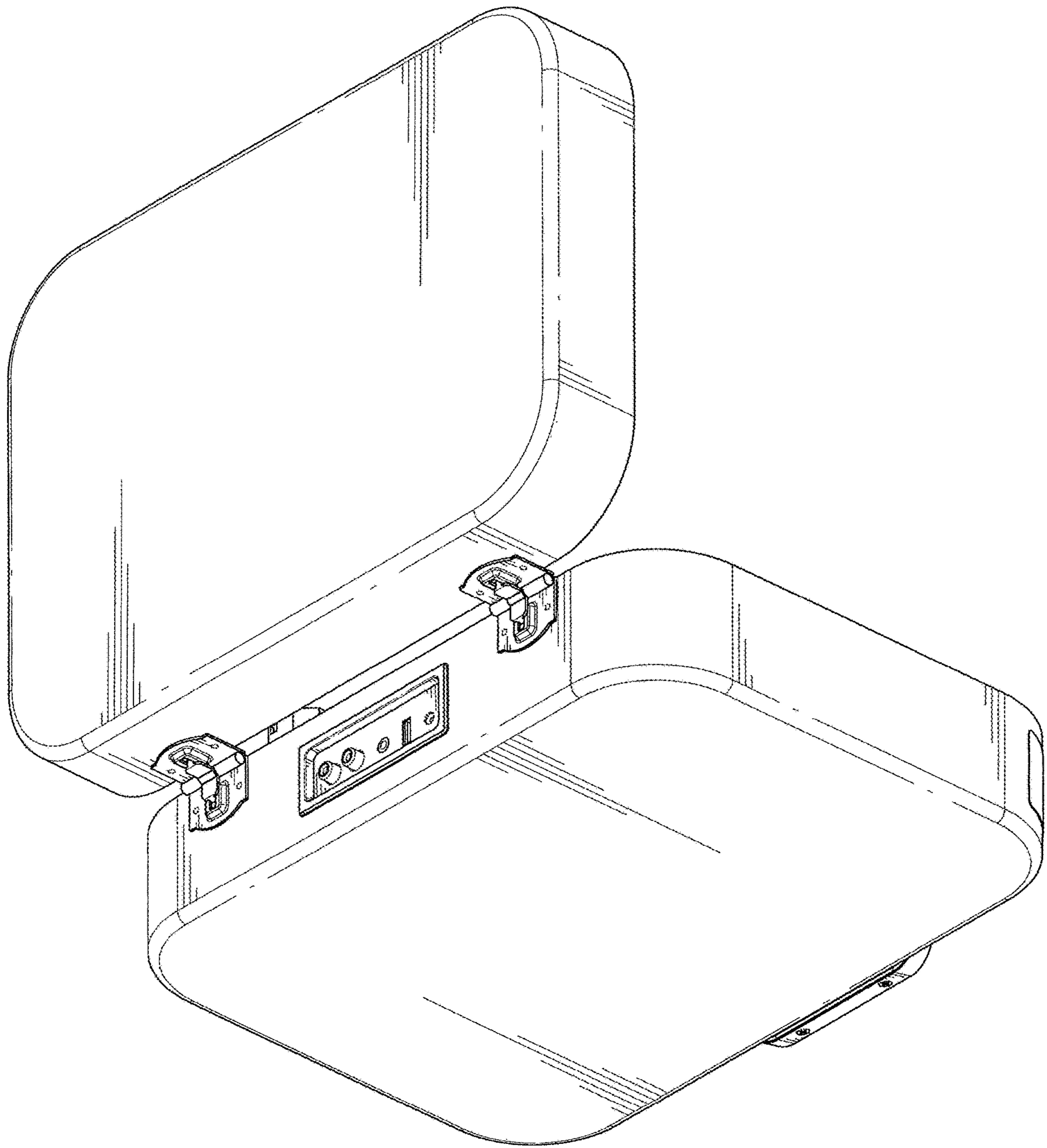


FIG. 2

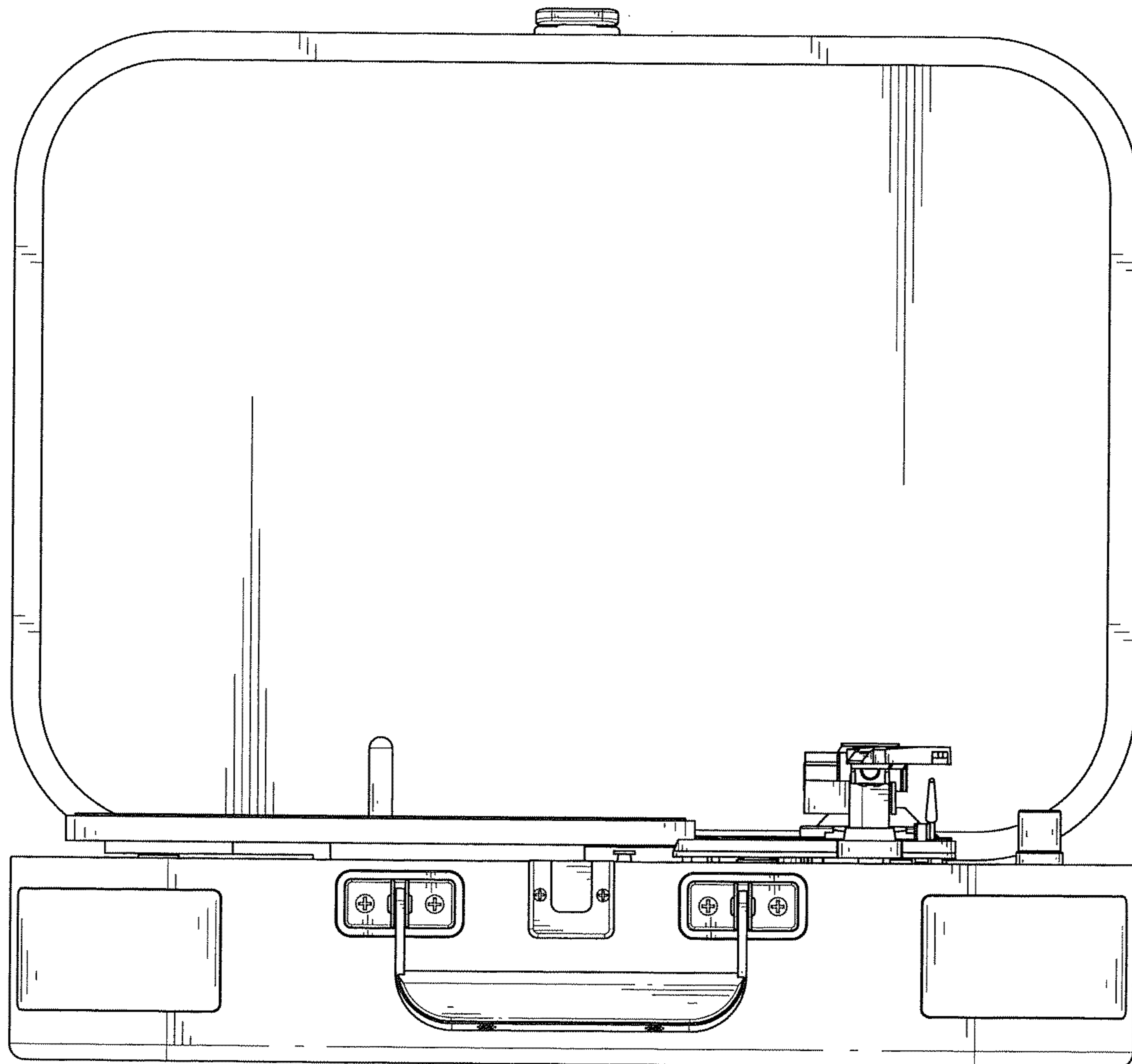


FIG. 3

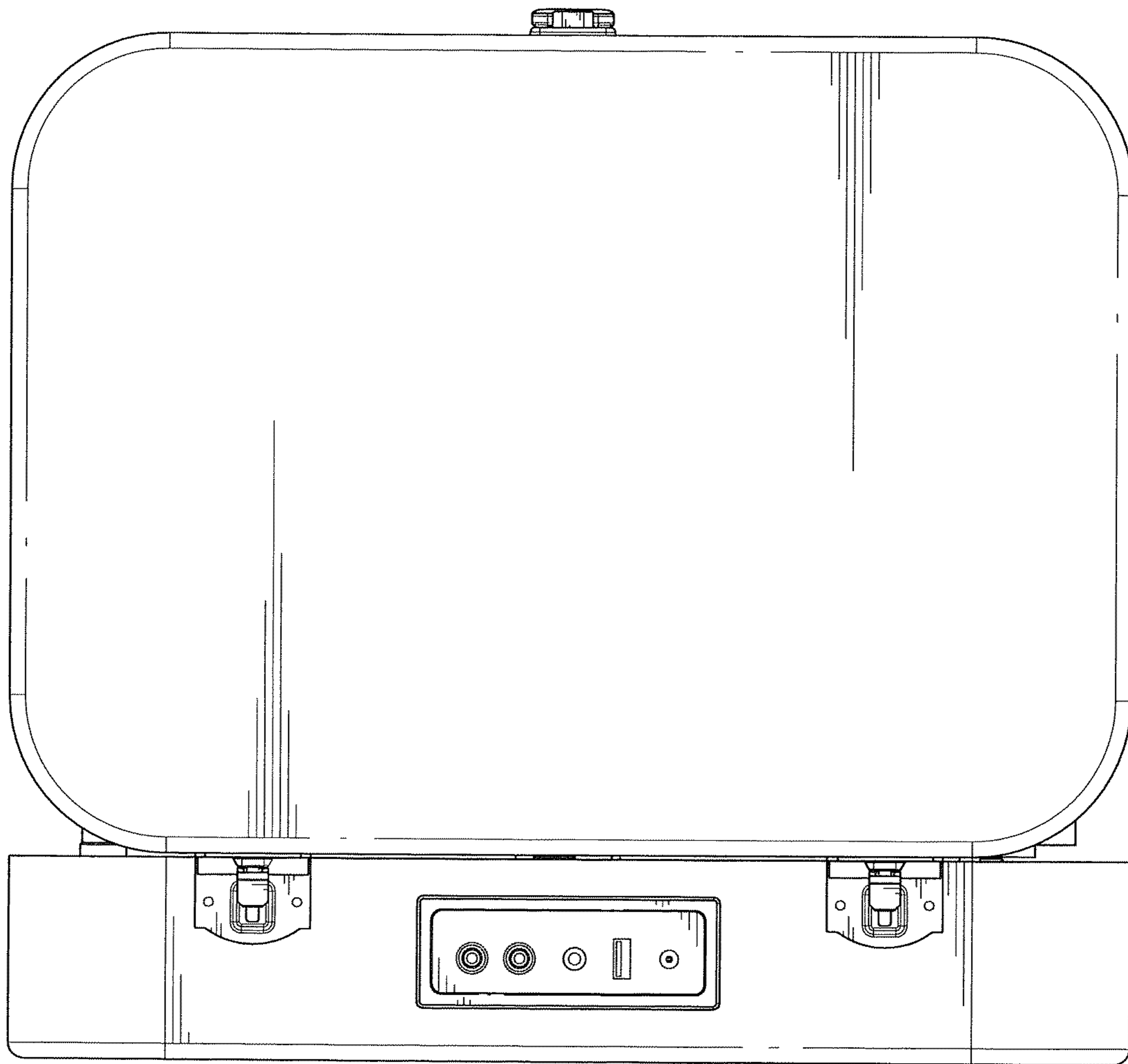


FIG. 4

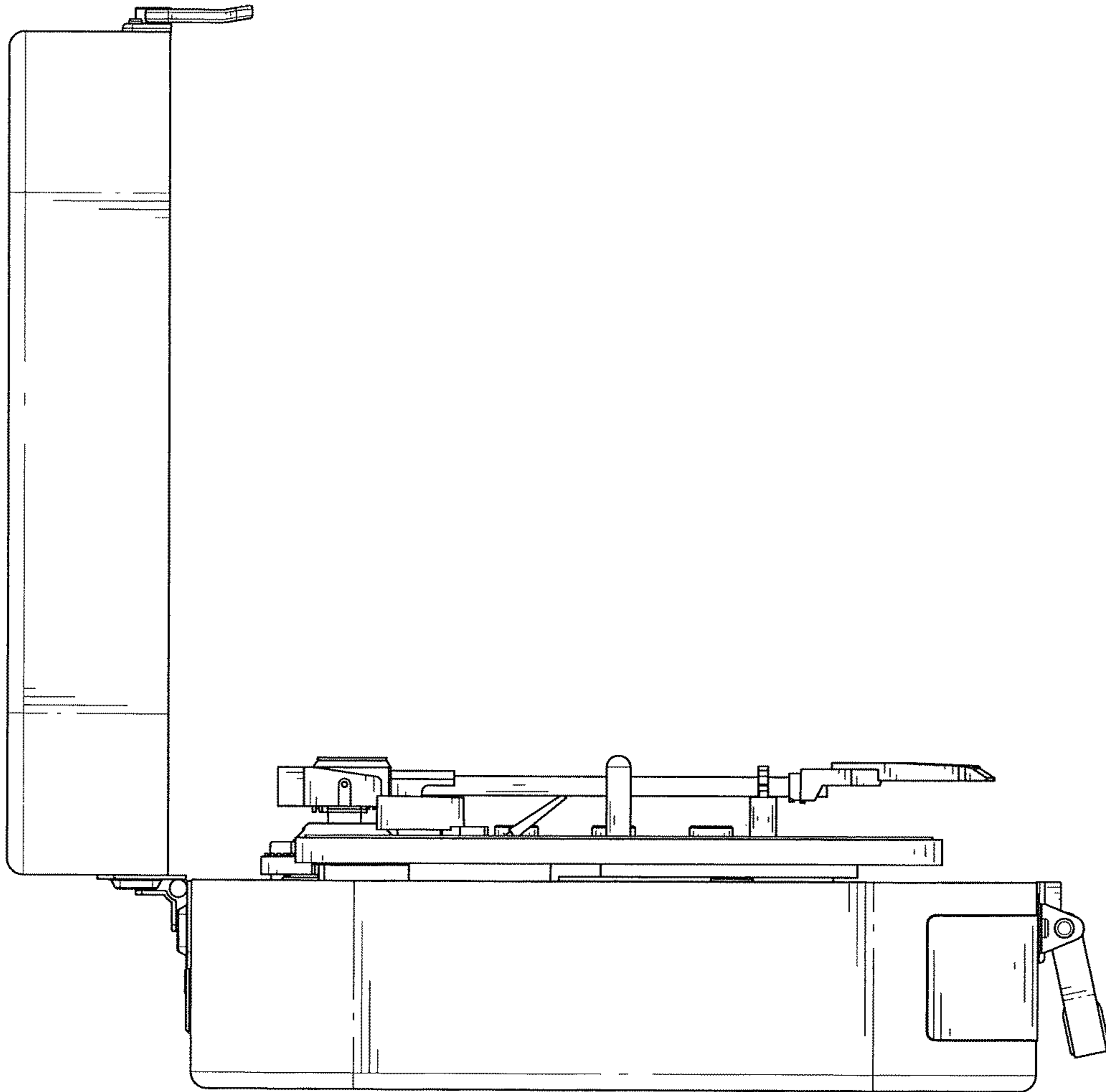


FIG. 5

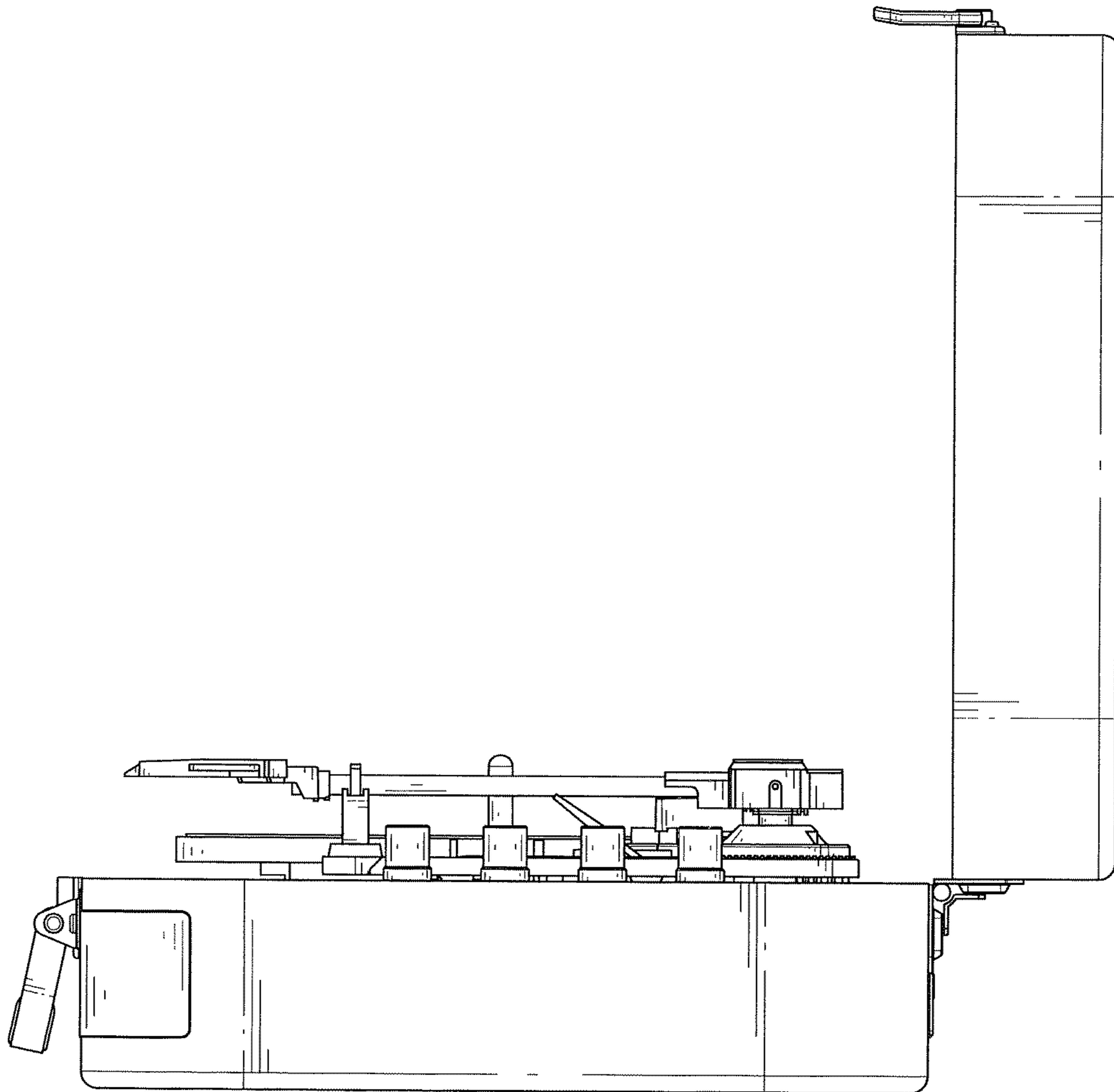


FIG. 6

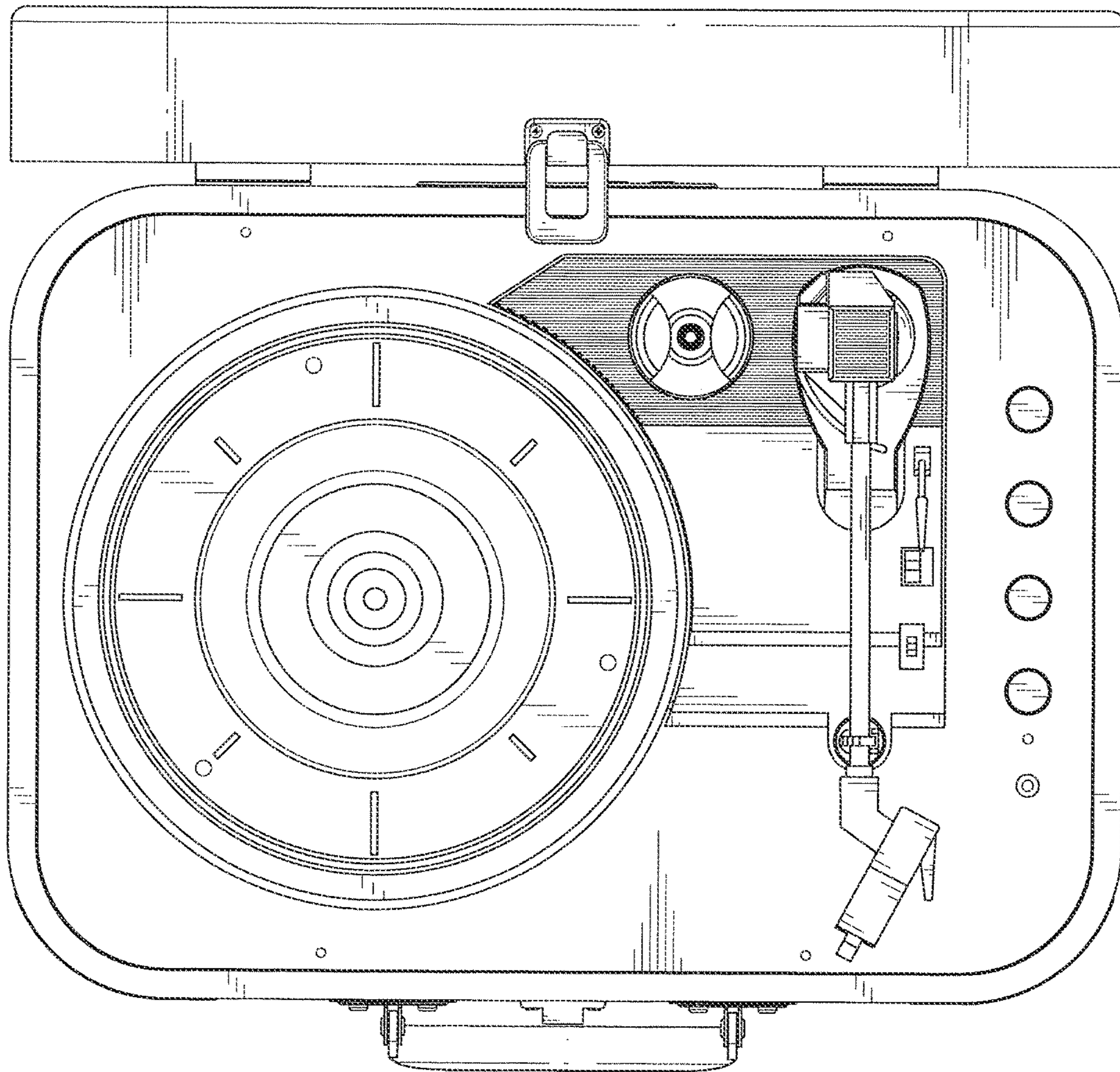


FIG. 7



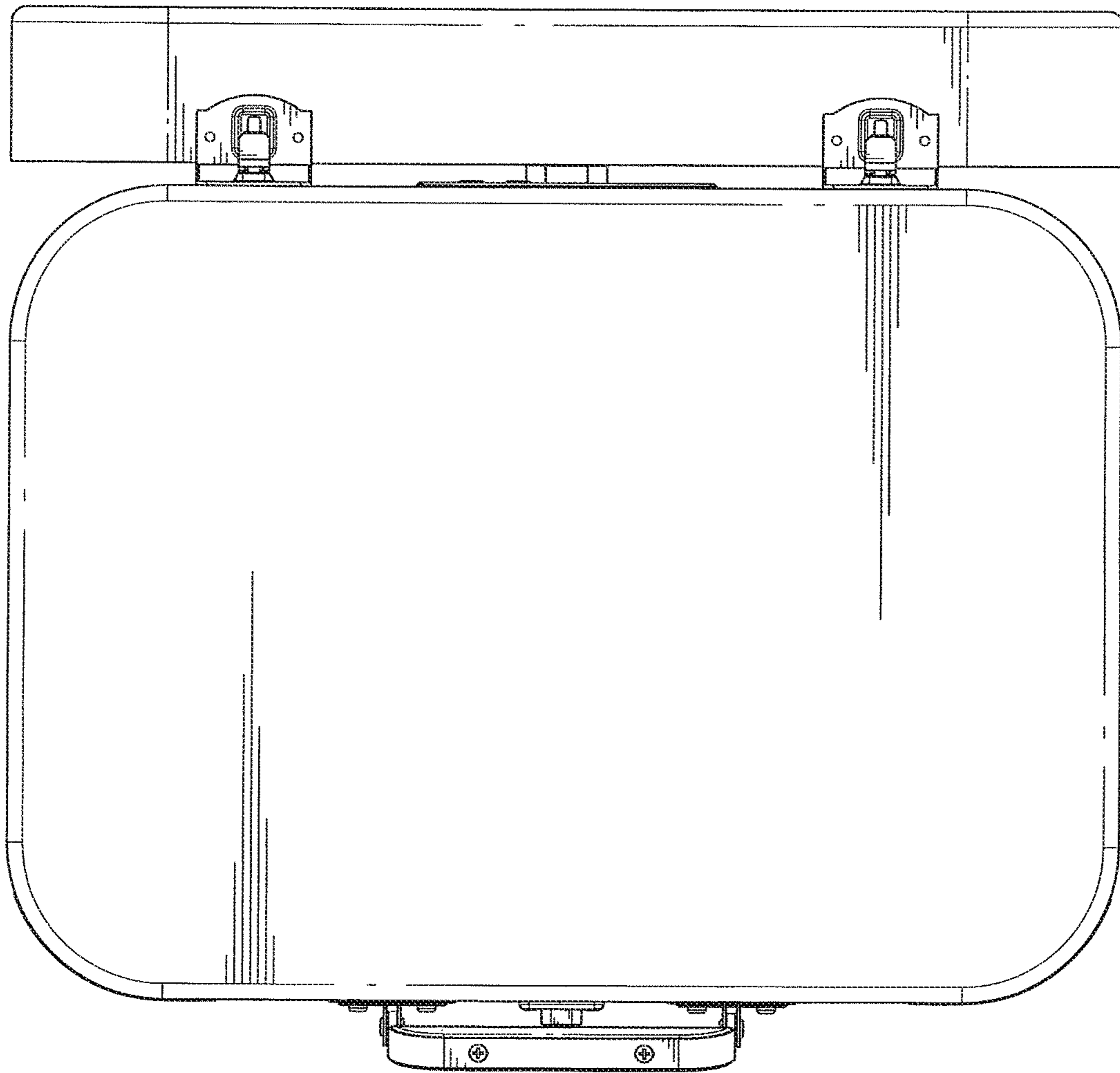


FIG. 8

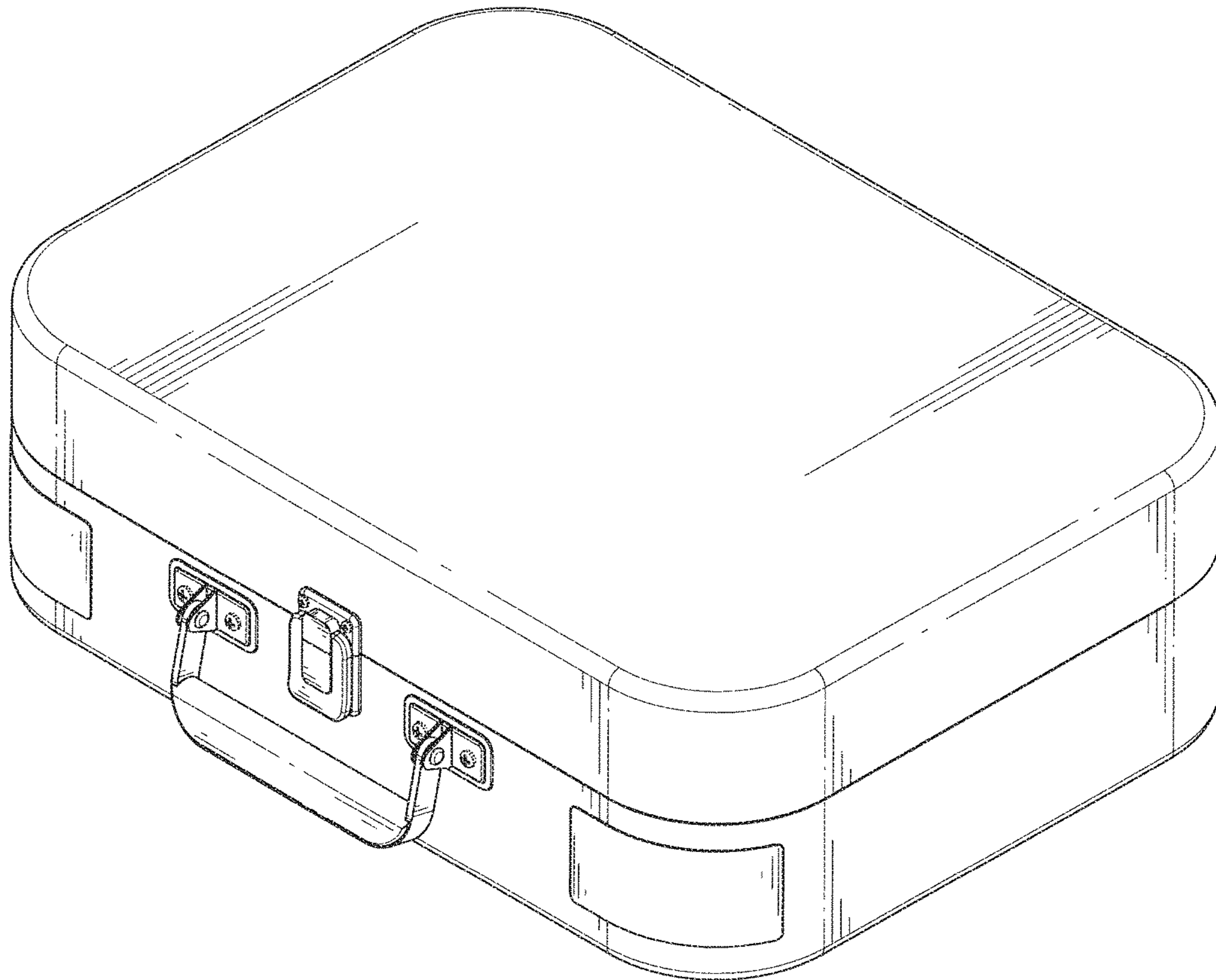


FIG. 9