



US00D894863S

(12) **United States Design Patent** (10) **Patent No.:** **US D894,863 S**
Zheng et al. (45) **Date of Patent:** **** Sep. 1, 2020**

(54) **WIRELESS SIGNAL SENSOR**
(71) Applicant: **ALIBABA GROUP HOLDING LIMITED**, Grand Cayman (KY)
(72) Inventors: **Kunkun Zheng**, Hangzhou (CN); **Le Zhou**, Hangzhou (CN)
(73) Assignee: **Alibaba Group Holding Limited**, Grand Cayman (KY)
(**) Term: **15 Years**
(21) Appl. No.: **29/695,352**
(22) Filed: **Jun. 18, 2019**

(30) **Foreign Application Priority Data**

Dec. 20, 2018 (CN) 2018 3 0743328

(51) **LOC (12) Cl.** **14-03**

(52) **U.S. Cl.**
USPC **D14/155; D14/358; D10/104.1**

(58) **Field of Classification Search**
USPC ... D14/140.1, 240, 242, 358, 125, 129, 130, D14/140, 142, 155, 167, 168, 172, 188, D14/195, 299, 496, 348, 351, 356, 357, D14/197, 198, 230, 104.6; D13/110, 123, D13/152, 158, 162, 162.1, 163, 168, 184, D13/199, 108; D10/104.1, 106.1, 106.6, D10/116.1, 61, 64, 75, 106.9, 65, 70
CPC ... H04W 88/00; H04W 88/005; H04W 88/02; H04W 88/08; H04W 88/085; H04W 88/10; H04W 88/12; H04W 88/14; H04W 88/16; H04W 88/18; H04W 4/00; H04W 4/80; H04W 8/005; H04W 40/244; H01Q 1/02; H01Q 1/2291; H01Q 1/246; H04B 1/38

See application file for complete search history.

(56) **References Cited**

U.S. PATENT DOCUMENTS

D248,951 S * 8/1978 Imazeki D14/197
D252,027 S * 6/1979 Imazeki D14/198

D261,887 S * 11/1981 Hisatsune D14/188
D267,949 S * 2/1983 Hisatsune D14/188
D346,607 S * 5/1994 Bhargava D14/242
D347,219 S * 5/1994 McGreevy D14/137
D357,684 S * 4/1995 Moreland D14/240
D384,065 S * 9/1997 Bice D14/149
D408,812 S * 4/1999 Danis D14/137
D433,642 S * 11/2000 Bauman D10/104.1
D439,893 S * 4/2001 Tokuhara D14/301
D479,219 S * 9/2003 Abe D14/188
D494,588 S * 8/2004 Shang D14/363
D558,687 S * 1/2008 Ball D13/164
D563,381 S * 3/2008 Carrier D14/188
D565,021 S * 3/2008 Wilson D14/188
D585,388 S * 1/2009 Ball D13/169
D587,708 S * 3/2009 Yoshida D14/358

(Continued)

Primary Examiner — Marie D. Fast Horse

(74) *Attorney, Agent, or Firm* — Sheppard Mullin Richter & Hampton LLP

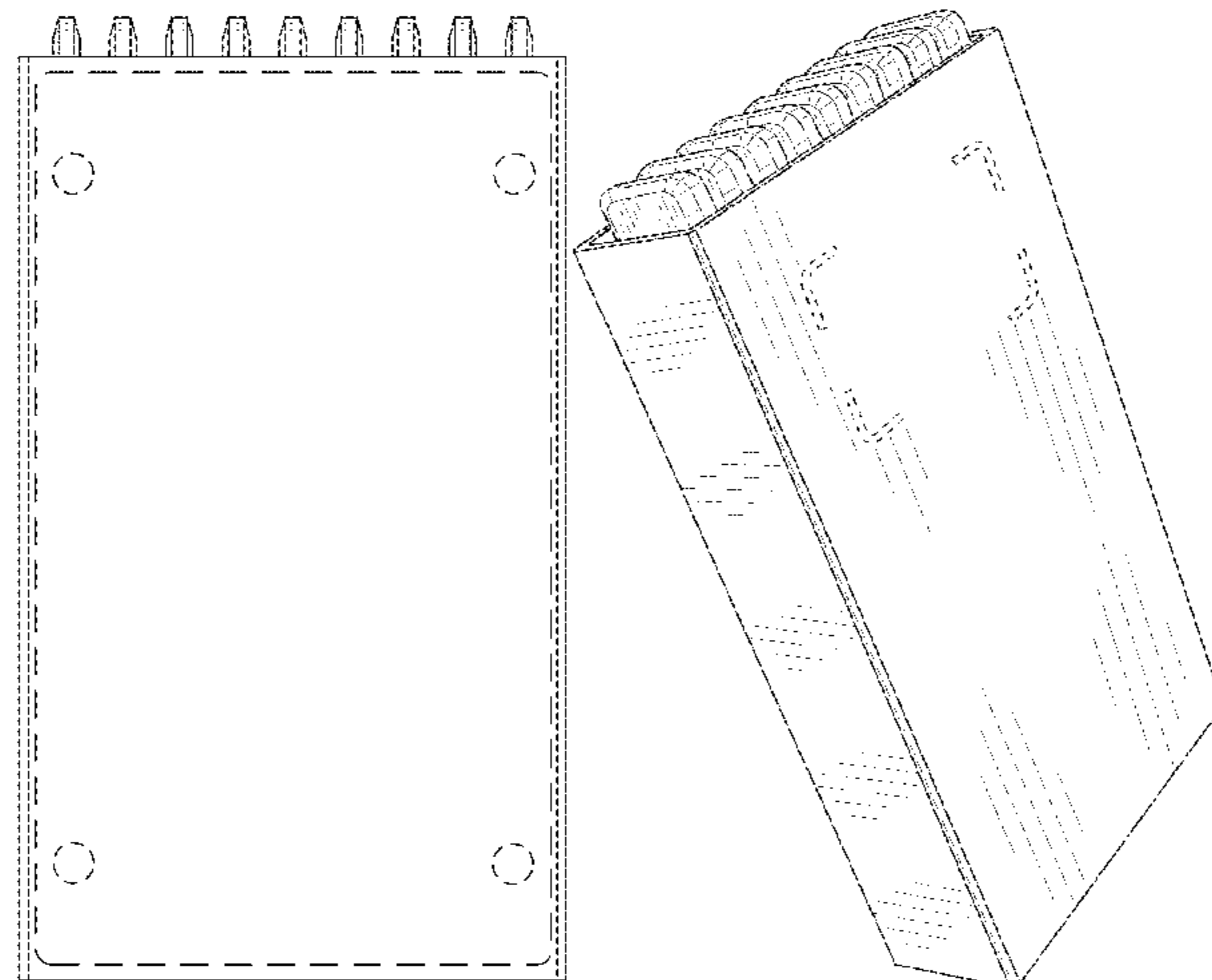
(57) **CLAIM**

The ornamental design for a wireless signal sensor, as shown and described.

DESCRIPTION

FIG. 1 is a front view of a wireless signal sensor; FIG. 2 is a rear view thereof; FIG. 3 is a left-side view thereof; FIG. 4 is a right-side view thereof; FIG. 5 is a top view thereof; FIG. 6 is a bottom view thereof; and, FIG. 7 is a front-left perspective view thereof. The broken lines in the drawings depict portions of the wireless signal sensor that are not part of the claimed design. Any shading and cross-hatching are not features of the design but are utilized to illustrate the surface contours of the wireless signal sensor in the drawings.

1 Claim, 7 Drawing Sheets



(56)

References Cited

U.S. PATENT DOCUMENTS

D593,961 S * 6/2009 Ball D13/158
 D598,001 S * 8/2009 Peng D14/139
 D610,539 S * 2/2010 Dahan D13/110
 D611,004 S * 3/2010 Nutting D13/162
 D616,376 S * 5/2010 Lannoch D13/162
 D621,793 S * 8/2010 Nutting D13/164
 D665,348 S * 8/2012 Ledbetter D13/110
 D670,681 S * 11/2012 Chang D14/242
 8,358,980 B2 * 1/2013 Tajima H04R 1/406
 381/58
 D687,023 S * 7/2013 Jung D14/242
 D694,735 S * 12/2013 Wilson D14/188
 D703,181 S * 4/2014 Wilson D14/188
 D708,611 S * 7/2014 Burmeister-Brown D14/356
 D711,923 S * 8/2014 Dallmeyer D14/495
 D715,761 S * 10/2014 Kim D14/188
 D717,309 S * 11/2014 Govindarajan D14/480.6
 D723,513 S * 3/2015 Corval D14/210
 D723,566 S * 3/2015 Ferguson D14/435.1
 D726,035 S * 4/2015 Perez D10/65
 D726,141 S * 4/2015 Wilson D14/188
 D742,268 S * 11/2015 Kalinowski D10/114.2
 D743,333 S * 11/2015 Nomi D13/108

D743,886 S * 11/2015 Nomi D13/108
 D747,992 S * 1/2016 Kalinowski D10/114.2
 D749,589 S * 2/2016 Ferguson D14/435.1
 D750,992 S * 3/2016 Perez D10/104.1
 D763,185 S * 8/2016 Wen D13/103
 D767,534 S * 9/2016 Xiong D14/214
 D769,812 S * 10/2016 Lin D13/103
 D780,183 S * 2/2017 Ferguson D14/435.1
 D790,539 S * 6/2017 Lee D14/240
 D805,938 S * 12/2017 Park D10/104.1
 D808,921 S * 1/2018 Nishizawa D14/198
 D812,000 S * 3/2018 Li D13/108
 D813,212 S * 3/2018 Nangeroni D14/240
 D814,434 S * 4/2018 Li D14/125
 D814,451 S * 4/2018 Shin D14/242
 D816,057 S * 4/2018 Jue D14/155
 D827,594 S * 9/2018 Shim D13/184
 D831,014 S * 10/2018 Delibie D14/242
 D848,419 S * 5/2019 Jun D14/356
 D853,999 S * 7/2019 Jiang D14/242
 D857,013 S * 8/2019 Dabrowska D14/358
 D873,233 S * 1/2020 Du D14/155
 D873,234 S * 1/2020 Du D14/155
 D876,402 S * 2/2020 Liu D14/230
 D877,111 S * 3/2020 Yu D14/155
 D877,736 S * 3/2020 Ouyang D14/358

* cited by examiner

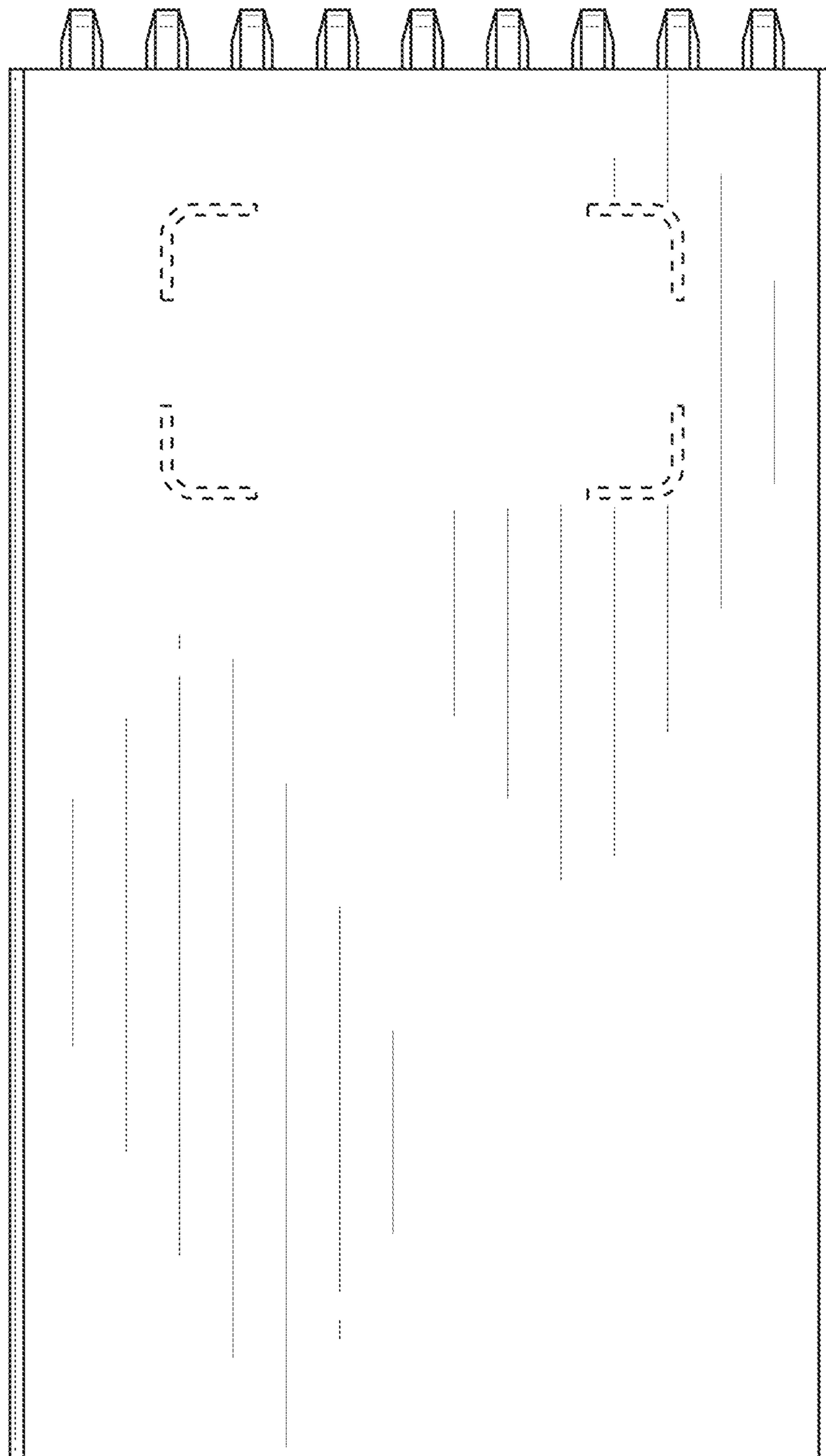


FIG. 1

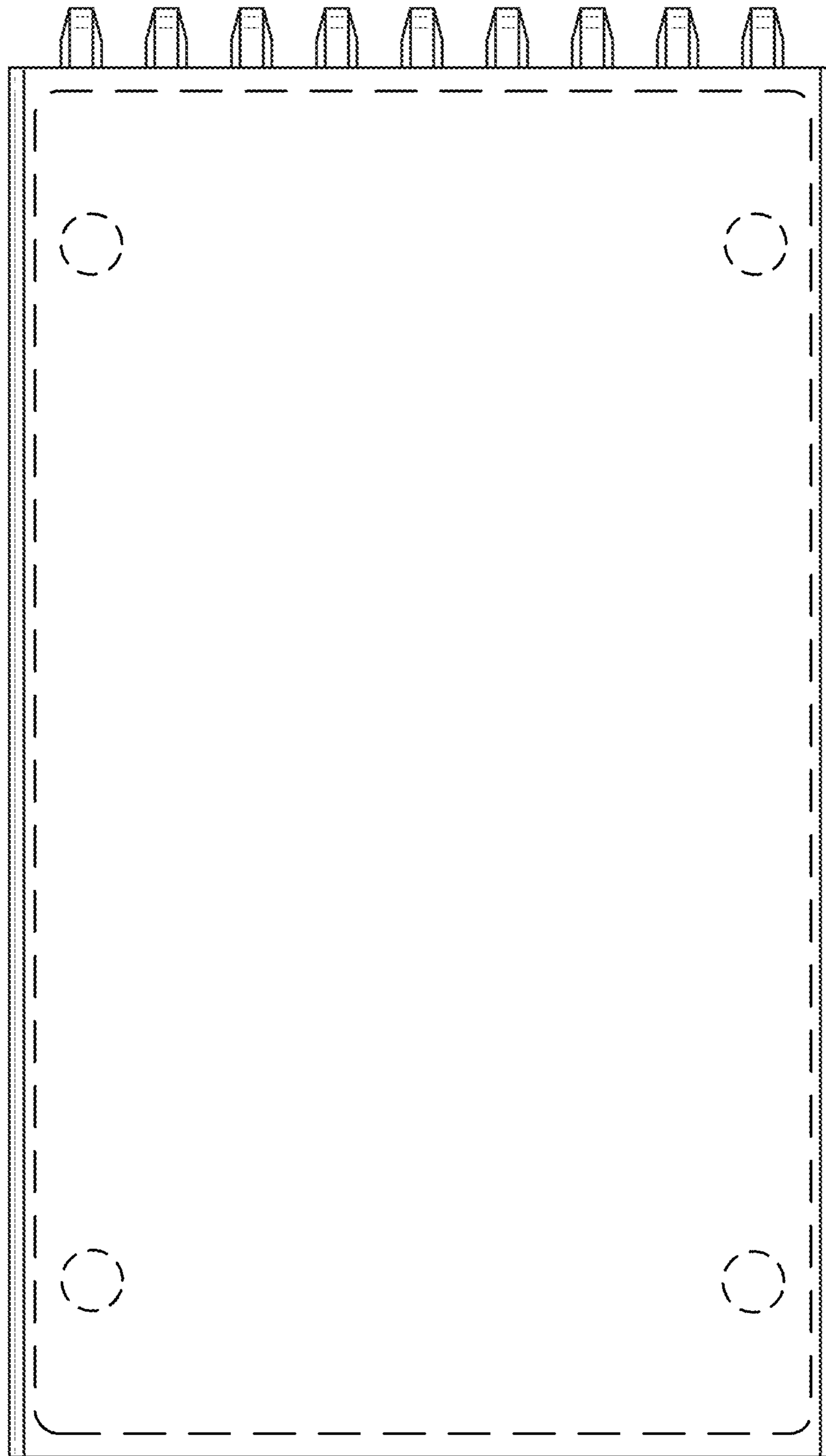


FIG. 2

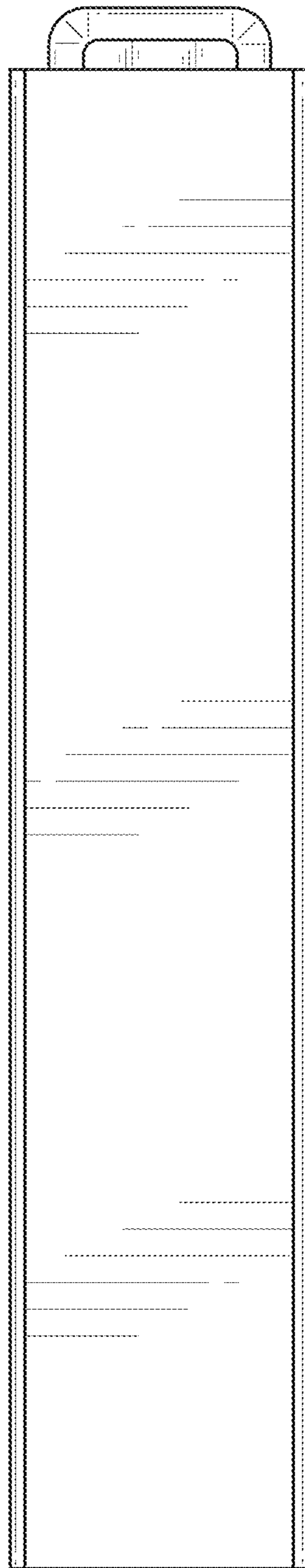


FIG. 3

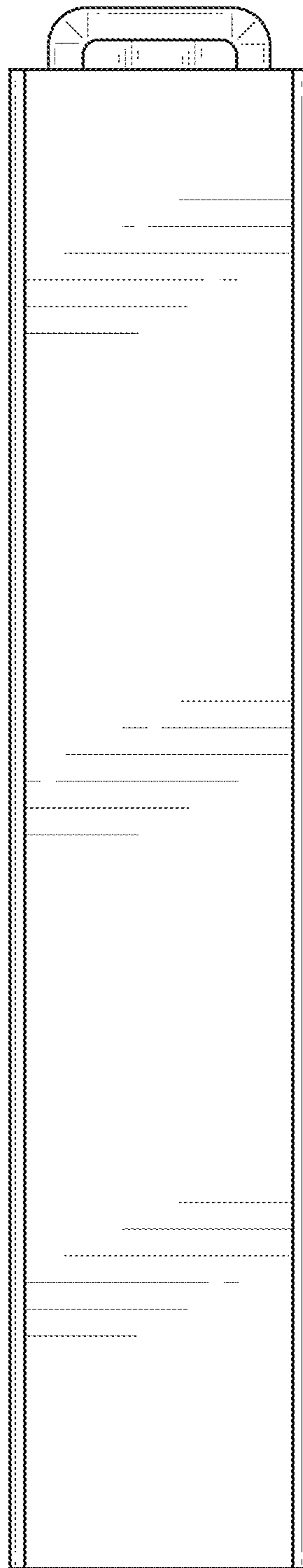


FIG. 4

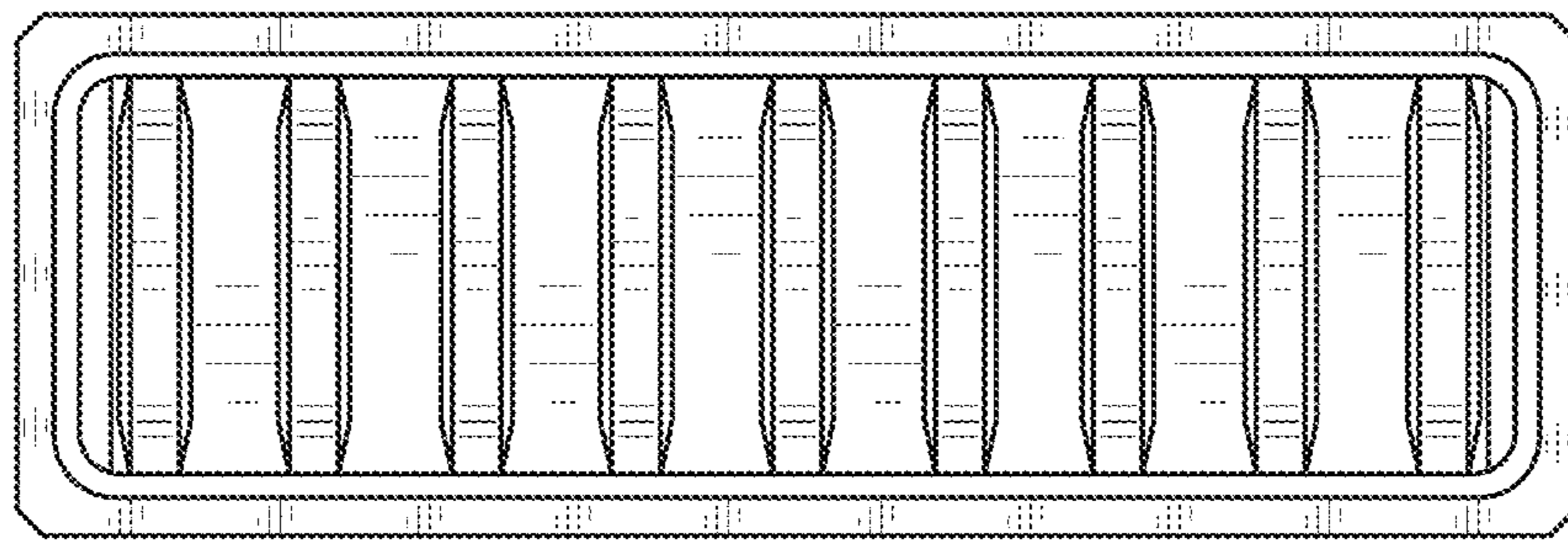


FIG. 5

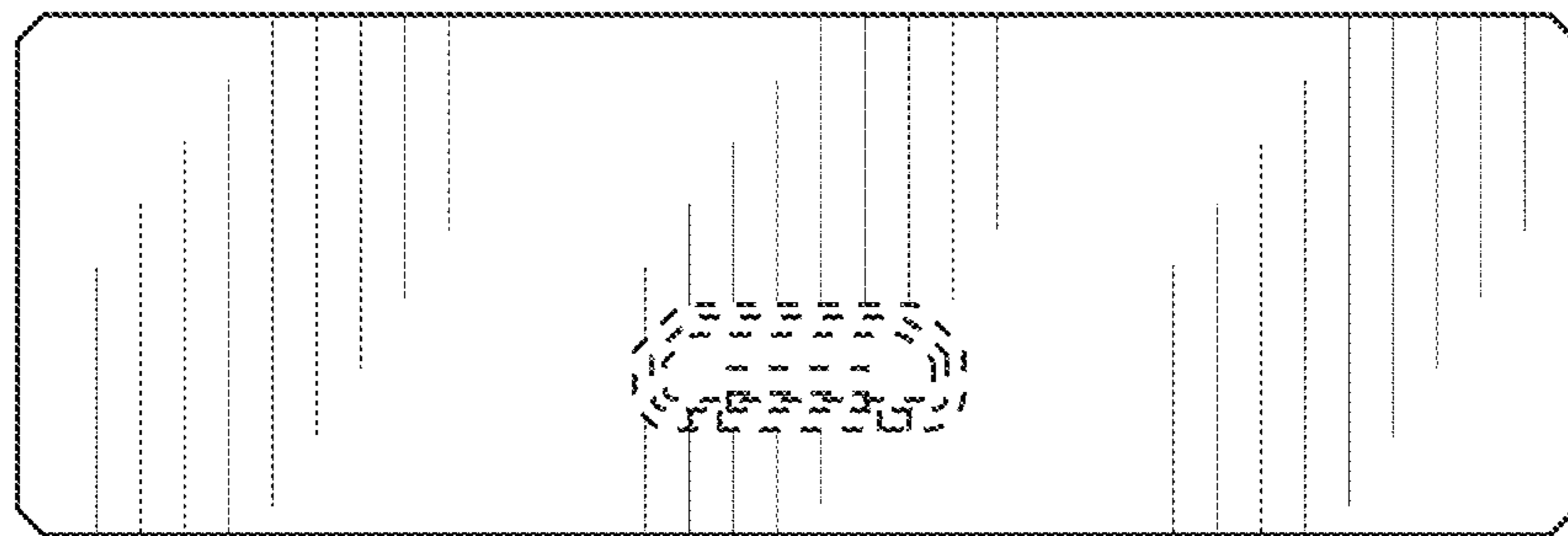


FIG. 6

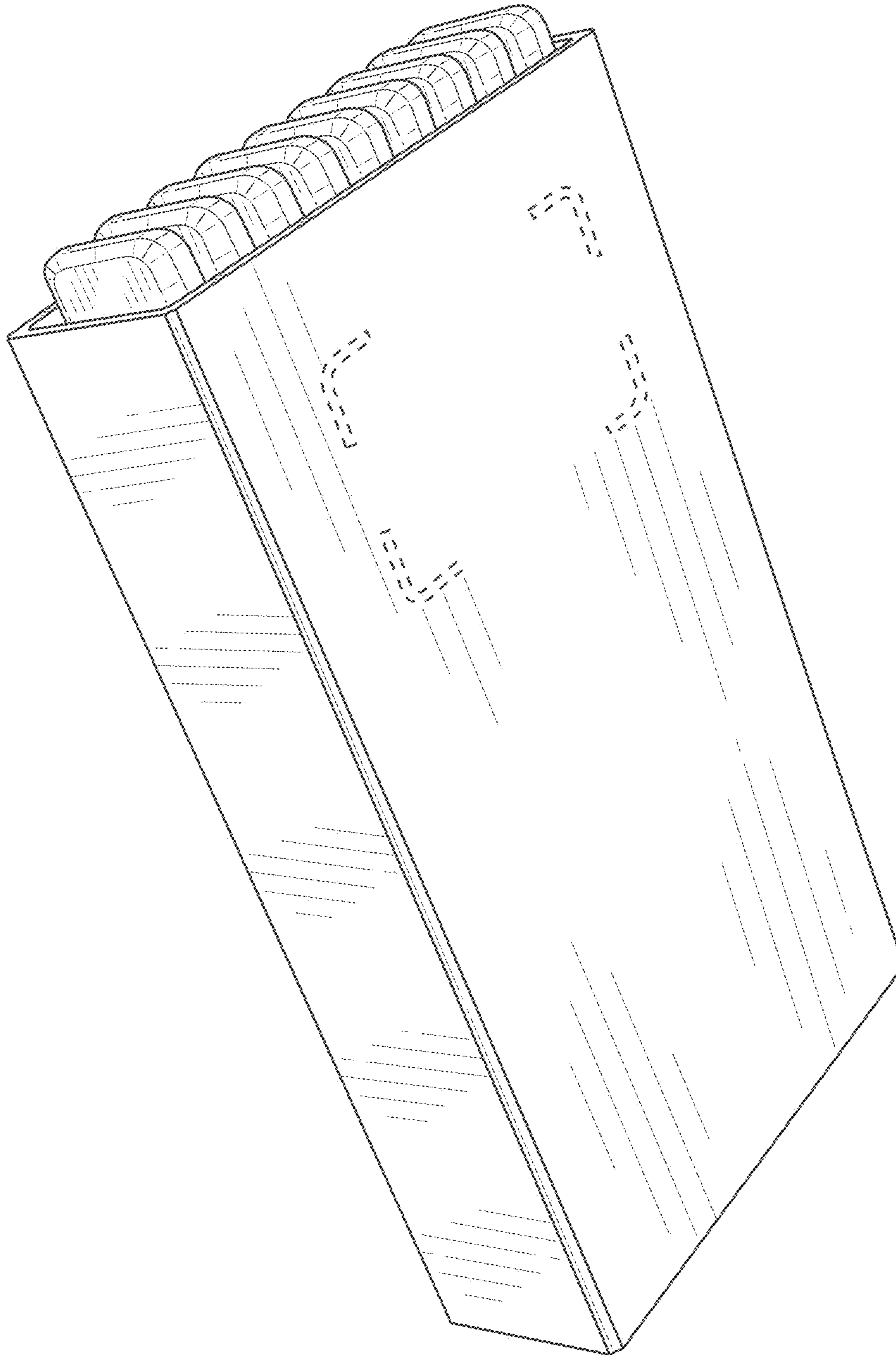


FIG. 7