



US00D894861S

(12) **United States Design Patent**
Root et al.

(10) **Patent No.:** **US D894,861 S**

(45) **Date of Patent:** **** Sep. 1, 2020**

(54) **COMBINED SMALL CELL AND WIRELESS NETWORKING NODE FOR MOUNTING ON A LIGHT POLE**

84/042; H04W 84/045; H04W 84/047;
H04W 4/80; H04M 1/72522; H04M
1/72525

See application file for complete search history.

(71) Applicant: **Ubicquia LLC**, Fort Lauderdale, FL (US)

(56) **References Cited**

(72) Inventors: **Jeffrey T. Root**, Fort Lauderdale, FL (US); **Ian B. Aaron**, Fort Lauderdale, FL (US); **Joerg Christian Lehnich**, Hamburg (DE); **Ronald B. Zimmerman, III**, Fort Lauderdale, FL (US); **Steve Paul Wines**, Marlow (GB)

U.S. PATENT DOCUMENTS

D237,369 S * 10/1975 Lowndes D10/114.8
D440,890 S * 4/2001 Warner D10/65
D462,675 S * 9/2002 Kusz D14/140.6
D493,447 S * 7/2004 Noro D14/230
D550,659 S * 9/2007 Noro D14/230

(Continued)

(73) Assignee: **UBICQUIA LLC**, Fort Lauderdale, FL (US)

Primary Examiner — Marie D. Fast Horse

(74) *Attorney, Agent, or Firm* — Seed IP Law Group LLP

(**) Term: **15 Years**

(57) **CLAIM**

The ornamental design for a combined small cell and wireless networking node for mounting on a light pole, as shown and described.

(21) Appl. No.: **29/681,248**

(22) Filed: **Feb. 22, 2019**

DESCRIPTION

(51) **LOC (12) Cl.** **14-03**

(52) **U.S. Cl.**

USPC **D14/140.6**

(58) **Field of Classification Search**

USPC D14/140, 140.1, 140.2, 140.3, 140.4, D14/140.5, 140.6, 142, 155, 168, 230, D14/233, 240, 242, 243, 255, 299, 496, D14/356, 358, 236; D13/123, 152, 154, D13/158, 184, 199, 101, 110, 111, 112, D13/114, 160; D10/46, 75, 103, 104.1, D10/121, 106.1, 106.6, 106.3, 109.1, D10/109.2, 111, 114.1, 114.2, 114.6, D10/114.8; D26/72, 80, 81, 85, 88, 67, D26/68-71, 113, 138

CPC F21S 8/006; F21S 8/08; F21S 8/081; F21S 8/032; F21S 8/085; F21S 8/086; F21S 8/088; F21S 9/03; F21S 9/032; F21S 9/035; F21S 9/037; F21V 23/04; F21V 23/0435; F21W 2131/109; H04W 88/08; H04W 16/24; H04W 8/245; H04W

FIG. 1 is a top-front-side perspective view of a combined small cell and wireless networking node for mounting on a light pole showing an embodiment of our new design.

FIG. 2 is a bottom-rear-side perspective view thereof.

FIG. 3 is a top plan view thereof.

FIG. 4 is a bottom plan view thereof.

FIG. 5 is a left side elevational view thereof.

FIG. 6 is a right side elevational view thereof.

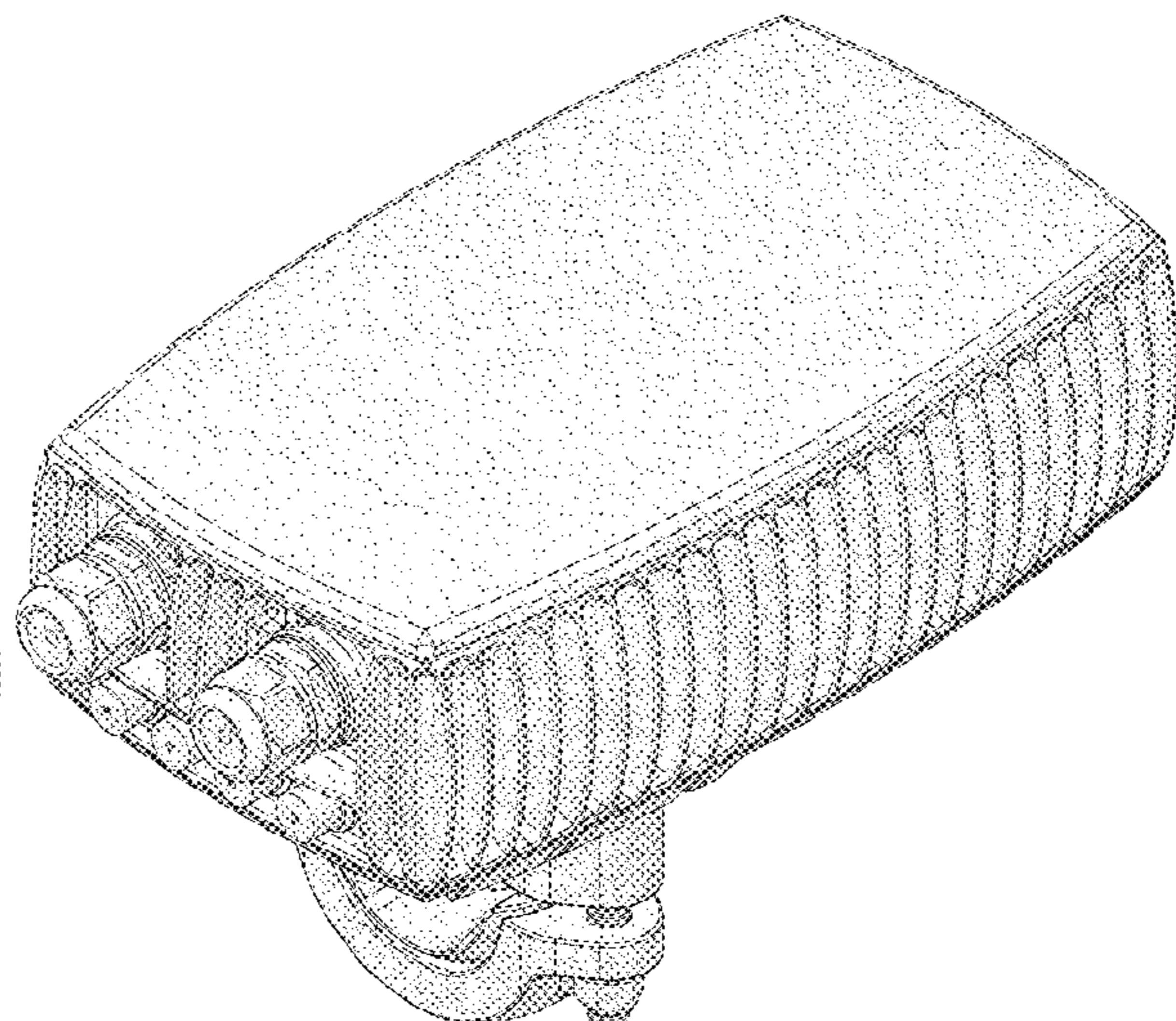
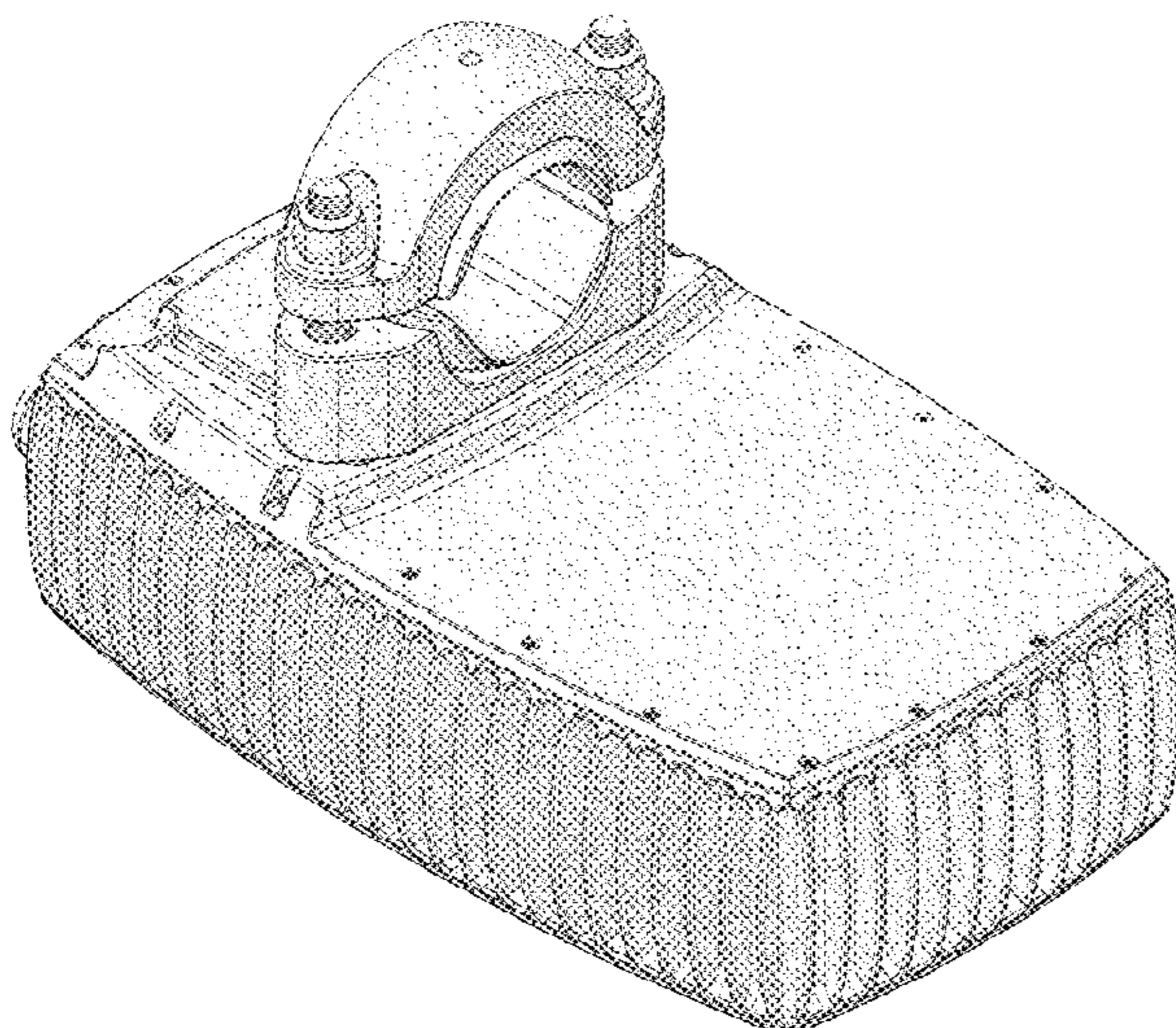
FIG. 7 is a rear elevational view thereof.

FIG. 8 is a front elevational view thereof; and,

FIG. 9 is a perspective view of a combined small cell and wireless networking node for mounting on a light pole shown mounted on an environmental light pole fixture.

The broken lines in FIG. 9 depict environment only and form no part of the claim. Stippling shown in the drawings are intended to represent the approximate three-dimensional contour of the design and are not intended to indicate surface decoration.

1 Claim, 8 Drawing Sheets



(56)

References Cited

U.S. PATENT DOCUMENTS

7,406,298 B2 * 7/2008 Luglio H04B 1/38
340/500
D586,810 S * 2/2009 Hershey D14/358
D587,268 S * 2/2009 Hershey D14/358
D592,213 S * 5/2009 Hershey D14/358
D608,673 S * 1/2010 Arosio D10/111
D622,709 S * 8/2010 Hern D14/230
D674,787 S * 1/2013 Tsuda D14/240
D674,788 S * 1/2013 Tsuda D14/240
D694,740 S * 12/2013 Apostolakis D14/240
D713,092 S * 9/2014 Smith D26/118
D778,906 S * 2/2017 Grubel D10/101
10,312,650 B2 * 6/2019 Siacotos H01R 33/96
D867,319 S * 11/2019 Aaron D14/140.6
D867,320 S * 11/2019 Aaron D14/140.6
D867,321 S * 11/2019 Zimmerman, III D14/140.6
D868,015 S * 11/2019 Zimmerman, III D14/140.6
D868,016 S * 11/2019 Zimmerman, III D14/140.6
D868,017 S * 11/2019 Aaron D14/140.6
D868,722 S * 12/2019 Zimmerman, III D14/140.6
D871,361 S * 12/2019 Aaron D14/140.6
D875,705 S * 2/2020 Zimmerman, III D14/140.6
2018/0045388 A1 * 2/2018 McDowell A61L 27/16
2018/0172243 A1 * 6/2018 Clynne H05B 47/11
2018/0292056 A1 * 10/2018 Kim F21S 8/086
2020/0083883 A1 * 3/2020 Hutson H02M 1/081
2020/0088390 A1 * 3/2020 Stegeman F21V 23/008

* cited by examiner

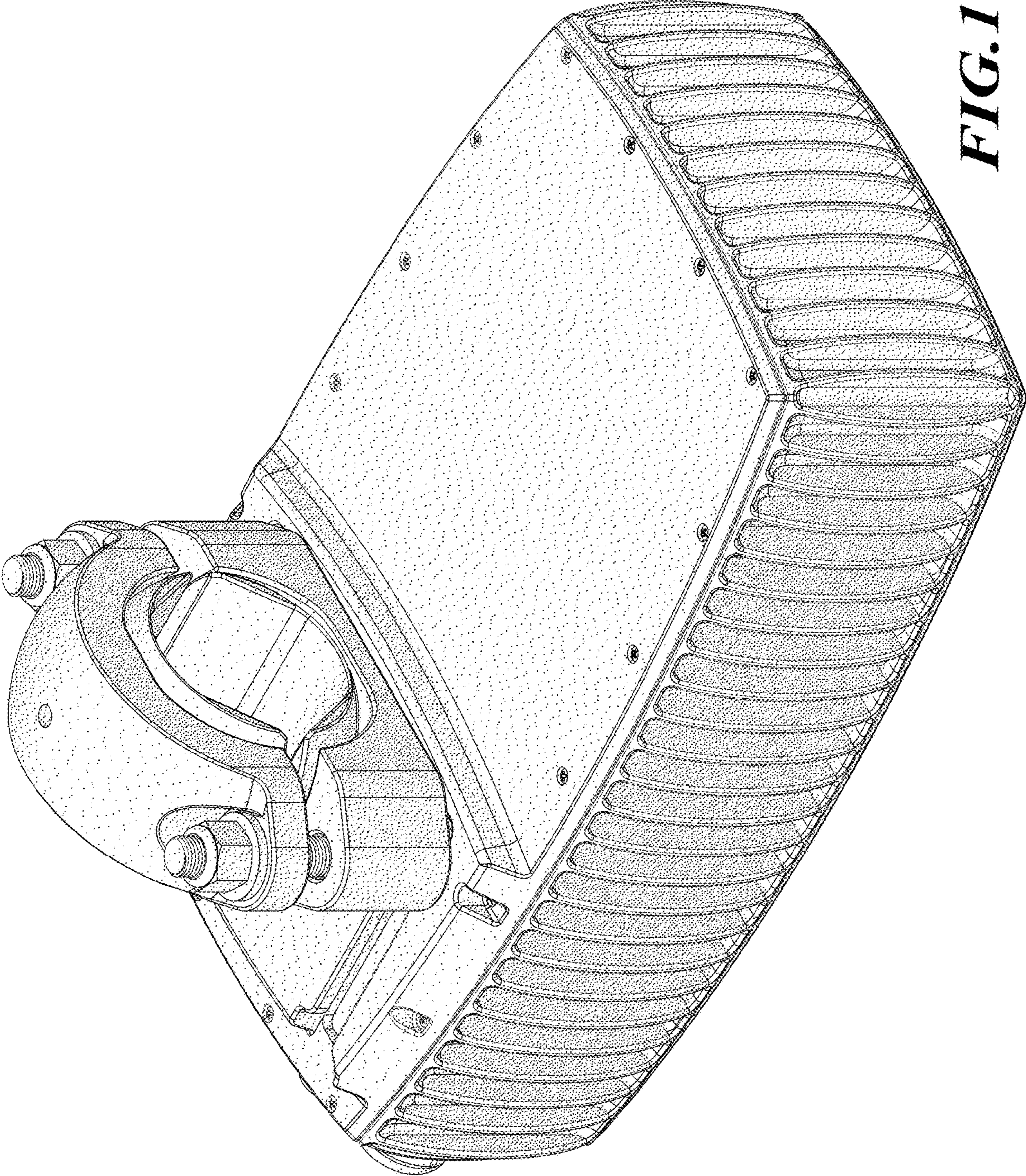


FIG. 1

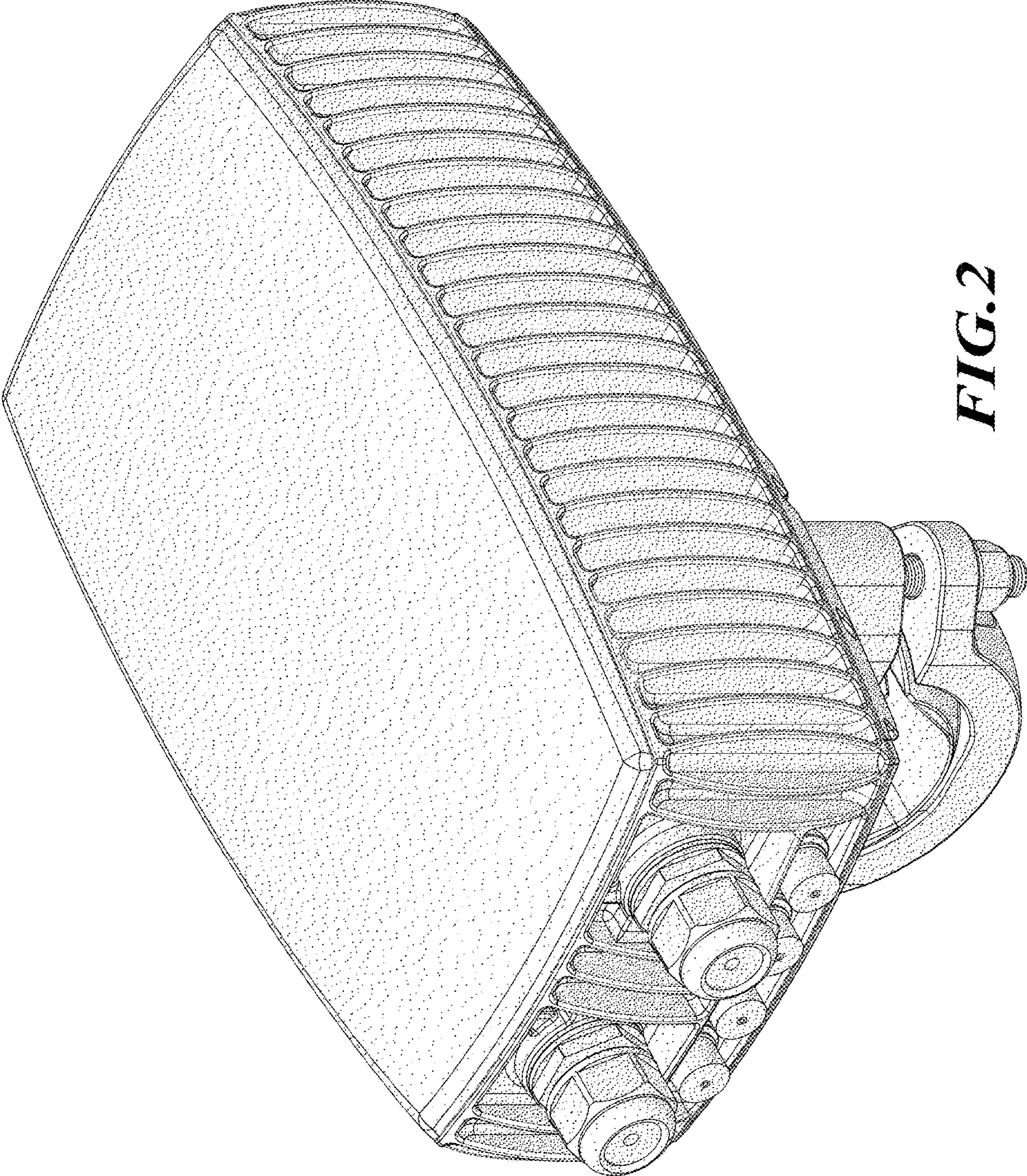


FIG. 2

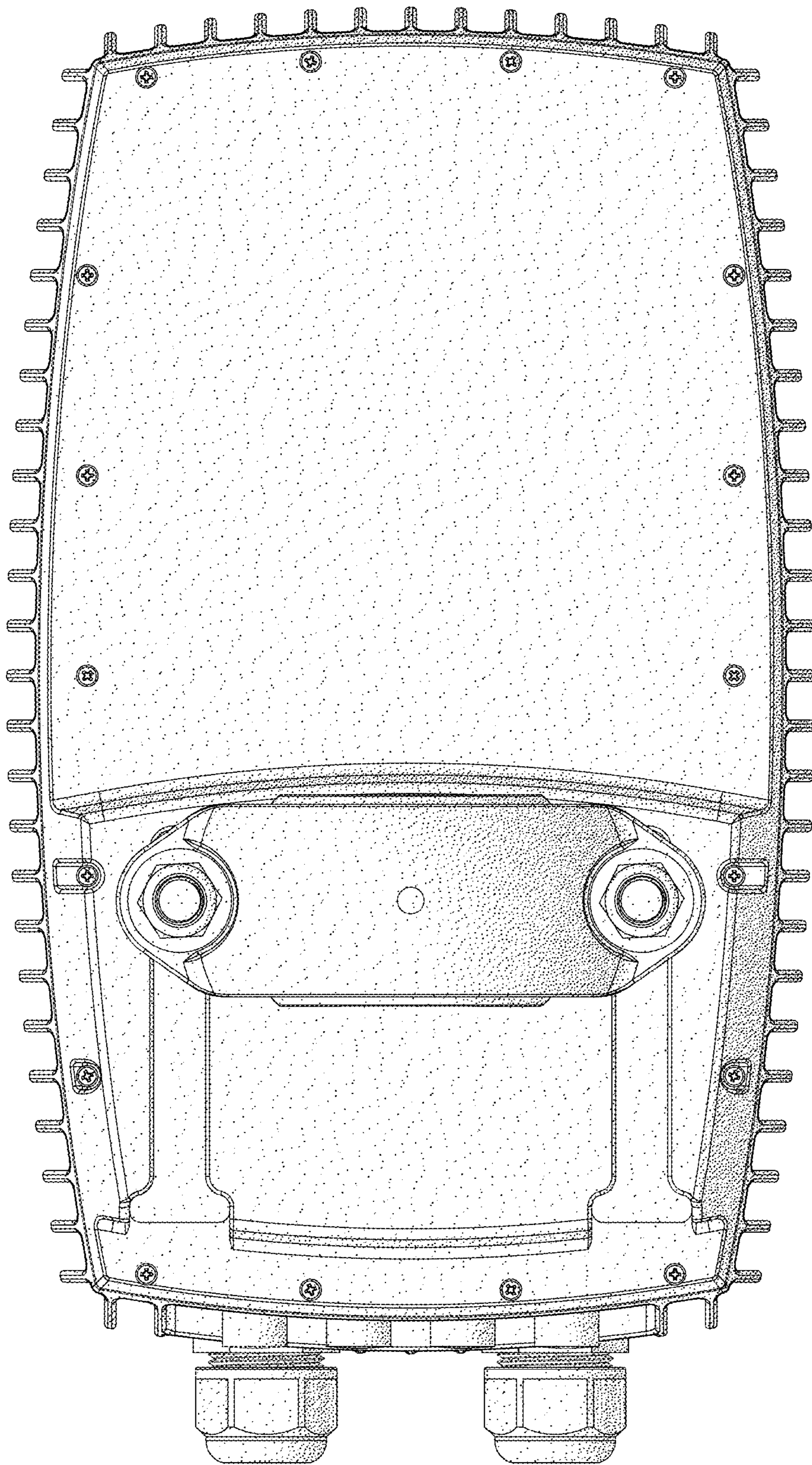


FIG. 3

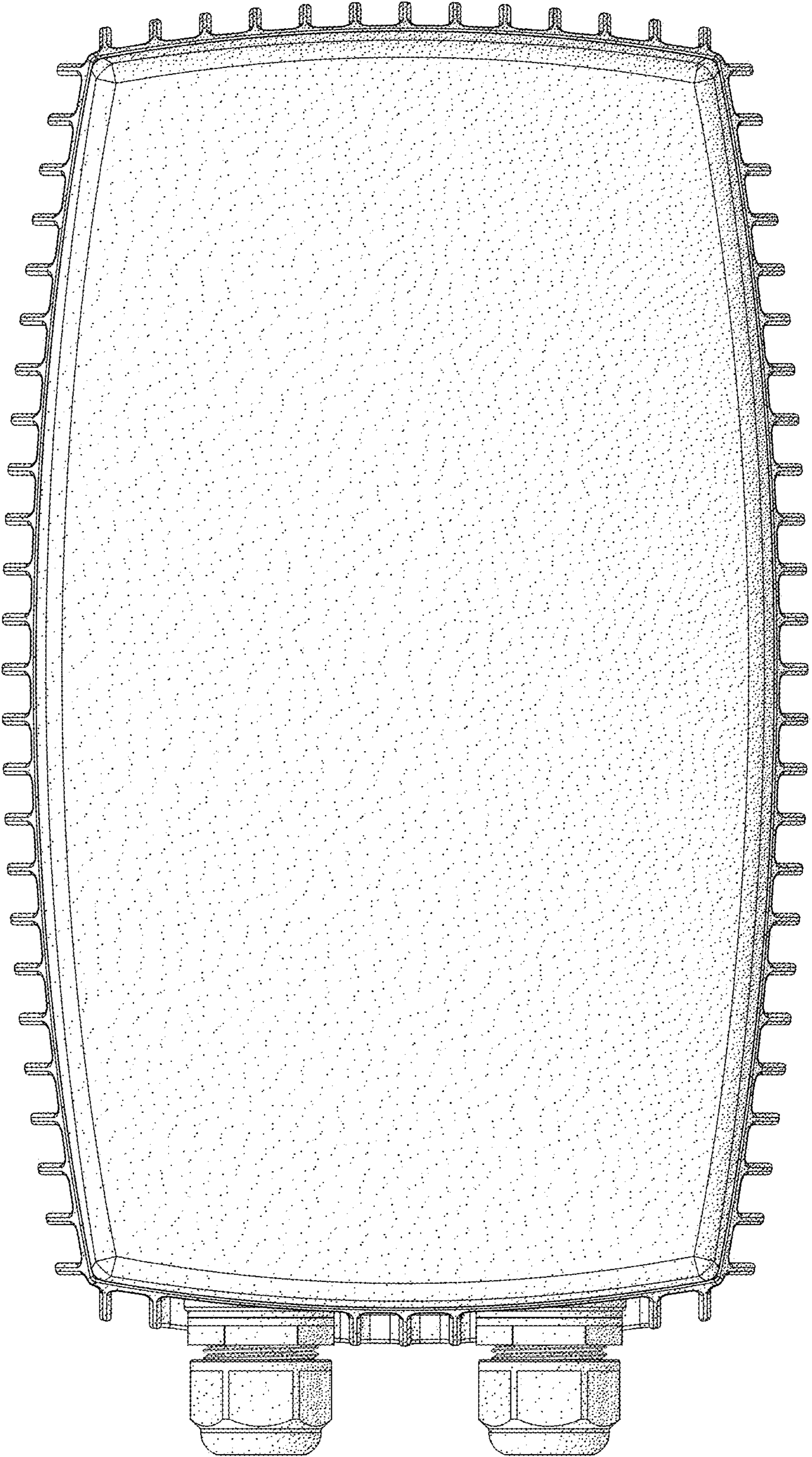


FIG.4

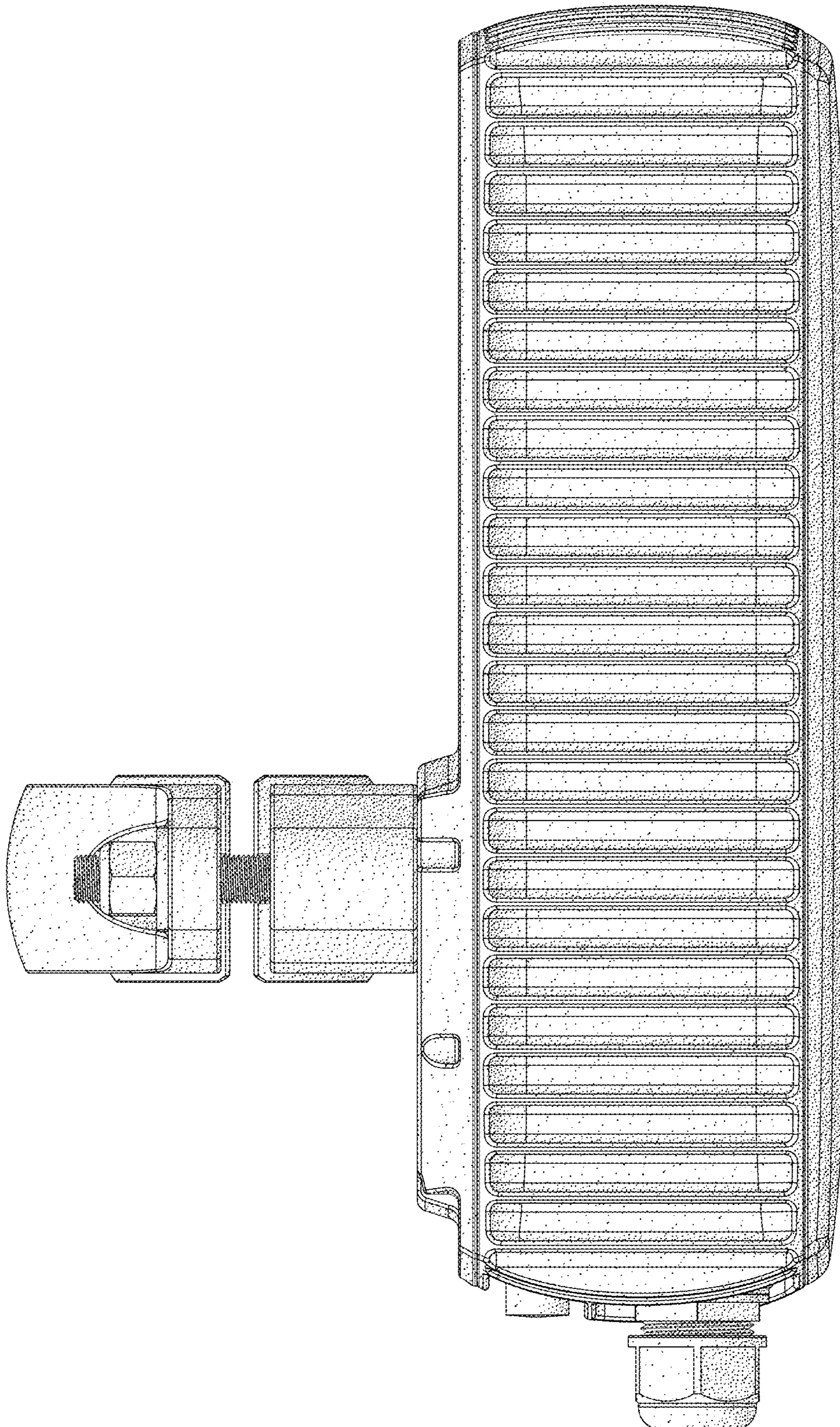


FIG. 5

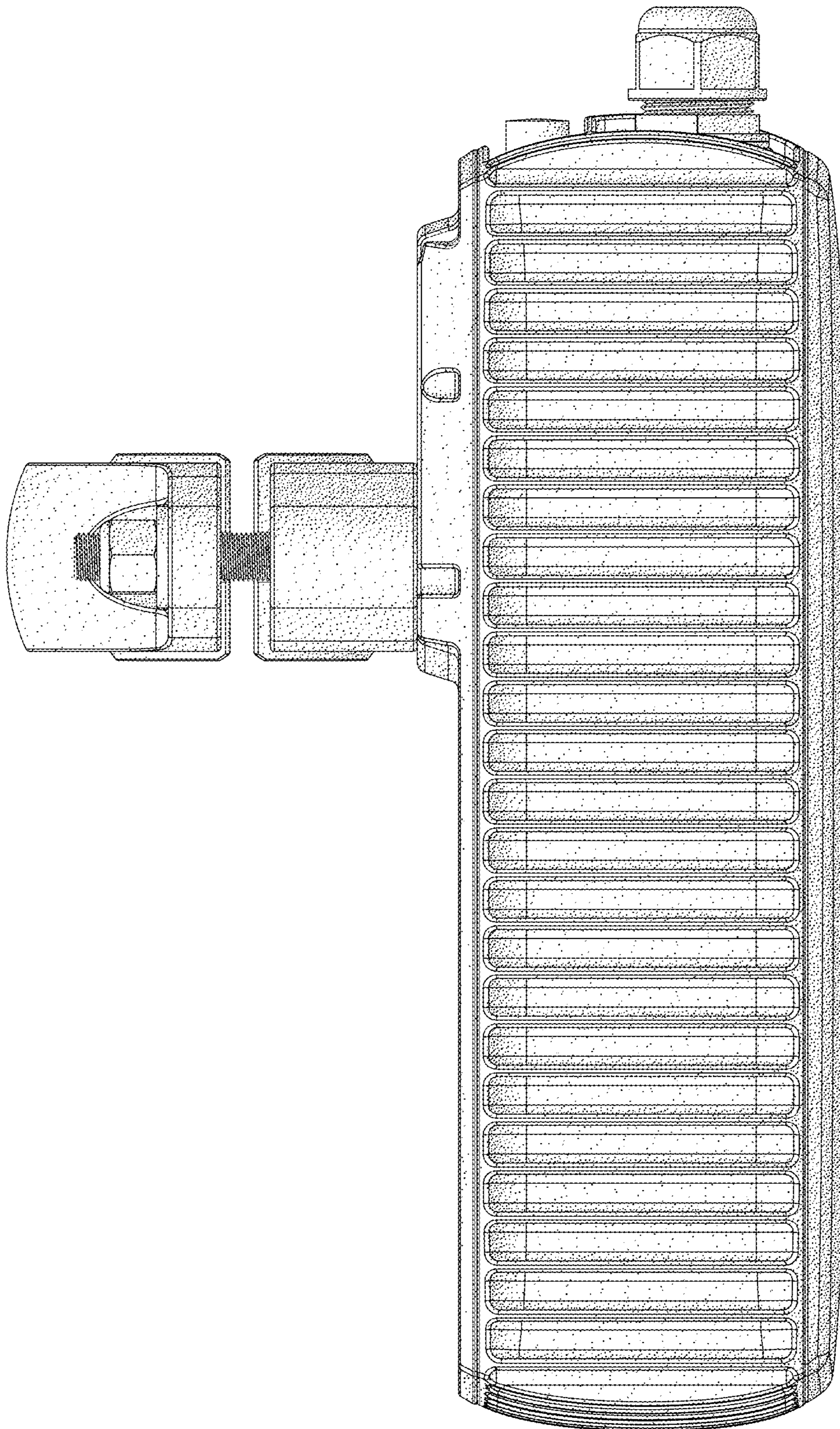


FIG. 6

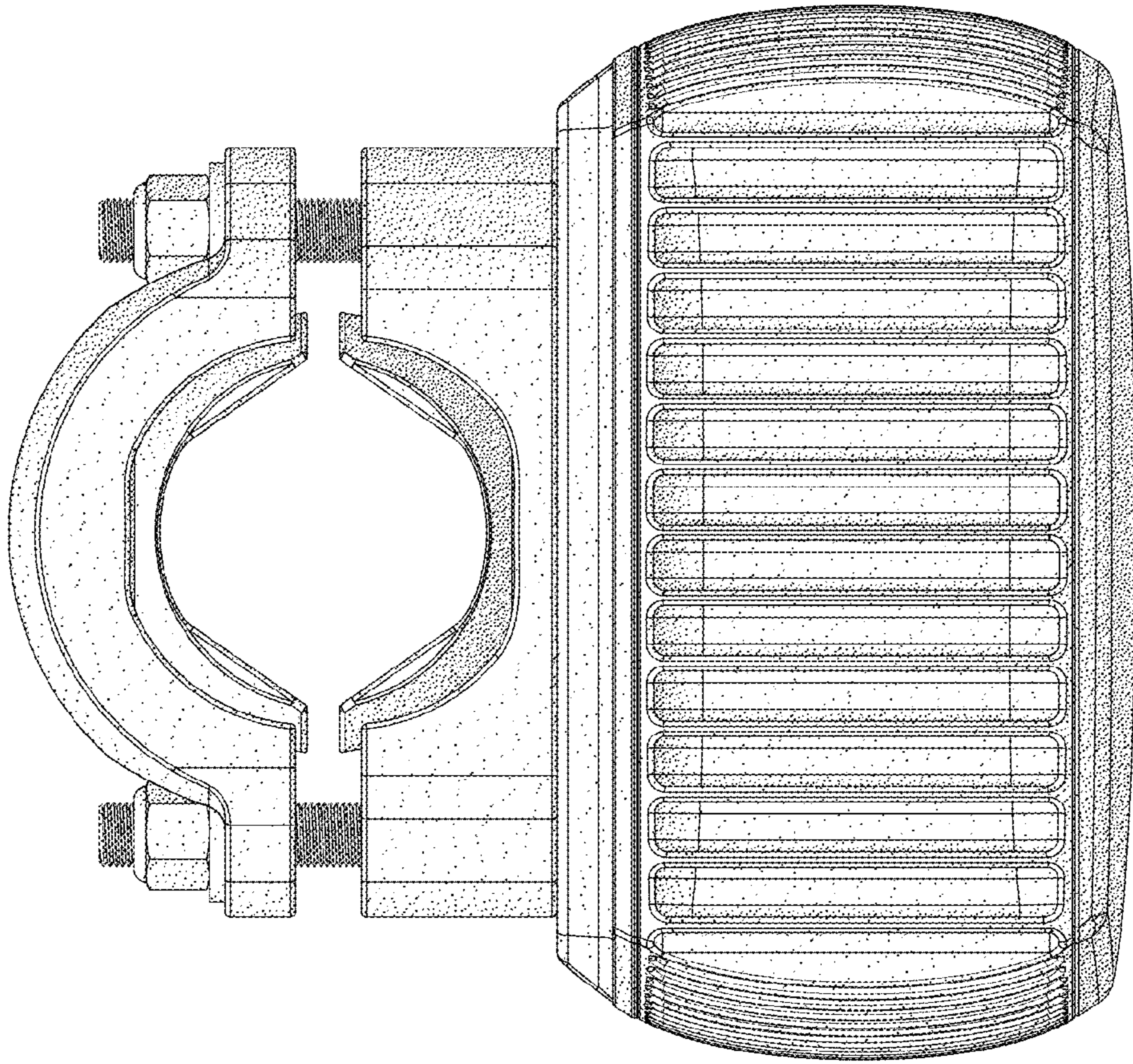


FIG. 8

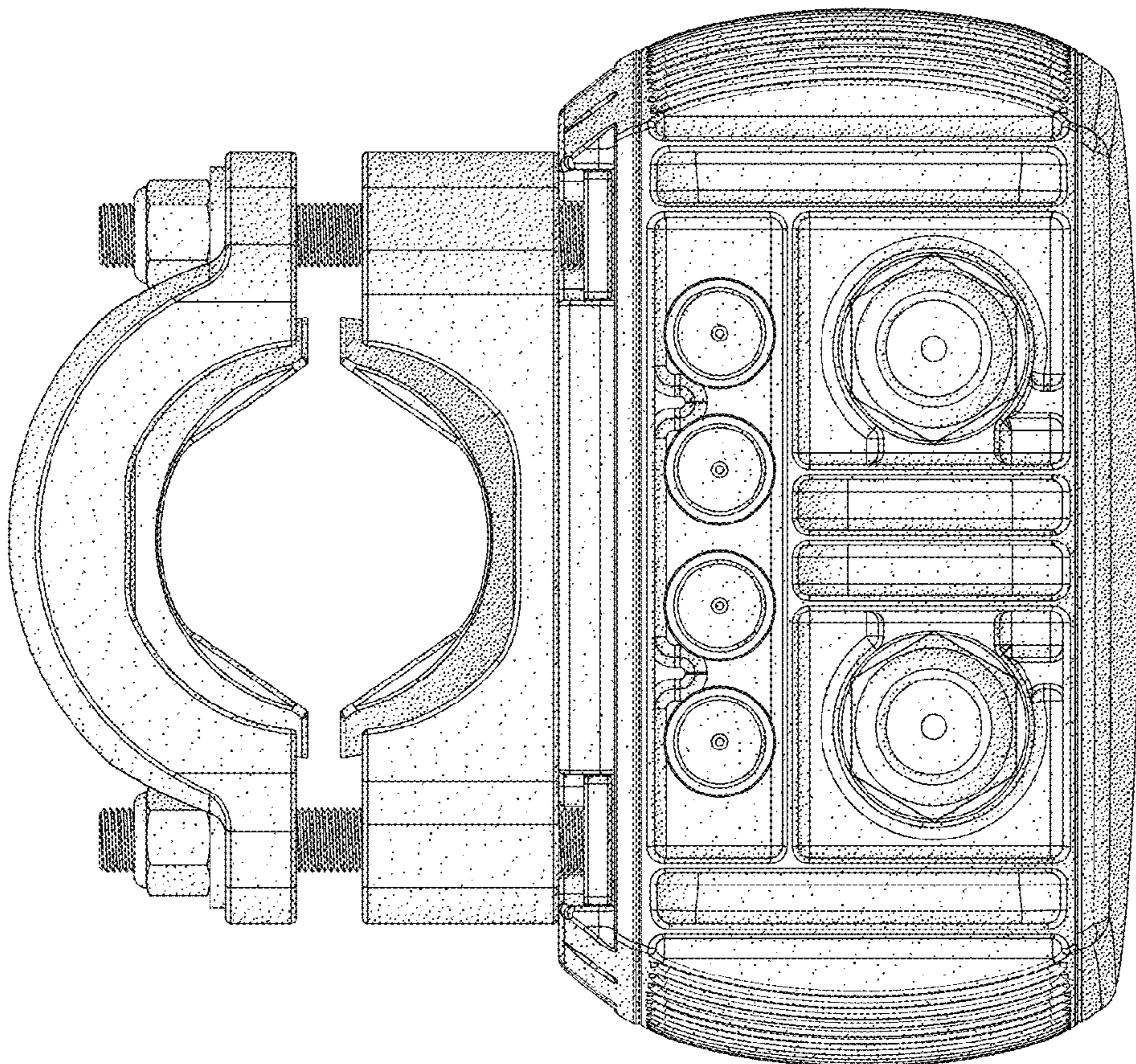


FIG. 7

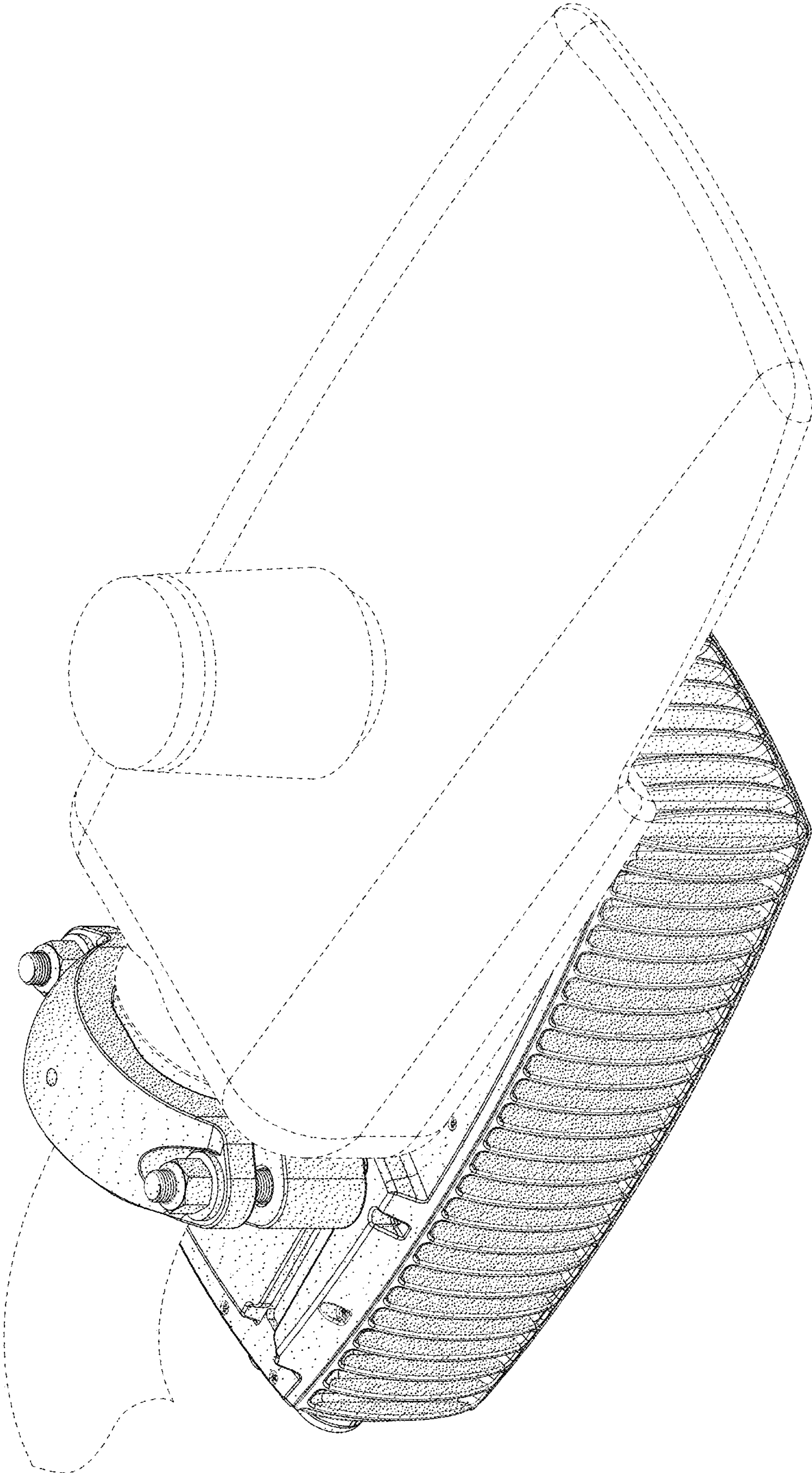


FIG. 9