



US00D894860S

(12) **United States Design Patent**
Root et al.

(10) **Patent No.:** **US D894,860 S**

(45) **Date of Patent:** **** Sep. 1, 2020**

(54) **COMBINED SMALL CELL AND WIRELESS NETWORKING NODE FOR MOUNTING ON A LIGHT POLE**

(71) Applicant: **Ubiquia LLC**, Fort Lauderdale, FL (US)

(72) Inventors: **Jeffrey T. Root**, Fort Lauderdale, FL (US); **Ian B. Aaron**, Fort Lauderdale, FL (US); **Joerg Christian Lehnich**, Hamburg (DE); **Ronald B. Zimmerman, III**, Fort Lauderdale, FL (US); **Steve Paul Wines**, Marlow (GB)

(73) Assignee: **UBICQUIA LLC**, Fort Lauderdale, FL (US)

(**) Term: **15 Years**

(21) Appl. No.: **29/681,245**

(22) Filed: **Feb. 22, 2019**

(51) **LOC (12) Cl.** **14-03**

(52) **U.S. Cl.**
USPC **D14/140.6**

(58) **Field of Classification Search**
USPC D14/140, 140.1, 140.2, 140.3, 140.4, D14/140.5, 140.6, 142, 155, 168, 230, D14/233, 240, 242, 243, 255, 299, 496, D14/356, 358, 236; D13/123, 152, 154, D13/158, 184, 199, 101, 110, 111, 112, D13/114, 160; D10/46, 75, 103, 104.1, D10/121, 106.1, 106.6, 106.3, 109.1, D10/109.2, 111, 114.1, 114.2, 114.6, D10/114.8; D26/72, 80, 81, 85, 88, 67, D26/68-71, 113, 138
CPC F21S 8/006; F21S 8/08; F21S 8/081; F21S 8/032; F21S 8/085; F21S 8/086; F21S 8/088; F21S 9/03; F21S 9/032; F21S 9/035; F21S 9/037; F21V 23/04; F21V 23/0435; F21W 2131/109; H04W 88/08; H04W 16/24; H04W 8/245; H04W 84/042; H04W

(Continued)

(56) **References Cited**

U.S. PATENT DOCUMENTS

D237,369 S * 10/1975 Lowndes D10/114.8
D440,890 S * 4/2001 Warner D10/65

(Continued)

Primary Examiner — Marie D. Fast Horse

(74) *Attorney, Agent, or Firm* — Seed IP Law Group LLP

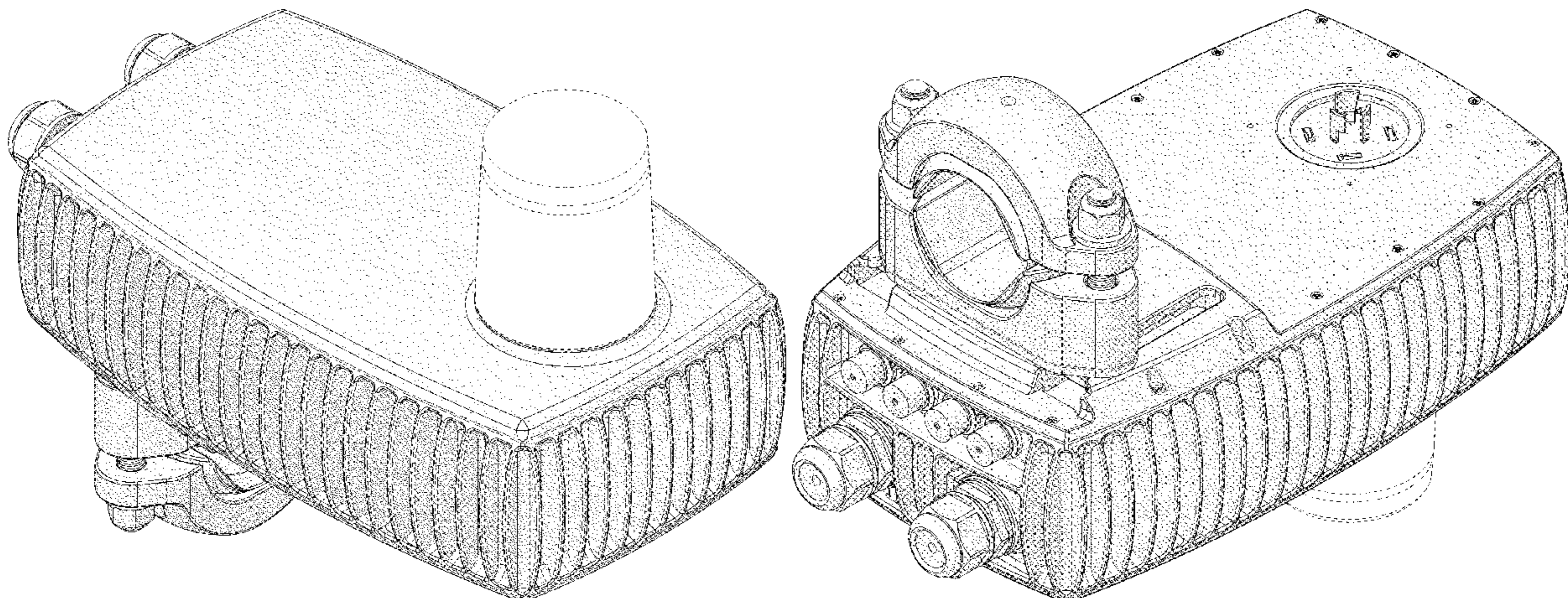
(57) **CLAIM**

The ornamental design for a combined small cell and wireless networking node for mounting on a light pole, as shown and described.

DESCRIPTION

FIG. 1 is a bottom-rear-side perspective view of a combined small cell and wireless networking node for mounting on a light pole showing a second embodiment of our new design. FIG. 2 is a bottom-rear-side perspective view thereof. FIG. 3 is a top plan view thereof. FIG. 4 is a bottom plan view thereof. FIG. 5 is a left side elevational view thereof. FIG. 6 is a right side elevational view thereof. FIG. 7 is a rear elevational view thereof. FIG. 8 is a front elevational view thereof; and, FIG. 9 is a perspective view of a combined small cell and wireless networking node for mounting on a light pole shown mounted on an environmental light pole fixture. The broken lines in FIG. 9 showing the light pole depict environment only and form no part of the claim, while all other broken lines showing the light sensor depict portions of the combined small cell and wireless networking node for mounting on a light pole that from no part of the claimed design. Stippling shown in the drawings are intended to represent the approximate three-dimensional contour of the design and are not intended to indicate surface decoration.

1 Claim, 8 Drawing Sheets



US D894,860 S

Page 2

- (58) **Field of Classification Search**
CPC ... 84/045; H04W 84/047; H04W 4/80; H04M
1/72522; H04M 1/72525
See application file for complete search history.

(56) **References Cited**

U.S. PATENT DOCUMENTS

D462,675 S * 9/2002 Kusz D14/140.6
D493,447 S * 7/2004 Noro D14/230
D550,659 S * 9/2007 Noro D14/230
7,406,298 B2 * 7/2008 Luglio H04B 1/38
340/500
D586,810 S * 2/2009 Hershey D14/358
D587,268 S * 2/2009 Hershey D14/358
D592,213 S * 5/2009 Hershey D14/358
D608,673 S * 1/2010 Arosio D10/111
D622,709 S * 8/2010 Hern D14/230
D674,787 S * 1/2013 Tsuda D14/240

D674,788 S * 1/2013 Tsuda D14/240
D694,740 S * 12/2013 Apostolakis D14/240
D713,092 S * 9/2014 Smith D26/118
D778,906 S * 2/2017 Grubel D10/101
10,312,650 B2 * 6/2019 Siacotos H01R 33/96
D867,319 S * 11/2019 Aaron D14/140.6
D867,320 S * 11/2019 Aaron D14/140.6
D867,321 S * 11/2019 Zimmerman, III D14/140.6
D868,015 S * 11/2019 Zimmerman, III D14/140.6
D868,016 S * 11/2019 Zimmerman, III D14/140.6
D868,017 S * 11/2019 Aaron D14/140.6
D868,722 S * 12/2019 Zimmerman, III D14/140.6
D871,361 S * 12/2019 Aaron D14/140.6
D875,705 S * 2/2020 Zimmerman, III D14/140.6
2018/0045388 A1 * 2/2018 McDowell A61L 27/16
2018/0172243 A1 * 6/2018 Clynne H05B 47/11
2018/0292056 A1 * 10/2018 Kim F21S 8/086
2020/0083883 A1 * 3/2020 Hutson H02M 1/081
2020/0088390 A1 * 3/2020 Stegeman F21V 23/008

* cited by examiner

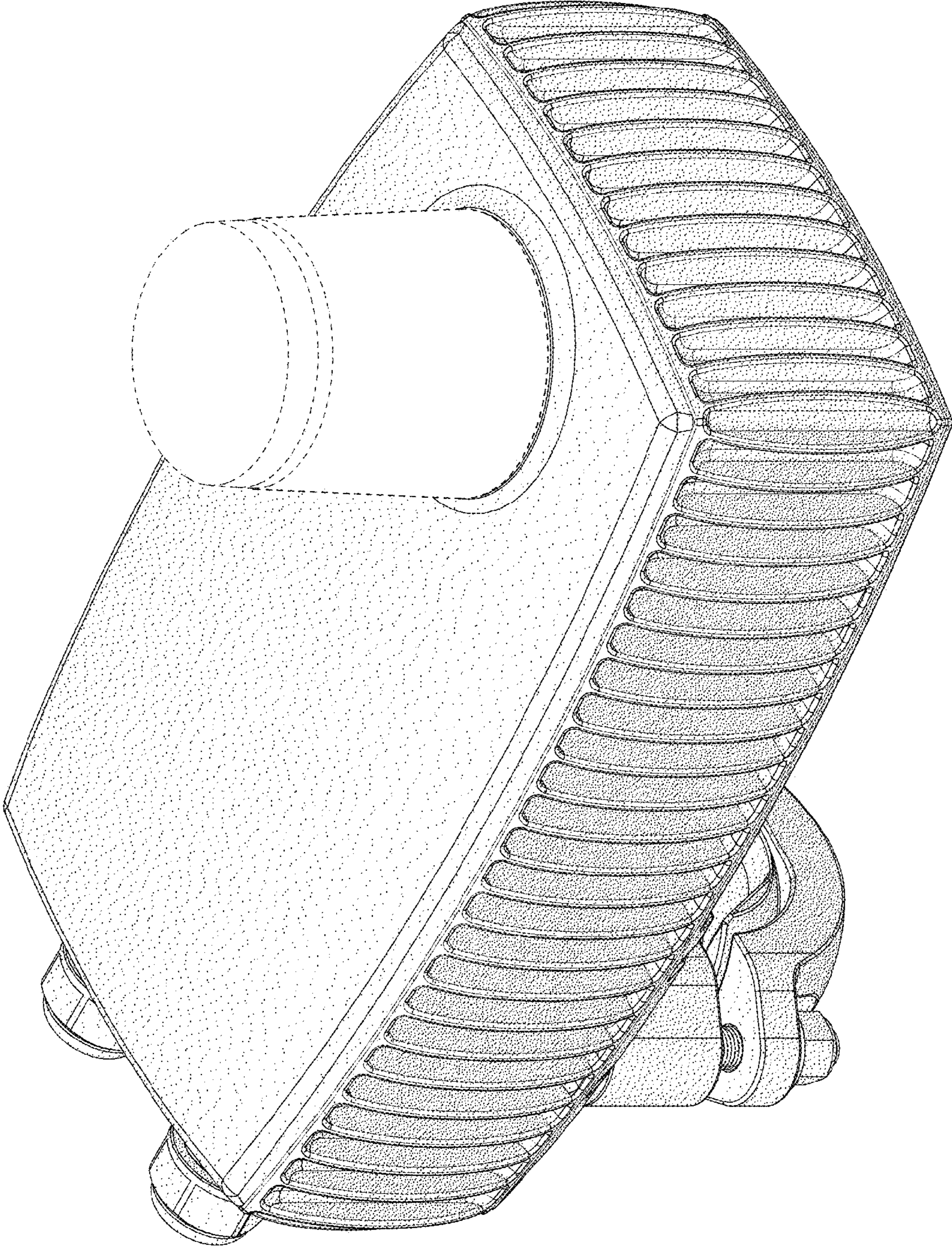


FIG. 1

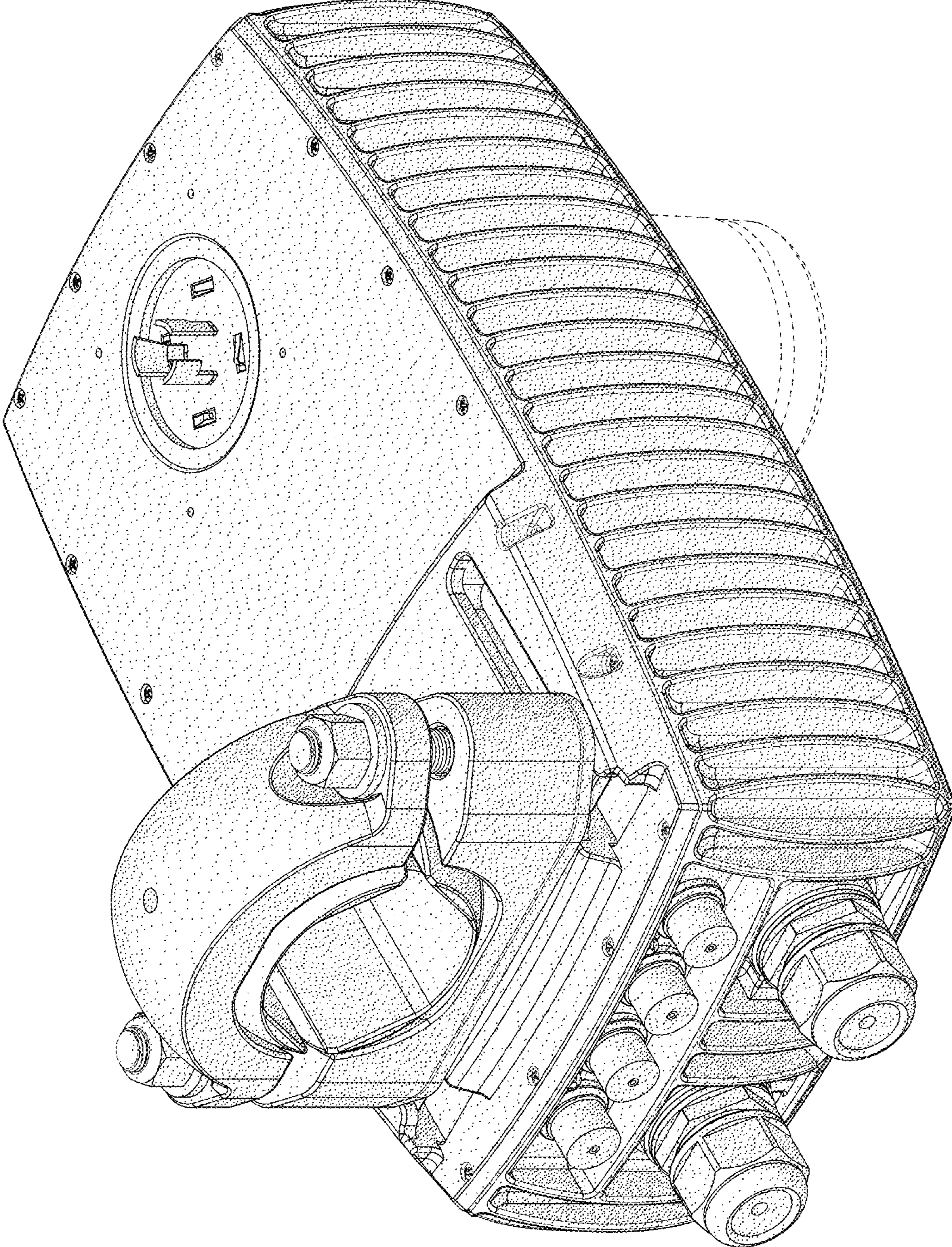


FIG. 2

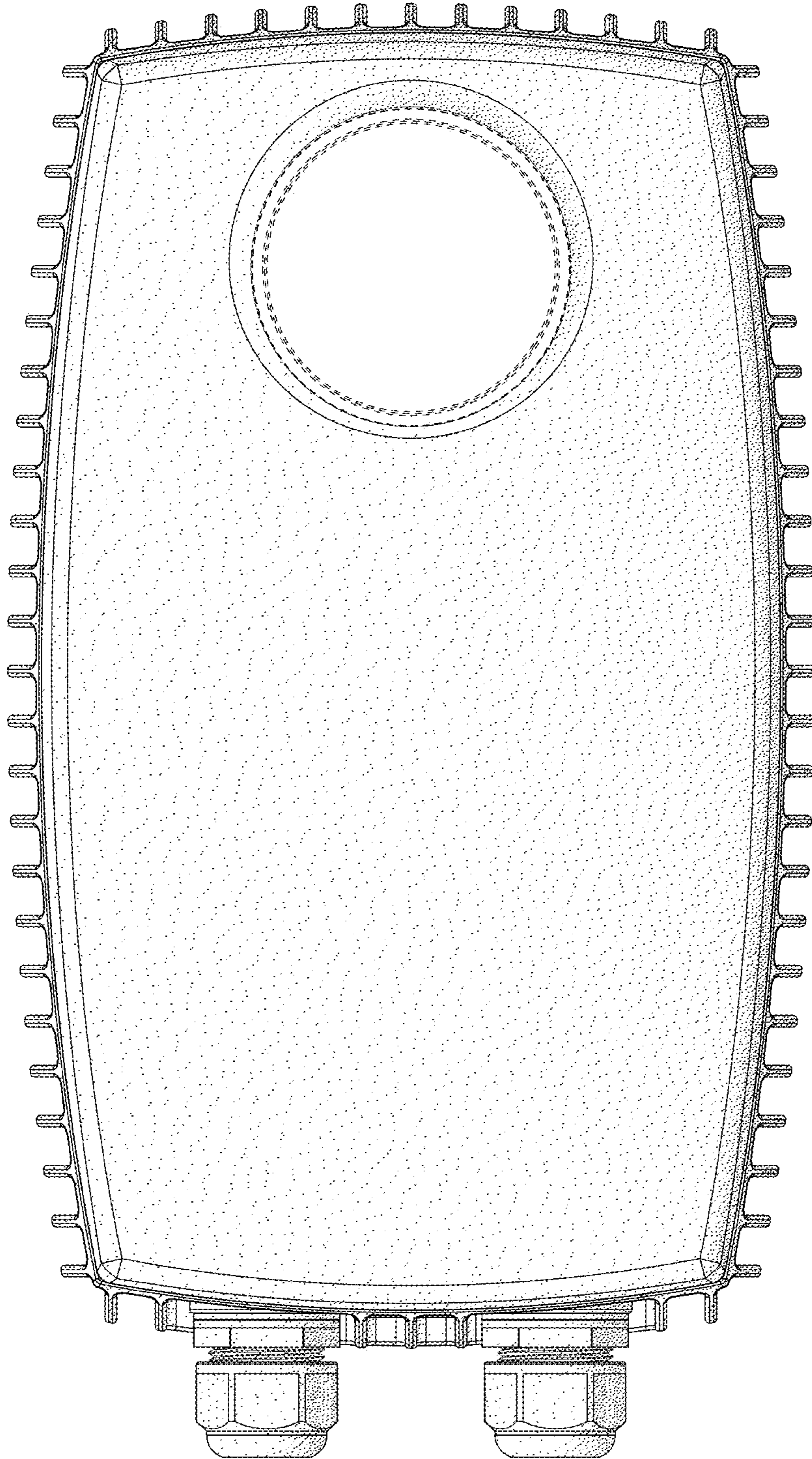


FIG. 3

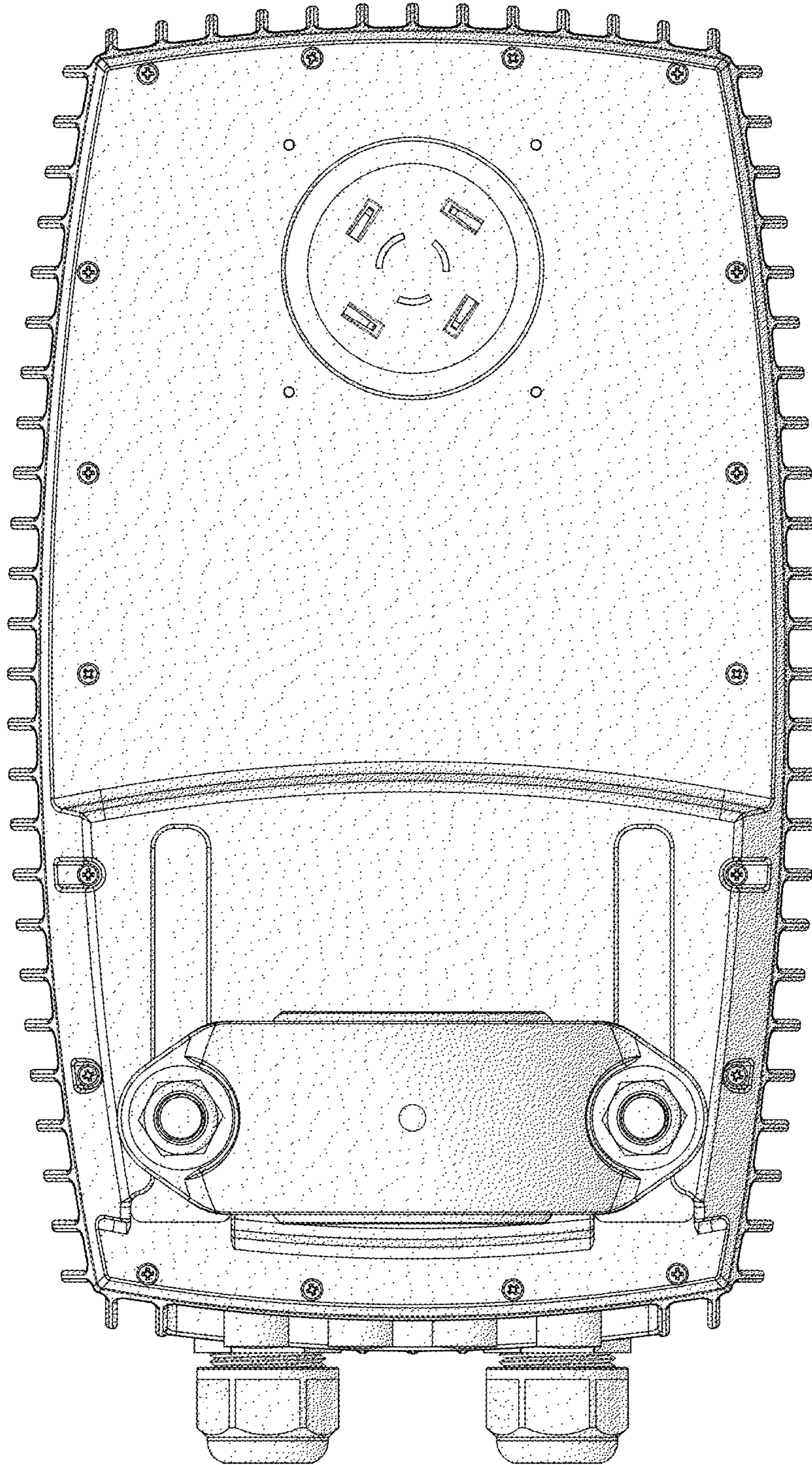


FIG. 4

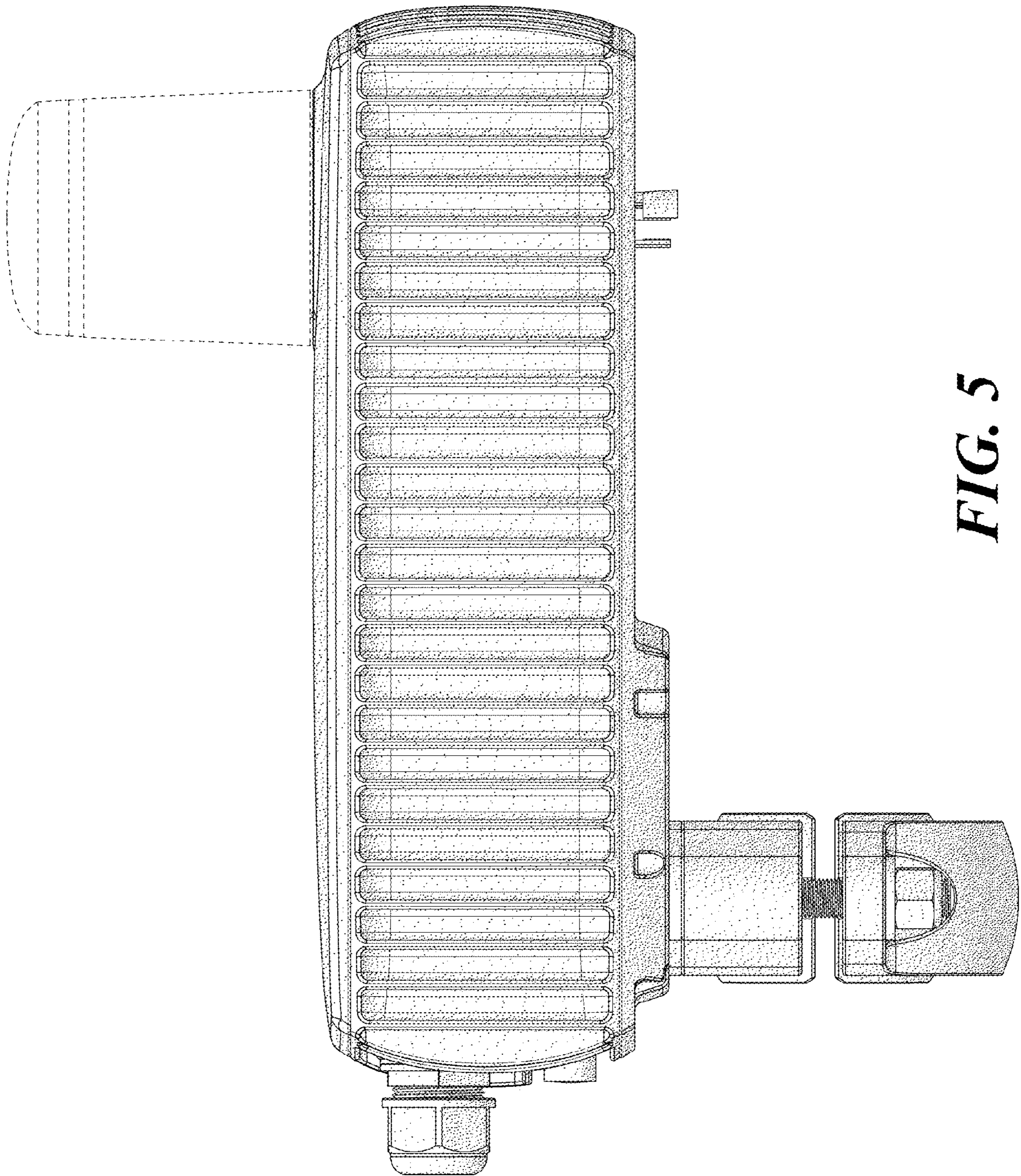


FIG. 5

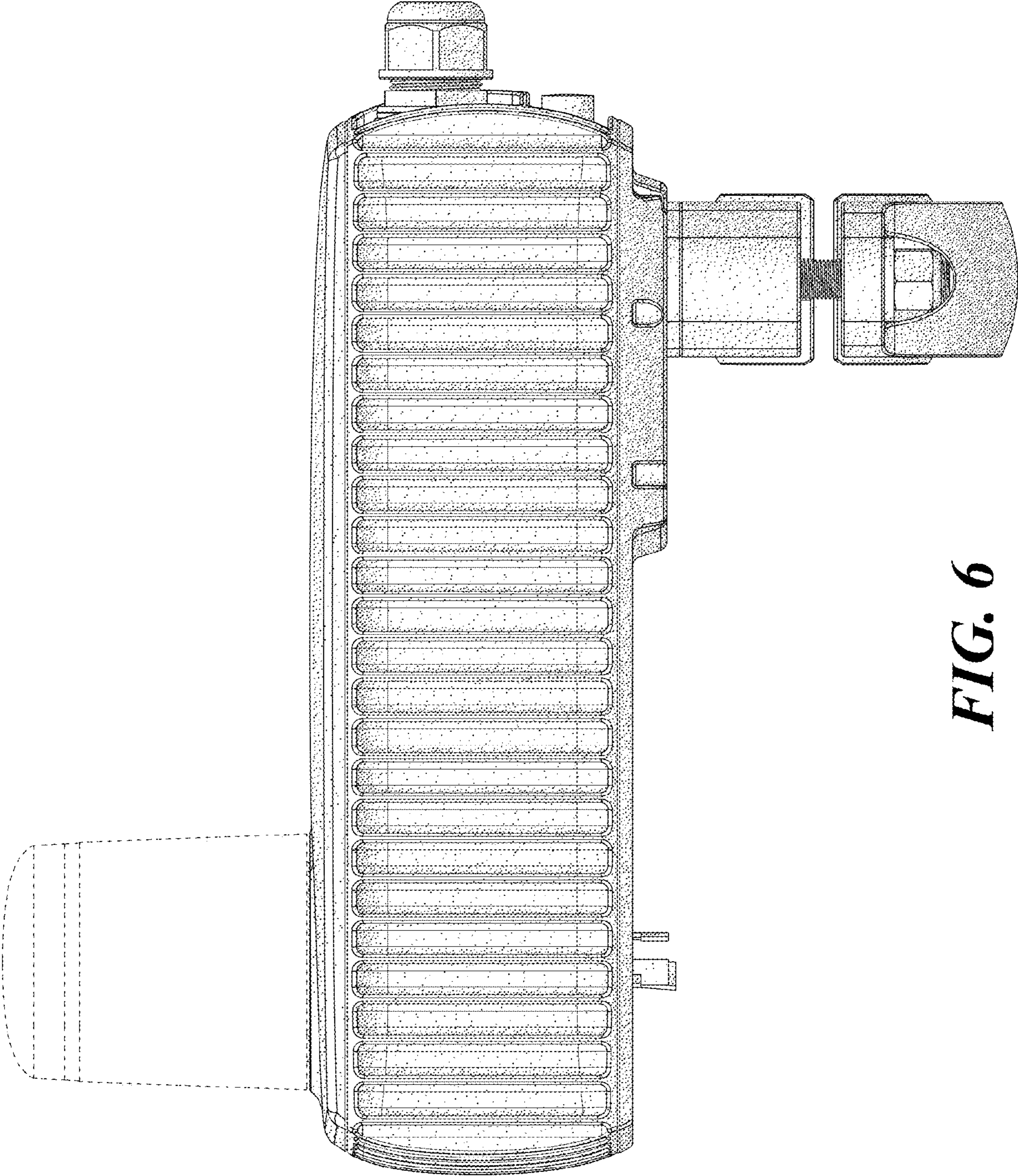


FIG. 6

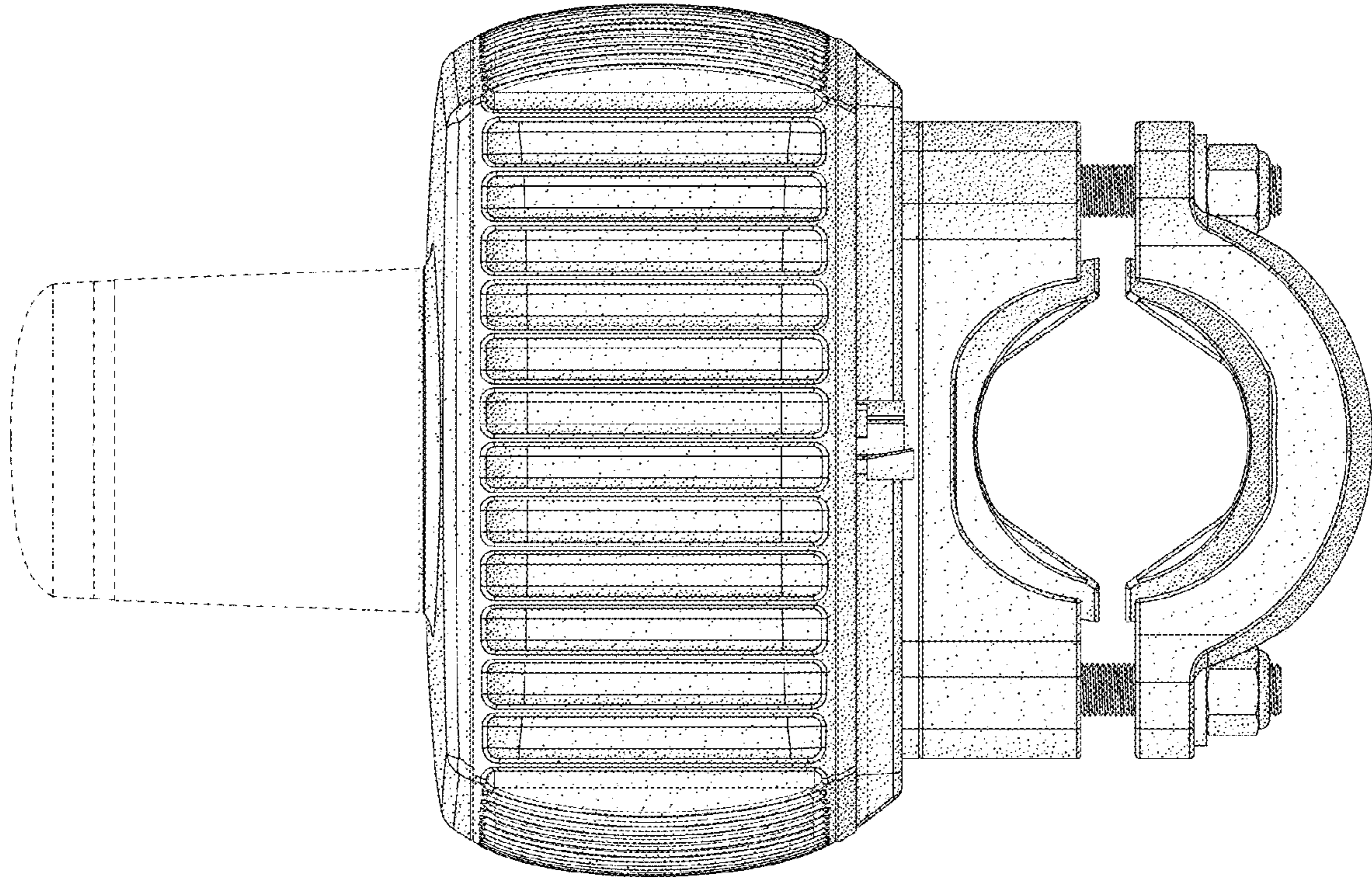


FIG. 8

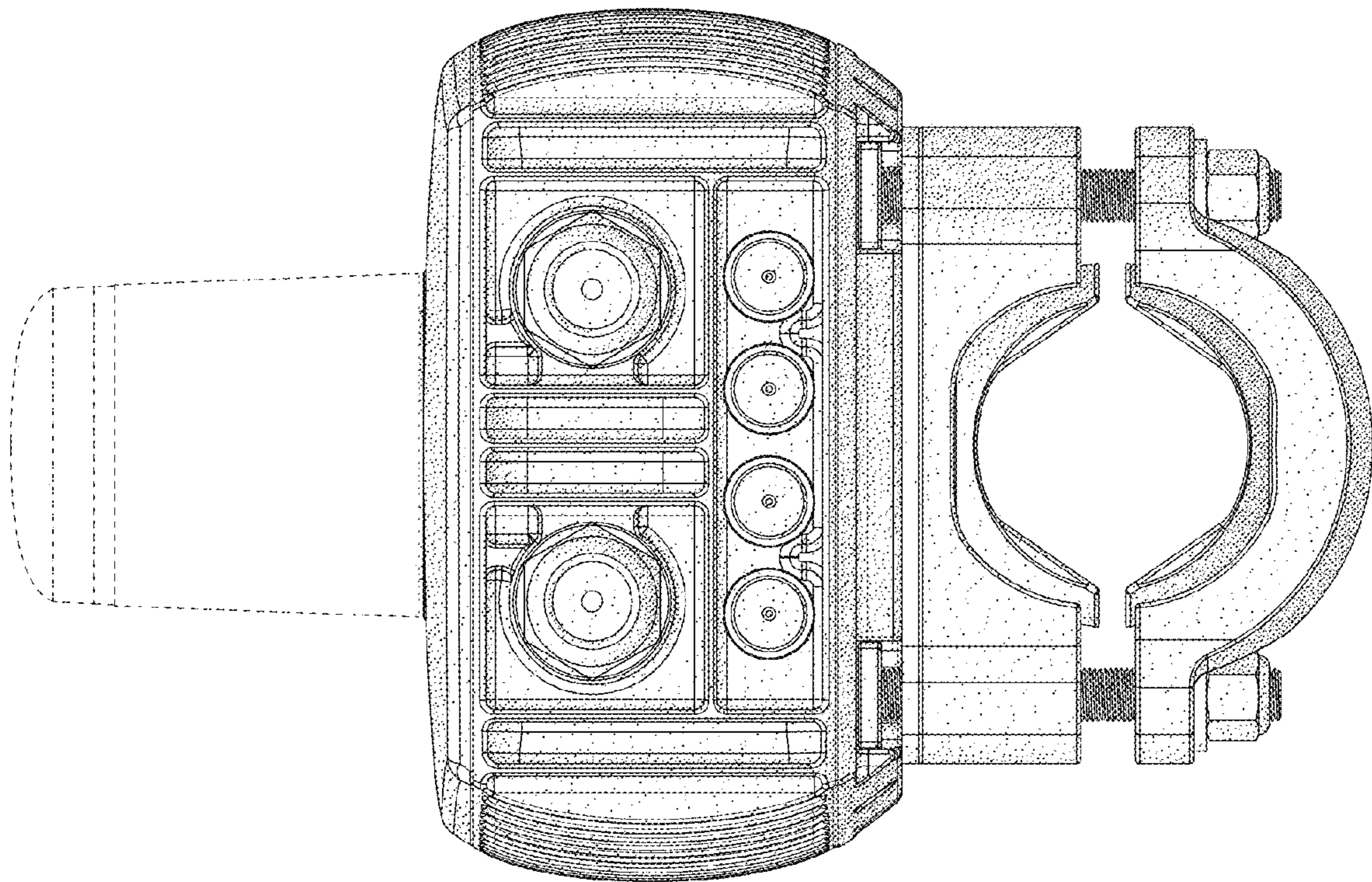


FIG. 7

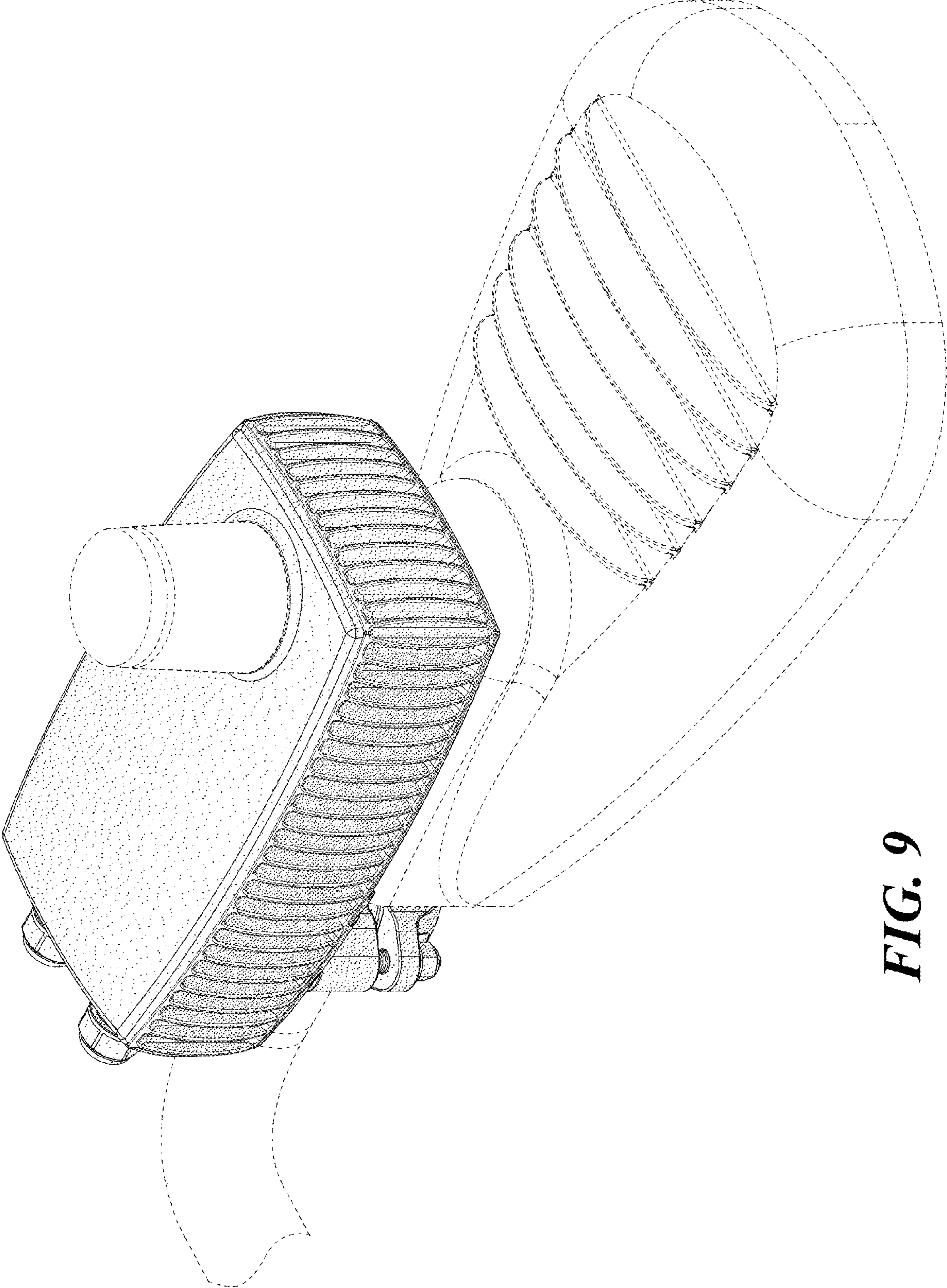


FIG. 9