



US00D894853S

(12) **United States Design Patent** (10) **Patent No.:** **US D894,853 S**
Lee et al. (45) **Date of Patent:** **** *Sep. 1, 2020**

(54) **LIGHT EMITTING DIODE PACKAGE**

F21S 43/14; F21S 43/145; F21S 43/15;
F21S 43/20

(71) Applicant: **SEOUL SEMICONDUCTOR CO., LTD.**, Gyeonggi-do (KR)

See application file for complete search history.

(72) Inventors: **MyungHee Lee**, Ansan-si (KR);
SeungRi Choi, Ansan-si (KR); **SeMin Bang**, Ansan-si (KR)

(56) **References Cited**

U.S. PATENT DOCUMENTS

(73) Assignee: **Seoul Semiconductor Co., Ltd.**, Ansan-si (KR)

D476,960	S	*	7/2003	Fukasawa	D13/182
D548,704	S	*	8/2007	Wu	D13/180
D565,514	S	*	4/2008	Cho	D13/180
D590,354	S	*	4/2009	Tsuchiya	D13/180
D591,247	S	*	4/2009	Miyashita	D13/180
D606,936	S	*	12/2009	Nakayama	D13/110
D619,111	S	*	7/2010	Wu	D13/180
D623,611	S	*	9/2010	Okuwaki	D13/180
D628,166	S	*	11/2010	Okuwaki	D13/180
D647,068	S	*	10/2011	Okuwaki	D13/180
D647,865	S	*	11/2011	Miyashita	D13/180
D661,263	S	*	6/2012	Okuwaki	G02B 6/0073
						D13/180
D662,903	S	*	7/2012	Kobayakawa	D13/180
D664,106	S	*	7/2012	Kobayakawa	D13/180
D669,042	S	*	10/2012	Kanemaru	D13/180
D669,043	S	*	10/2012	Kamijo	D13/180
D697,877	S	*	1/2014	Hsu	D13/180
9,406,852	B2	*	8/2016	Nakabayashi	H01L 33/642
D786,203	S	*	5/2017	Ide	D13/180
9,741,907	B2	*	8/2017	Oh	H01L 33/486
D797,688	S	*	9/2017	Tanaka	D13/180
D843,957	S	*	3/2019	Liu	D13/180

(*) Notice: This patent is subject to a terminal disclaimer.

(**) Term: **15 Years**

(21) Appl. No.: **35/506,562**

(22) Filed: **Oct. 12, 2018**

(80) **Hague Agreement Data**

Int. Filing Date: **Oct. 12, 2018**

Int. Reg. No.: **DM/200550**

Int. Reg. Date: **Oct. 12, 2018**

Int. Reg. Pub. Date: **Apr. 12, 2019**

(51) **LOC (12) Cl.** **13-03**

(52) **U.S. Cl.**
USPC **D13/180**

(58) **Field of Classification Search**

USPC D10/106.1, 114.4; D13/180, 182;
D26/2, 25, 35, 74, 80, 81

CPC ... H01L 25/167; H01L 25/0753; H01L 27/15;
H01L 27/156; H01L 31/02; H01L 33/00;
H01L 33/04; H01L 33/08; H01L 33/10;
H01L 33/20; H01L 33/38; H01L 33/42;
H01L 33/48; H01L 33/483; H01L 33/486;

(Continued)

Primary Examiner — Robert M. Spear

(74) *Attorney, Agent, or Firm* — H.C. Park & Associates, PLC

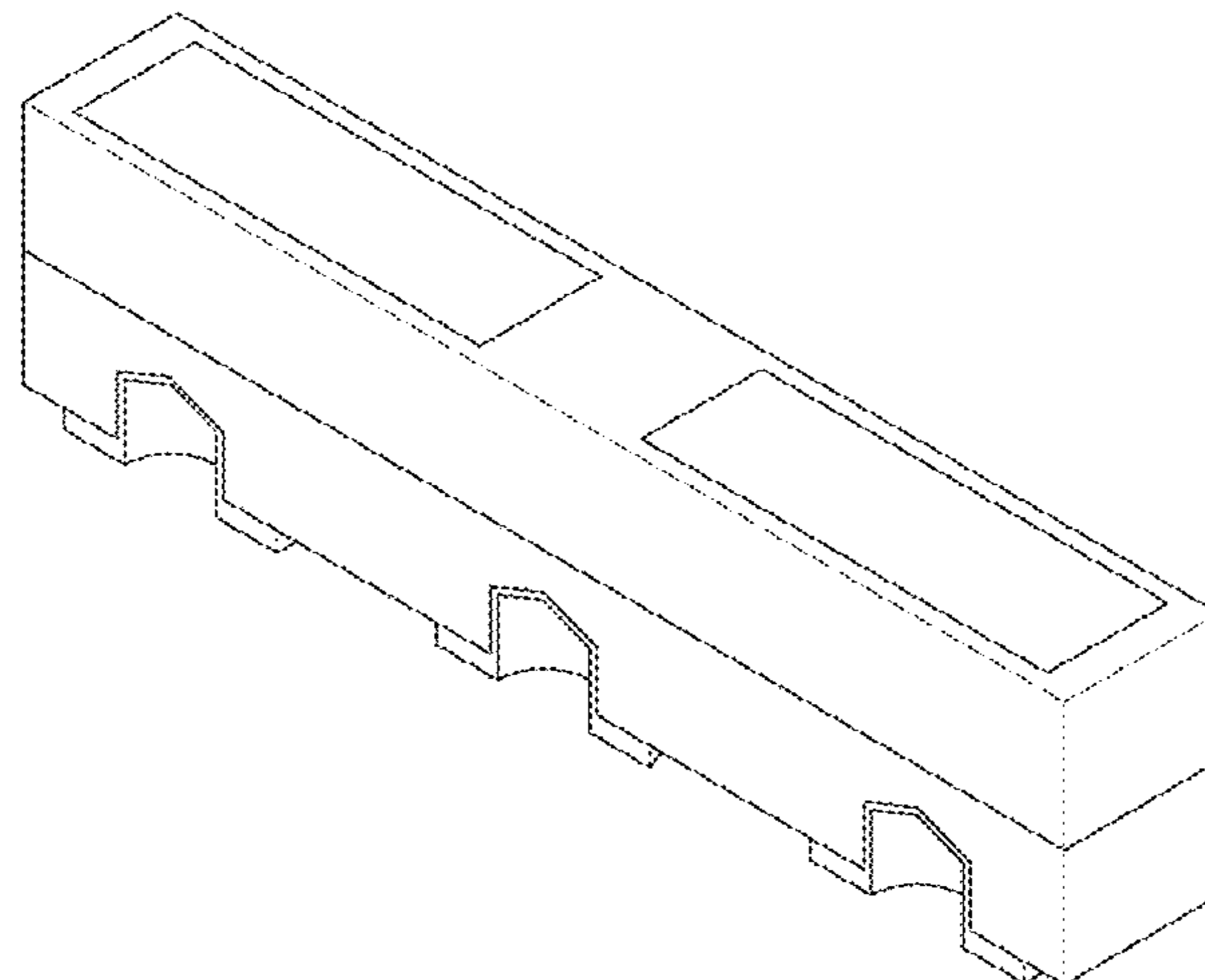
(57) **CLAIM**

The ornamental design for light emitting diode package, as shown and described.

DESCRIPTION

- 1. Light emitting diode package
- 1.1 : Perspective
- 1.2 : Front
- 1.3 : Back
- 1.4 : Left
- 1.5 : Right

(Continued)



1.6 : Top
1.7 : Bottom

1 Claim, 7 Drawing Sheets

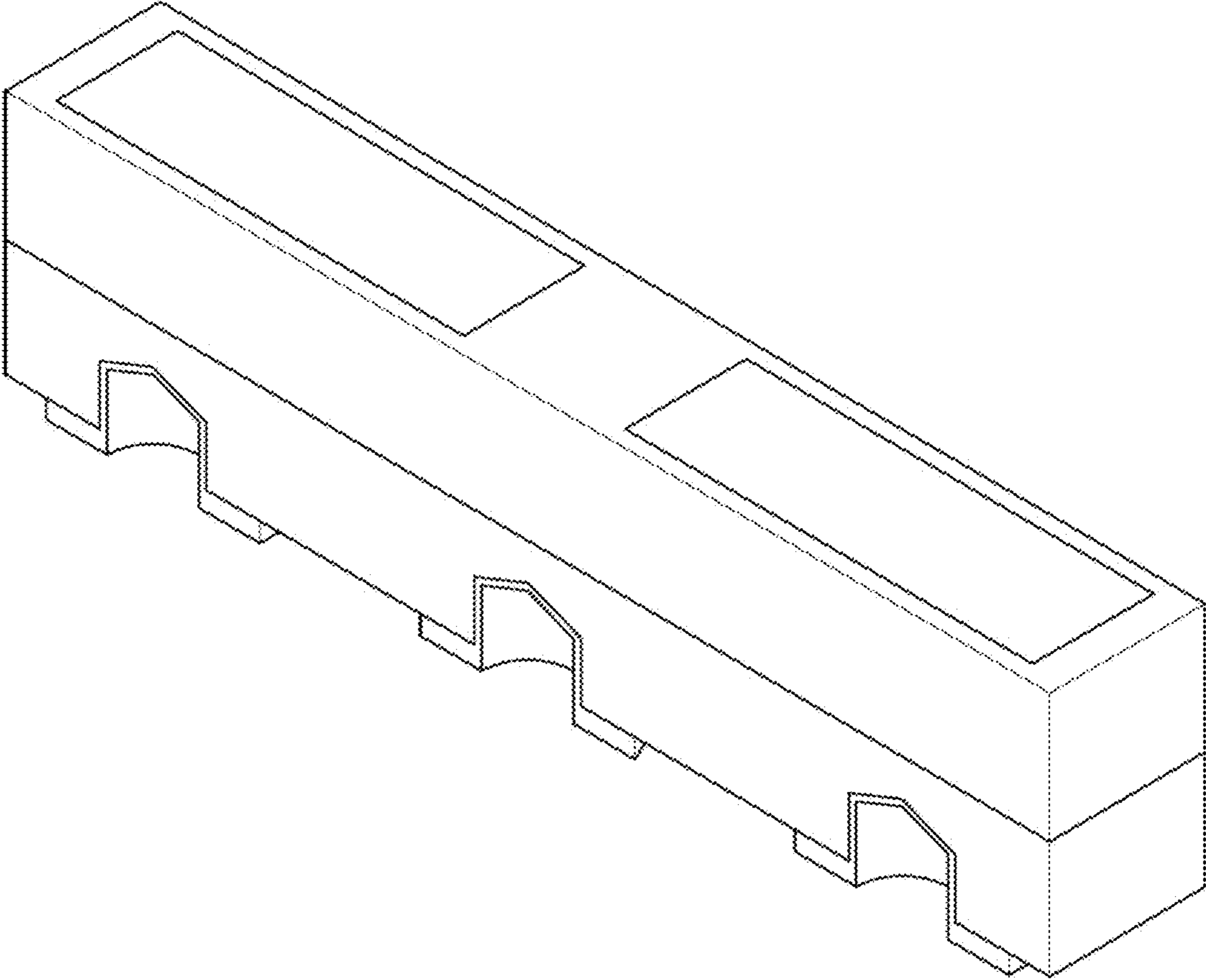
(56) **References Cited**

U.S. PATENT DOCUMENTS

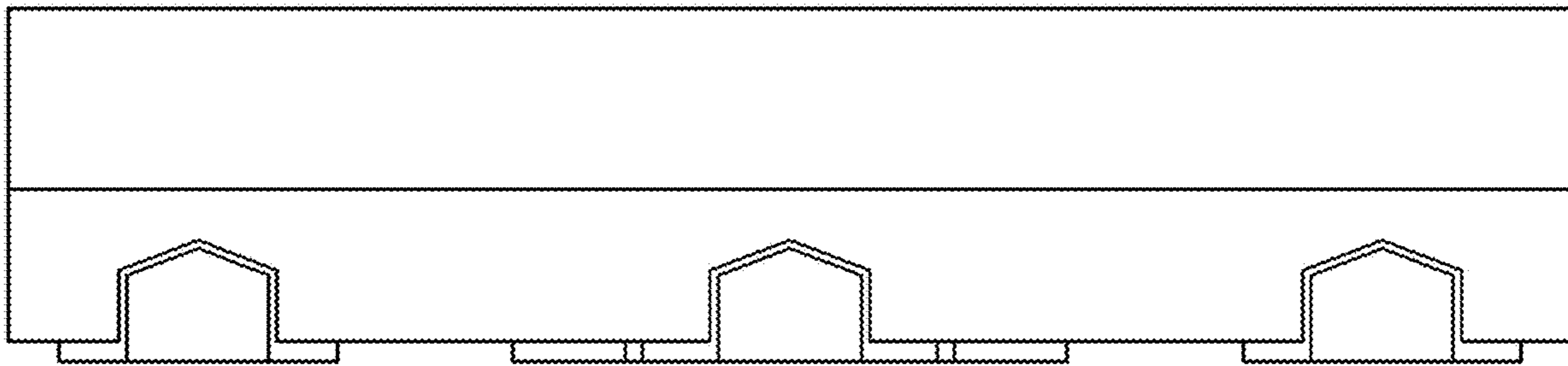
D854,713 S *	7/2019	Liu	D26/1
D865,226 S *	10/2019	Liu	D26/1
D865,687 S *	11/2019	Oh	H01L 33/486
			D13/180
2007/0114555 A1 *	5/2007	Takemoto	G02B 6/0073
			257/99
2016/0300987 A1 *	10/2016	Sanga	H01L 33/38

* cited by examiner

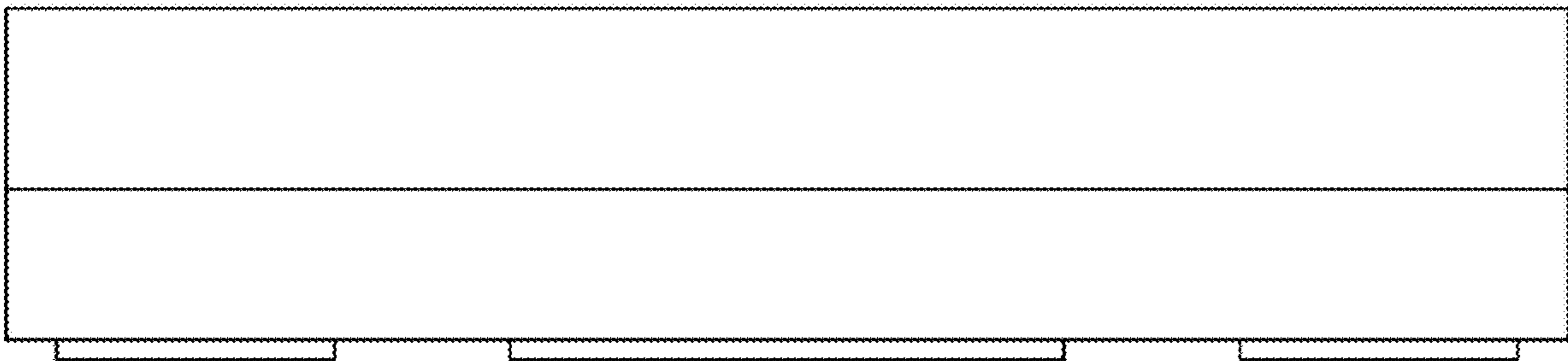
1.1



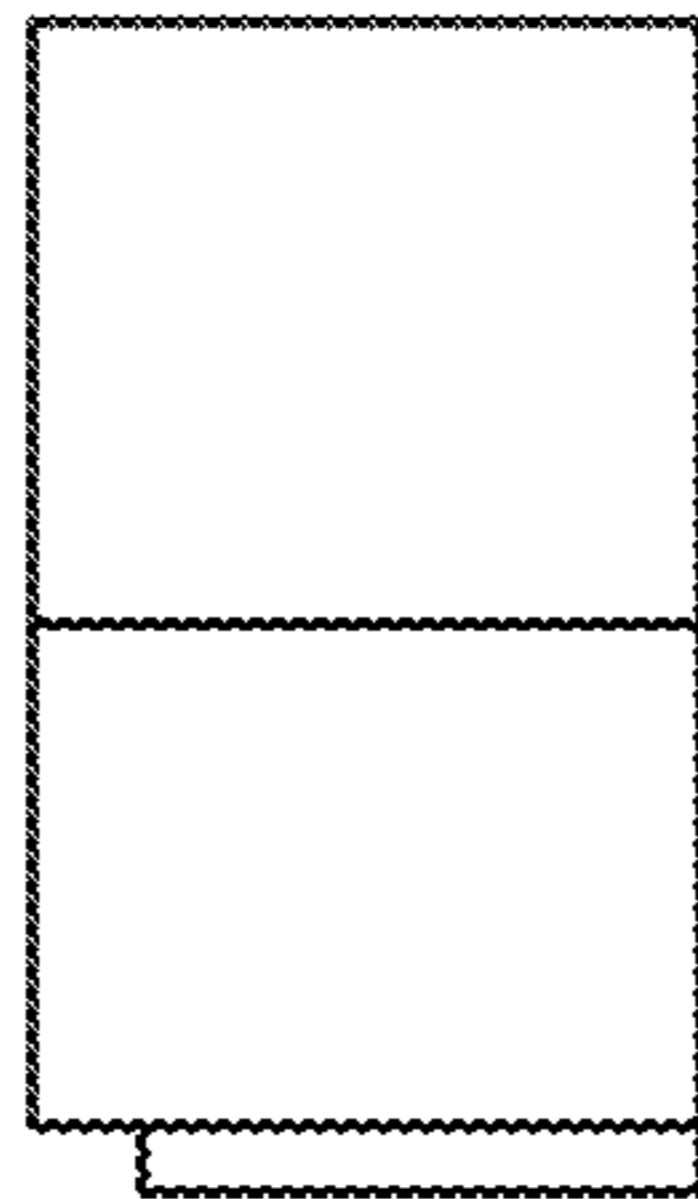
1.2



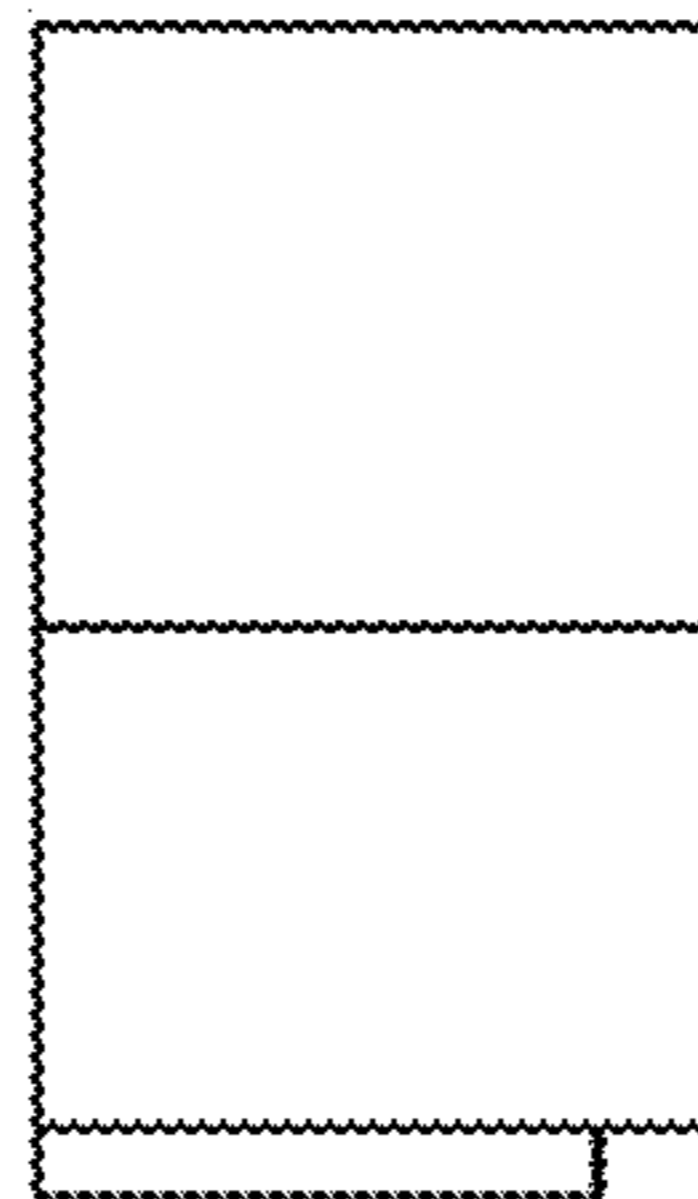
1.3



1.4



1.5



1.6



1.7

