



US00D894852S

(12) **United States Design Patent** (10) **Patent No.:** **US D894,852 S**
Liao (45) **Date of Patent:** **** Sep. 1, 2020**

(54) **LIGHT-EMITTING DIODE**
(71) Applicant: **EPISTAR CORPORATION**, Hsinchu (TW)
(72) Inventor: **Wen-Luh Liao**, Hsinchu (TW)
(73) Assignee: **EPISTAR CORPORATION**, Hsinchu (TW)
(**) Term: **15 Years**
(21) Appl. No.: **29/689,106**
(22) Filed: **Apr. 26, 2019**
(30) **Foreign Application Priority Data**

Nov. 8, 2018 (TW) 107306594
(51) **LOC (12) Cl.** **13-03**
(52) **U.S. Cl.**
USPC **D13/180**
(58) **Field of Classification Search**
USPC D13/180; D24/1, 2
CPC ... H01L 25/167; H01L 25/0753; H01L 27/15;
H01L 27/156; H01L 31/02; H01L 33/00;
H01L 33/04; H01L 33/08; H01L 33/10;
H01L 33/20; H01L 33/38; H01L 33/42;
H01L 33/48; H01L 33/483; H01L 33/486;
F21K 9/00
See application file for complete search history.

(56) **References Cited**
U.S. PATENT DOCUMENTS
D566,057 S * 4/2008 Edmond D13/180
D580,888 S * 11/2008 Liu D13/180
8,120,057 B2 * 2/2012 Sano H01L 33/38
257/99
8,168,995 B2 * 5/2012 Ko H01L 33/38
257/99

D693,779 S * 11/2013 Chu D13/180
D698,743 S * 2/2014 Hon D13/180
D709,840 S * 7/2014 Tsai D13/180
D729,752 S * 5/2015 Chou D13/180
D730,303 S * 5/2015 Chou D13/180
9,508,891 B2 * 11/2016 Lu H01L 33/005
9,548,423 B2 * 1/2017 Chien H01L 33/405
9,577,152 B2 * 2/2017 Sato H01L 33/387
2005/0212002 A1 * 9/2005 Sanga H01L 33/42
257/96
2014/0077242 A1 * 3/2014 Lee H01L 33/60
257/98
2014/0191277 A1 * 7/2014 Chen H01L 33/38
257/99
2016/0336482 A1 * 11/2016 Lu H01L 25/0756
2017/0025566 A1 * 1/2017 Song H01L 33/38
2018/0145224 A1 * 5/2018 Kim H01L 33/46
2018/0323341 A1 * 11/2018 Koo H01L 33/14

(Continued)

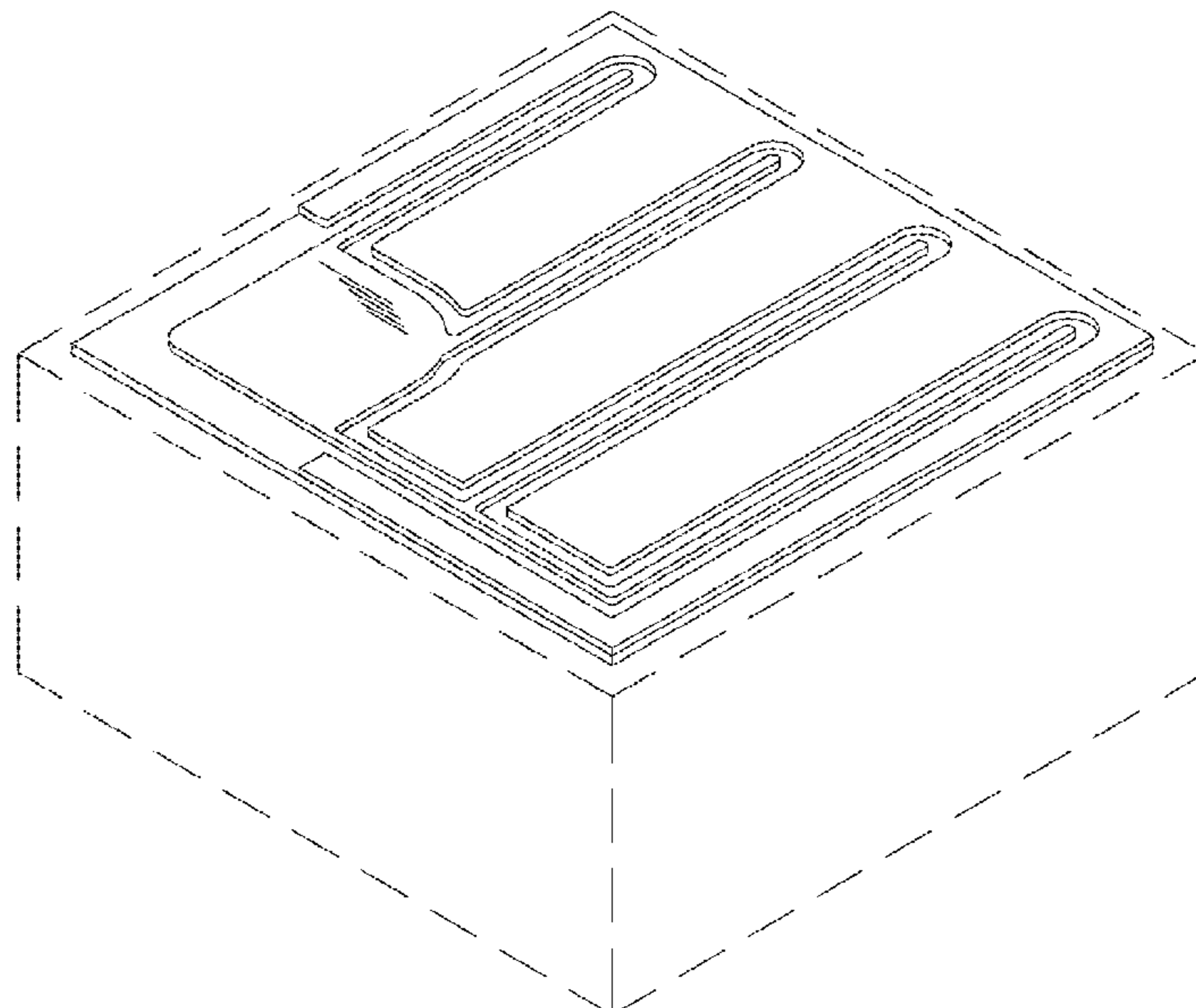
Primary Examiner — Selina Sikder
(74) *Attorney, Agent, or Firm* — Muncy, Geissler, Olds & Lowe, P.C.

(57) **CLAIM**
The ornamental design for a light-emitting diode, as shown and described.

DESCRIPTION

FIG. 1 is a perspective view of a light-emitting diode showing an example of the new design; FIG. 2 is another perspective view thereof; FIG. 3 is a front elevational view thereof; FIG. 4 is a rear elevational view thereof; FIG. 5 is a left side view thereof; FIG. 6 is a right side view thereof; FIG. 7 is a top plan view thereof; and, FIG. 8 is a bottom plan view thereof. The broken lines in the drawings are for the purpose of illustrating environmental structures only and form no part of the claimed design.

1 Claim, 6 Drawing Sheets



(56)

References Cited

U.S. PATENT DOCUMENTS

2019/0140137 A1* 5/2019 Kim H01L 33/32
2019/0189680 A1* 6/2019 Oh H01L 27/15

* cited by examiner

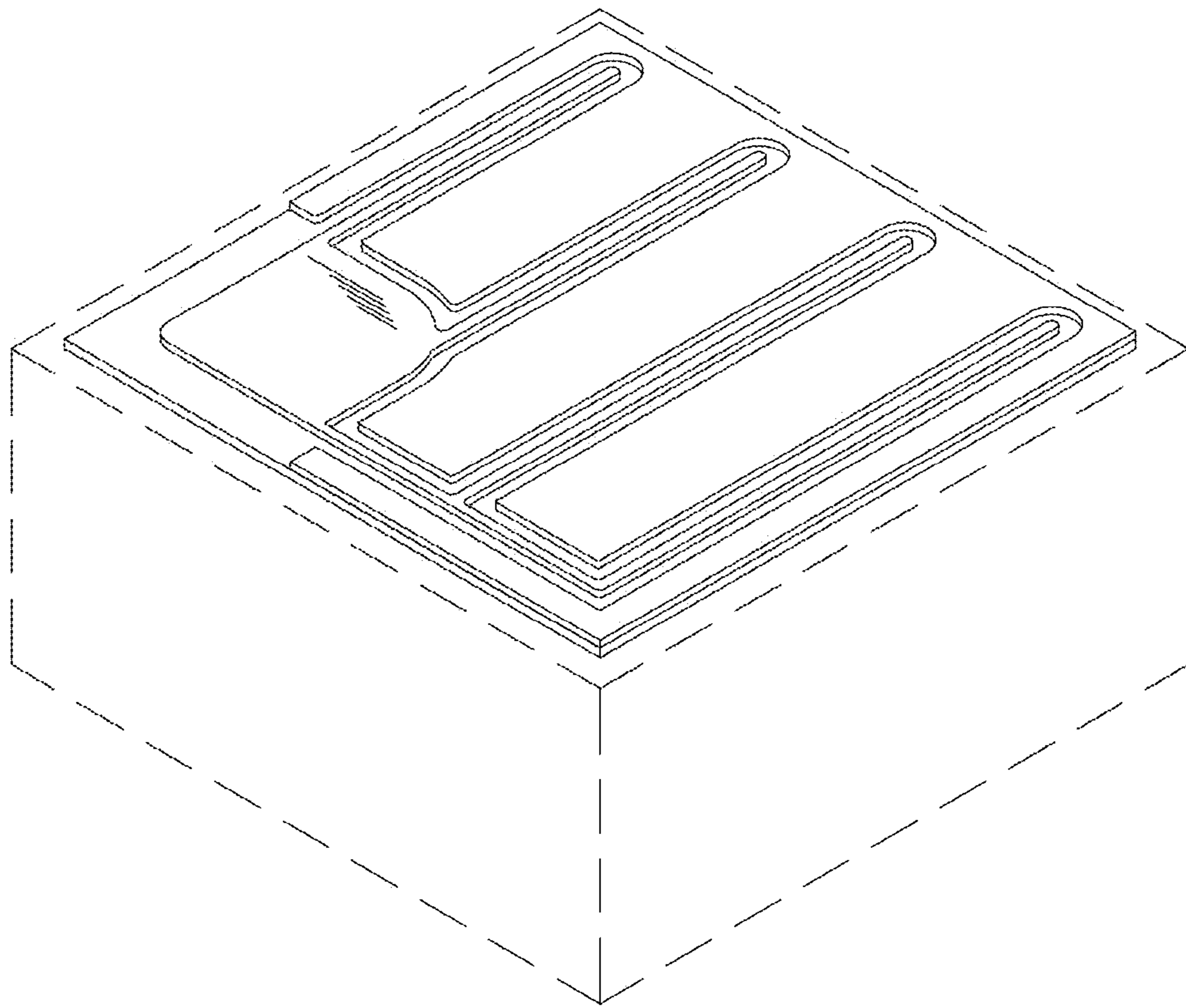


FIG. 1

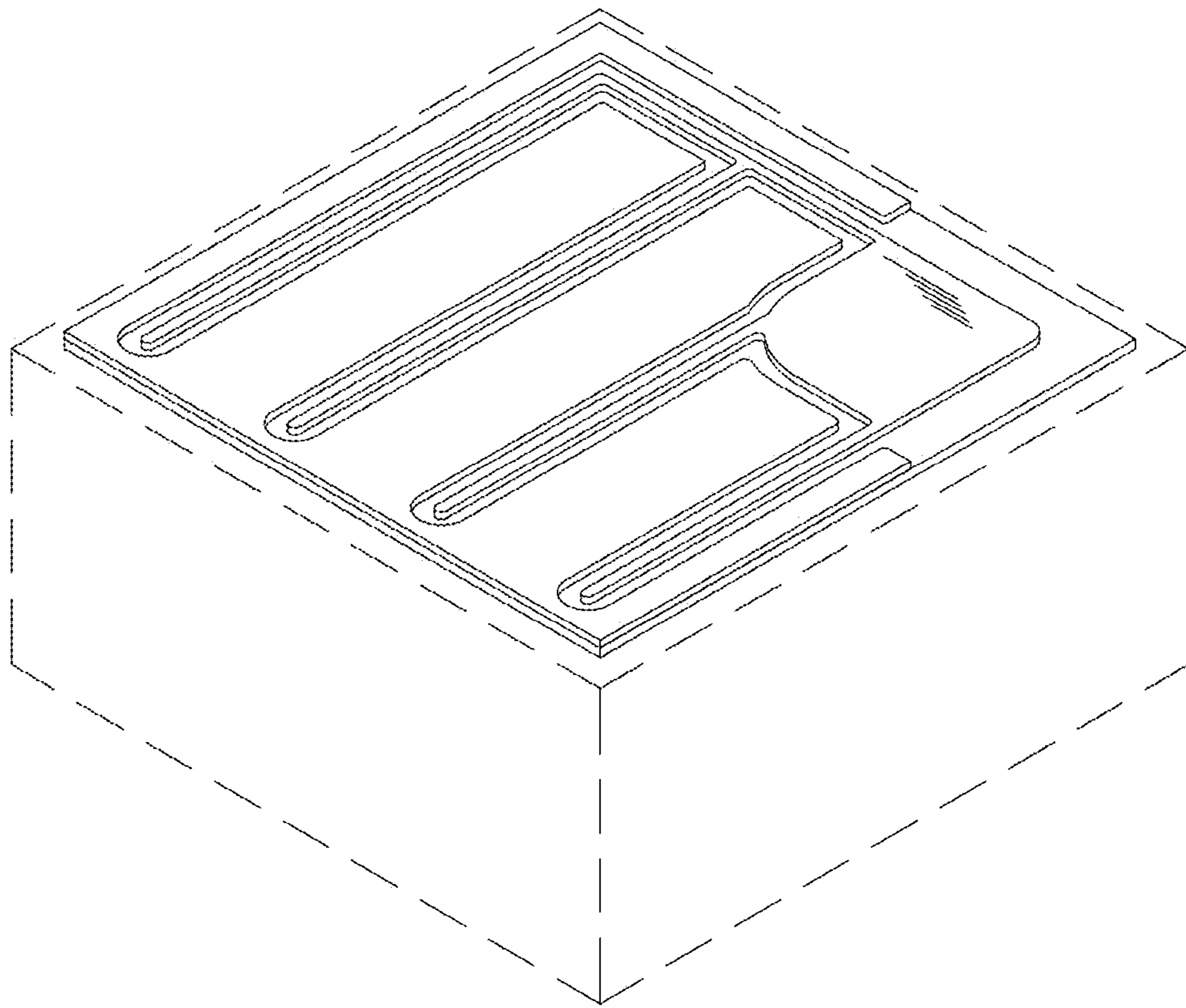


FIG. 2

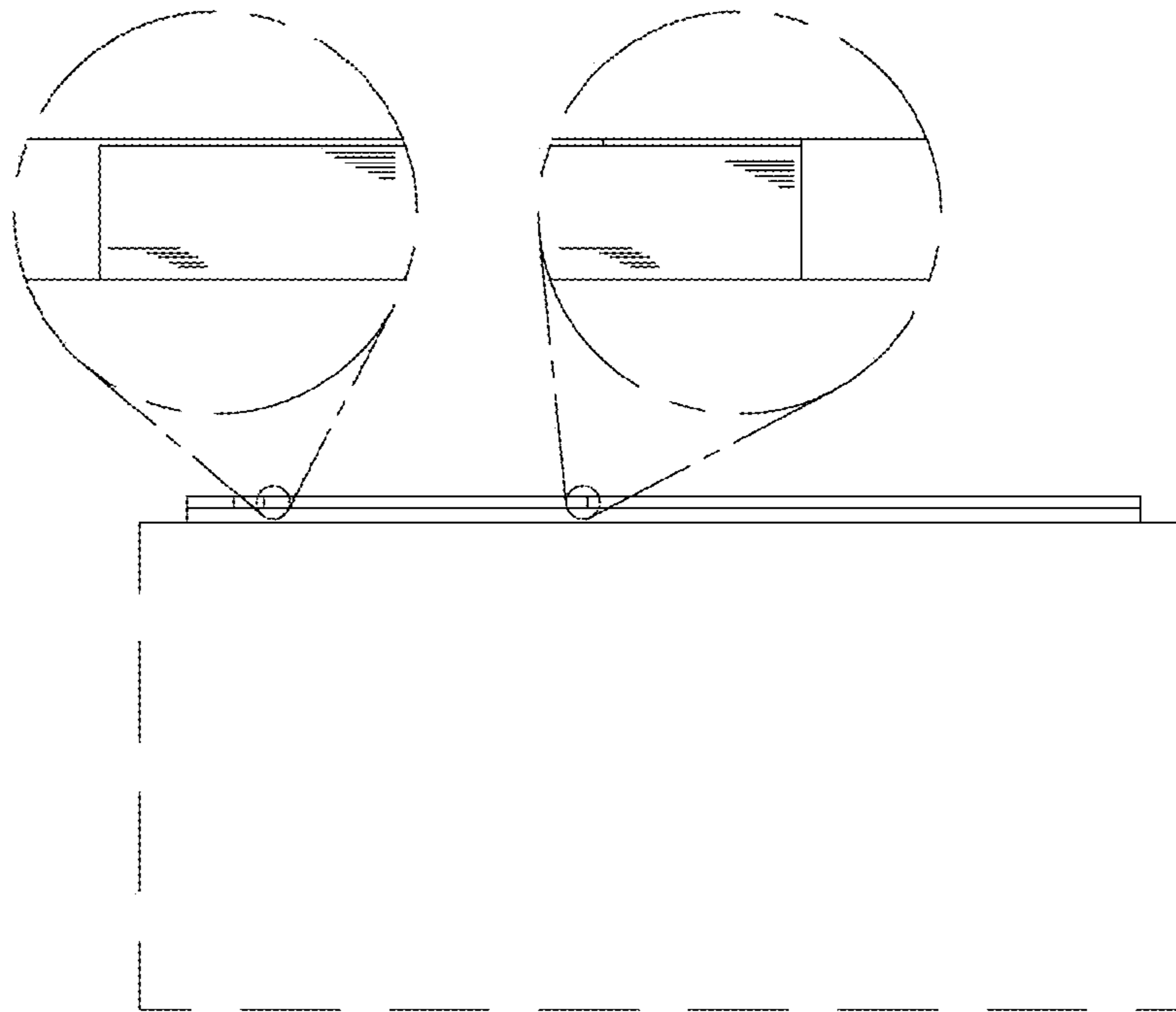


FIG. 3

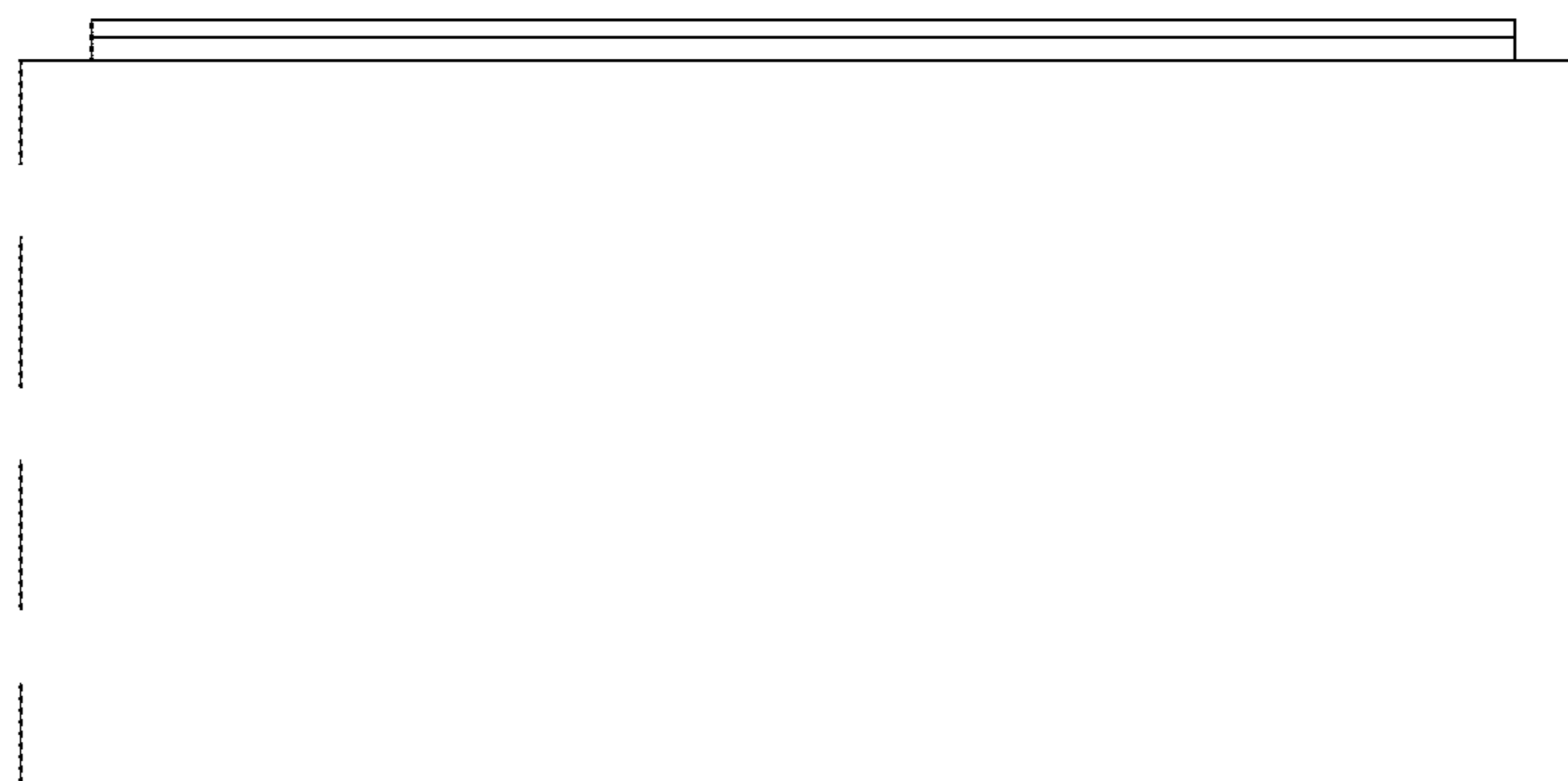


FIG. 4

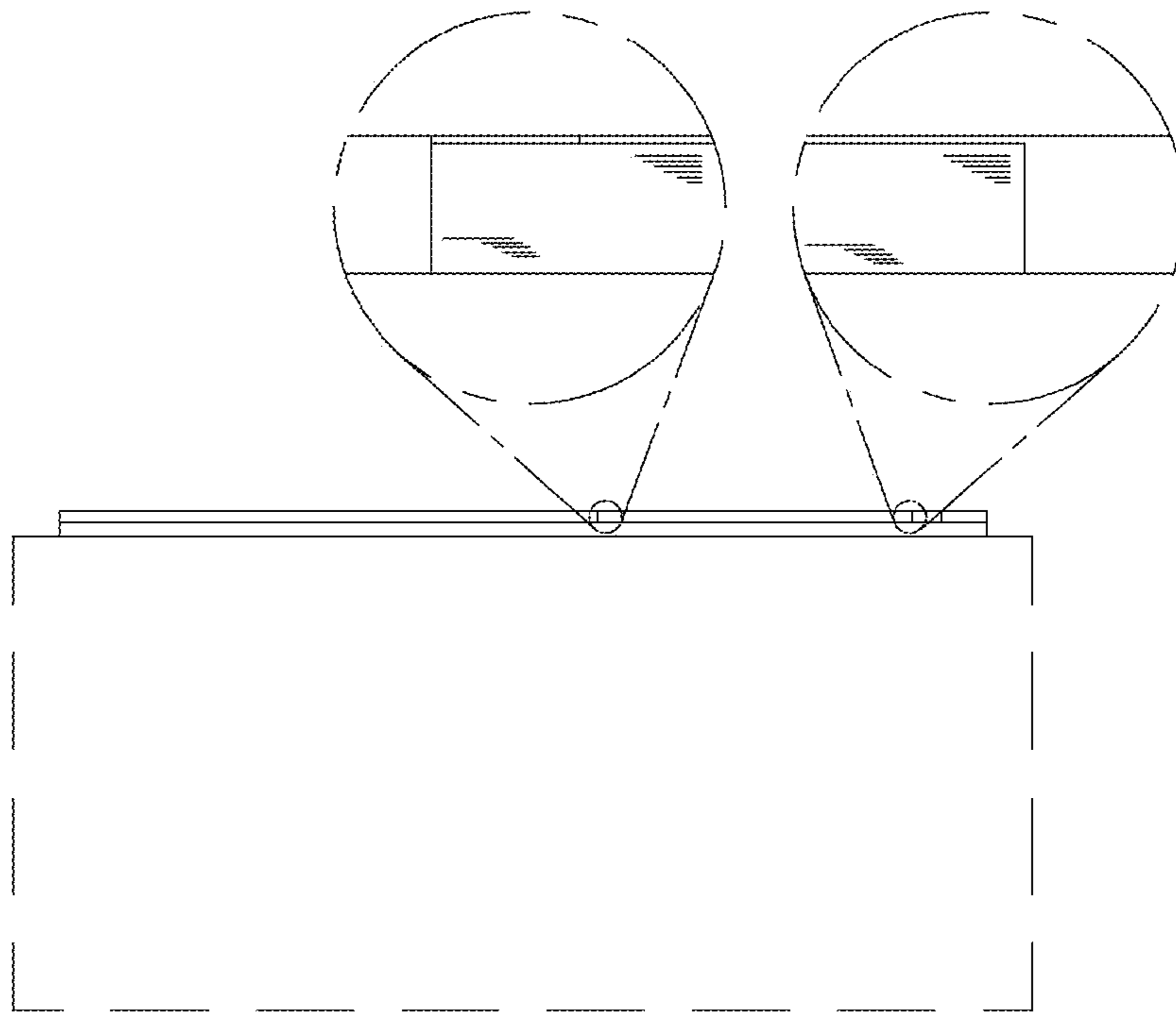


FIG. 5

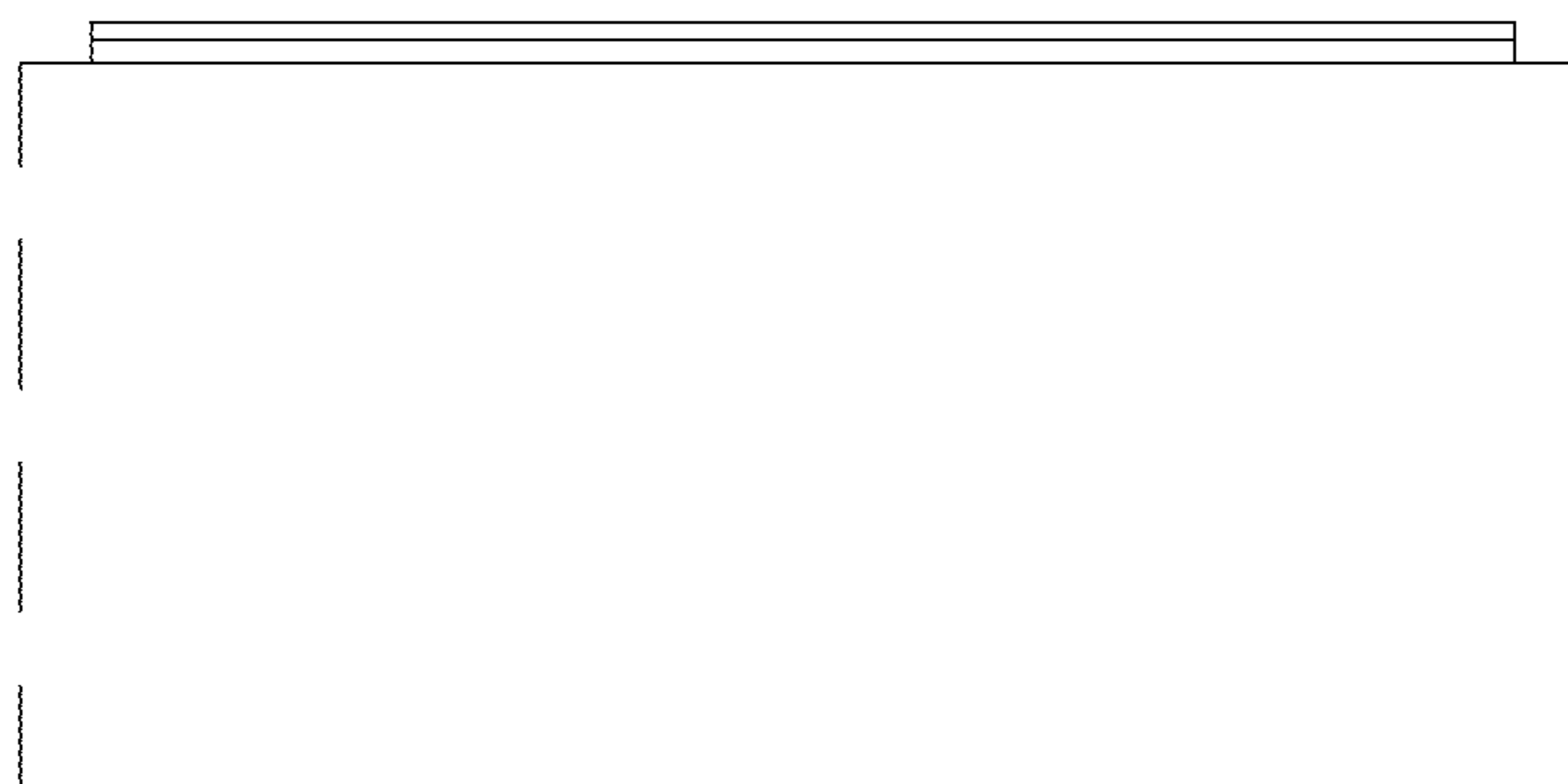


FIG. 6

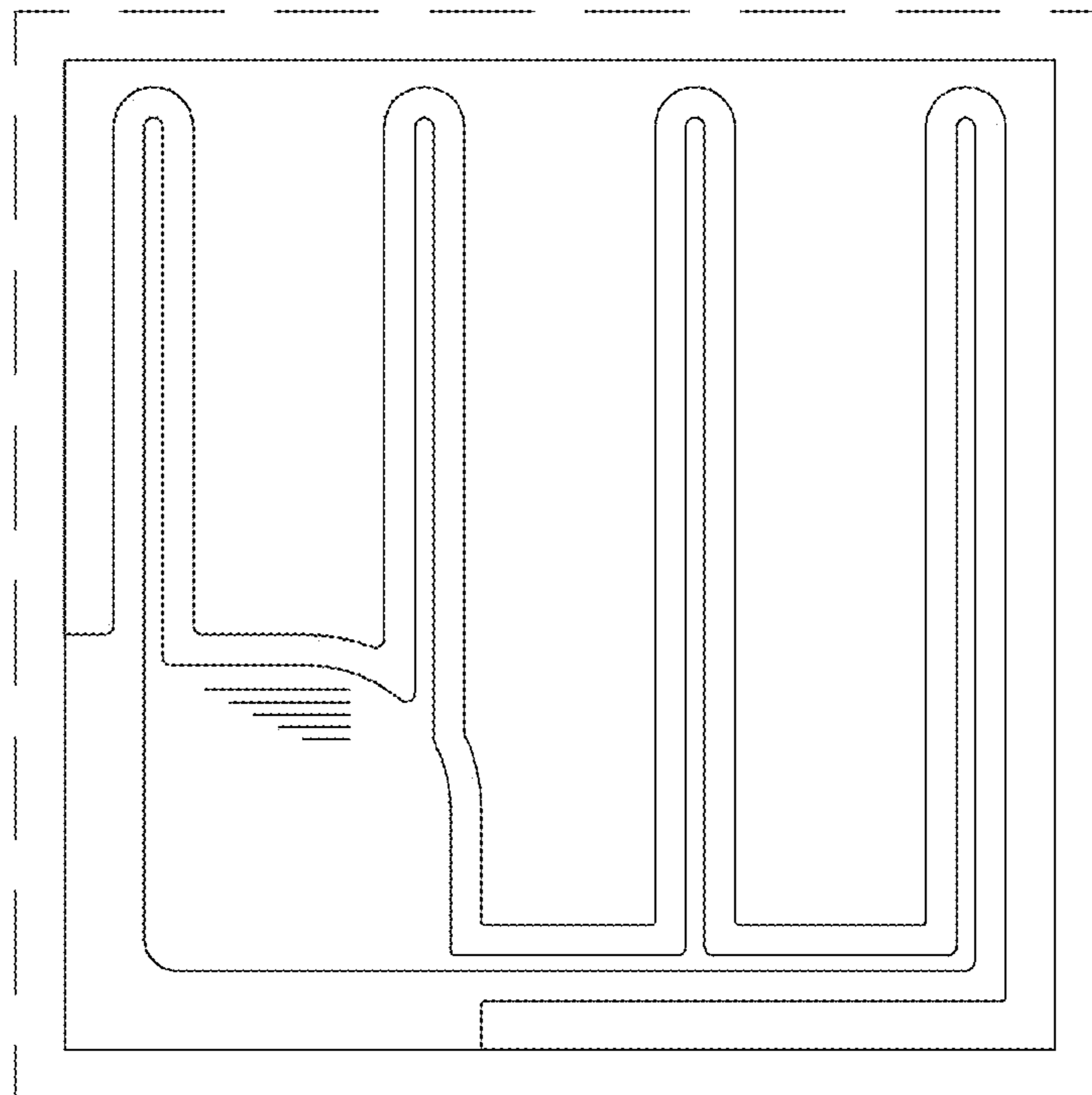


FIG. 7

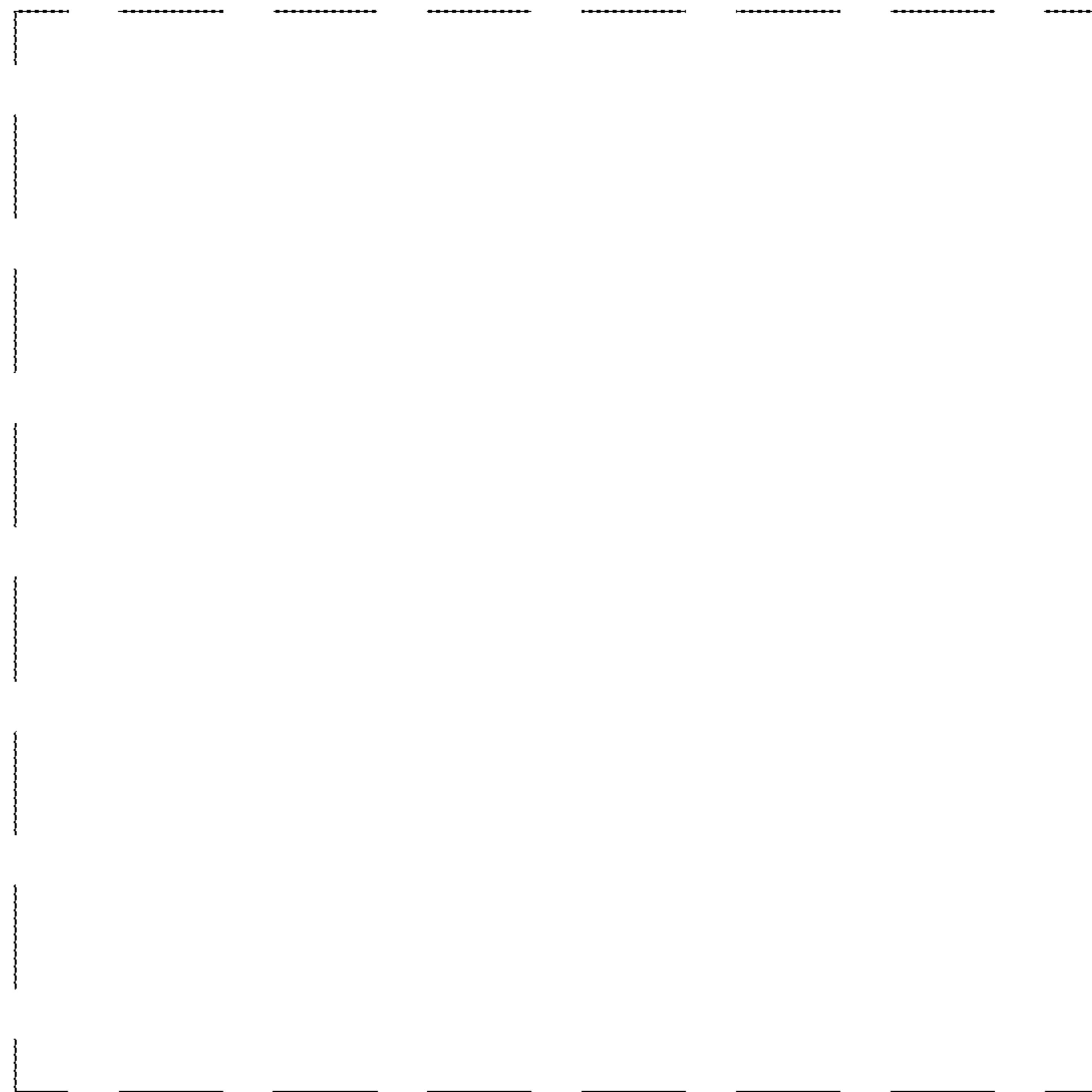


FIG. 8