



US00D894850S

(12) **United States Design Patent**  
**Tsai et al.**

(10) **Patent No.:** **US D894,850 S**  
(45) **Date of Patent:** **\*\* Sep. 1, 2020**

- (54) **LIGHT-EMITTING DEVICE**
- (71) Applicant: **EPISTAR CORPORATION**, Hsinchu (TW)
- (72) Inventors: **Chun-Fu Tsai**, Hsinchu (TW); **Yao-Ning Chan**, Hsinchu (TW); **Yi-Tang Lai**, Hsinchu (TW); **Yi-Ming Chen**, Hsinchu (TW); **Shih-Chang Lee**, Hsinchu (TW)
- (73) Assignee: **EPISTAR CORPORATION**, Hsinchu (TW)

9,076,946	B2 *	7/2015	Hon	.....	H01L 33/44
D737,228	S *	8/2015	Chen	.....	D13/180
D743,354	S *	11/2015	Hon	.....	D13/180
D764,421	S *	8/2016	Kao	.....	D13/180
D770,397	S *	11/2016	Wang	.....	D13/180
10,156,335	B1 *	12/2018	Li	.....	H01L 33/60
10,211,372	B1 *	2/2019	Kim	.....	H01L 21/78
10,461,223	B2 *	10/2019	Chang	.....	H01L 33/38
2014/0159091	A1 *	6/2014	Hon	.....	H01L 33/24
					257/98
2016/0043280	A1 *	2/2016	Moon	.....	H01L 33/387
					257/97
2018/0182922	A1 *	6/2018	Emura et al.	.....	H01L 33/62
2019/0189680	A1 *	6/2019	Oh	.....	H01L 27/15

\* cited by examiner

(\*\*) Term: **15 Years**

(21) Appl. No.: **29/673,162**

(22) Filed: **Dec. 12, 2018**

(51) **LOC (12) Cl.** ..... **13-03**

(52) **U.S. Cl.**  
USPC ..... **D13/180**

(58) **Field of Classification Search**  
USPC ..... D13/180; D24/1  
CPC ... H01L 25/167; H01L 25/0753; H01L 27/15;  
H01L 27/156; H01L 31/02; H01L 33/00;  
H01L 33/04; H01L 33/08; H01L 33/10;  
H01L 33/20; H01L 33/38; H01L 33/42;  
H01L 33/48; H01L 33/483; H01L 33/486;  
F21K 9/00

See application file for complete search history.

(56) **References Cited**

**U.S. PATENT DOCUMENTS**

8,344,392	B2 *	1/2013	Yeh	.....	H01L 33/38
					257/79
D689,448	S *	9/2013	Kimura	.....	D13/180
D694,723	S *	12/2013	Wu	.....	D13/180
8,704,249	B2 *	4/2014	Kamiya	.....	H01L 33/38
					257/91
D707,641	S *	6/2014	Lu	.....	D13/180

*Primary Examiner* — Selina Sikder

(74) *Attorney, Agent, or Firm* — Muncy, Geissler, Olds & Lowe, P.C.

(57) **CLAIM**

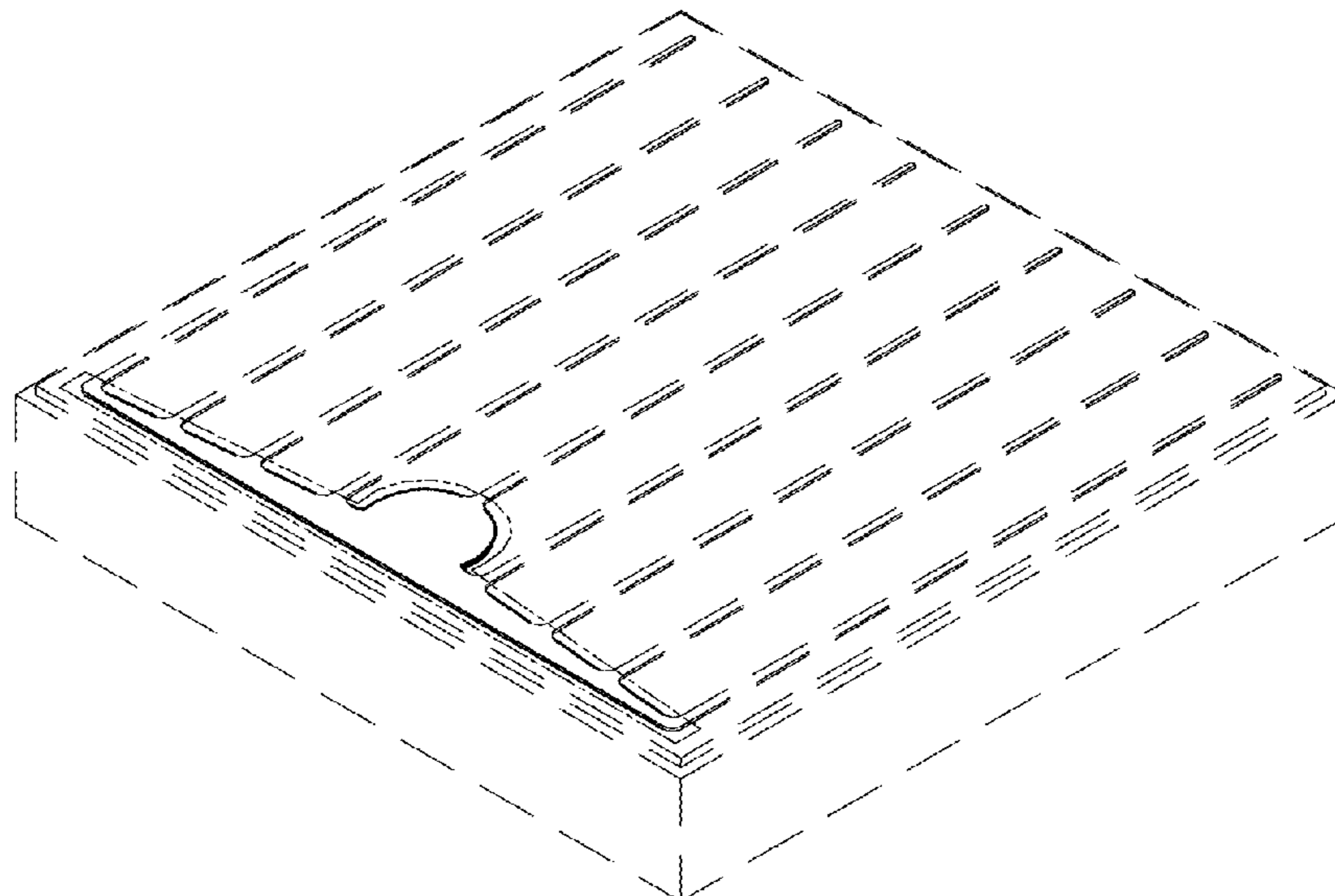
The ornamental design for a light-emitting device, as shown and described.

**DESCRIPTION**

FIG. 1 is a front, right perspective view of a light-emitting device showing our new design;  
FIG. 2 is a front, left perspective view thereof;  
FIG. 3 is a front elevational view thereof;  
FIG. 4 is a rear elevational view thereof;  
FIG. 5 is a left side elevational view thereof;  
FIG. 6 is a right side elevational view thereof;  
FIG. 7 is a top plan view thereof; and,  
FIG. 8 is a bottom plan view thereof.

The broken lines illustrate portions of the light-emitting device which form no part of the claimed design.  
The dash-dot-dash-dot broken lines are boundary lines and define the bounds of the claimed design. The claimed design extends to the boundary lines but does not include the boundary lines.

**1 Claim, 6 Drawing Sheets**



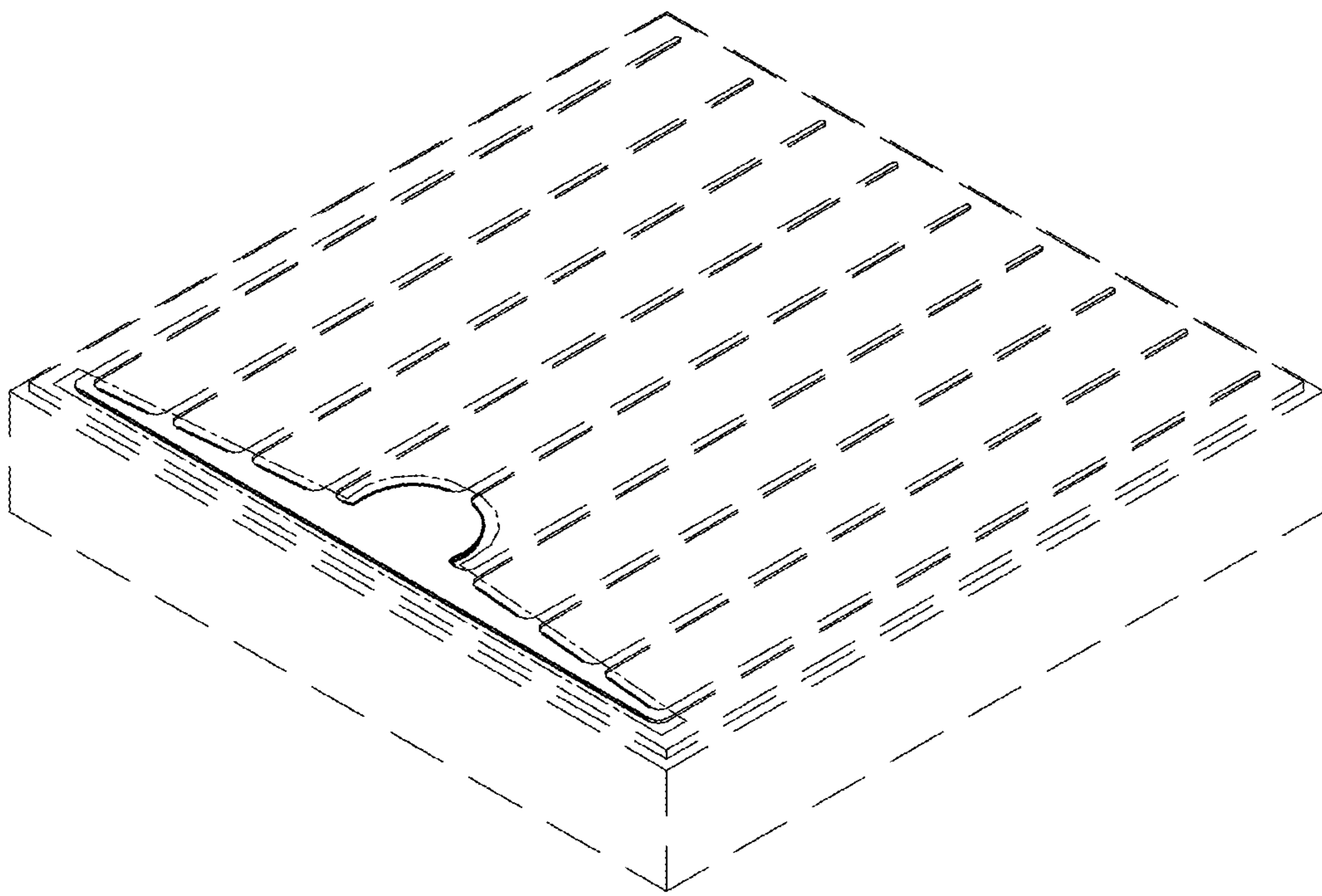


FIG. 1

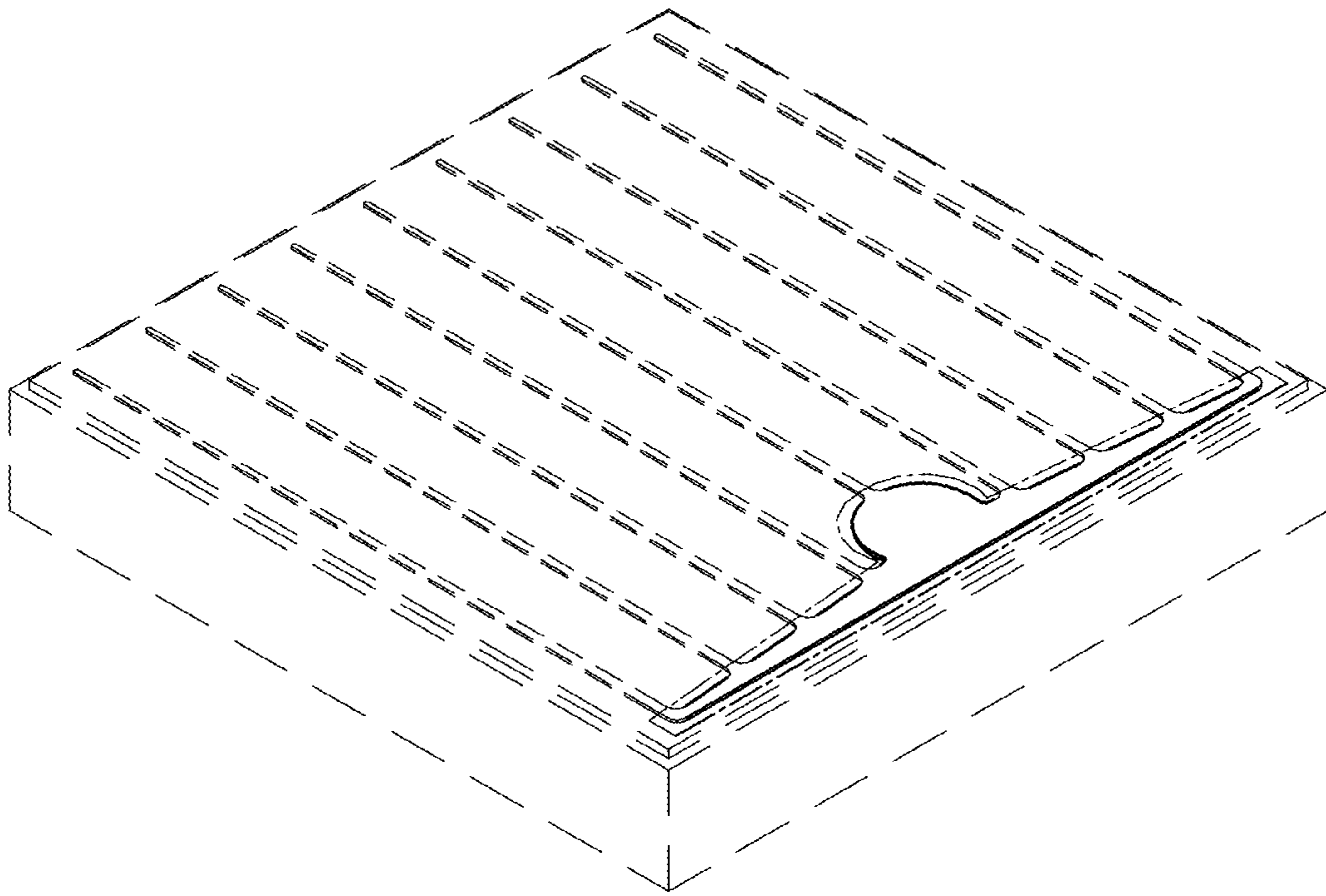


FIG. 2

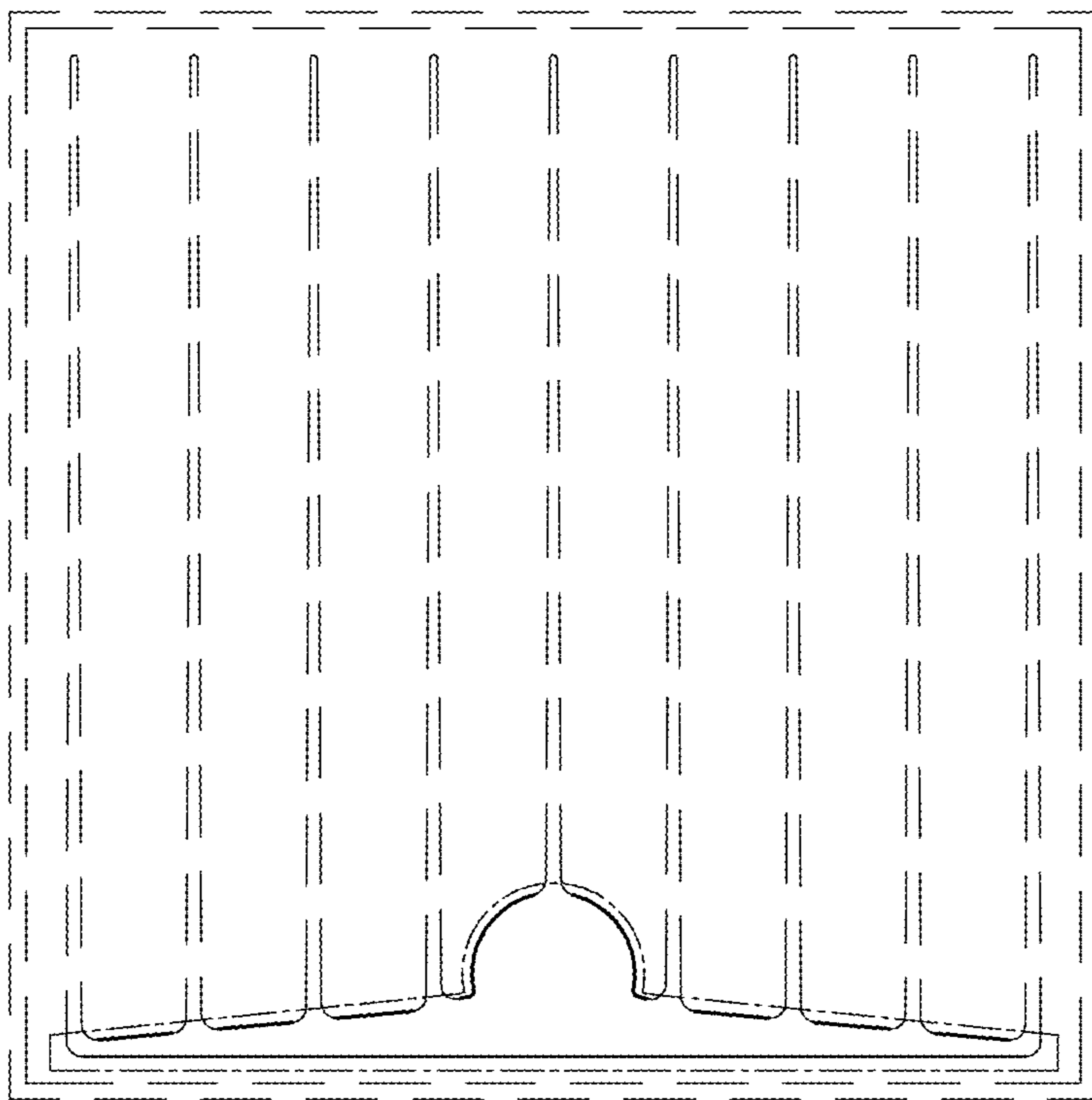


FIG. 3

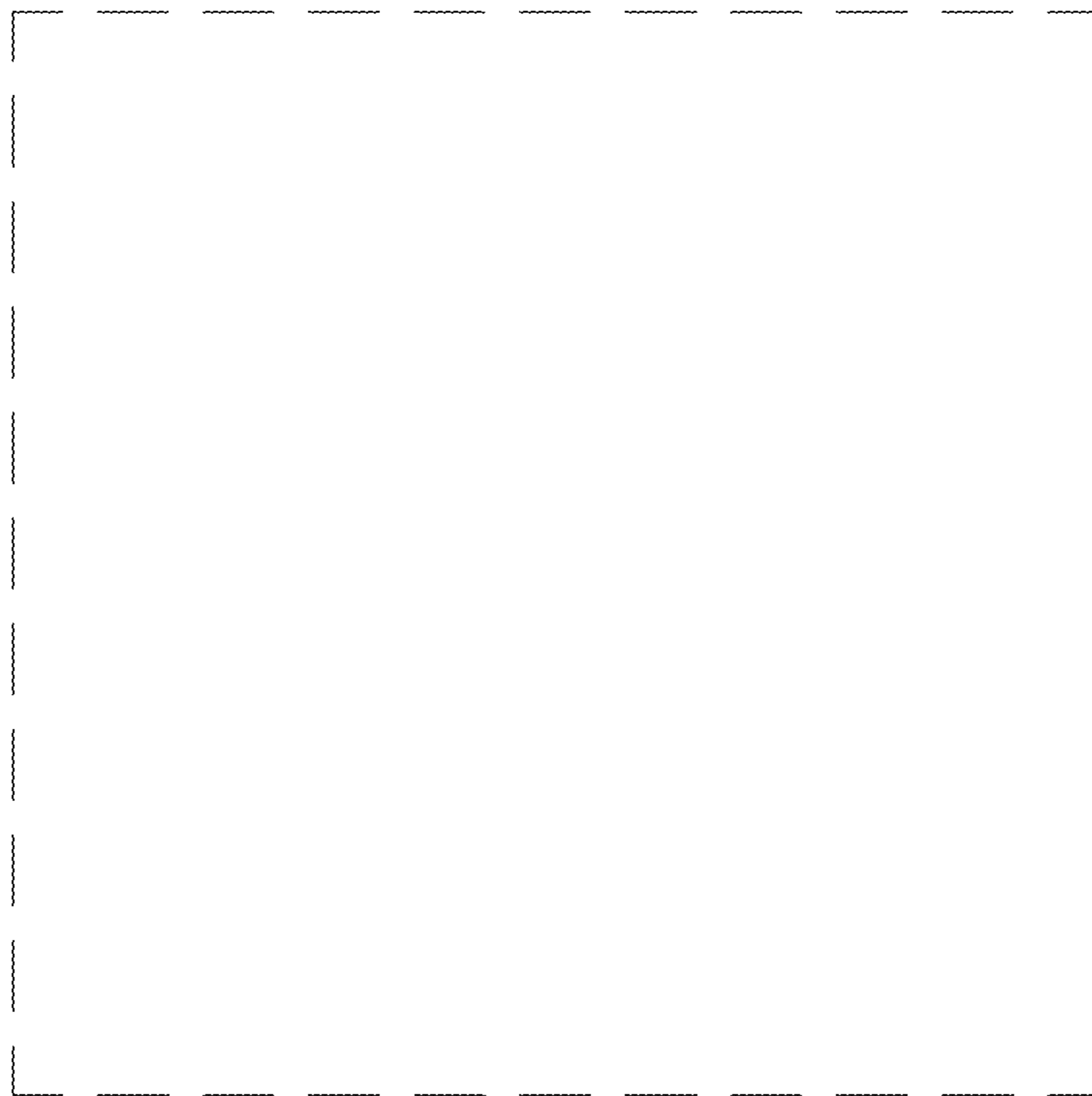


FIG. 4

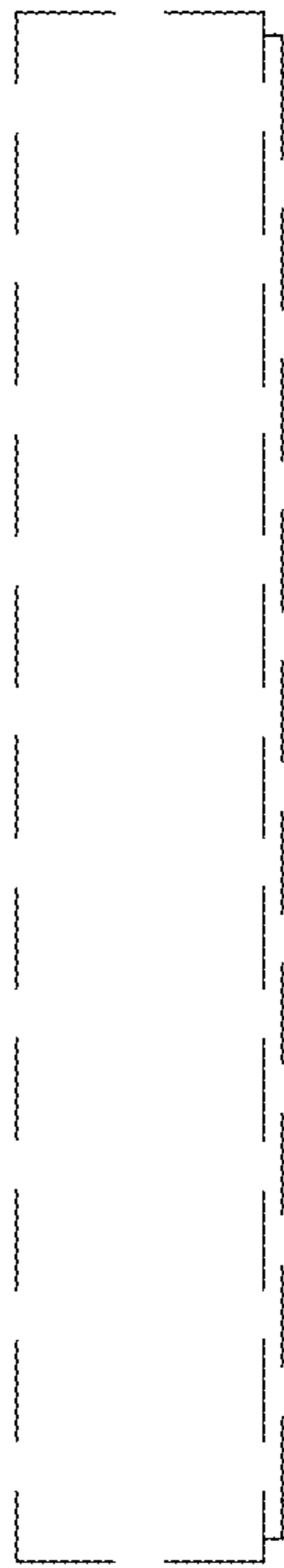


FIG. 5

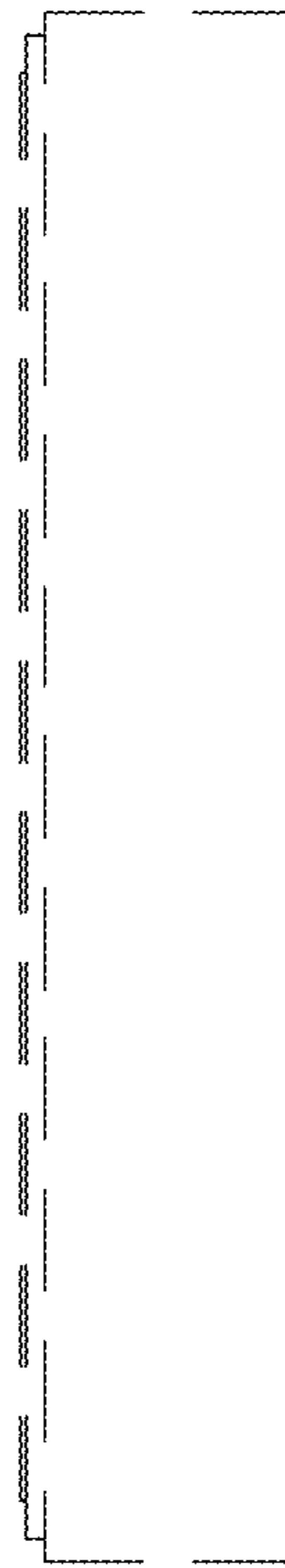


FIG. 6

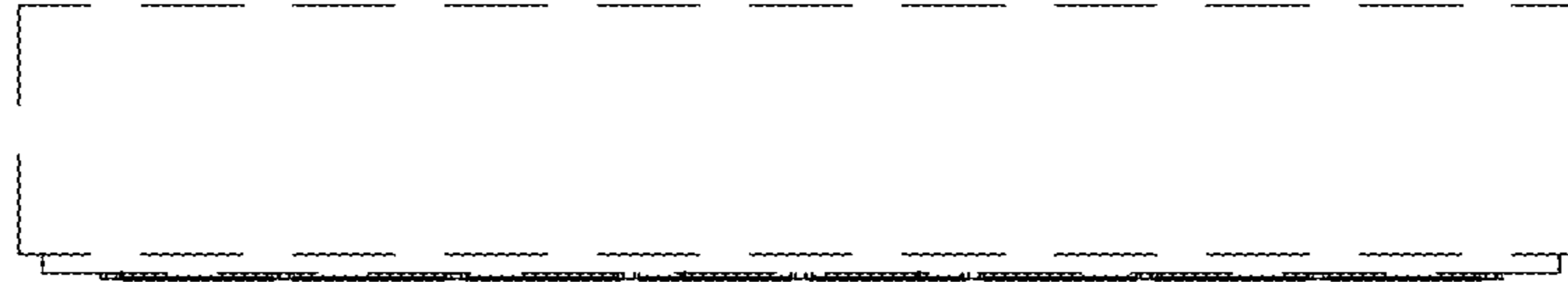


FIG. 7

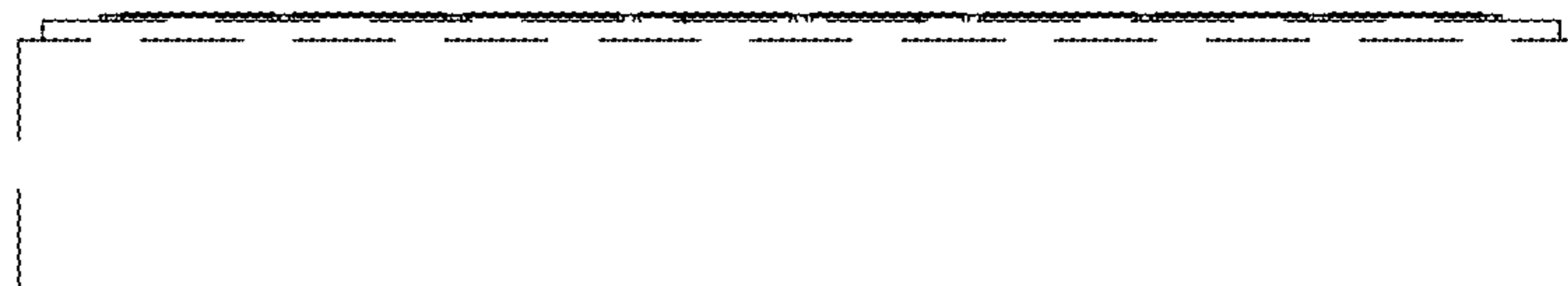


FIG. 8