



US00D894849S

(12) **United States Design Patent** (10) **Patent No.:** **US D894,849 S**
Ice et al. (45) **Date of Patent:** **** Sep. 1, 2020**

- (54) **HEAT SINK**
- (71) Applicants: **Chad Ice**, Nashville, TN (US); **Vernon Price**, Hendersonville, TN (US)
- (72) Inventors: **Chad Ice**, Nashville, TN (US); **Vernon Price**, Hendersonville, TN (US)
- (73) Assignee: **Osram Sylvania Inc.**, Wilmington, MA (US)

- D296,324 S * 6/1988 McCarthy D13/179
- D296,778 S * 7/1988 McCarthy D13/179
- D314,945 S * 2/1991 McCarthy D13/179
- D317,907 S * 7/1991 McCarthy D13/179
- D322,594 S * 12/1991 McCarthy D13/179
- D361,986 S * 9/1995 Harmon D13/179
- D376,349 S * 12/1996 Campanella D13/179
- D390,539 S * 2/1998 Campanella D13/179
- D394,043 S * 5/1998 Campanella D13/179
- D407,381 S * 3/1999 Campanella D13/179

(Continued)

(**) Term: **15 Years**

(21) Appl. No.: **29/709,197**

(22) Filed: **Oct. 11, 2019**

Related U.S. Application Data

(62) Division of application No. 29/605,144, filed on May 24, 2017, now Pat. No. Des. 878,312.

(51) **LOC (12) Cl.** **13-03**

(52) **U.S. Cl.**
USPC **D13/179**

(58) **Field of Classification Search**
USPC D13/179; D26/138, 141, 152, 142, 63;
D8/394, 354, 395
CPC . H05K 7/20254; H05K 7/20418; F28F 3/022;
F28F 3/04; F28F 21/065; H01L 23/367;
H01L 23/3672; H01L 23/3677; H01L
23/36; H01L 23/4006; G02B 1/111; A61B
17/50; A61M 37/0015
See application file for complete search history.

(56) **References Cited**

U.S. PATENT DOCUMENTS

- D267,942 S * 2/1983 McCarthy D13/179
- D269,084 S * 5/1983 McCarthy D13/179
- D280,319 S * 8/1985 McCarthy D13/179
- D283,418 S * 4/1986 McCarthy D13/179
- D295,281 S * 4/1988 Moore D13/179
- D295,282 S * 4/1988 Moore D13/179

OTHER PUBLICATIONS

Fischer Elektronik, "New retaining springs for transistors for fitting to heatsinks etc.", Posted on Aug. 8, 2006. (<https://www.fischerelektronik.de/en/latest-news/press-releases/releases/new-retaining-springs-for-transistors-for-fitting-to-heatsinks-etc/>) (Year: 2006).*

(Continued)

Primary Examiner — April Rivas

(74) *Attorney, Agent, or Firm* — Edward Podszus

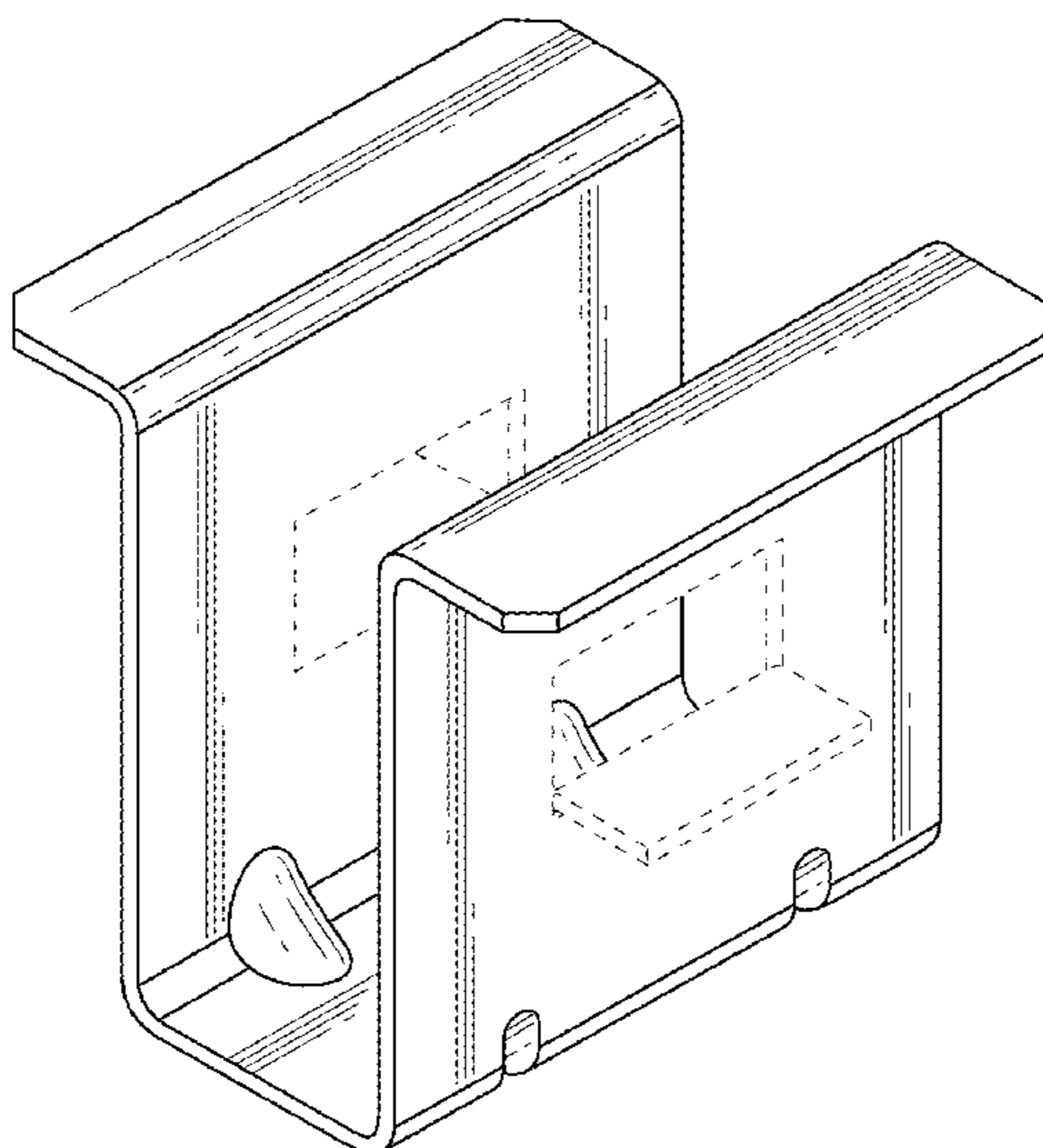
(57) **CLAIM**

The ornamental design for a heat sink, as shown and described.

DESCRIPTION

FIG. 1 is a top perspective view of the new design for a heat sink as seen from the front, top; FIG. 2 is a top plan view thereof; FIG. 3 is a bottom plan view thereof; FIG. 4 is a front elevational view thereof; FIG. 5 is a rear elevational view thereof; FIG. 6 is a right side elevational view thereof, the opposite side view being a mirror image thereof; and, FIG. 7 is a bottom perspective view thereof. The broken lines shown in the drawings illustrate unclaimed portions of the heat sink and form no part of the claimed design.

1 Claim, 7 Drawing Sheets



(56)

References Cited

U.S. PATENT DOCUMENTS

D409,157 S * 5/1999 Holland D13/179
D513,171 S * 12/2005 Richardson D25/133
2002/0131238 A1 * 9/2002 Fisher H01L 23/3672
361/719
2004/0206476 A1 * 10/2004 Lee H01L 23/3672
165/80.3

OTHER PUBLICATIONS

Amazon, "Sentry Supply 656-8202-T T"U" Bracket, for 1 in. Panels, Stainless Steel Construction (Stamped), Satin Finish, T-27 Torx Fasteners, Pack of 1", First on sale Nov. 6, 2016. (<https://www.amazon.com/Sentry-Supply-656-8202-T-Stainless-Construction/dp/B01M5LAT47/>) (Year: 2016).*

* cited by examiner

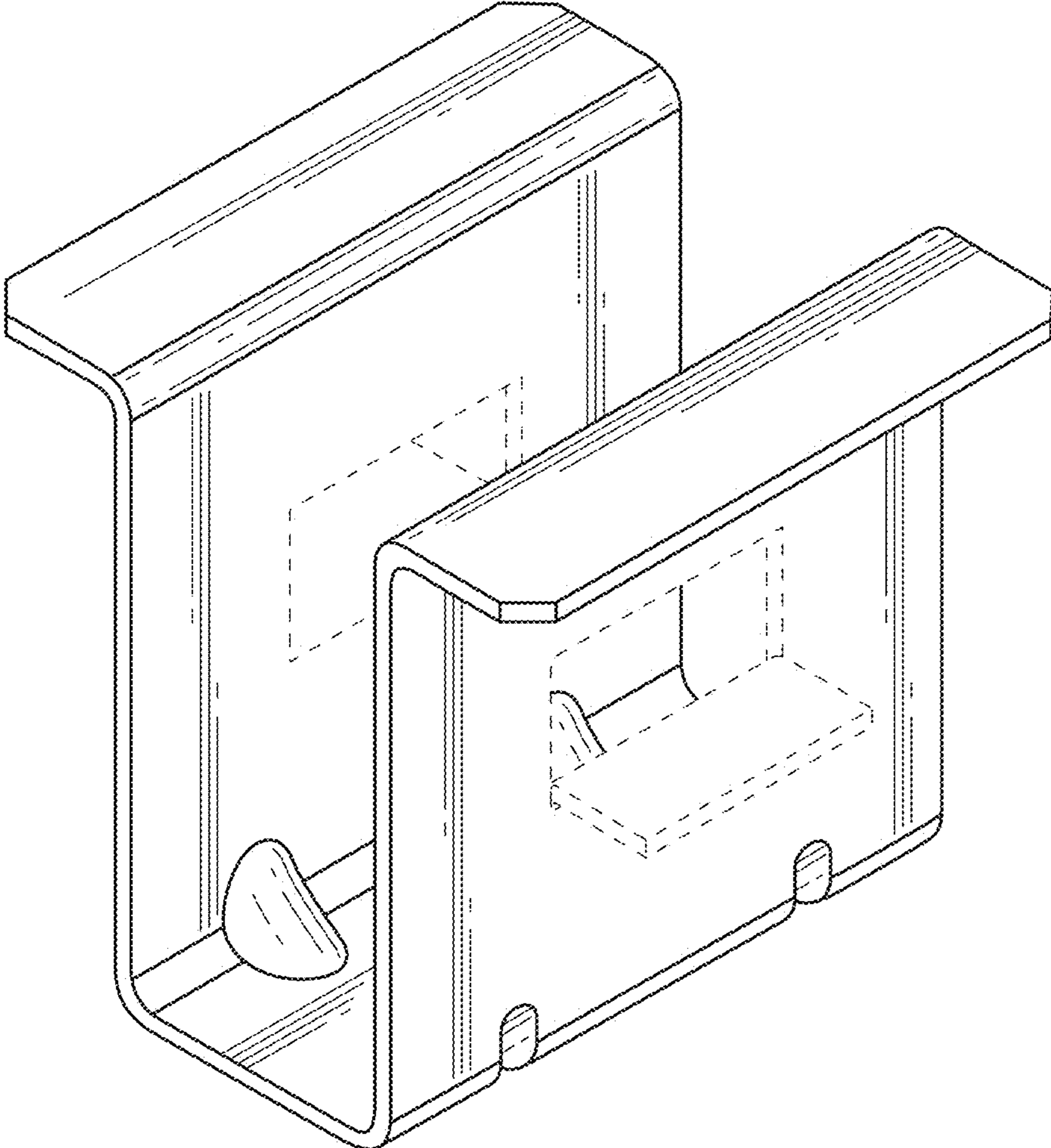


FIG. 1

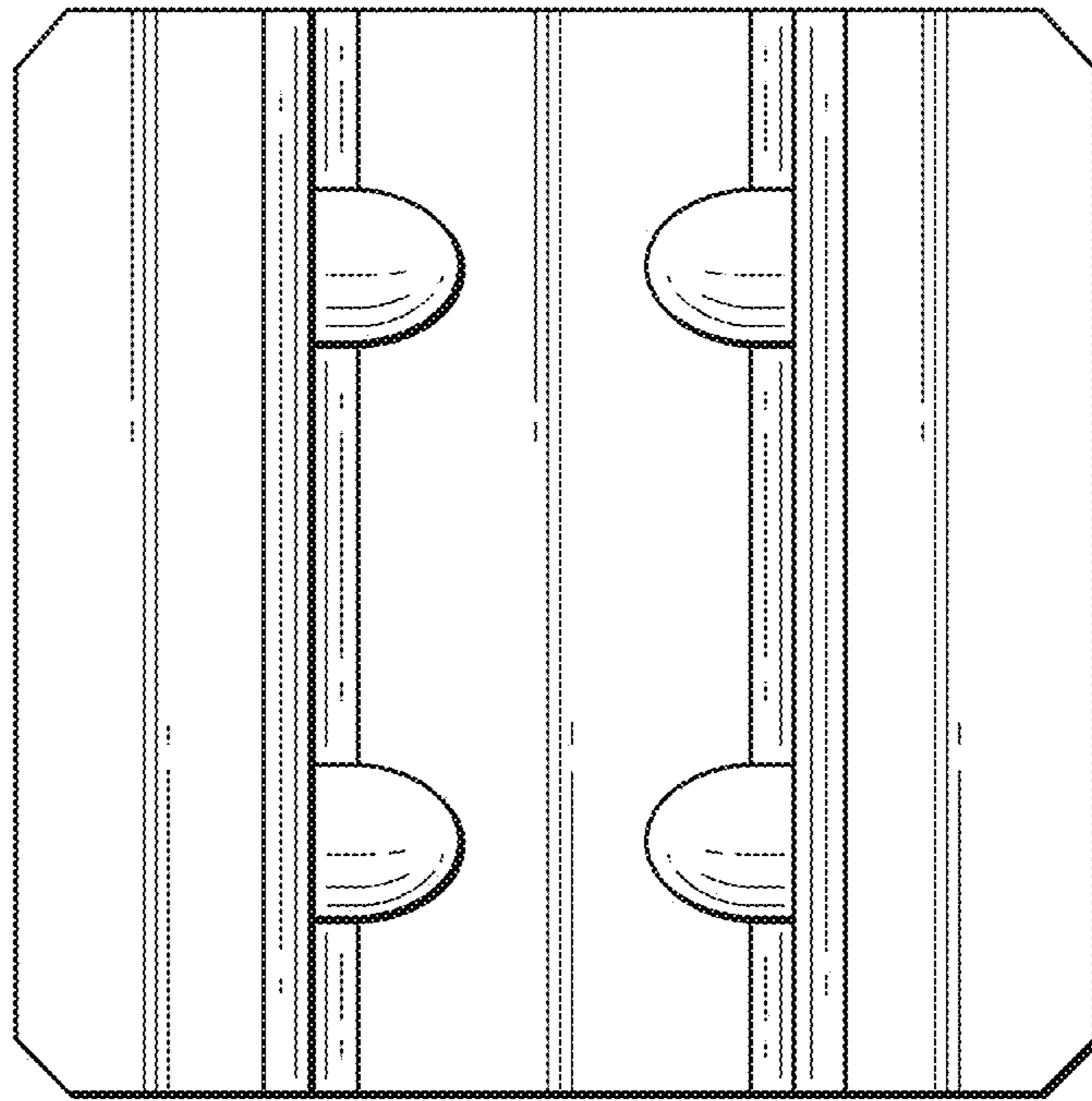


FIG. 2

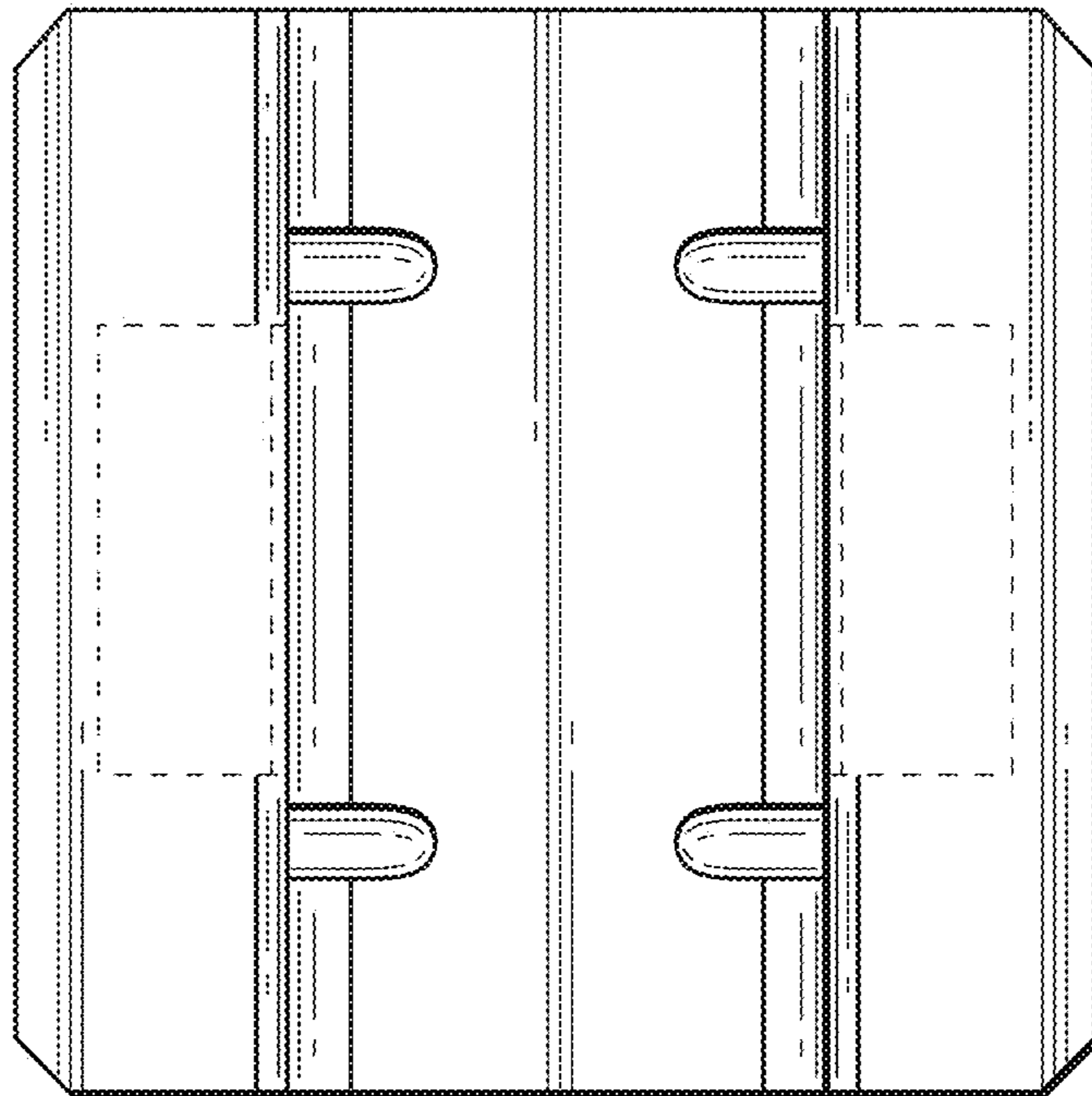


FIG. 3

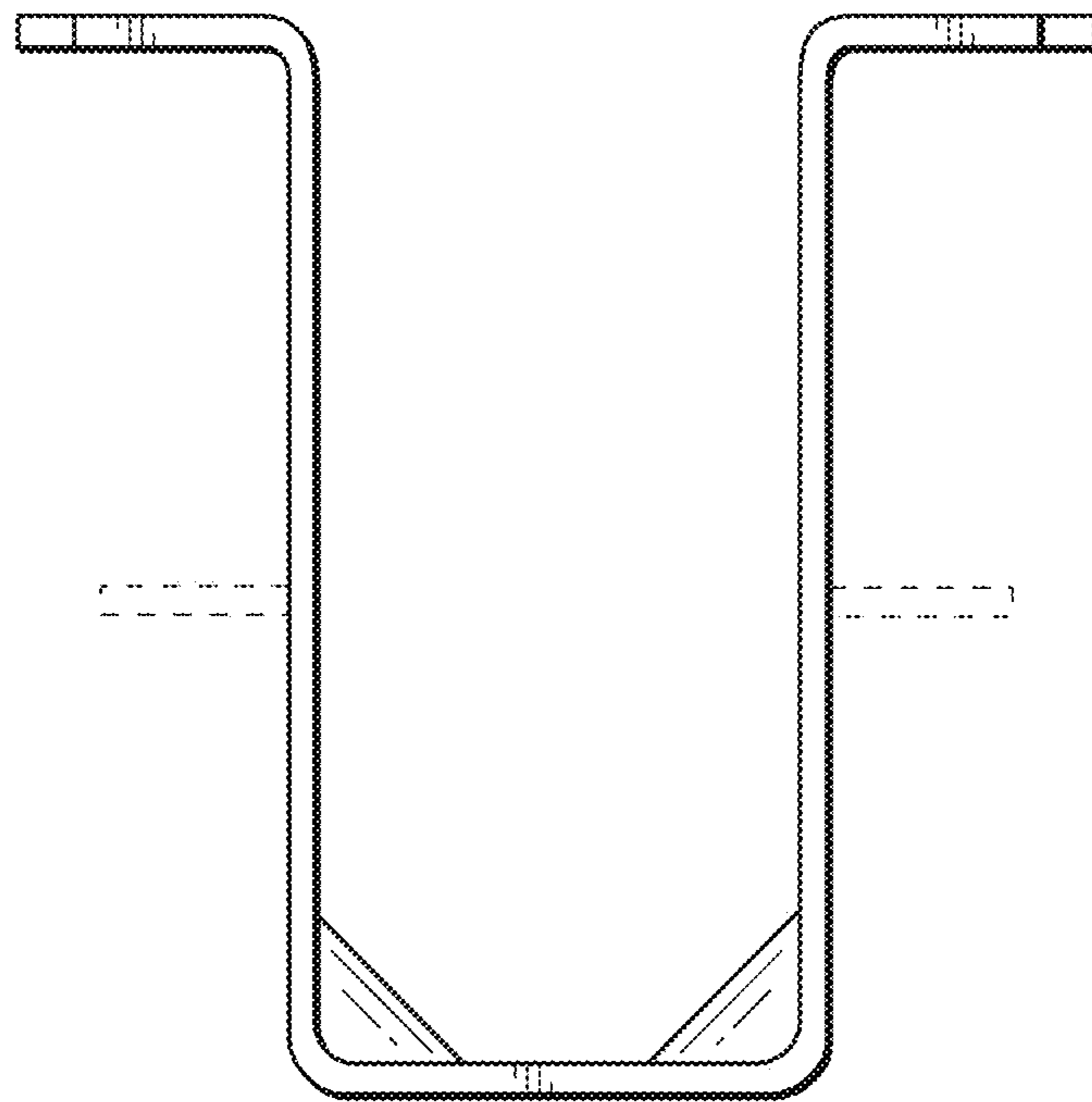


FIG. 4

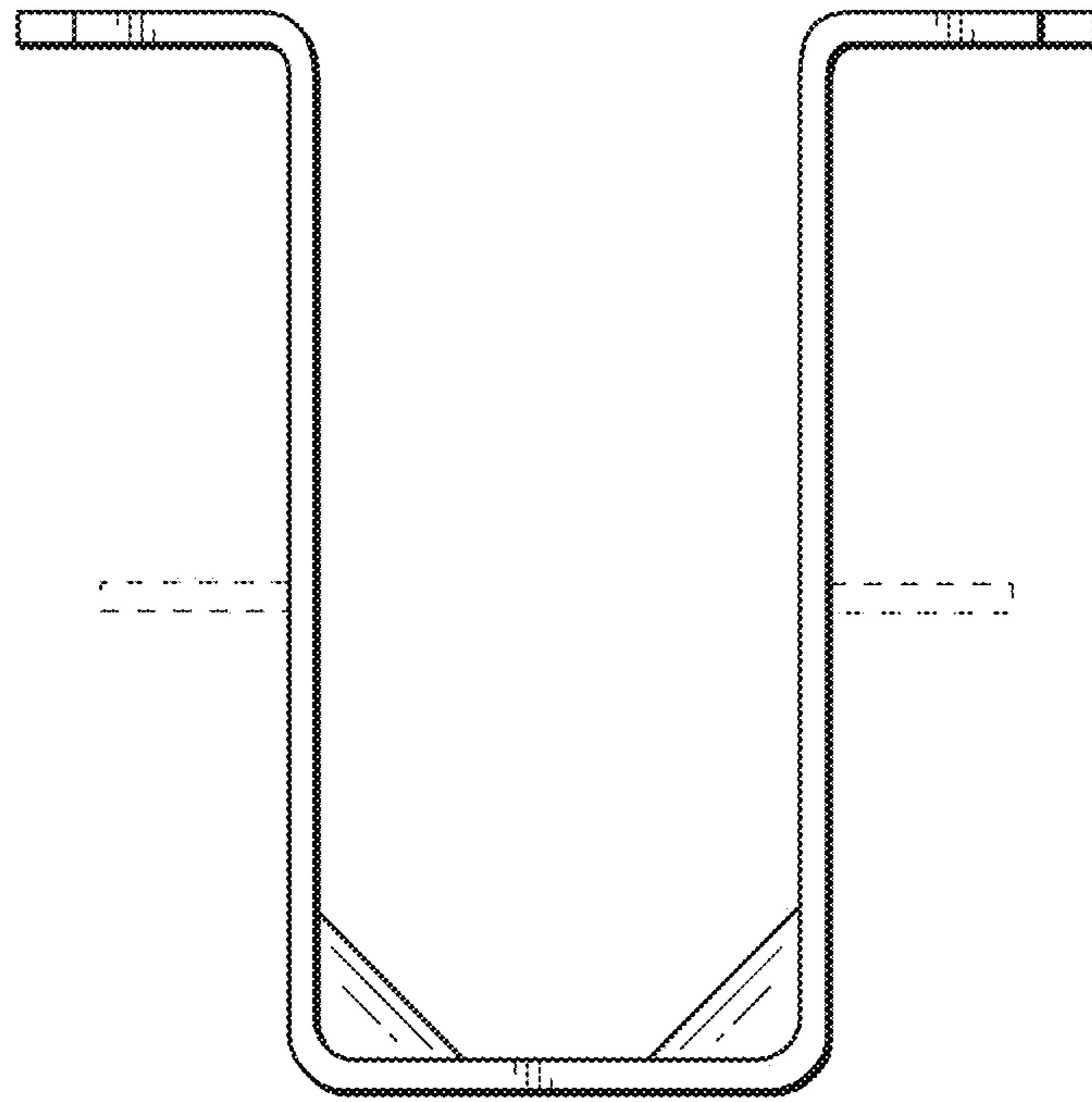


FIG. 5

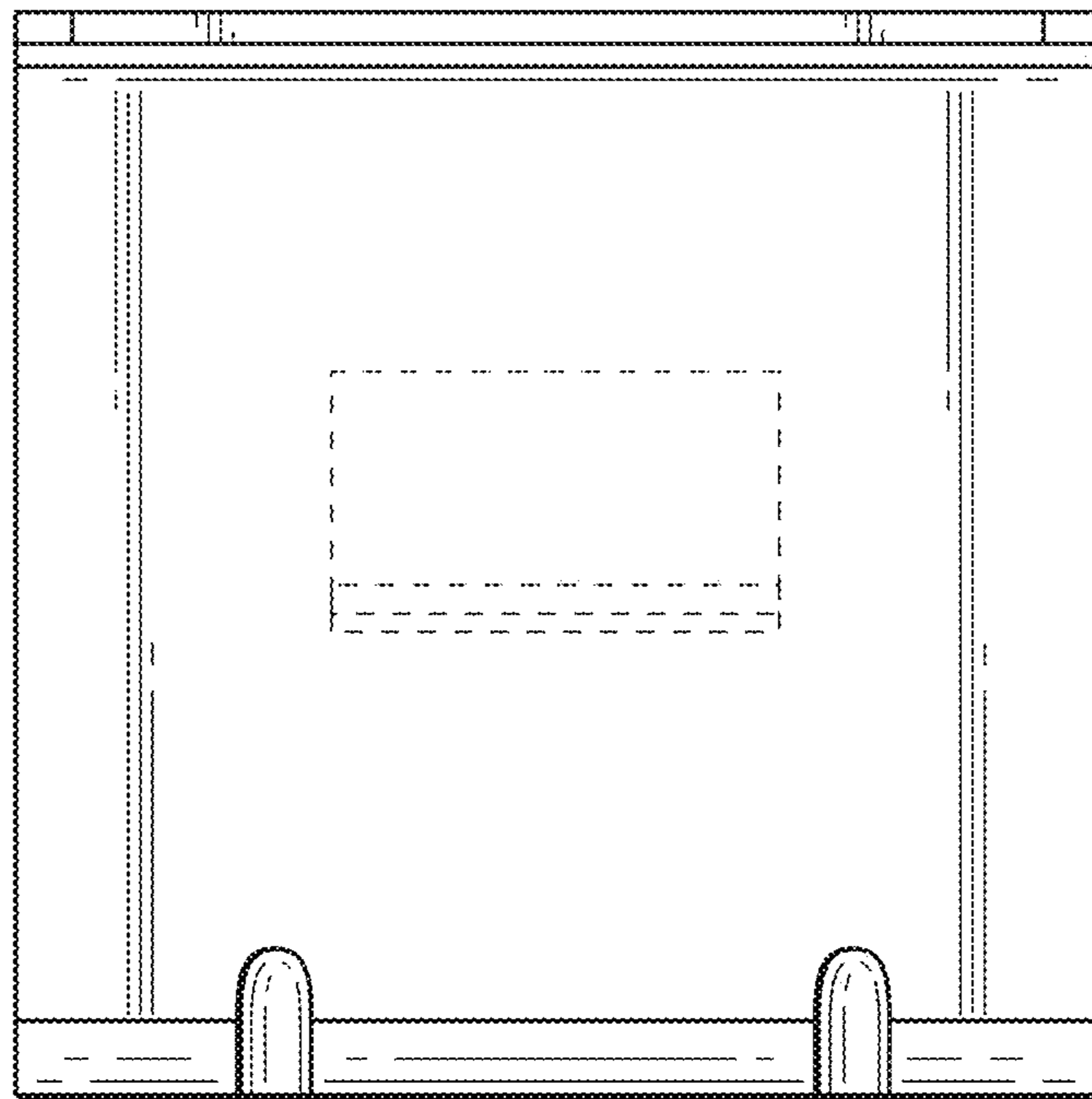


FIG. 6

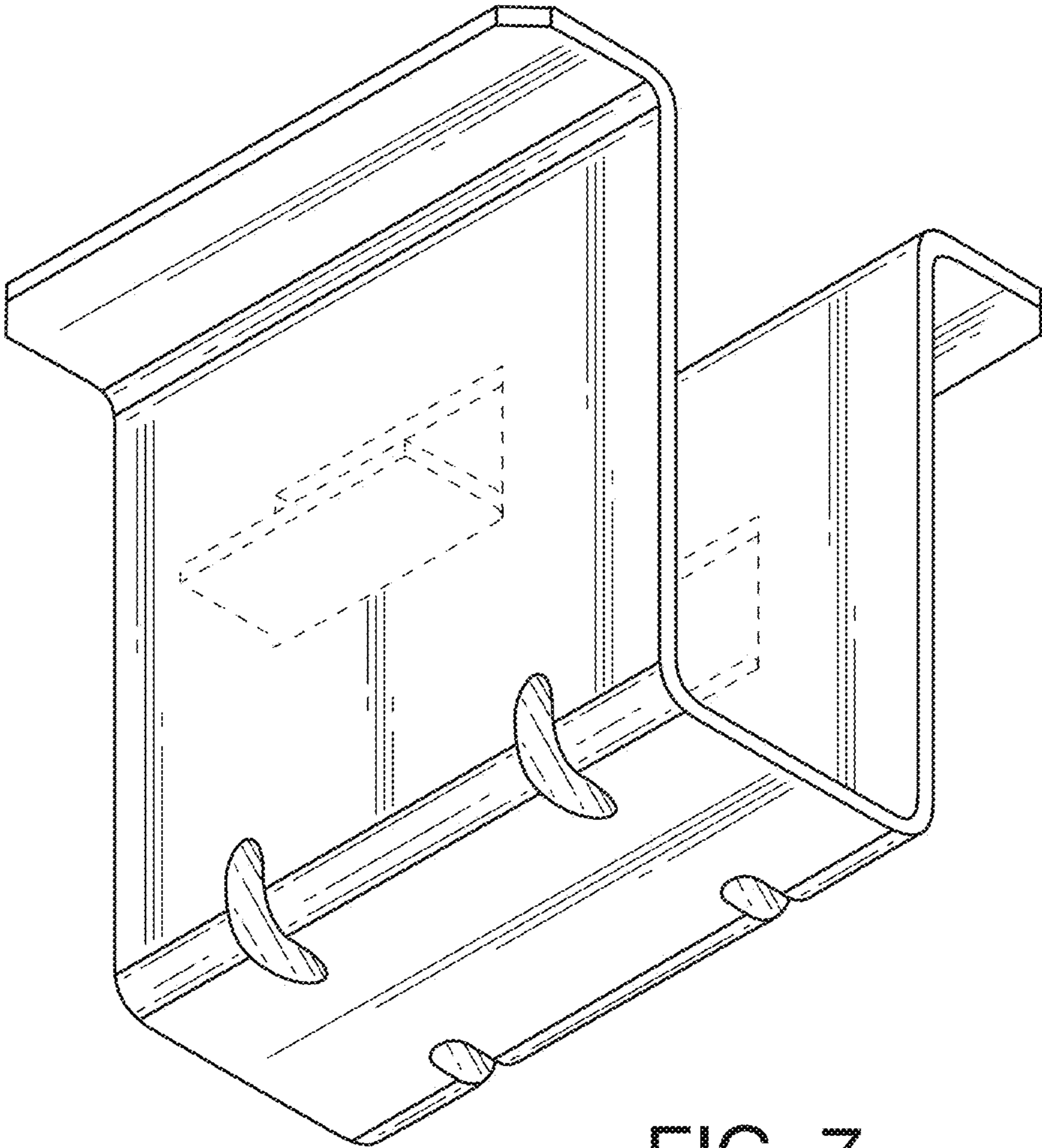


FIG. 7