



US00D894845S

(12) **United States Design Patent** (10) **Patent No.:** **US D894,845 S**
Bennett et al. (45) **Date of Patent:** **** Sep. 1, 2020**

(54) **CONTROLLER HOUSING**

(71) Applicant: **Logan Outdoor Products, LLC**, Hyde Park, UT (US)

(72) Inventors: **Brett Bennett**, Mantua, UT (US);
Roman Tinney, Providence, UT (US)

(73) Assignee: **Logan Outdoor Products, LLC**, Hyde Park, UT (US)

(**) Term: **15 Years**

(21) Appl. No.: **29/676,099**

(22) Filed: **Jan. 8, 2019**

(51) **LOC (12) Cl.** **13-03**

(52) **U.S. Cl.**
USPC **D13/162; D15/28**

(58) **Field of Classification Search**
USPC D15/28; D13/162, 164; D10/104.1;
D14/137, 335
CPC E21D 23/12; E21D 23/16; E21D 23/26;
E21D 2023/148; F16M 2200/02; F16M
11/01; G05B 11/01; G05B 19/02; H05B
2219/23039; H05K 5/0017
See application file for complete search history.

D651,220 S * 12/2011 Ohtonen D15/28
D663,701 S * 7/2012 Nathan D13/164
D710,398 S * 8/2014 Oeder D15/28
D710,399 S * 8/2014 Oeder D15/28
D710,400 S * 8/2014 Oeder D15/28
D719,984 S * 12/2014 Viertola D15/28
D726,778 S * 4/2015 Little D15/28
D734,780 S * 7/2015 Little D15/28
D735,680 S * 8/2015 Harrison D13/162
D748,065 S * 1/2016 Trochum D13/162
D754,613 S * 4/2016 Downs D10/96
D794,579 S * 8/2017 Peterson D13/162
D795,090 S * 8/2017 Menden D10/49
D822,516 S * 7/2018 Van Curen D10/104.1
D840,448 S * 2/2019 Vetter D15/138
D853,865 S * 7/2019 Menden D10/49

* cited by examiner

Primary Examiner — Mark A Goodwin
(74) *Attorney, Agent, or Firm* — Amardeep S. Grewal;
Gerard M. Donovan; Reed Smith LLP

(56) **References Cited**

U.S. PATENT DOCUMENTS

D394,842 S * 6/1998 Kellstedt, Jr. D13/162
D542,745 S * 5/2007 Barnes, Jr. D13/162
D564,972 S * 3/2008 Peterson D13/162
D587,286 S * 2/2009 Jurasz D15/28
D627,798 S * 11/2010 Berning D15/28
D627,800 S * 11/2010 Berning D15/28
D627,801 S * 11/2010 Berning D15/28
D627,802 S * 11/2010 Berning D15/28
D628,603 S * 12/2010 Berning D15/28
D650,815 S * 12/2011 Pellervo Viertola D15/28

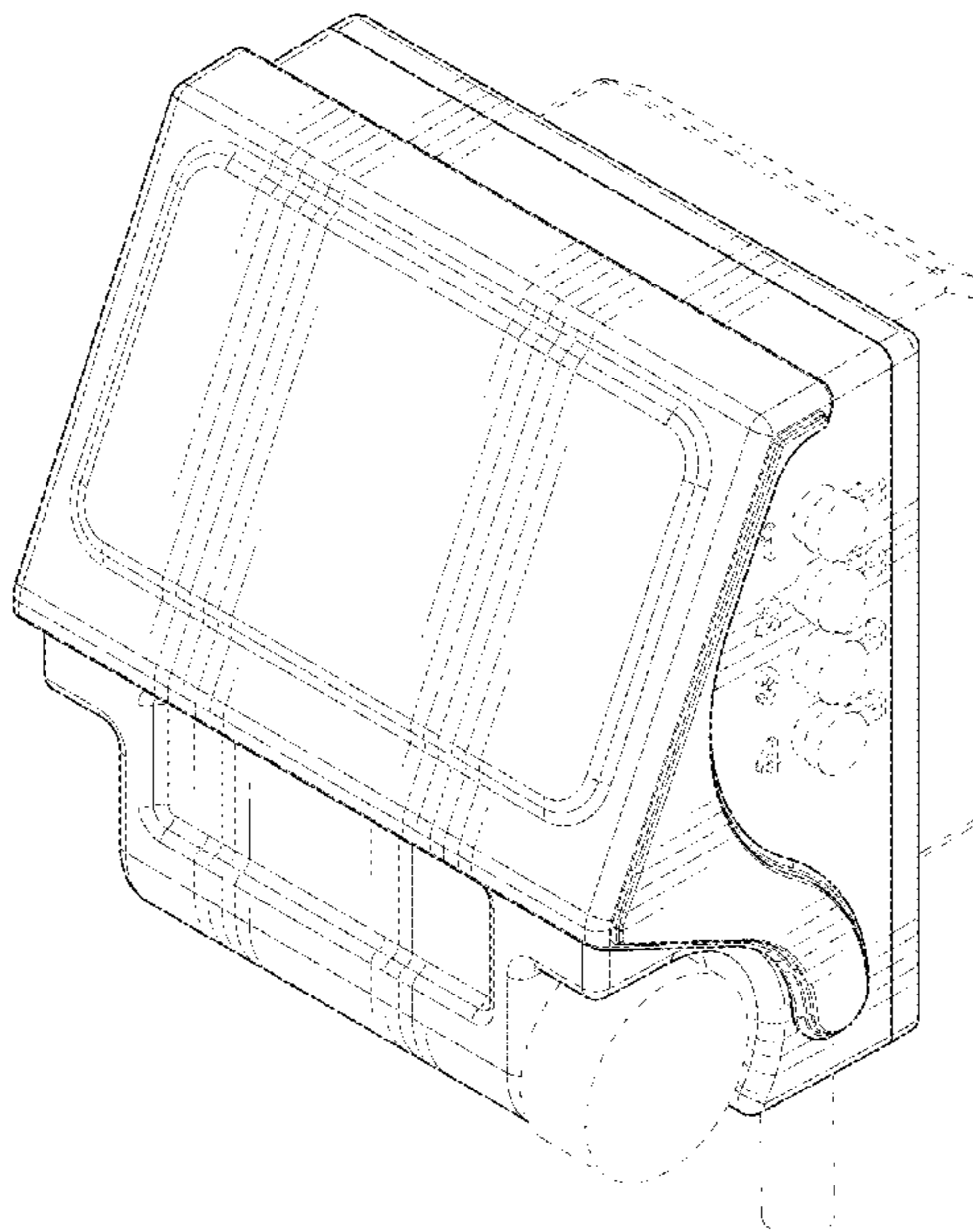
(57) **CLAIM**

The ornamental design for a controller housing, as shown and described.

DESCRIPTION

FIG. 1 is a front perspective view of a controller housing showing our new design;
FIG. 2 is a back perspective view;
FIG. 3 is a front view;
FIG. 4 is a back view;
FIG. 5 is a left side view;
FIG. 6 is a right side view;
FIG. 7 is a top view;
FIG. 8 is a bottom view; and,
FIG. 9 is a front perspective alternate view.
The dashed lines depict portions of the housing that form no part of the claimed design.

1 Claim, 9 Drawing Sheets



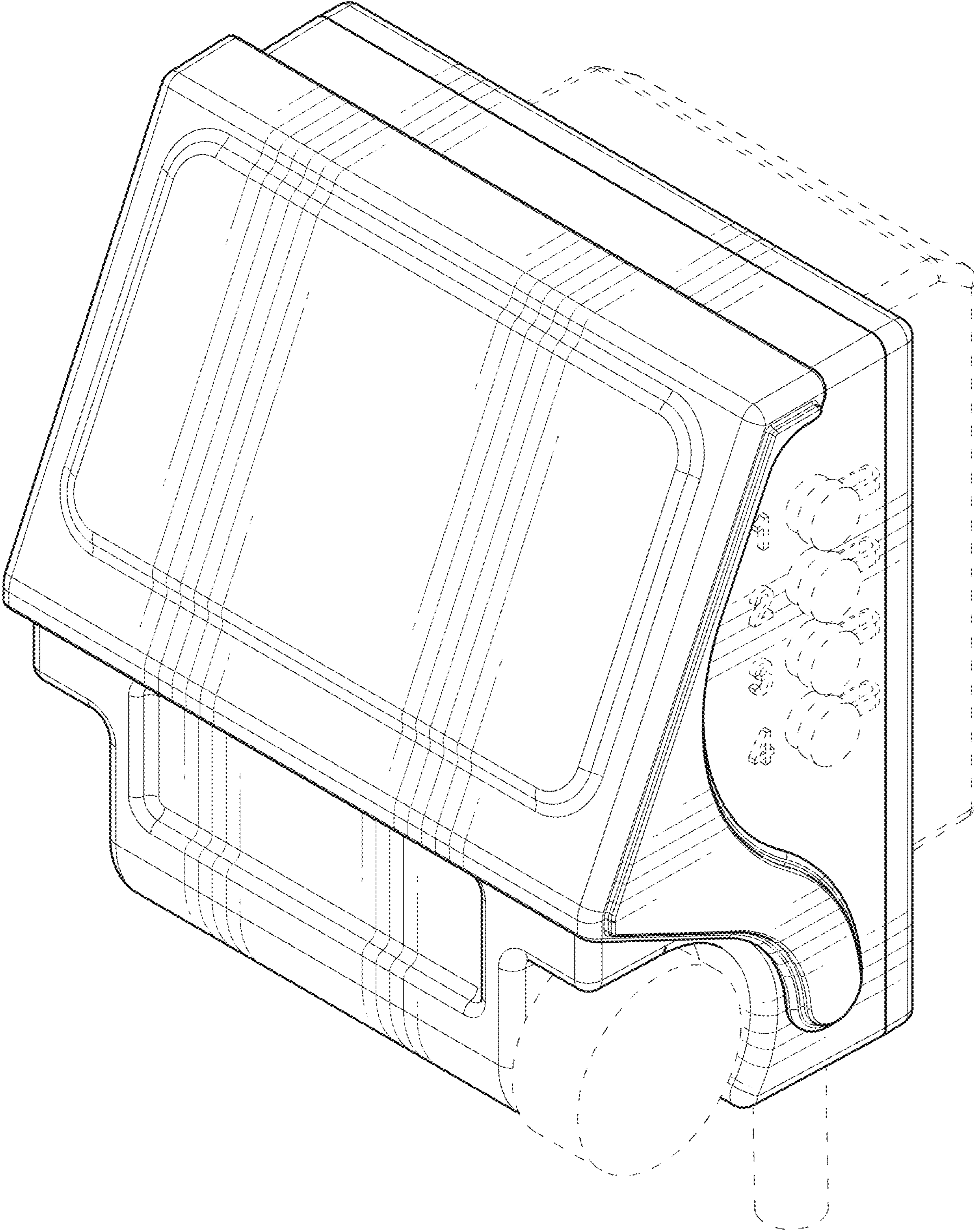


FIG. 1

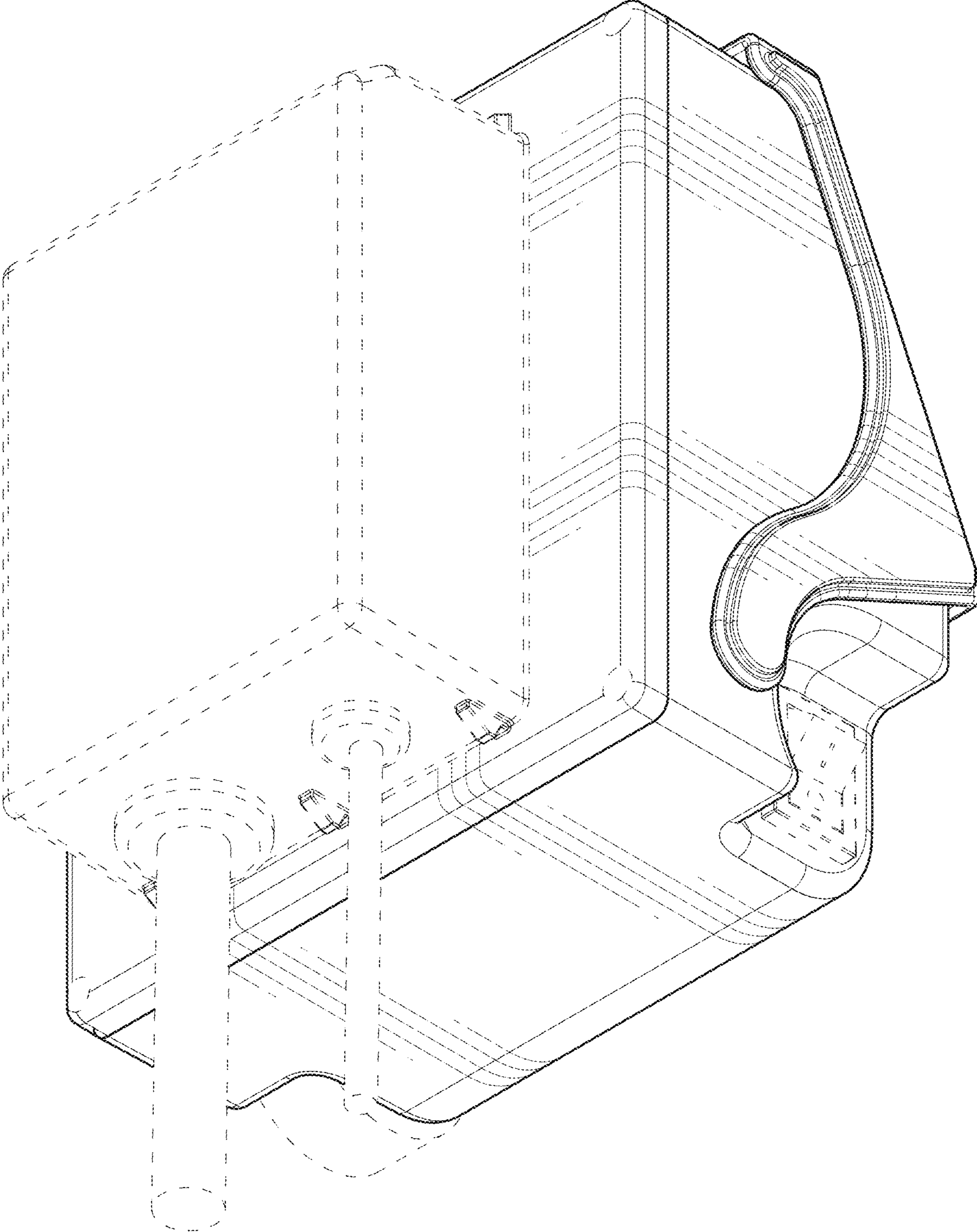


FIG. 2

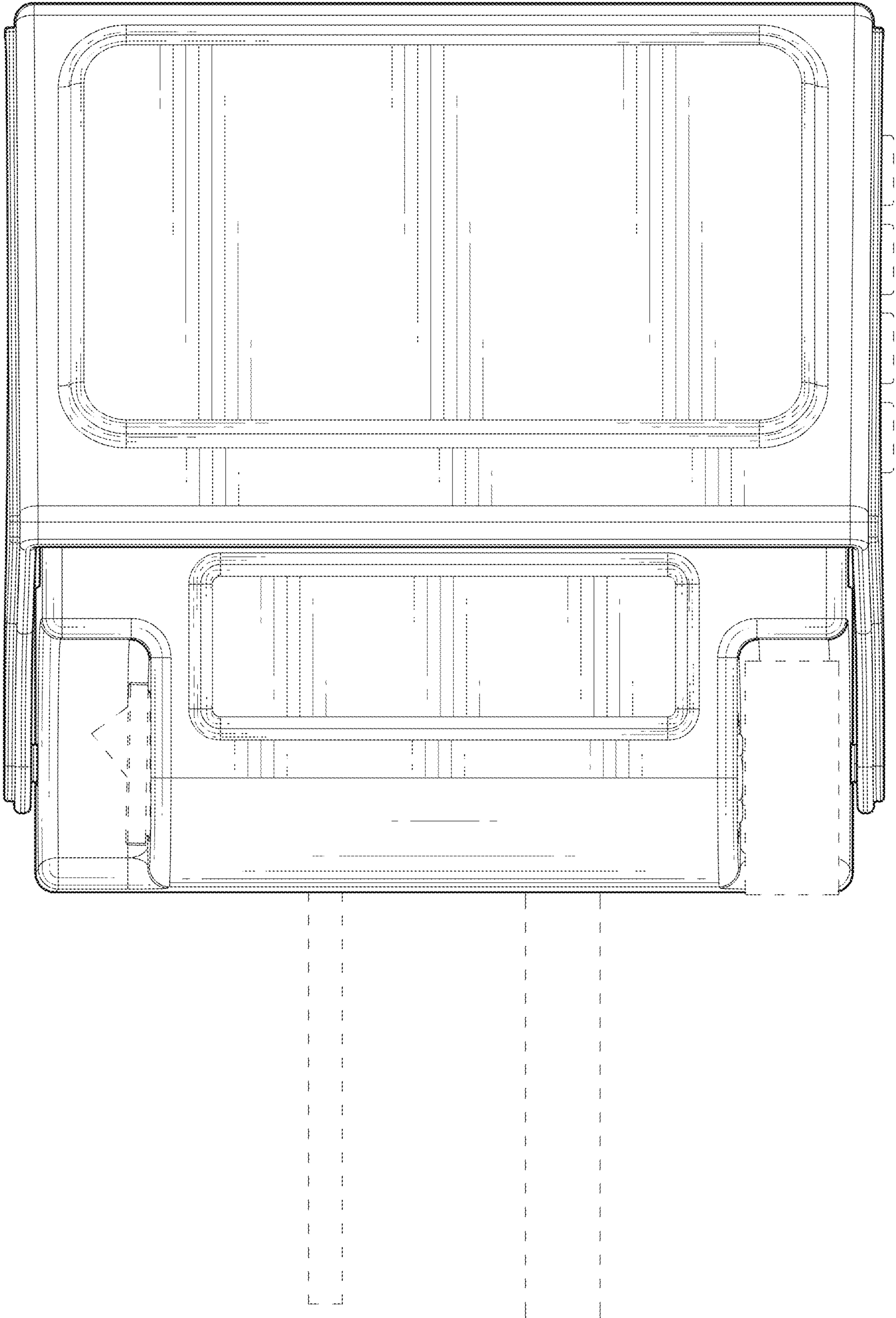


FIG. 3

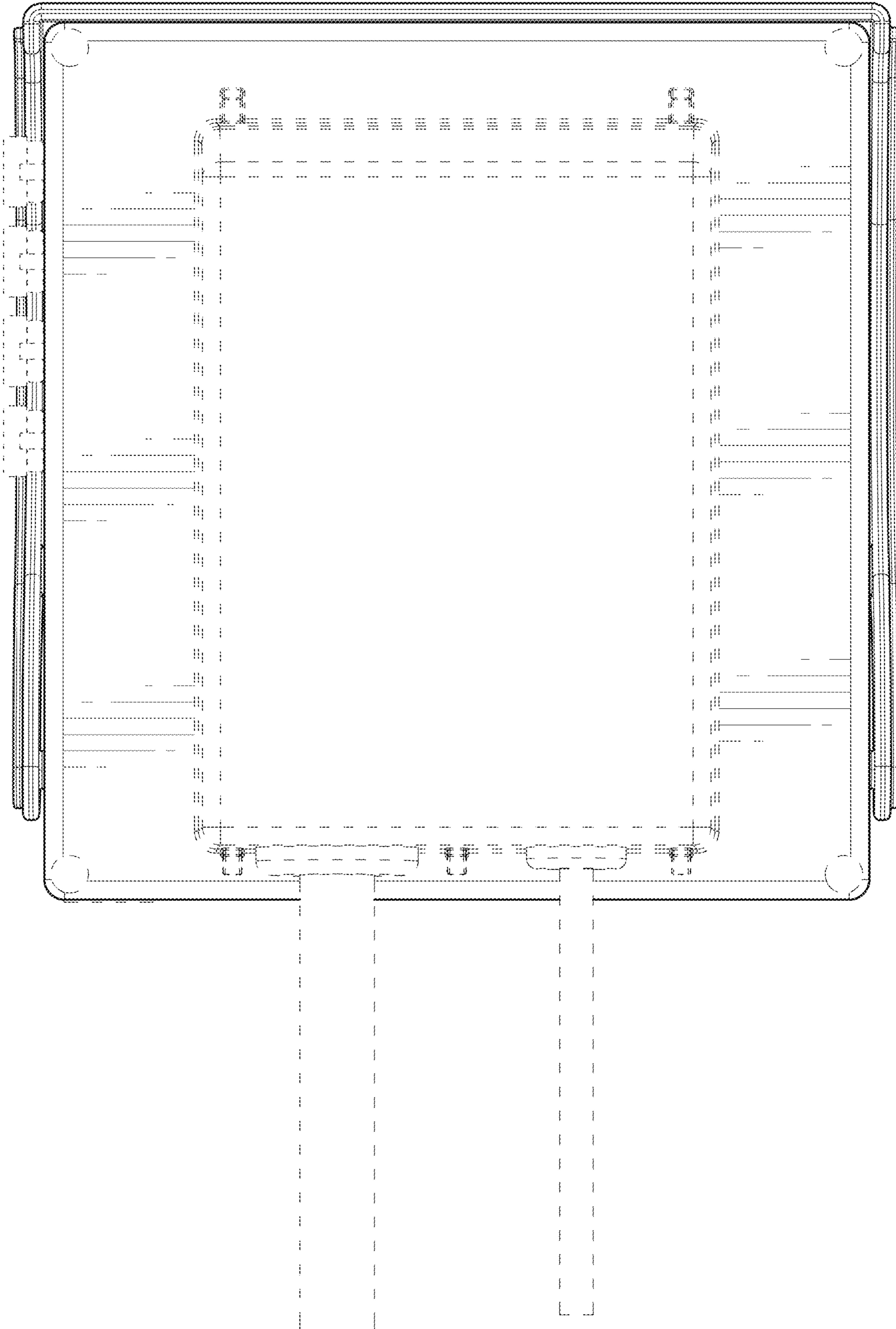


FIG. 4

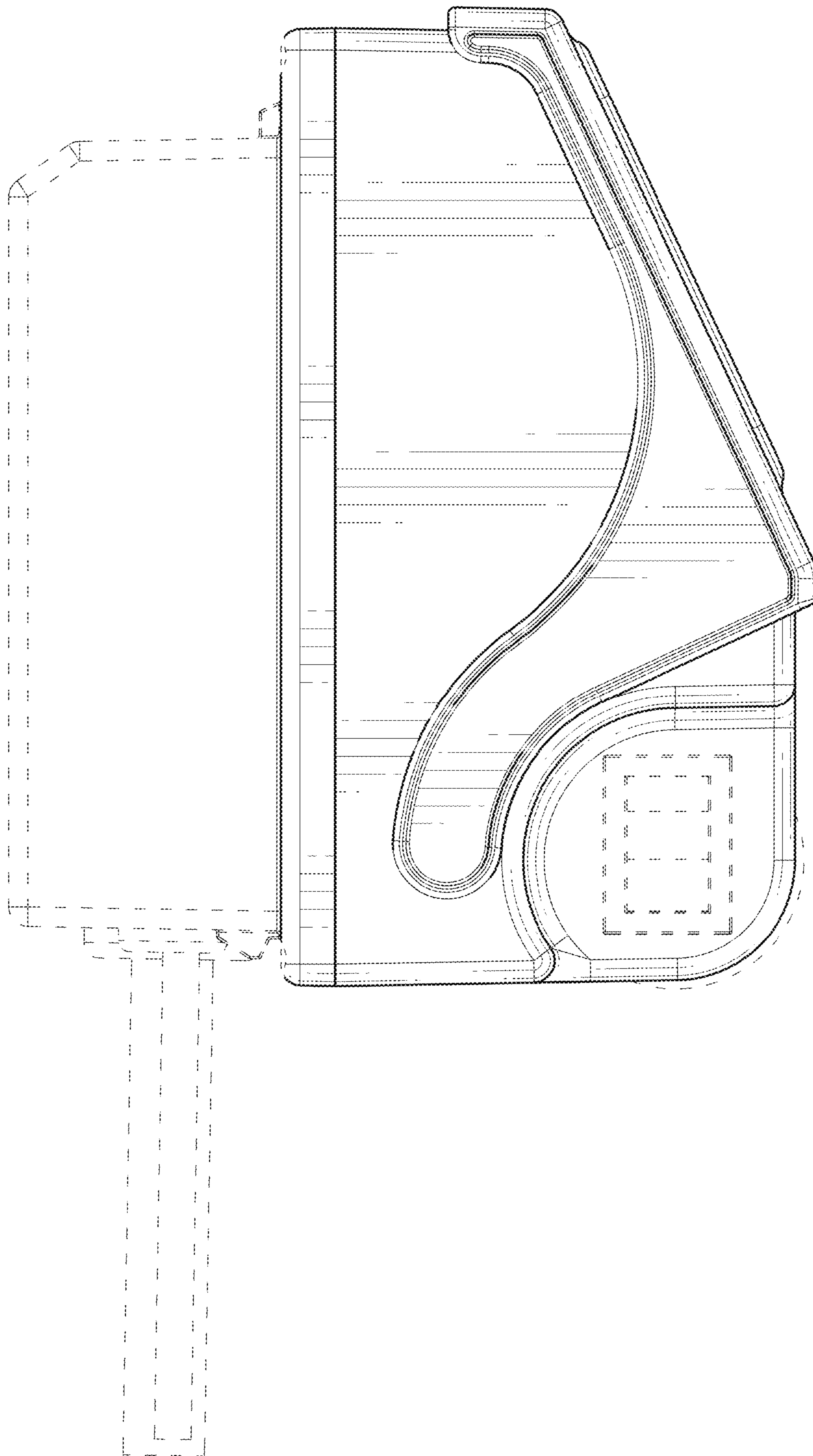


FIG. 5

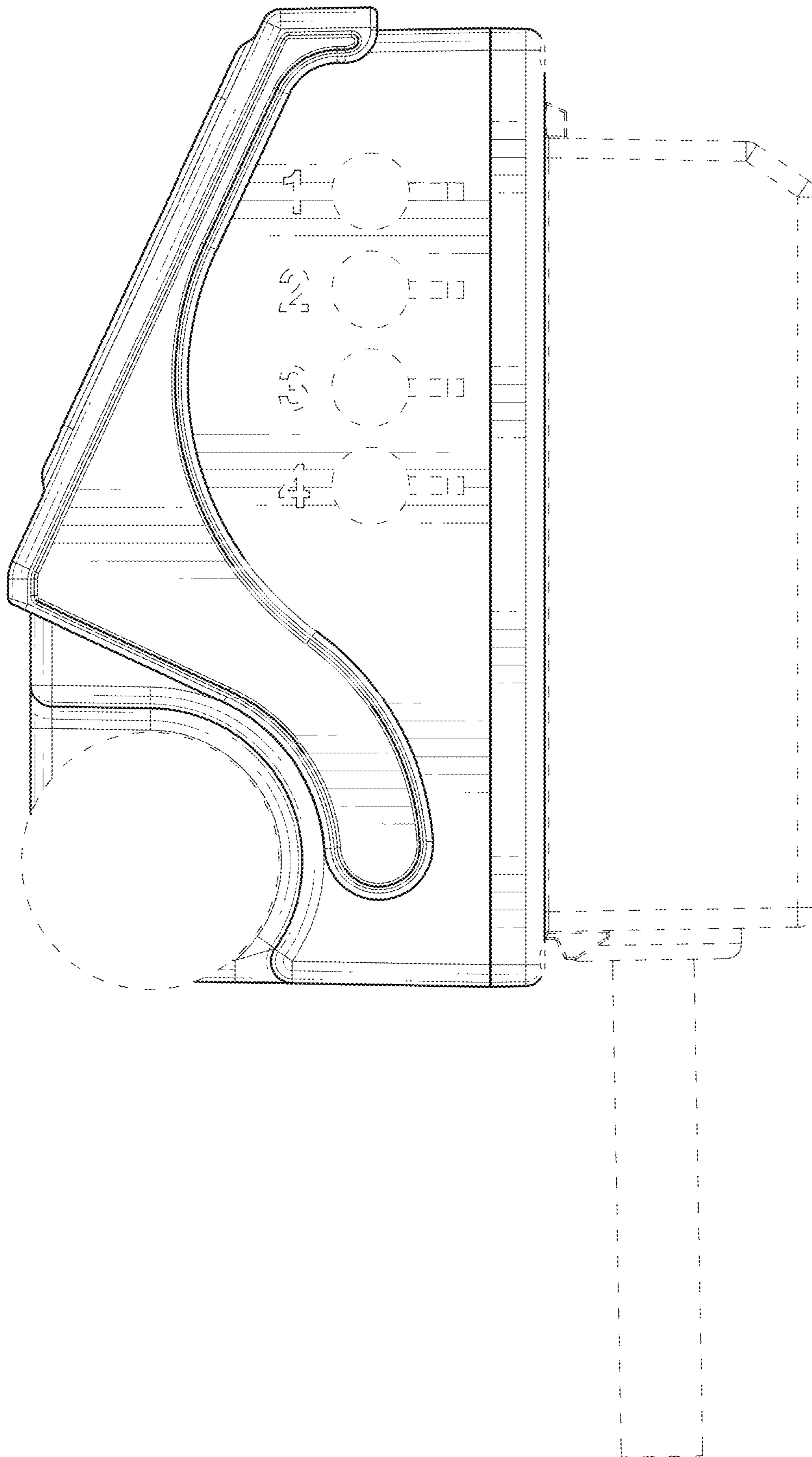


FIG. 6

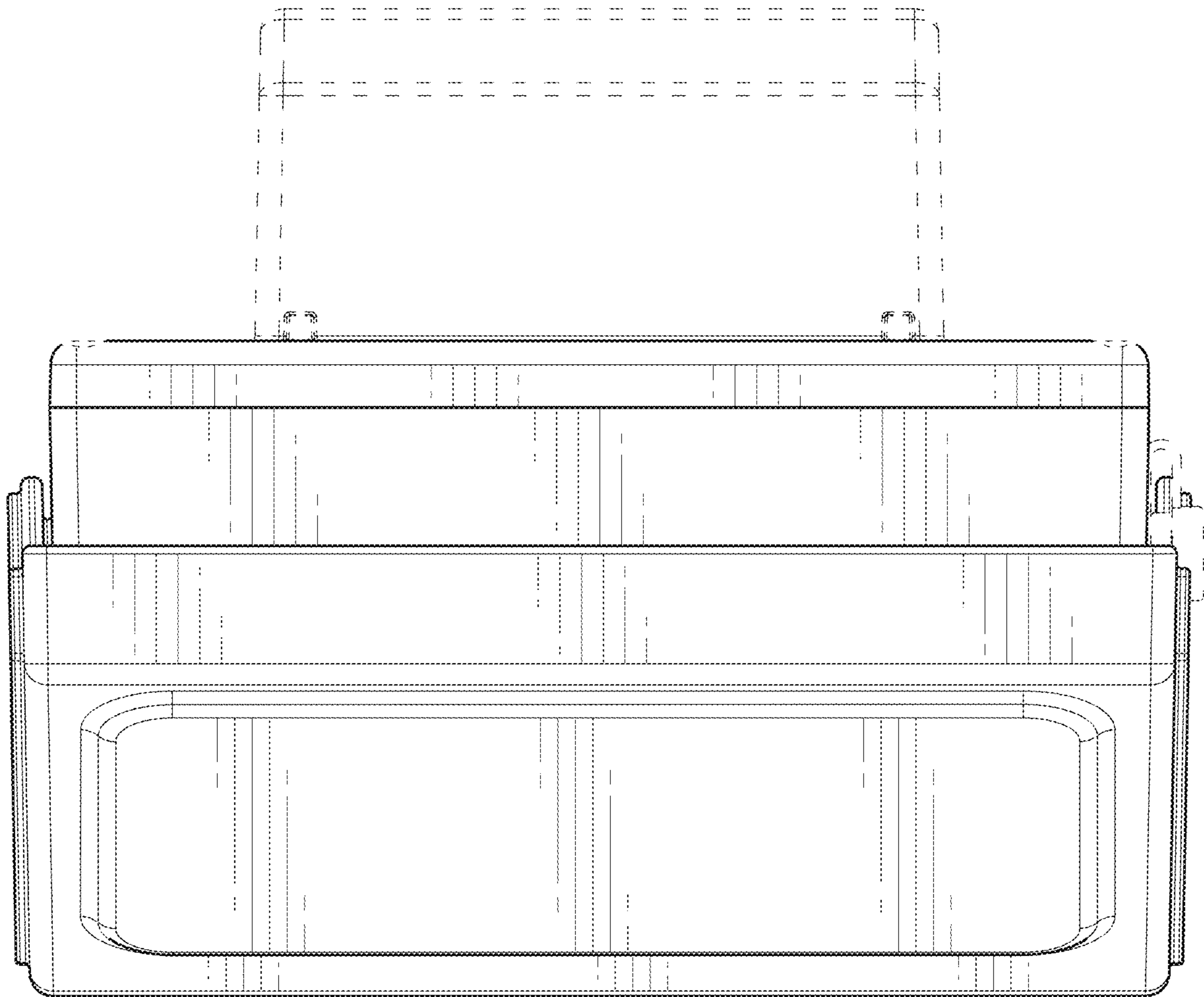


FIG. 7

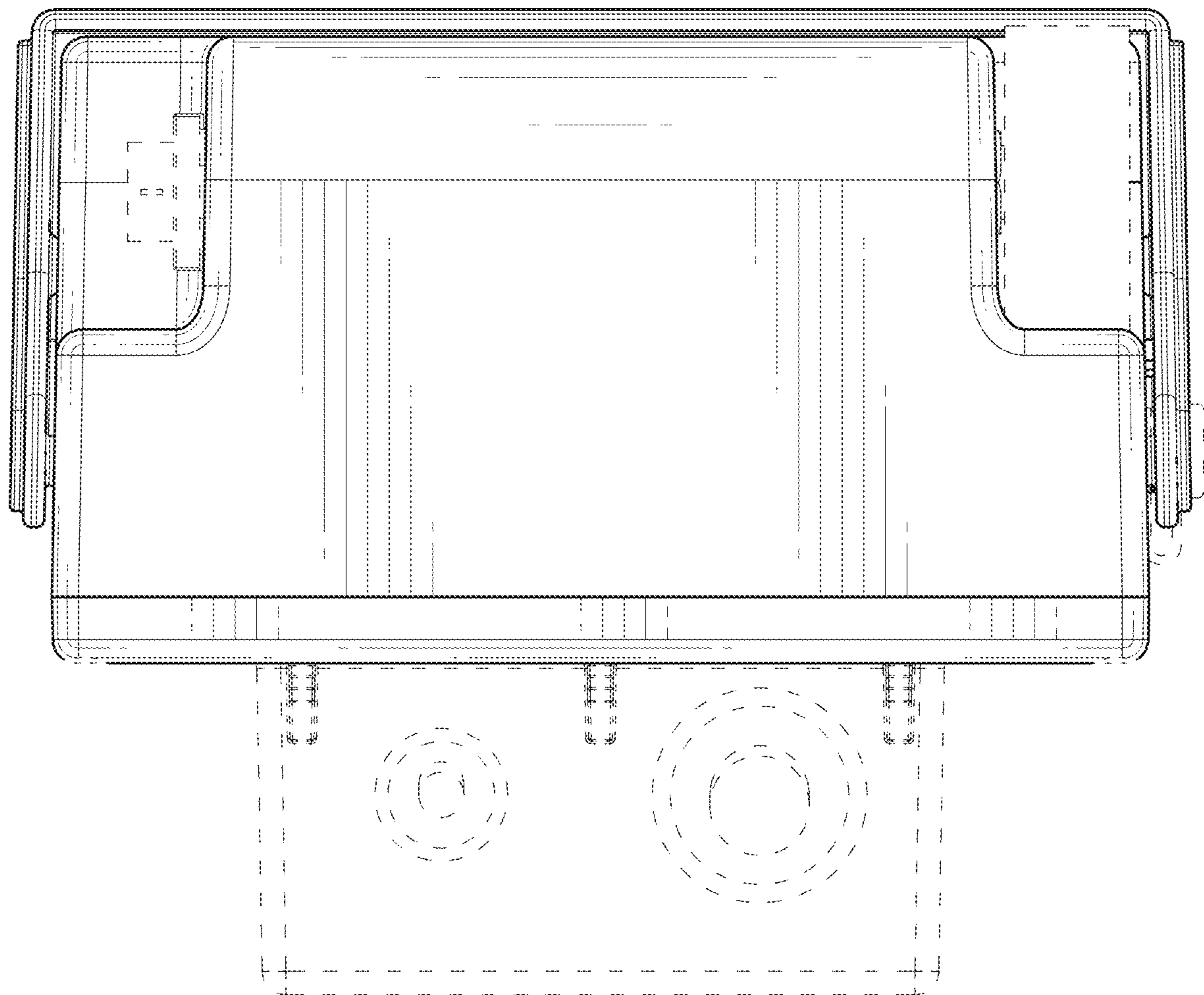


FIG. 8

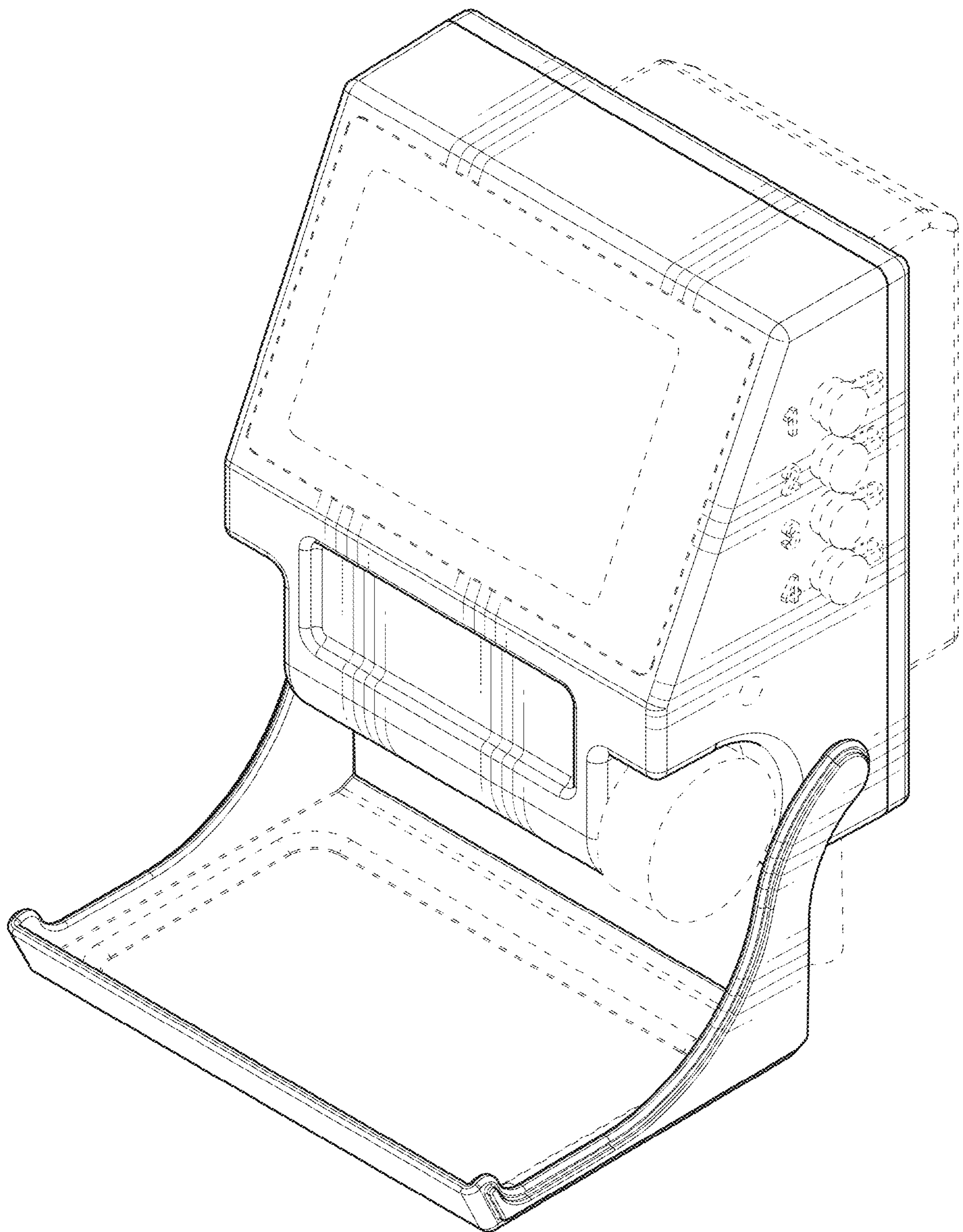


FIG. 9