



US00D894844S

(12) **United States Design Patent**
Boynton et al.

(10) **Patent No.:** **US D894,844 S**
(45) **Date of Patent:** **** Sep. 1, 2020**

- (54) **CONTROL PANEL**
- (71) Applicant: **Vivint, Inc.**, Provo, UT (US)
- (72) Inventors: **Stephen E. Boynton**, Pleasant Grove, UT (US); **Jeffrey L. Jones**, Elk Ridge, UT (US); **Max B. Crebs**, Salt Lake City, UT (US)
- (73) Assignee: **VIVINT, INC.**, Provo, UT (US)
- (**) Term: **15 Years**
- (21) Appl. No.: **29/632,220**
- (22) Filed: **Jan. 5, 2018**
- (51) **LOC (12) Cl.** **13-03**
- (52) **U.S. Cl.**
USPC **D13/162**
- (58) **Field of Classification Search**
USPC D13/162, 163, 168; D6/300, 308, 310; D14/126, 336, 341, 374
CPC .. G05B 19/0426; G05B 19/409; G05B 15/02; G06F 1/1601; G06F 3/0482; G06F 3/0489; G05D 23/1902; G05D 23/1905; G05D 23/1931; H05B 37/02
See application file for complete search history.

- (56) **References Cited**
U.S. PATENT DOCUMENTS
D335,963 S * 6/1993 Tracey D6/300
D610,355 S * 2/2010 Chigira D14/374
D618,241 S * 6/2010 Akana D14/374
D661,266 S * 6/2012 Laube D14/126
D691,979 S * 10/2013 Park D14/126
D694,195 S * 11/2013 Gammon D13/162

- 8,802,981 B2 * 8/2014 Wallaert F24F 11/00 174/58
- D727,271 S * 4/2015 Shi D13/162
- D727,857 S * 4/2015 Acera D13/162
- D728,560 S * 5/2015 Seoc D14/341
- D734,179 S * 7/2015 Golden D10/50
- D737,697 S * 9/2015 Bhattacharya D10/50
- D741,269 S * 10/2015 Bhattacharya D10/50
- D754,655 S * 4/2016 Groene D14/341
- D755,783 S * 5/2016 Shi D14/336
- D760,718 S * 7/2016 Wallace D14/374
- D784,269 S * 4/2017 Bhattacharya D13/162
- D784,270 S * 4/2017 Bhattacharya D13/162
- 9,891,664 B2 * 2/2018 Kim G06F 1/1626
- D834,541 S * 11/2018 You D13/168
- 2014/0153176 A1 * 6/2014 Ashcraft G06F 1/1656 361/679.21
- 2016/0327300 A1 * 11/2016 Ribbich F24F 11/30

* cited by examiner

Primary Examiner — Selina Sikder
(74) *Attorney, Agent, or Firm* — Dorsey & Whitney LLP

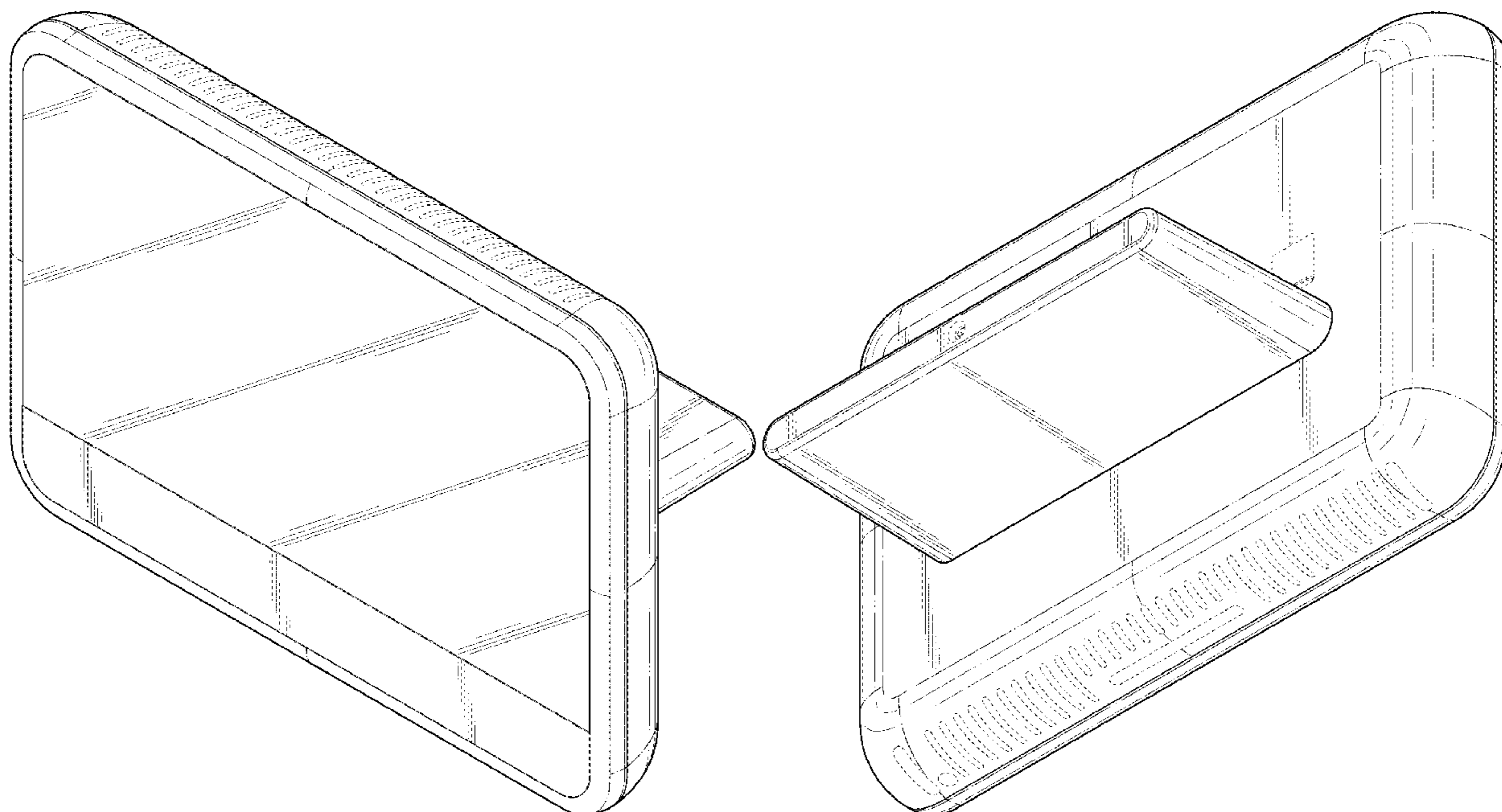
(57) **CLAIM**

The ornamental design for a control panel, as shown and described.

DESCRIPTION

FIG. 1 is a top perspective view of a control panel;
FIG. 2 is a bottom, rear perspective view thereof
FIG. 3 is a front view thereof;
FIG. 4 is a rear view thereof;
FIG. 5 is a right side view thereof;
FIG. 6 is a left side view thereof;
FIG. 7 is a top view thereof; and,
FIG. 8 is a bottom view thereof.

1 Claim, 7 Drawing Sheets



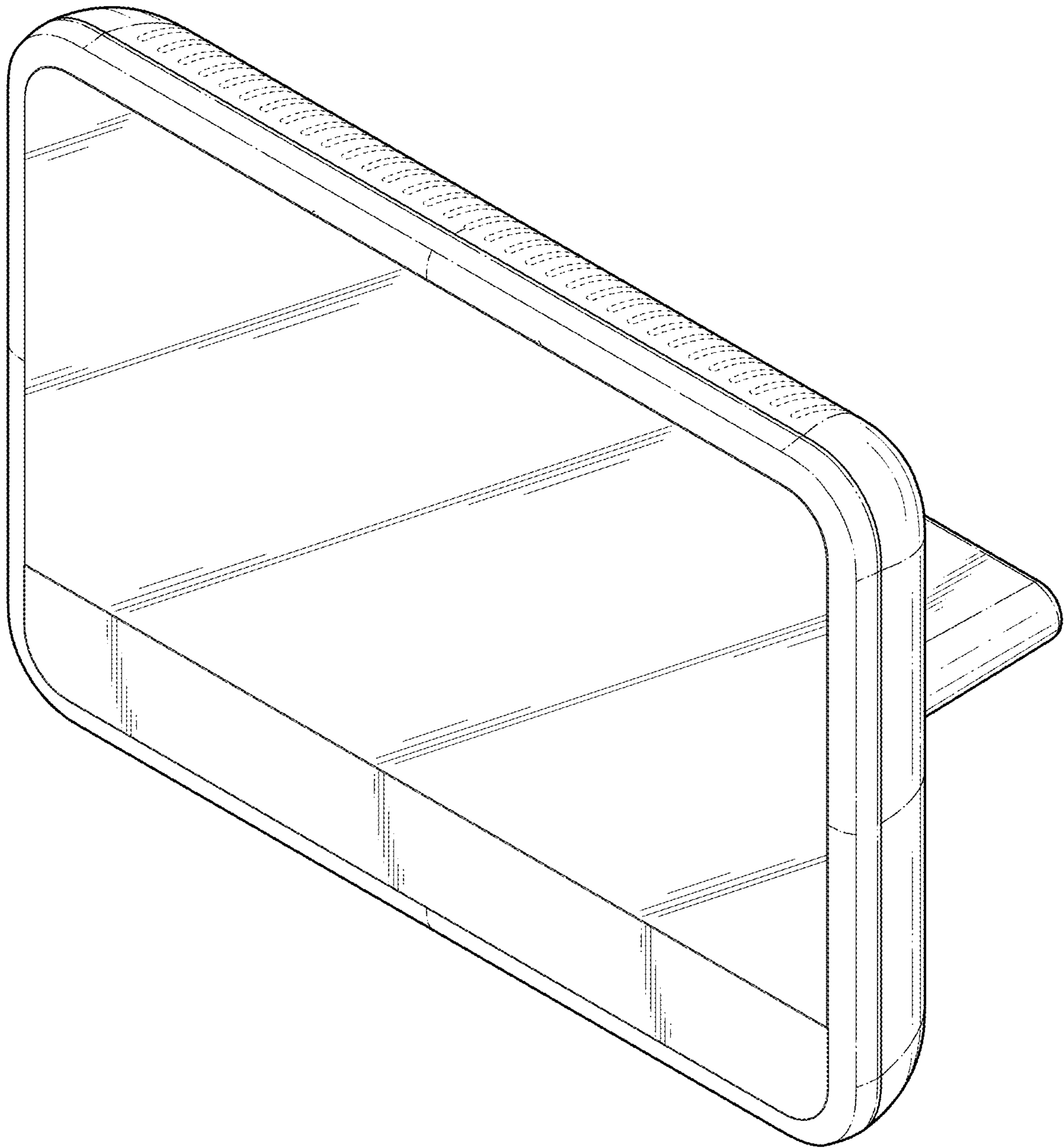


FIG. 1

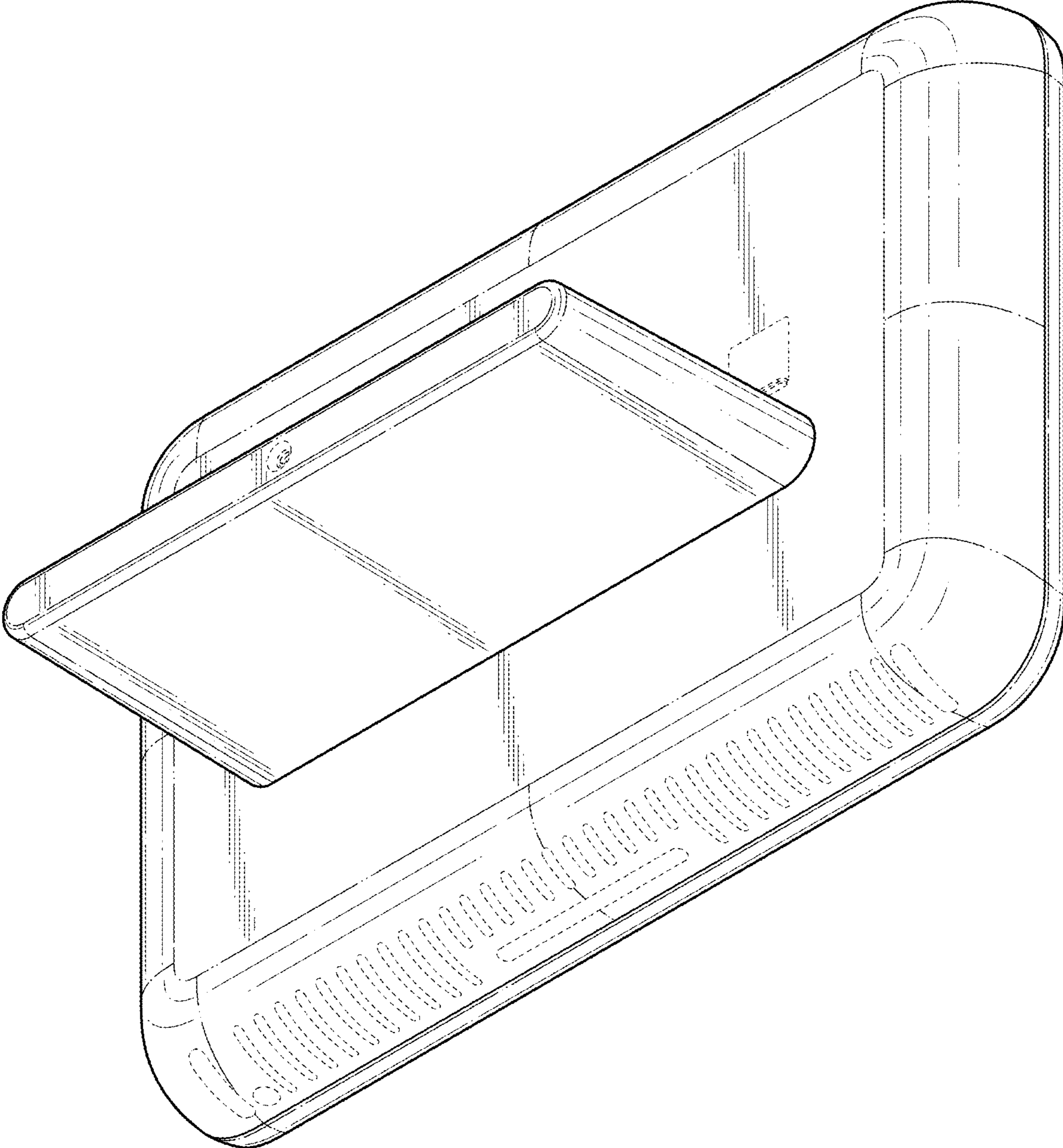


FIG. 2

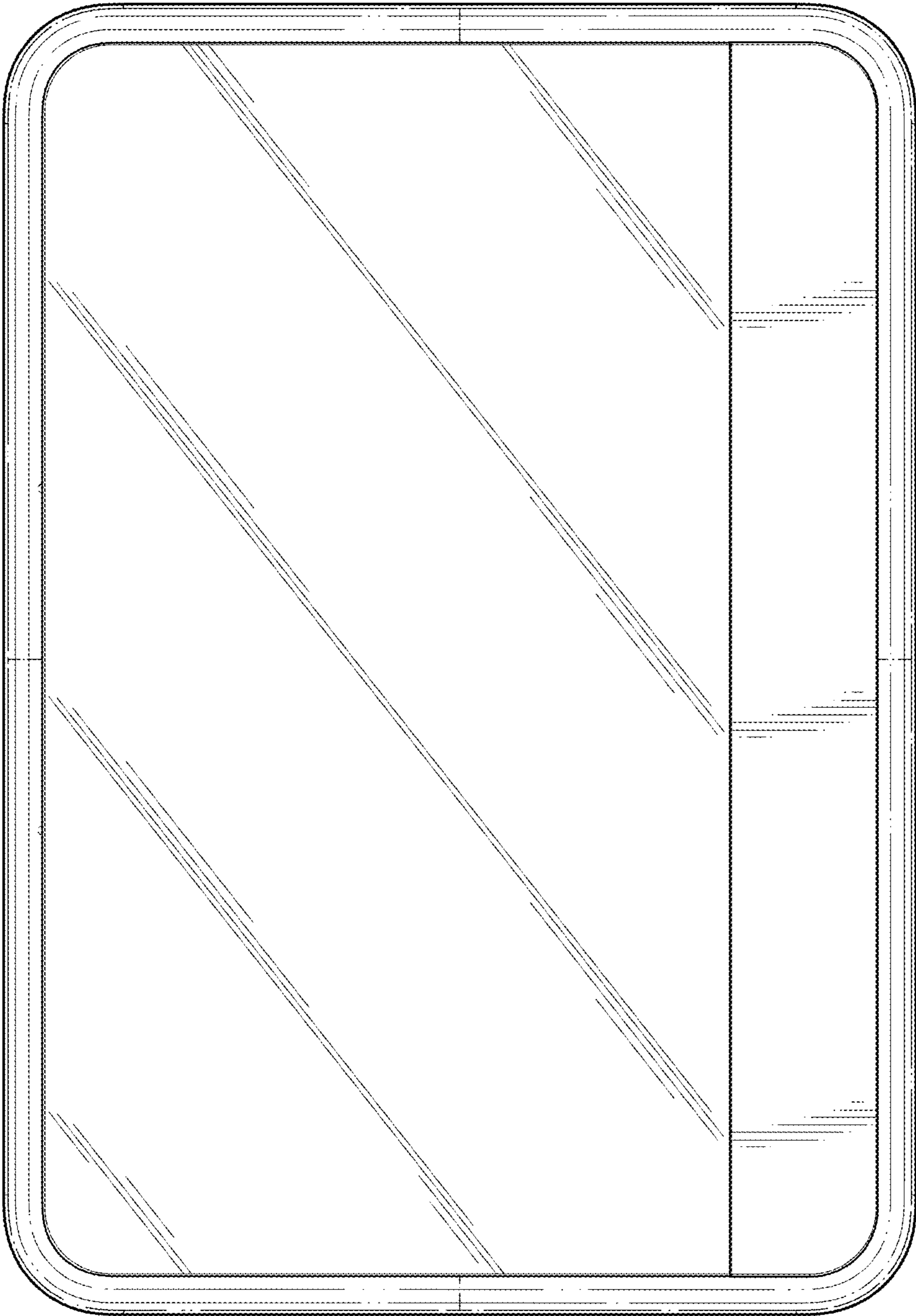


FIG. 3

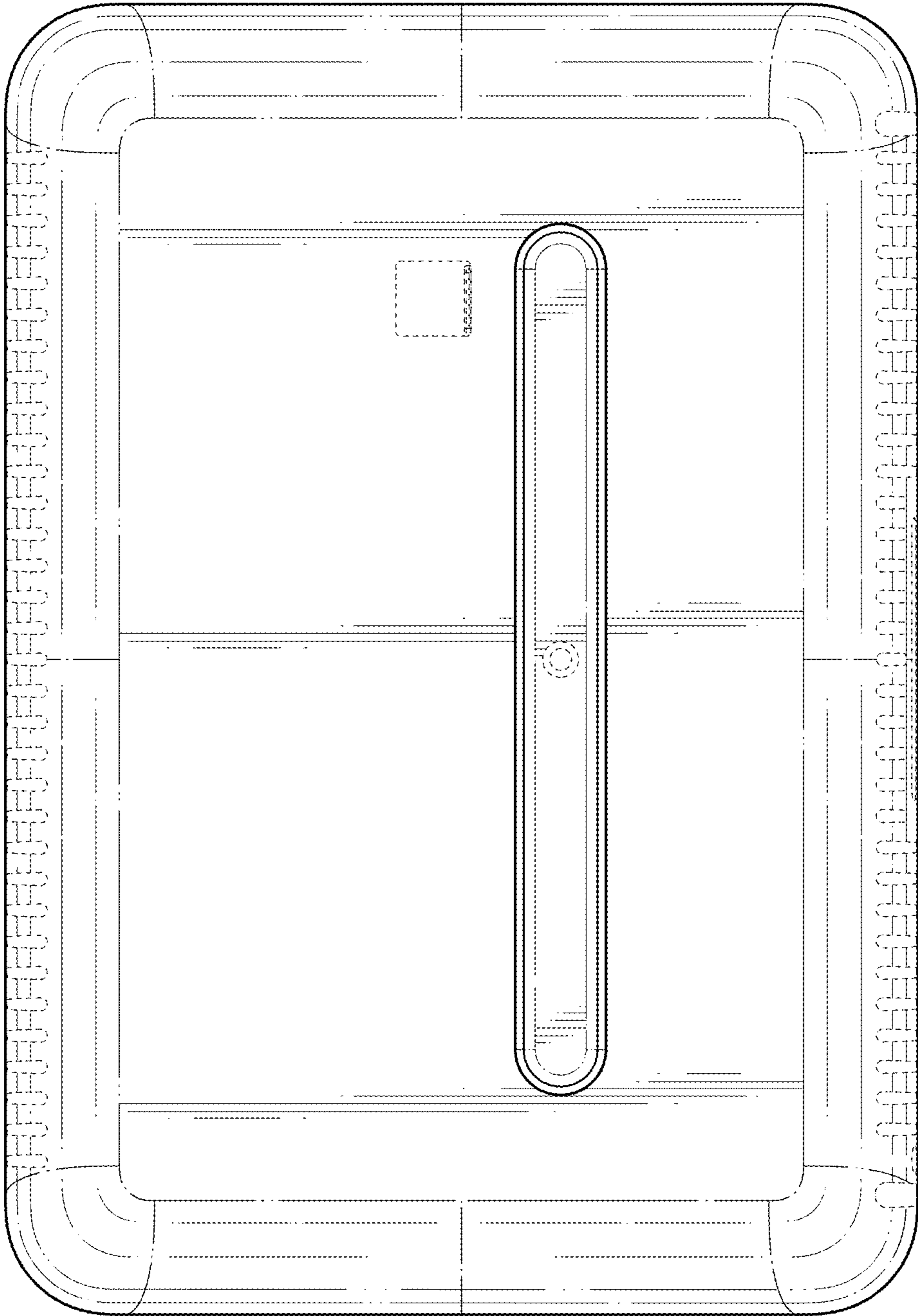


FIG. 4

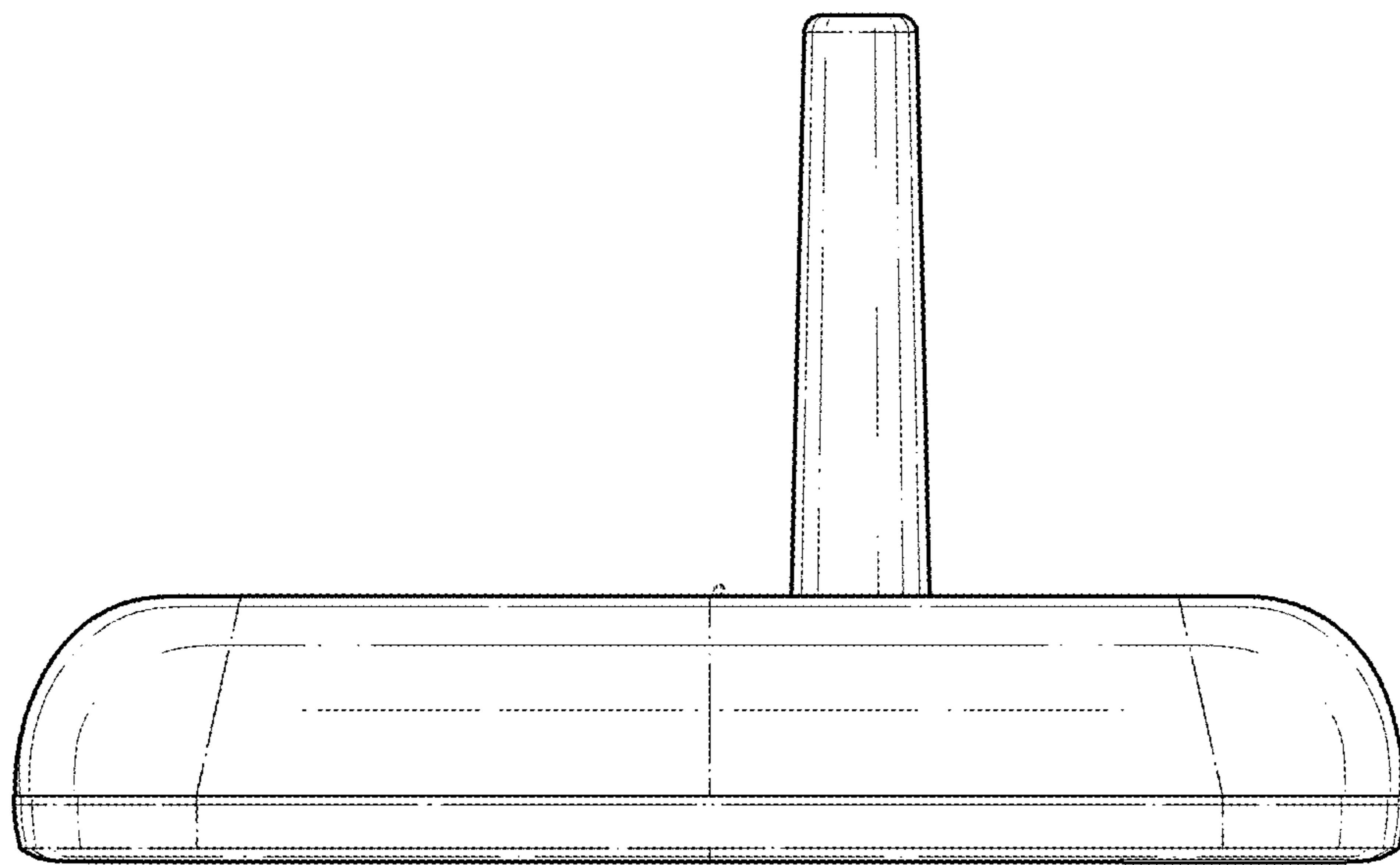


FIG. 6

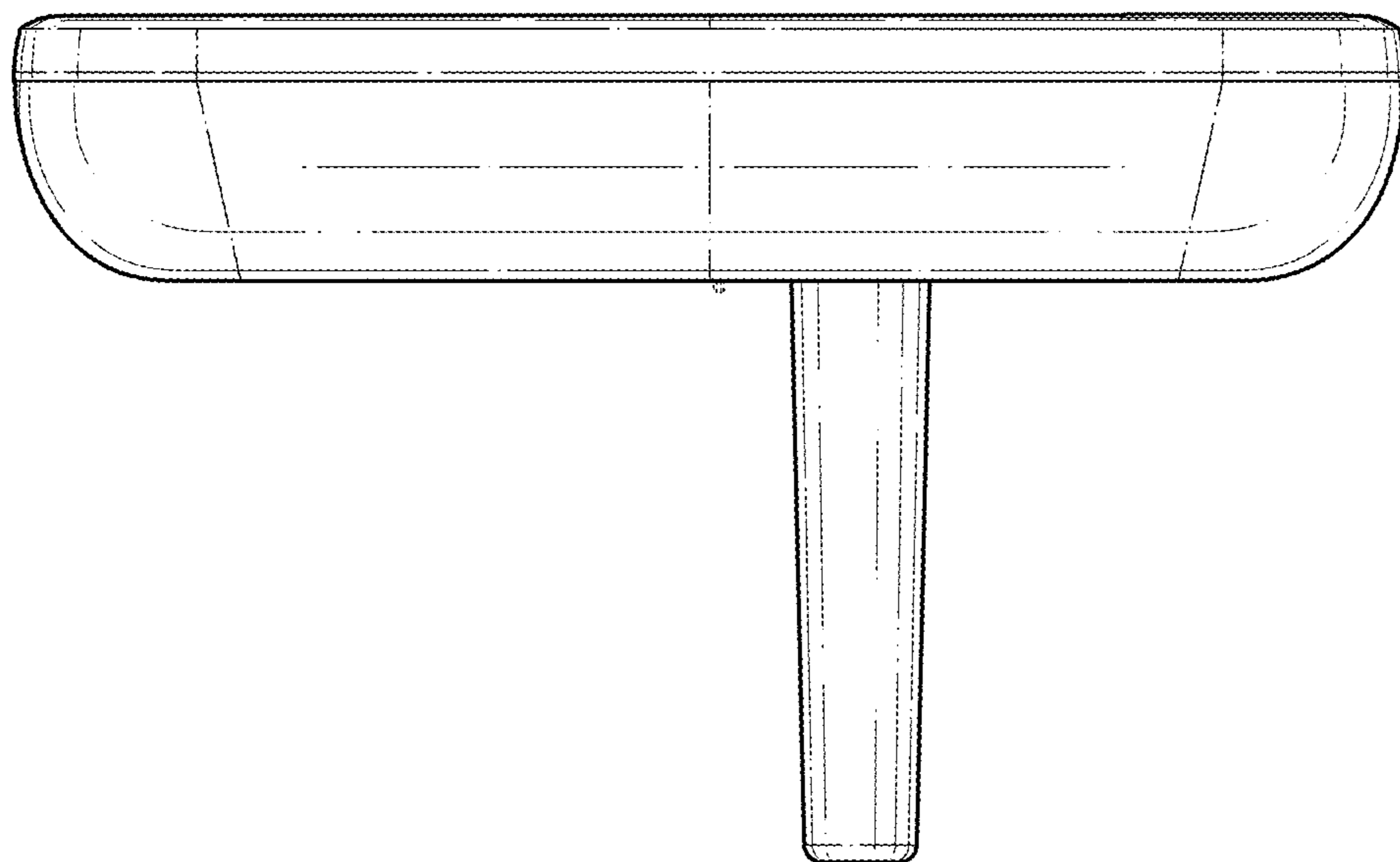


FIG. 5

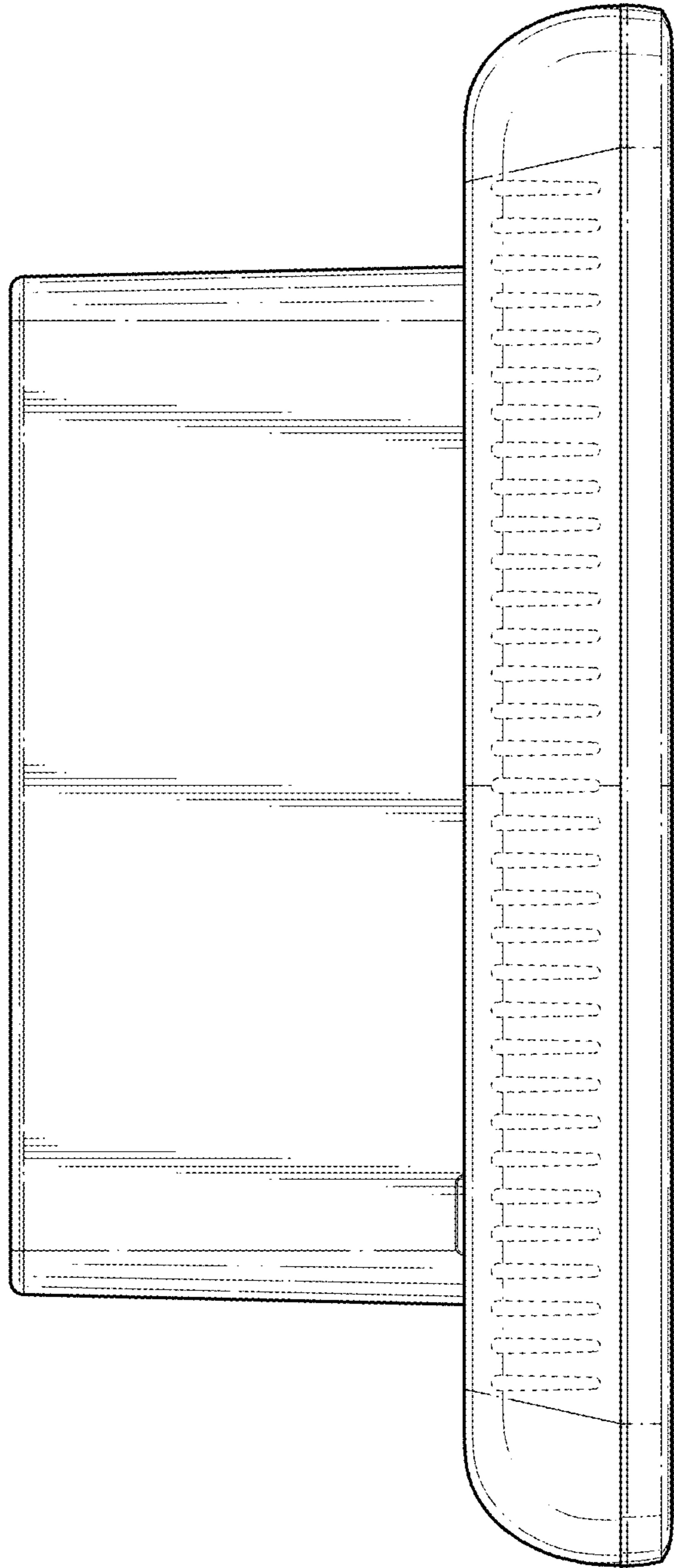


FIG. 7

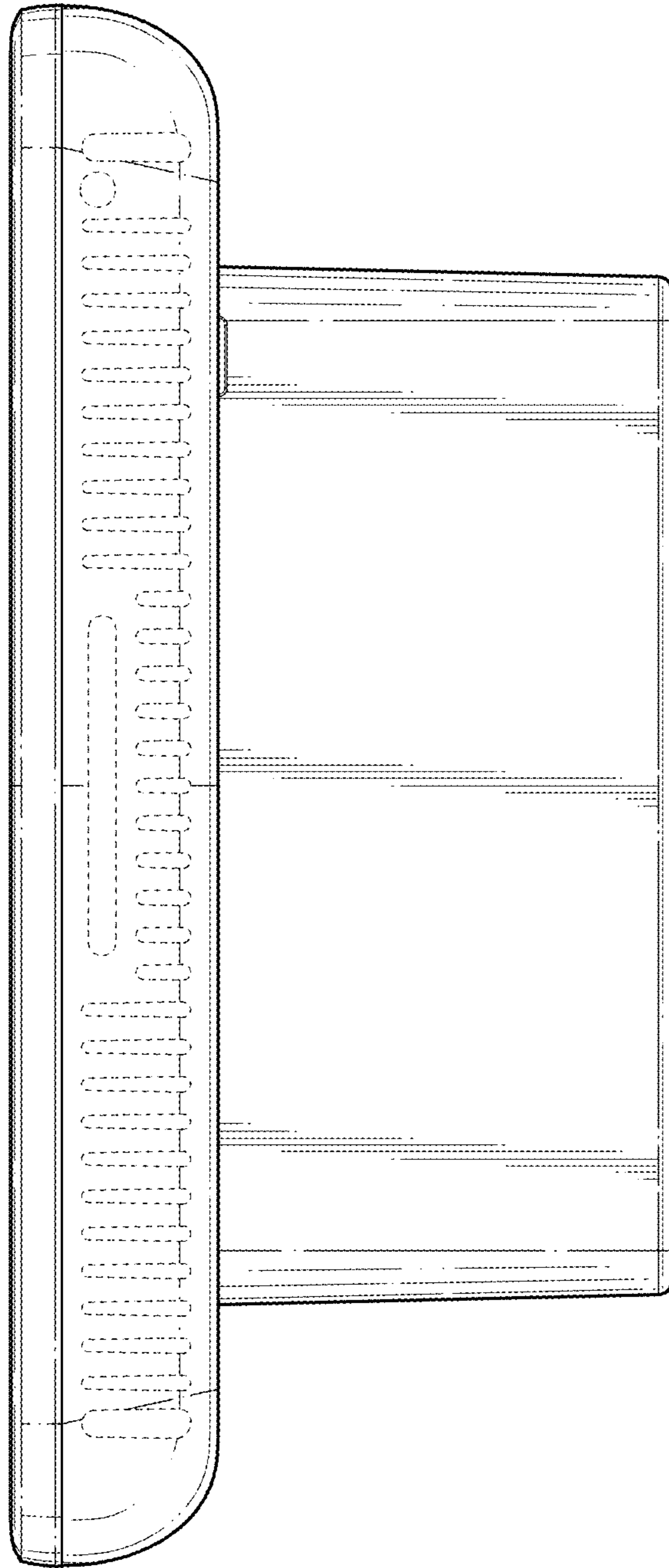


FIG. 8