



US00D894843S

(12) **United States Design Patent**
Shen

(10) **Patent No.:** **US D894,843 S**

(45) **Date of Patent:** **** Sep. 1, 2020**

(54) **CONTROL BOX**

(71) Applicant: **TIMOTION TECHNOLOGY CO., LTD.**, New Taipei (TW)

(72) Inventor: **Bo-Yen Shen**, New Taipei (TW)

(73) Assignee: **TIMOTION TECHNOLOGY CO., LTD.**, New Taipei (TW)

(**) Term: **15 Years**

(21) Appl. No.: **29/679,292**

(22) Filed: **Feb. 4, 2019**

(51) **LOC (12) Cl.** **13-03**

(52) **U.S. Cl.**
USPC **D13/158**; D15/143; D13/184

(58) **Field of Classification Search**
USPC ... D13/110, 123, 147, 162, 162.1, 164, 184;
D15/143, 148
CPC A47C 7/506; H01R 13/514; H01R 13/639;
H05K 5/00; H05K 5/0004; H05K 5/0021;
H05K 5/0026; H05K 5/03; H05K 5/04;
H05K 5/06; H05K 7/1462; H05K 7/1472
See application file for complete search history.

(56) **References Cited**

U.S. PATENT DOCUMENTS

D433,382 S * 11/2000 Lytel D13/123
D447,746 S * 9/2001 Tonozuka D14/348
D465,797 S * 11/2002 Landerholm D15/143
D546,352 S * 7/2007 Tsou D15/143

D549,663 S * 8/2007 Tsou D13/147
D572,281 S * 7/2008 Wei D15/143
D702,644 S * 4/2014 Tseng D13/147
8,885,352 B2 * 11/2014 Tseng H05K 7/1432
361/752
9,070,957 B2 * 6/2015 Wu H01M 10/4257
9,341,248 B2 * 5/2016 Wu F16C 29/005
D775,677 S * 1/2017 Jorgensen D15/143
D785,574 S * 5/2017 Wu D13/162
D800,076 S * 10/2017 Lin D13/162
9,989,133 B2 * 6/2018 Wu F16H 57/039
D824,900 S * 8/2018 Wu D14/356
2007/0297150 A1 * 12/2007 Jensen H05K 5/0021
361/736

* cited by examiner

Primary Examiner — Selina Sikder

(74) *Attorney, Agent, or Firm* — Chun-Ming Shih; HDLS IPR Services

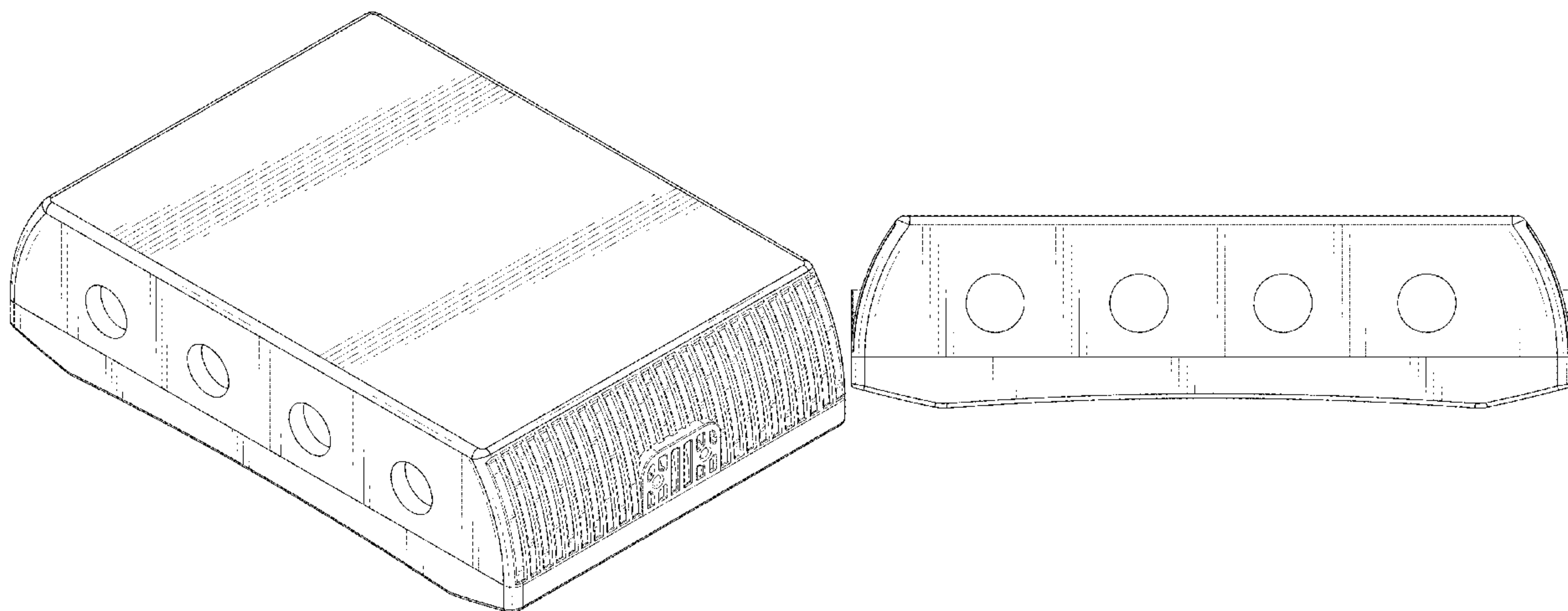
(57) **CLAIM**

The ornamental design for a control box, as shown and described.

DESCRIPTION

FIG. 1 is a perspective view of a control box showing my new design;
FIG. 2 is a front view thereof;
FIG. 3 is a rear view thereof;
FIG. 4 is a left side view thereof;
FIG. 5 is a right side view thereof;
FIG. 6 is a top view thereof;
FIG. 7 is a bottom view thereof; and,
FIG. 8 is second perspective view showing the control box.

1 Claim, 8 Drawing Sheets



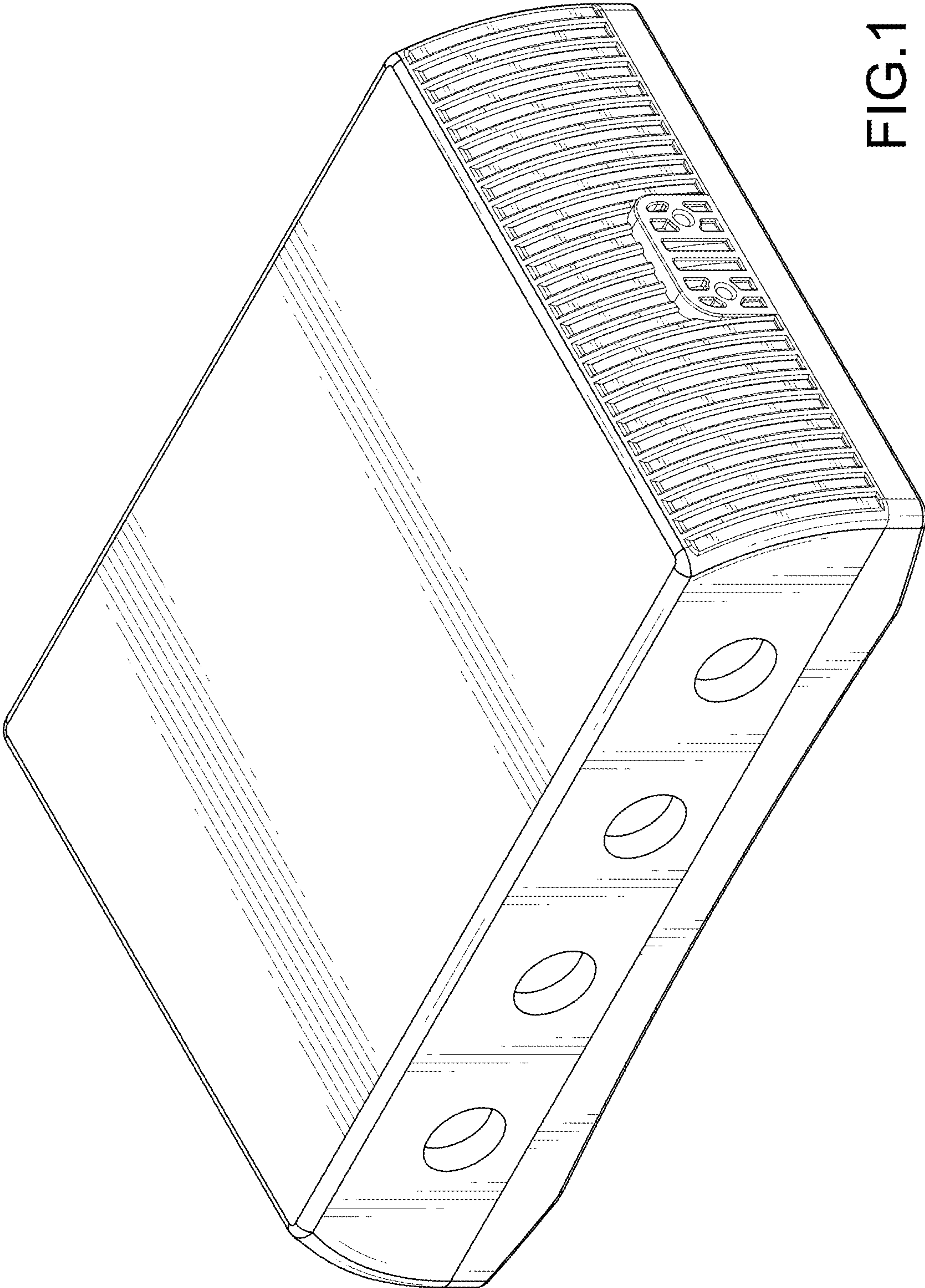


FIG.1

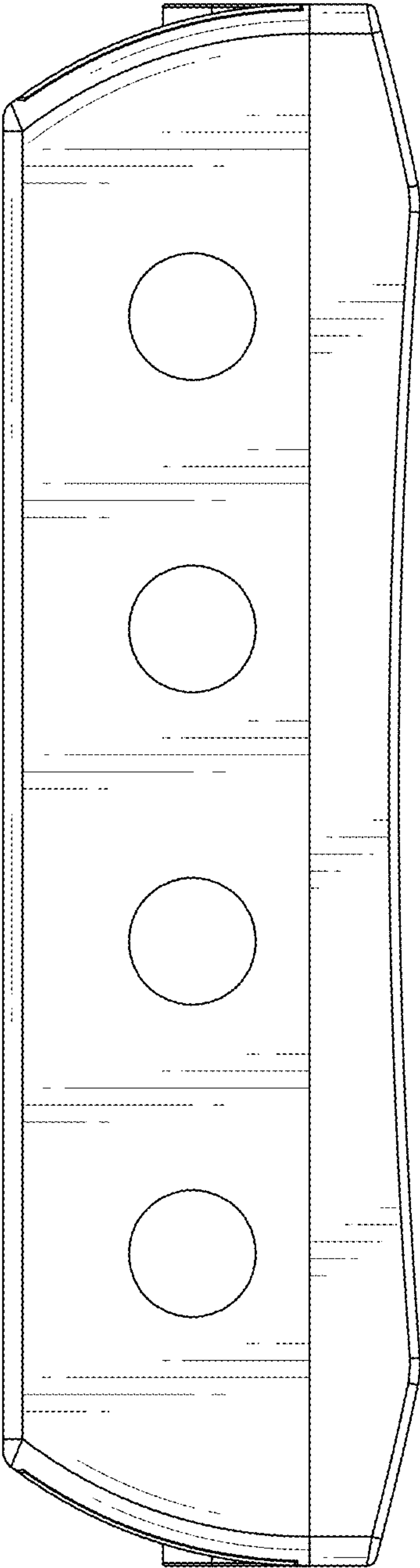


FIG.2

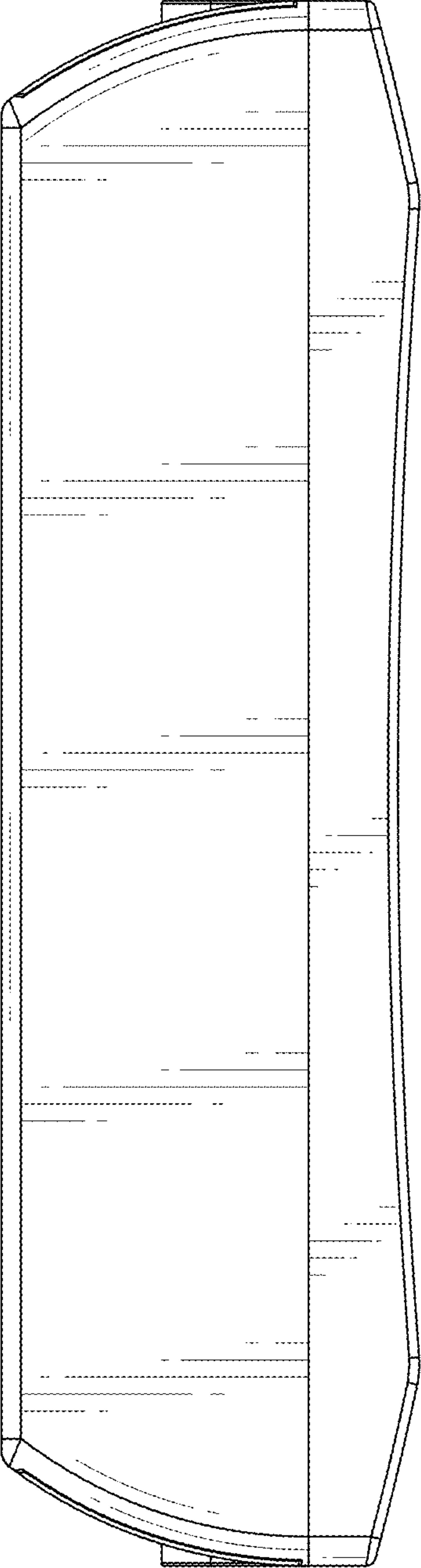


FIG.3

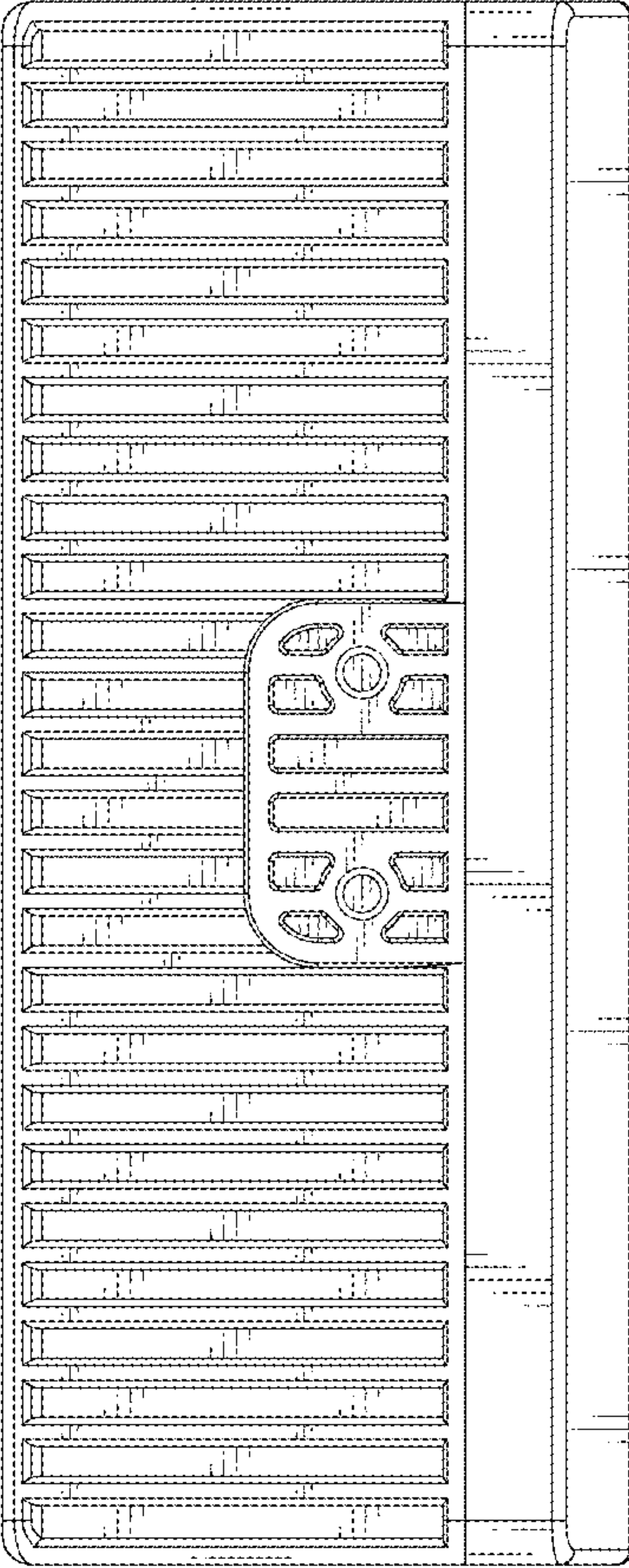


FIG.4

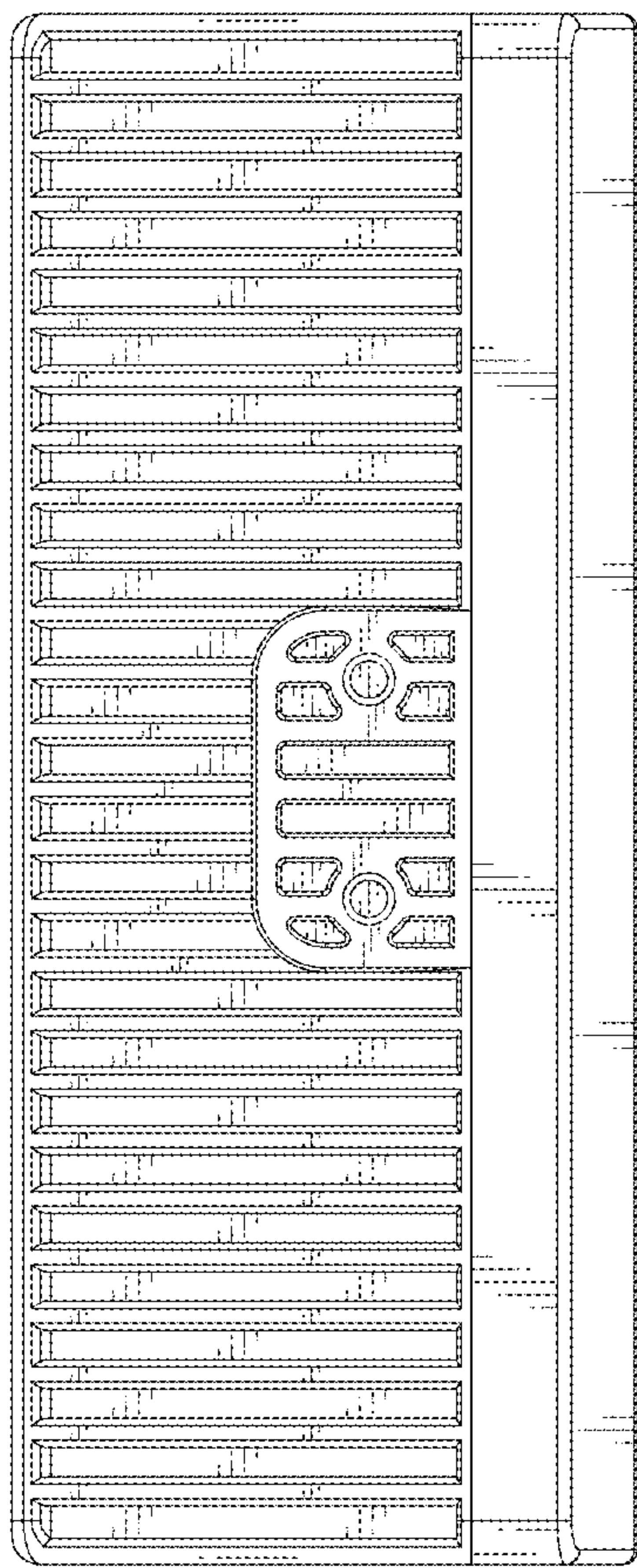


FIG.5

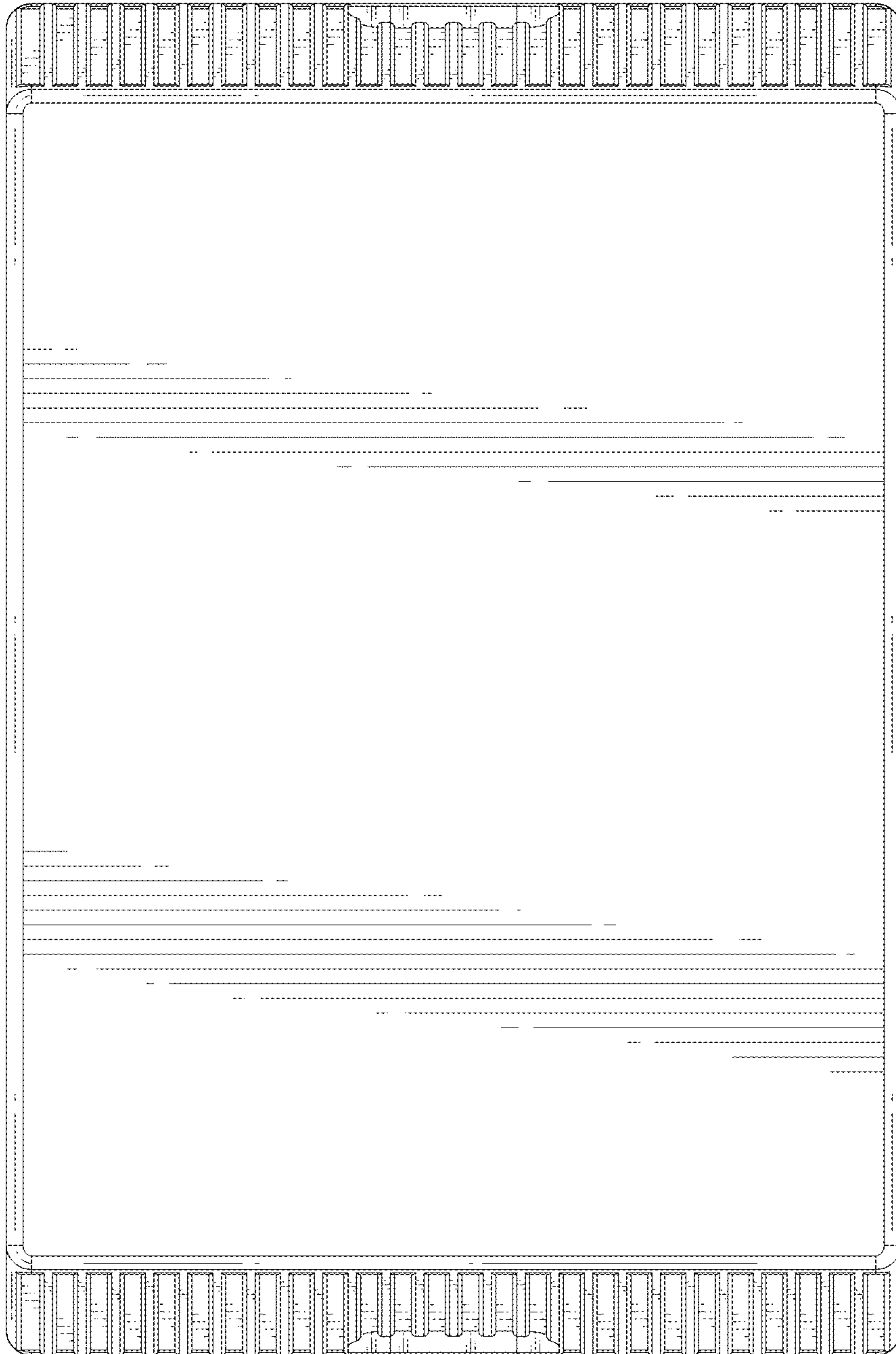


FIG.6

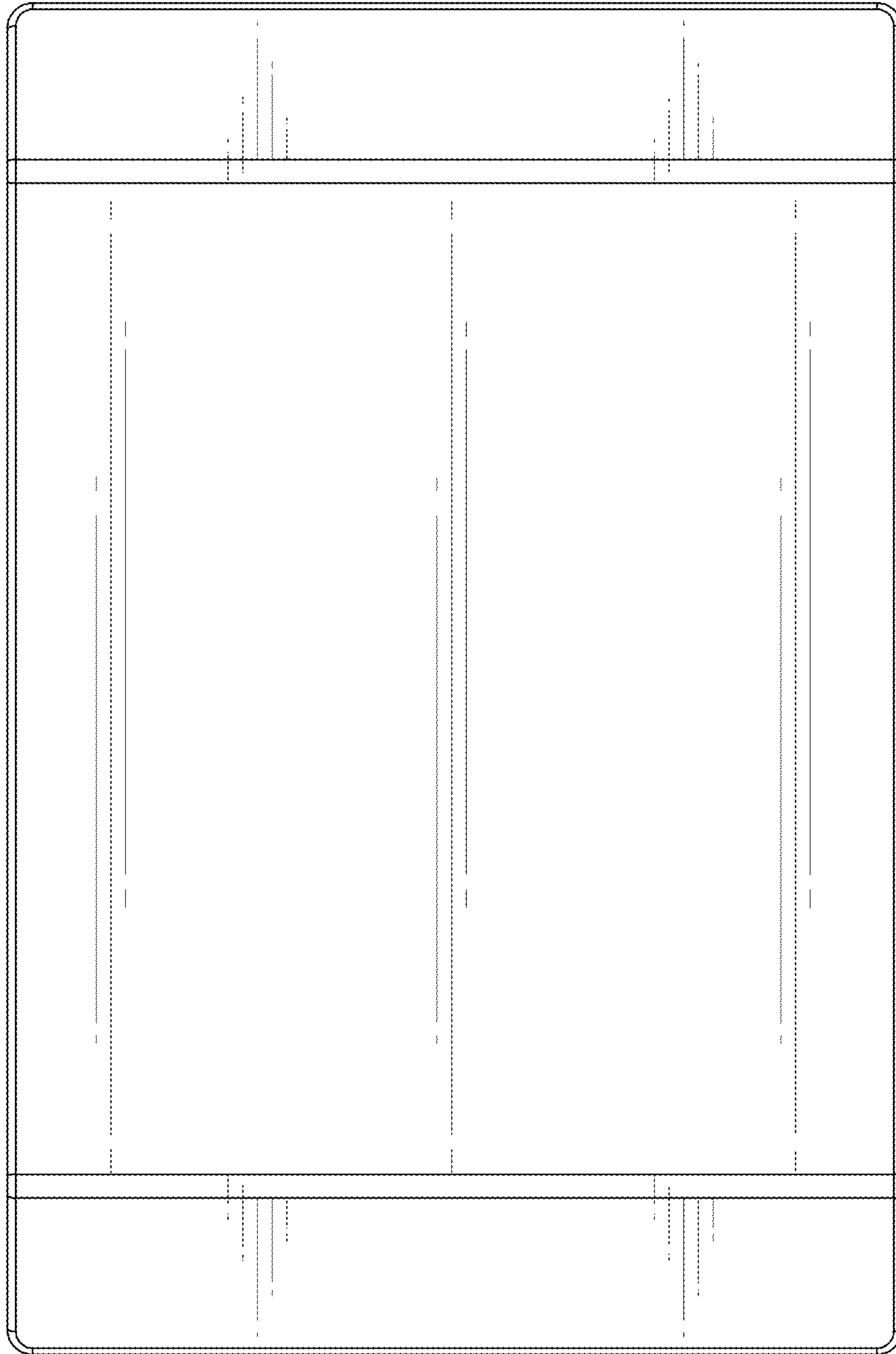


FIG.7

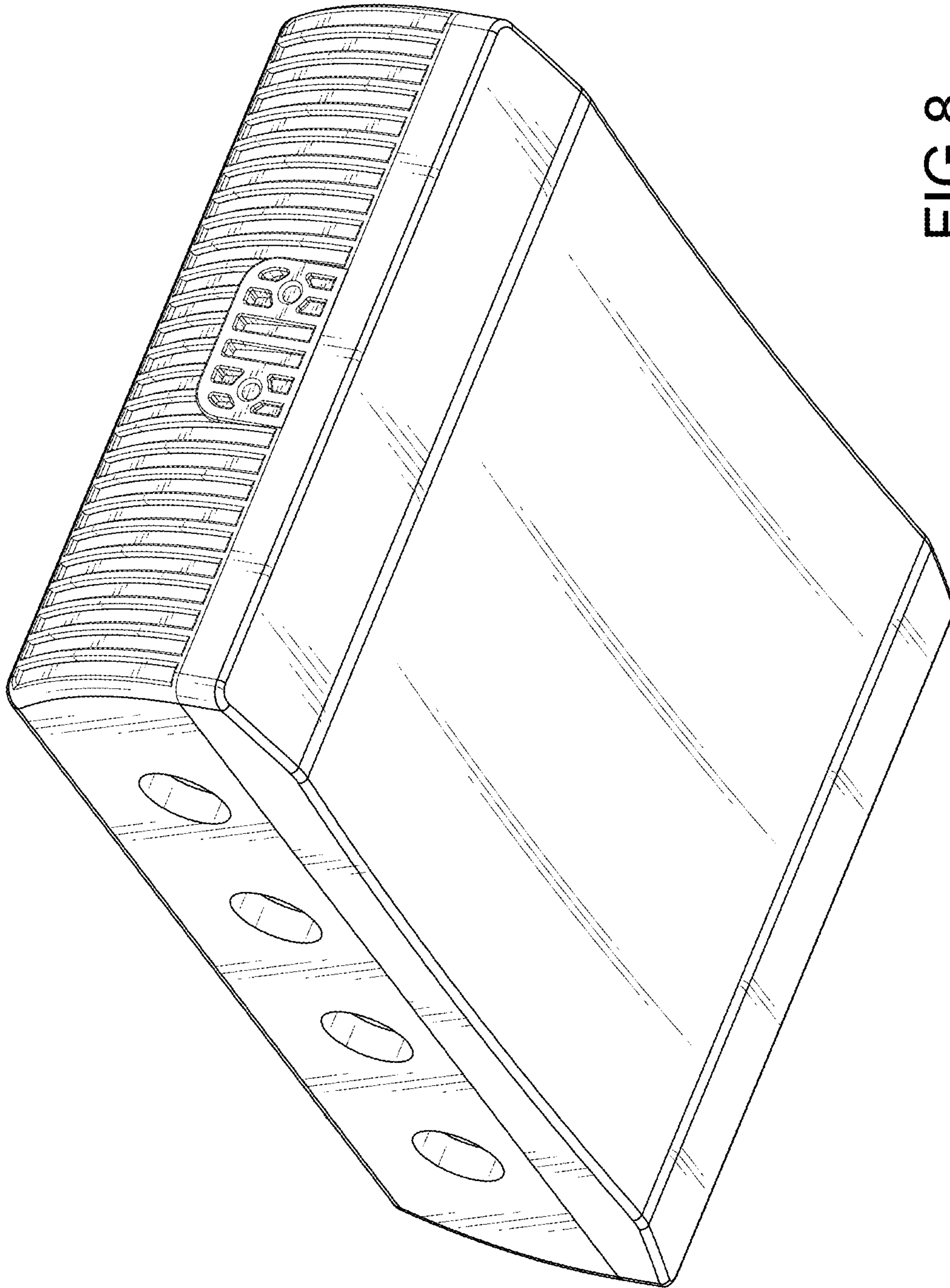


FIG.8