



US00D894842S

(12) **United States Design Patent**
Ashibu et al.

(10) **Patent No.:** **US D894,842 S**
(45) **Date of Patent:** **** Sep. 1, 2020**

(54) **ELECTRICAL CONNECTOR**
(71) Applicant: **Japan Aviation Electronics Industry, Limited, Tokyo (JP)**
(72) Inventors: **Kenta Ashibu, Tokyo (JP); Takayuki Nishimura, Tokyo (JP); Toshiro Kobuchi, Tokyo (JP)**
(73) Assignee: **JAPAN AVIATION ELECTRONICS INDUSTRY, LIMITED, Tokyo (JP)**
(**) Term: **15 Years**

8,845,339 B2 * 9/2014 Ono H01R 12/7052
439/74
D722,564 S * 2/2015 Yoshida D13/147
D722,973 S * 2/2015 Miyazaki D13/147
D735,674 S * 8/2015 Miyazaki D13/147
D739,826 S * 9/2015 Omodachi D13/147
D767,499 S * 9/2016 Goto D13/147
D774,463 S * 12/2016 Omodachi D13/147
D793,342 S * 8/2017 Ashibu D13/147
D816,043 S * 4/2018 Ashibu D13/147
D828,306 S * 9/2018 Horino D13/147
D828,307 S * 9/2018 Ashibu D13/147
2010/0267287 A1 * 10/2010 Ishikawa H01R 13/20
439/700
2015/0263464 A1 * 9/2015 Arichika H01R 12/7029
439/374

(21) Appl. No.: **29/695,548**

(Continued)

(22) Filed: **Jun. 20, 2019**

FOREIGN PATENT DOCUMENTS

(30) **Foreign Application Priority Data**

JP 2014110156 A * 6/2014 H01R 12/716

Dec. 28, 2018 (JP) 2018-028891

Primary Examiner — Angela J Lee

(51) **LOC (12) Cl.** **13-03**

Assistant Examiner — Shawn T Gingrich

(52) **U.S. Cl.**

(74) *Attorney, Agent, or Firm* — Manabu Kanesaka

USPC **D13/147**

(58) **Field of Classification Search**

(57) **CLAIM**

USPC D13/123, 133, 146, 147, 149, 154, 156,
D13/173, 184, 199

The ornamental design for an electrical connector, as shown and described.

CPC H01R 12/22; H01R 12/36; H01R 12/70;
H01R 12/71; H01R 13/11; H01R 13/115;
H01R 13/24; H01R 13/41; H01R 13/52;
H01R 13/627; H01R 13/631; H01R
13/635

DESCRIPTION

See application file for complete search history.

FIG. 1 is a front elevational view of an electrical connector showing our new design;

FIG. 2 is a rear elevational view thereof;

FIG. 3 is a right side elevational view thereof;

FIG. 4 is a left side elevational view thereof;

FIG. 5 is a top plan view thereof;

FIG. 6 is a bottom plan view thereof;

FIG. 7 is a perspective view showing a front, top and right side thereof; and,

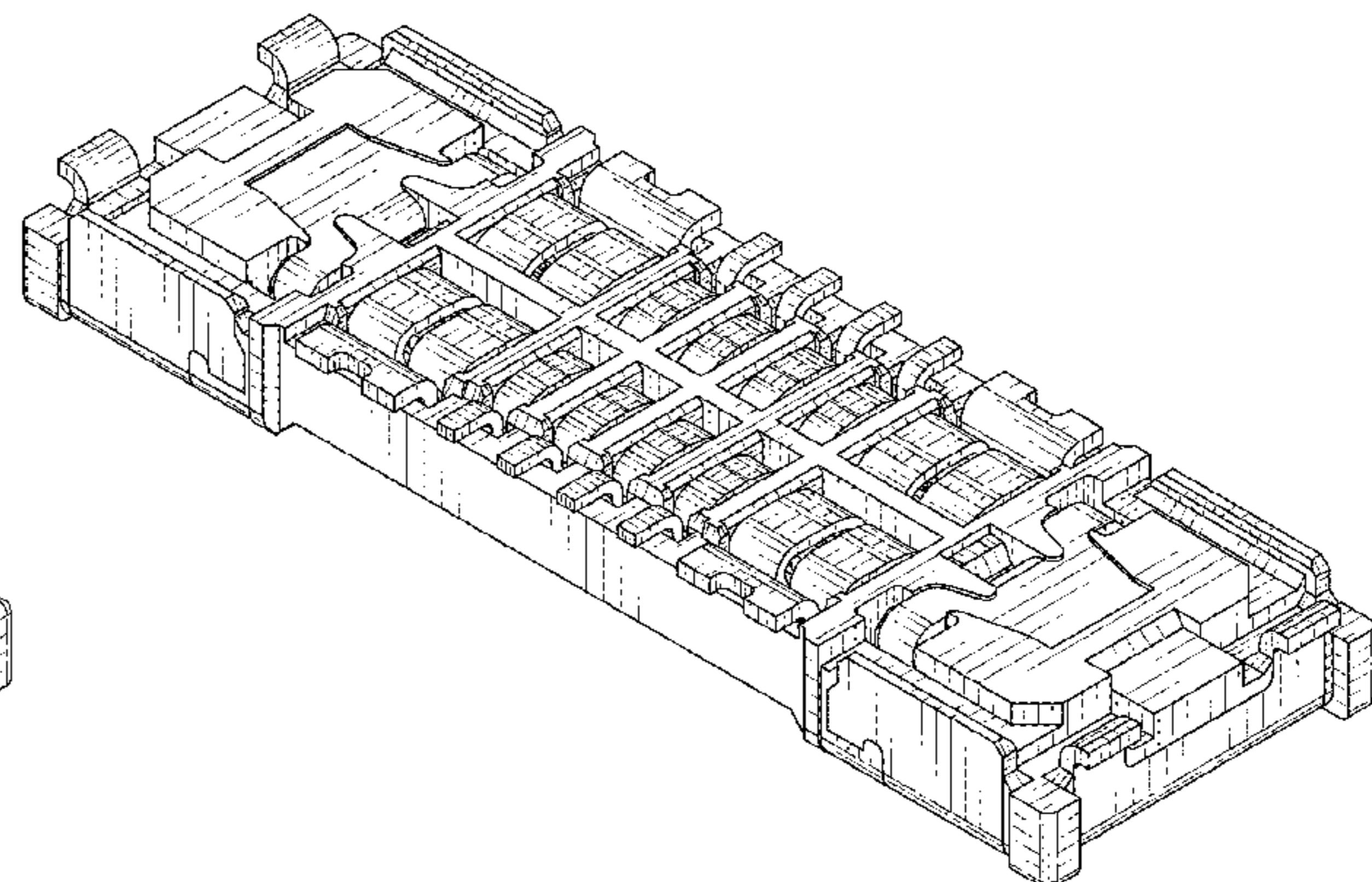
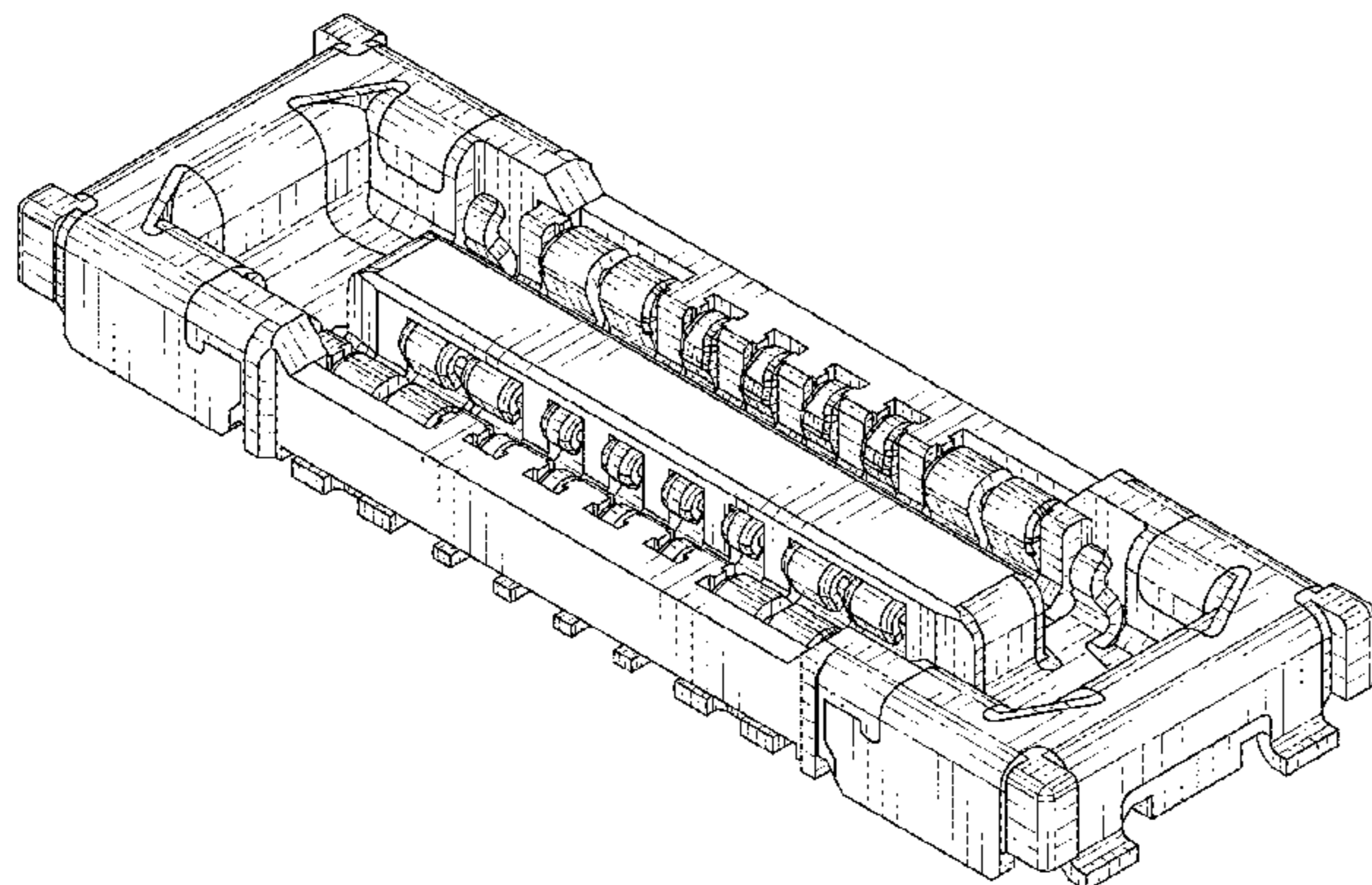
FIG. 8 is a perspective view showing a rear, bottom and left side thereof.

(56) **References Cited**

U.S. PATENT DOCUMENTS

D539,225 S * 3/2007 Kishi D13/147
D603,801 S * 11/2009 Obikane D13/147
D684,120 S * 6/2013 Miyazaki D13/147
D687,383 S * 8/2013 Miyazaki D13/147
D695,691 S * 12/2013 Kobuchi D13/147

1 Claim, 4 Drawing Sheets



(56)

References Cited

U.S. PATENT DOCUMENTS

2015/0270641 A1* 9/2015 Omodachi H01R 13/629
439/374
2016/0315430 A1* 10/2016 Takeuchi H01R 12/00
2017/0264048 A1* 9/2017 Ashibu H01R 12/716
2017/0365944 A1* 12/2017 Yoshioka H01R 12/716
2018/0069331 A1* 3/2018 Hirakawa H01R 12/57
2020/0106200 A1* 4/2020 Ishida H01R 12/716

* cited by examiner

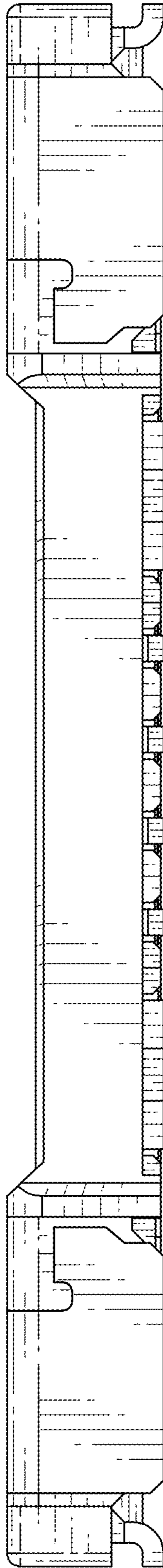


FIG. 1

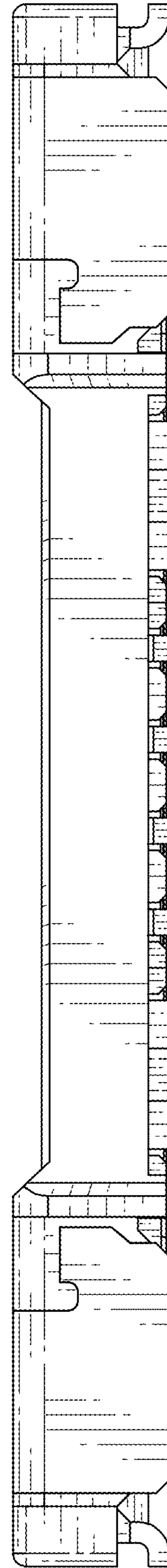


FIG. 2

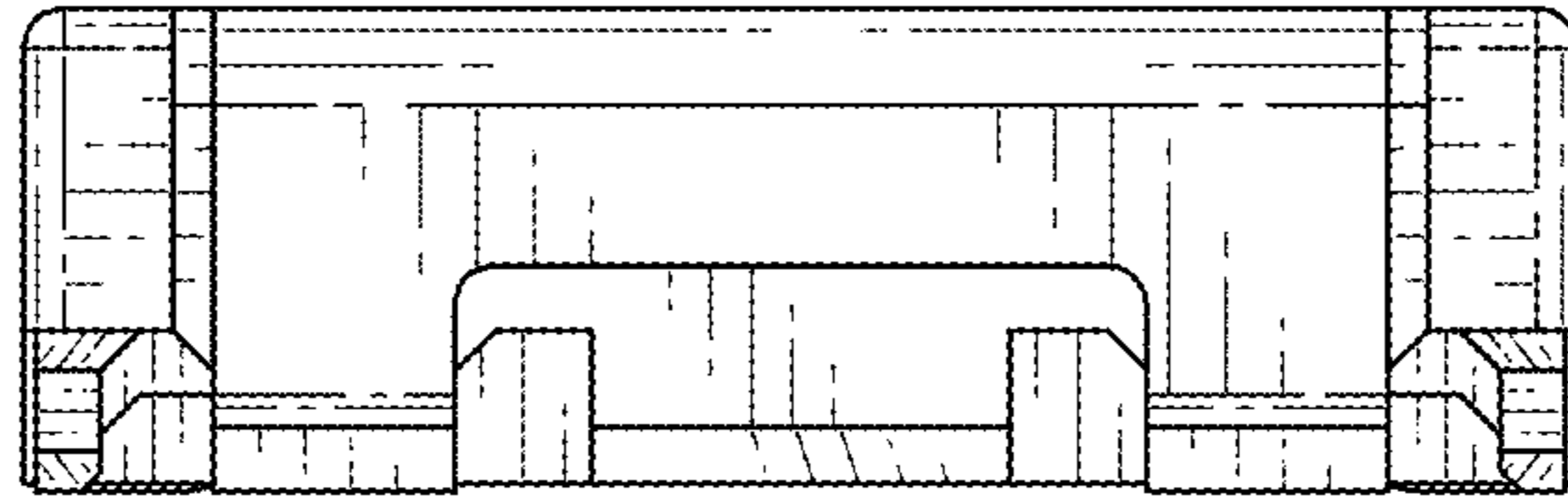


FIG. 3

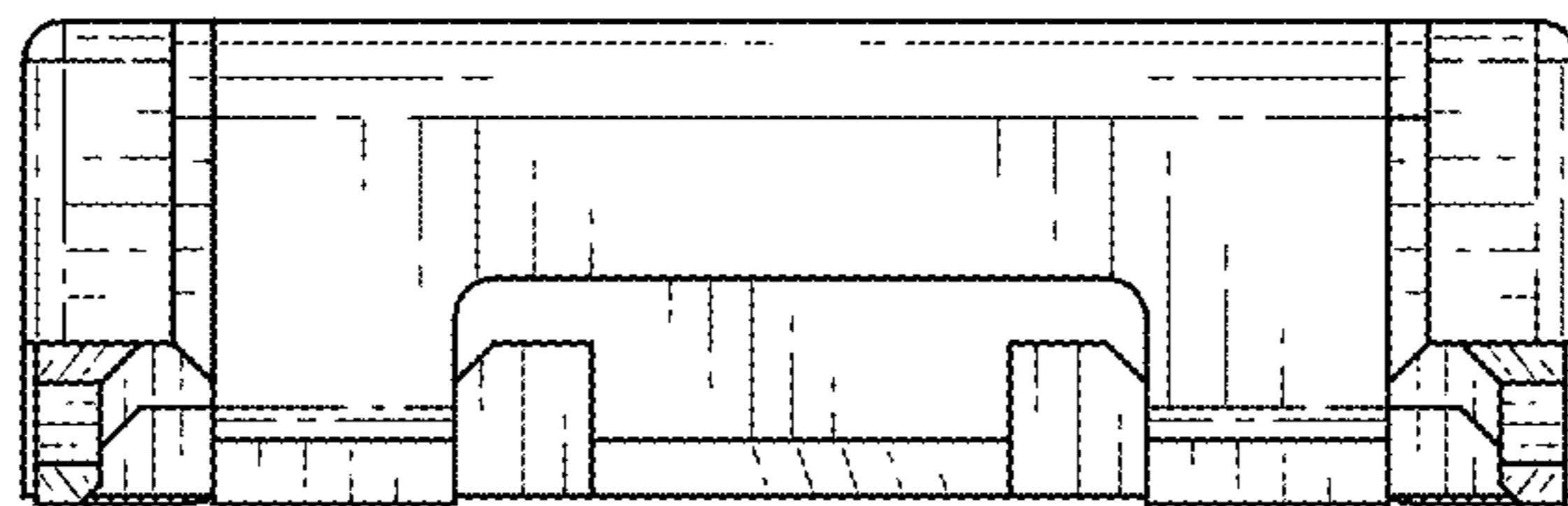


FIG. 4

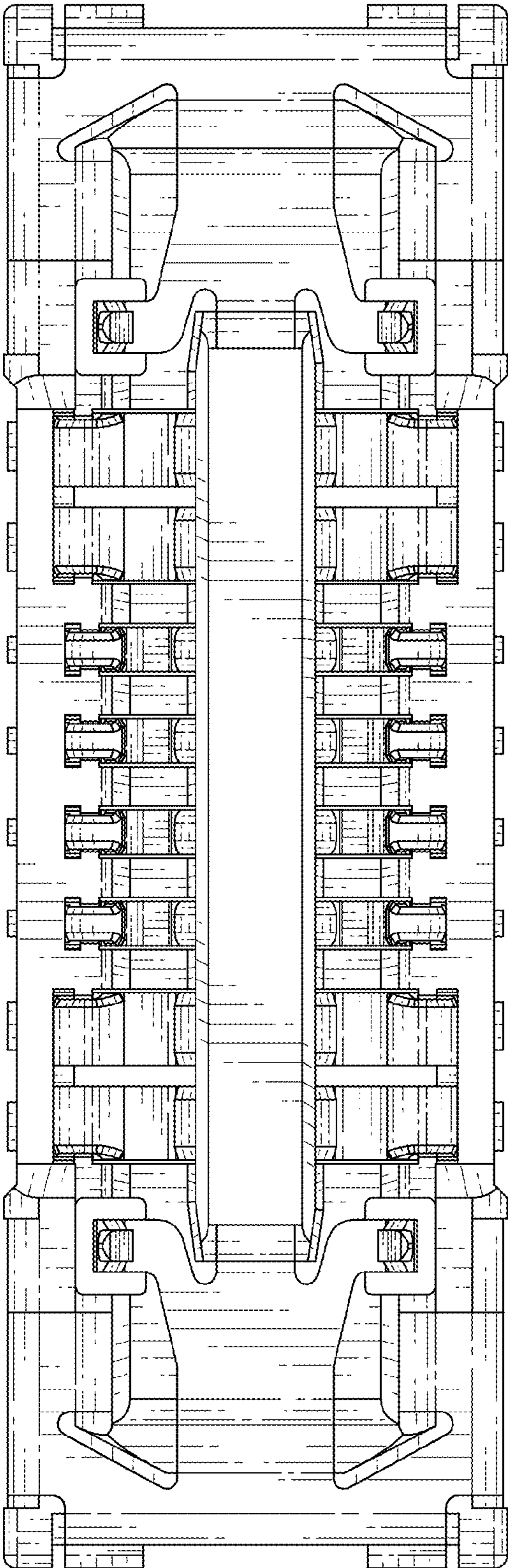


FIG. 5

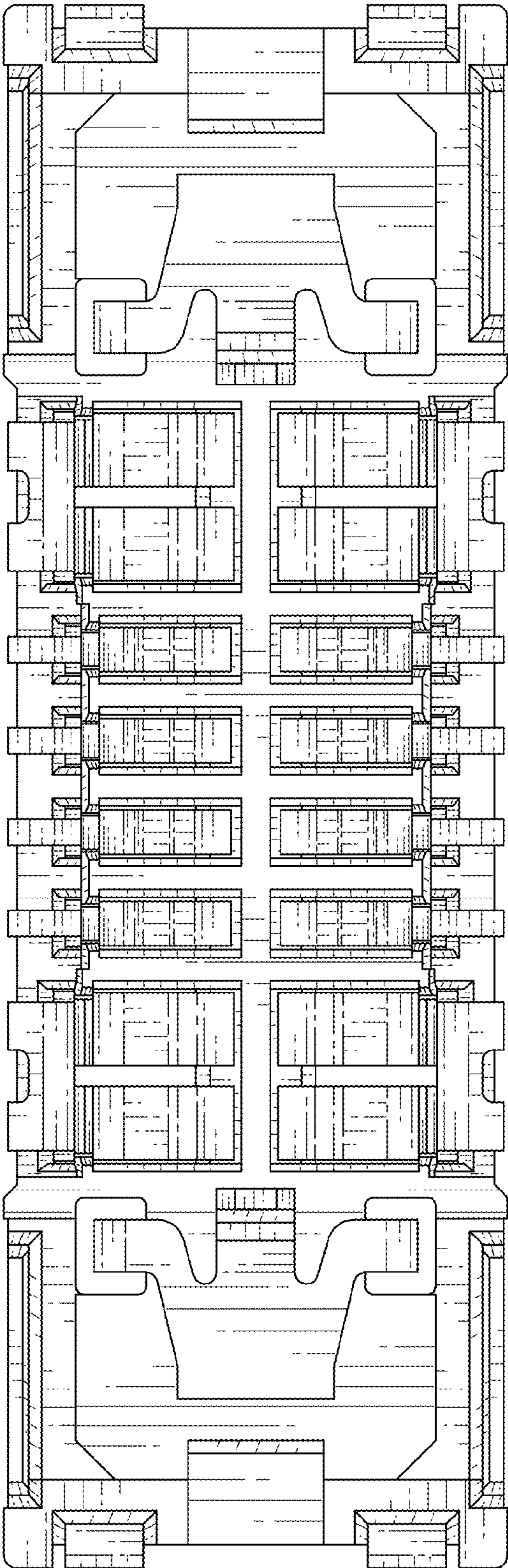


FIG. 6

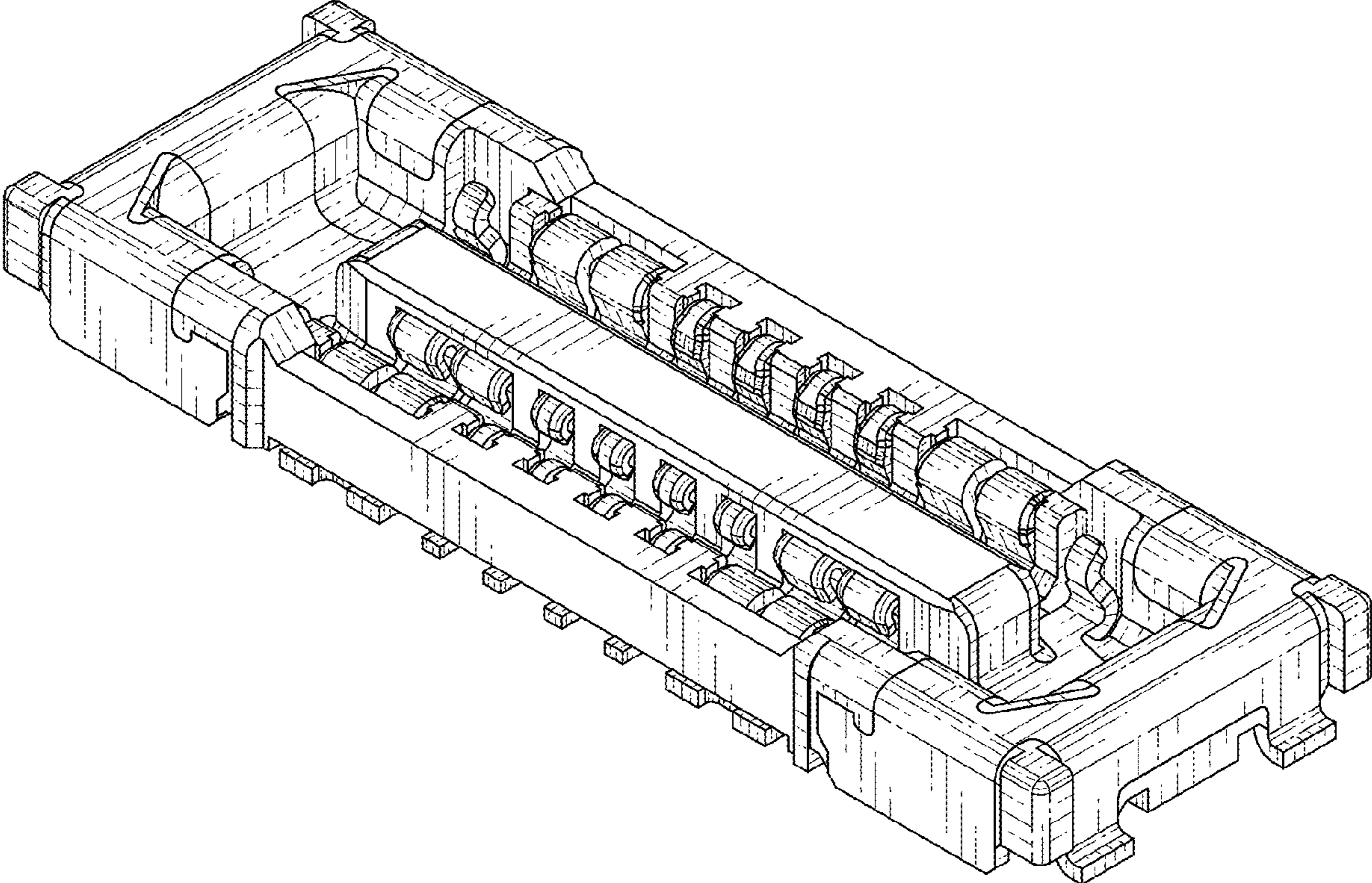


FIG. 7

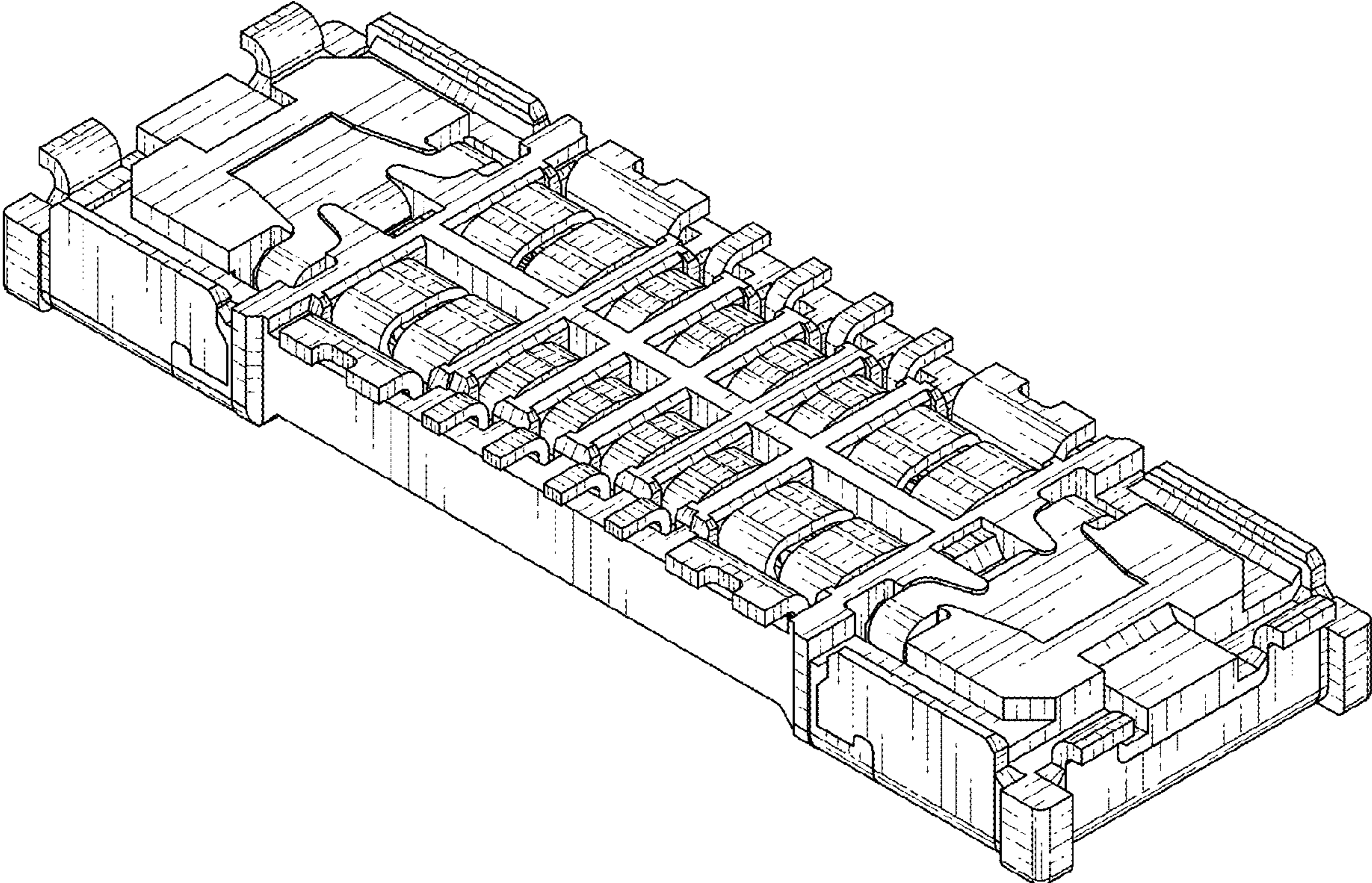


FIG. 8