



US00D894841S

(12) **United States Design Patent**
Mickler et al.

(10) **Patent No.:** **US D894,841 S**

(45) **Date of Patent:** **** Sep. 1, 2020**

(54) **REVERSIBLE TRAILER BLOCK TERMINAL PLATE**

(71) Applicant: **Rockwell Automation Technologies, Inc.**, Mayfield Heights, OH (US)

(72) Inventors: **Kurt R. Mickler**, Waukesha, WI (US); **Douglas R. Berger**, Milwaukee, WI (US); **Robert G. Rushmer**, Wauwatosa, WI (US); **Ganesh B. Gaikwad**, Milwaukee, WI (US)

(73) Assignee: **Rockwell Automation Technologies, Inc.**, Mayfield Heights, OH (US)

(**) Term: **15 Years**

(21) Appl. No.: **29/679,460**

(22) Filed: **Feb. 6, 2019**

(51) **LOC (12) Cl.** **13-03**

(52) **U.S. Cl.**
USPC **D13/146**

(58) **Field of Classification Search**
USPC D13/103, 107, 108, 110, 112, 118, 120, D13/123, 133, 137.1, 145-147, 149-156, D13/158, 173, 177, 184, 199, 242; D14/240, 242, 433, 434, 435.1, 438; D7/396.1, 500, 550.1, 553.1, 553.2, D7/553.4, 553.5, 553.6; D9/456, 736, D9/749, 755, 758, 760

CPC H01L 21/67271; G01R 31/2893
See application file for complete search history.

(56) **References Cited**

U.S. PATENT DOCUMENTS

D122,774 S * 10/1940 Frederick D7/553.4
D129,741 S * 9/1941 Clark D7/552.2
D142,989 S * 11/1945 Curry D7/553.5
D180,339 S * 5/1957 Pavelle D9/456
D189,792 S * 2/1961 Saputo D7/544

3,110,397 A * 11/1963 Peck A47G 23/06
224/572
D211,513 S * 6/1968 Brown D9/456
D215,270 S * 9/1969 Gutsche D9/456
D223,533 S * 5/1972 Mitchell D9/755
D240,578 S * 7/1976 Gottsegen D7/553.5
4,053,099 A * 10/1977 Lock B65D 71/72
206/562
D246,277 S * 11/1977 Forselius D7/552.2
D260,472 S * 9/1981 Turcotte, Jr. D7/708
D274,885 S * 7/1984 Joice D9/758
D283,103 S * 3/1986 Cushing D9/425
D335,486 S * 5/1993 Fatalo D13/147
D353,077 S * 12/1994 Hollstrom D7/553.5
D407,243 S * 3/1999 Thoesen D12/425
D430,119 S * 8/2000 Fekete 194/205
D477,782 S * 7/2003 Throgmorton D9/434

(Continued)

OTHER PUBLICATIONS

Pneumatics Online. New Products. No date specified. <http://www.pneumaticsonline.com/PneumaticsOnlineNewProducts.html> (Year: 0).*

Primary Examiner — Darcey E Gottschalk

(74) *Attorney, Agent, or Firm* — Fletcher Yoder, P.C.

(57) **CLAIM**

The ornamental design for a reversible trailer block terminal plate, as shown and described.

DESCRIPTION

FIG. 1 illustrates a perspective view of a reversible trailer block terminal plate;

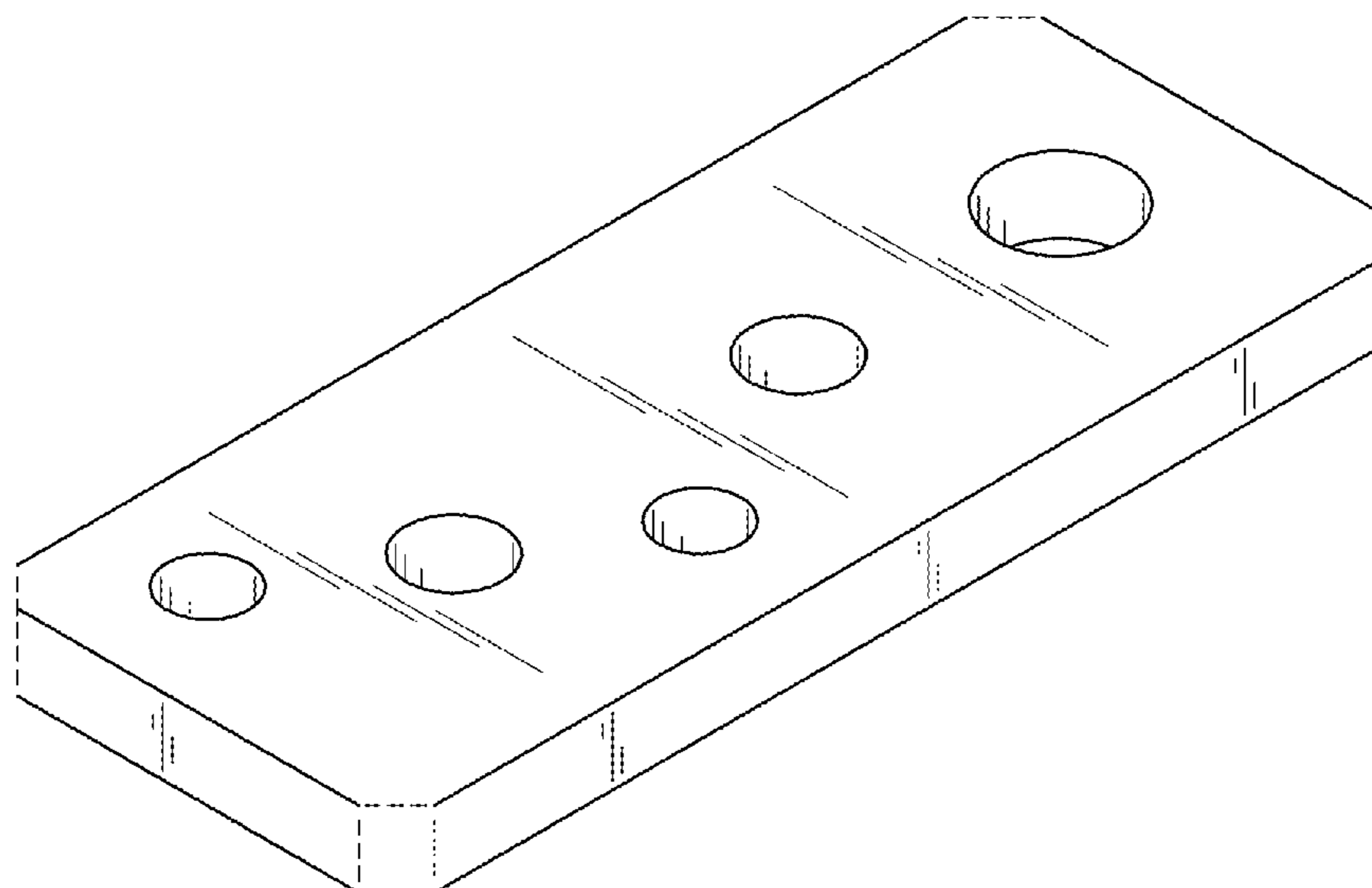
FIG. 2 illustrates a top plan view;

FIG. 3 illustrates a front view; and,

FIG. 4 illustrates a left plan view.

In this drawing, the solid lines illustrate the claimed ornamental design, whereas the broken lines illustrate environmental features that form no part of the claimed ornamental design.

1 Claim, 1 Drawing Sheet



(56)

References Cited

U.S. PATENT DOCUMENTS

D479,414	S	*	9/2003	Sparkowski	D9/456
D490,403	S	*	5/2004	Wu	D14/240
D589,626	S	*	3/2009	Petersen	D24/230
D592,401	S	*	5/2009	Beavers	D3/304
D631,353	S	*	1/2011	Gelardi	D9/455
D769,675	S	*	10/2016	Chavez	D7/553.5
D786,073	S	*	5/2017	Hutcheson, Jr.	D22/134
D837,788	S	*	1/2019	Bagley	D14/433
D837,789	S	*	1/2019	Woody	D14/433
D855,406	S	*	8/2019	Ings	D7/553.1
D871,924	S	*	1/2020	Vanderwell	D9/755
2015/0091557	A1	*	4/2015	Rushmer	G01R 33/072 324/251

* cited by examiner

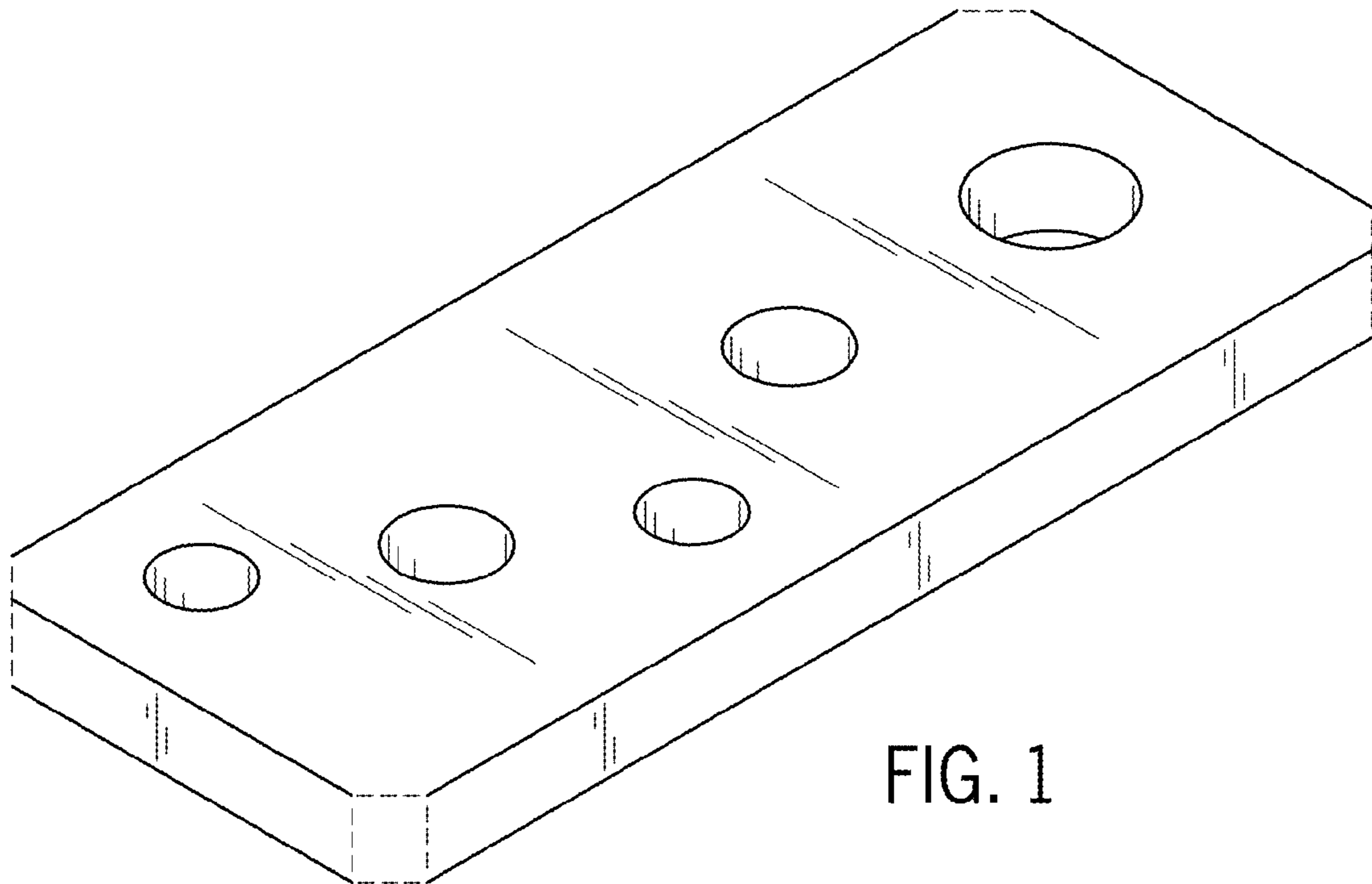


FIG. 1

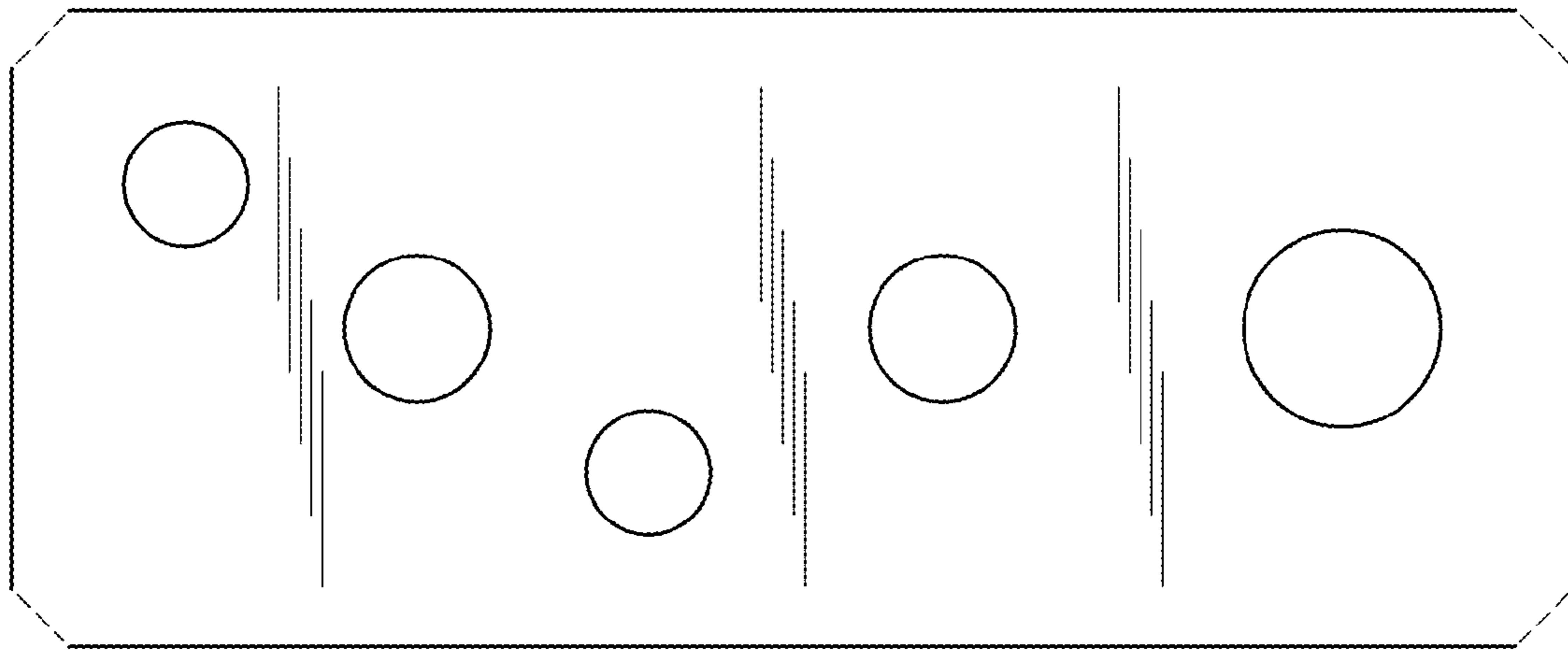


FIG. 2



FIG. 3

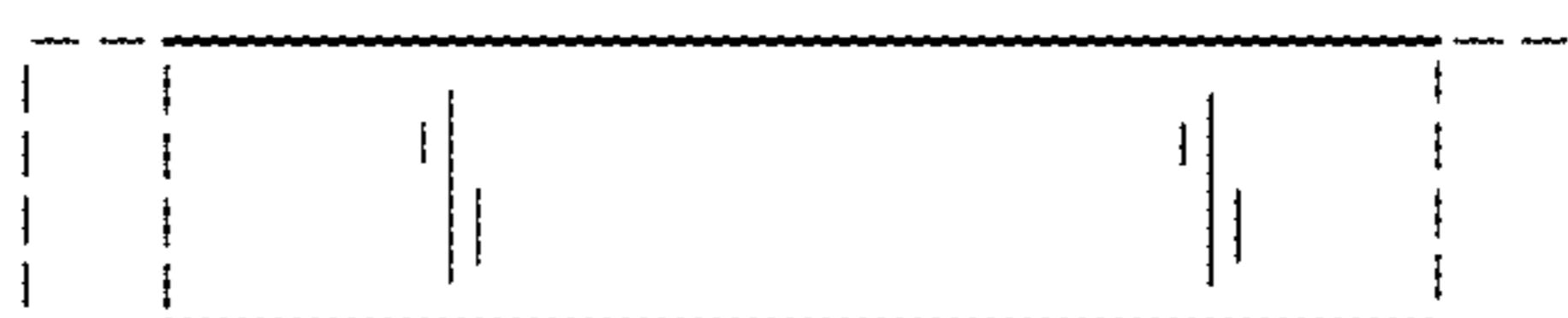


FIG. 4