



US00D894840S

(12) **United States Design Patent**  
**Mickler et al.**

(10) **Patent No.:** **US D894,840 S**

(45) **Date of Patent:** **\*\* Sep. 1, 2020**

(54) **TRAILER BLOCK FOR AN ELECTRICAL DISCONNECT**

(71) Applicant: **Rockwell Automation Technologies, Inc.**, Mayfield Heights, OH (US)

(72) Inventors: **Kurt R. Mickler**, Waukesha, WI (US); **Douglas R. Berger**, Milwaukee, WI (US); **Robert G. Rushmer**, Wauwatosa, WI (US); **Ganesh B. Gaikwad**, Milwaukee, WI (US)

(73) Assignee: **Rockwell Automation Technologies, Inc.**, Mayfield Heights, OH (US)

(\*\*) Term: **15 Years**

(21) Appl. No.: **29/675,931**

(22) Filed: **Jan. 7, 2019**

(51) **LOC (12) Cl.** ..... **13-03**

(52) **U.S. Cl.**  
USPC ..... **D13/146**

(58) **Field of Classification Search**  
USPC ..... D13/101, 107, 108, 110, 118, 120, 123, D13/133, 146, 147, 154, 184, 199; D14/155, 188, 217, 223, 240, 242, 357, D14/385, 432-438, 435.1, 496  
CPC .... H01R 13/62; H01R 13/6273; H01R 13/50; H01R 9/2408; H02B 1/052; H01H 85/00; H01H 85/055; H01H 85/22; H01H 85/50; H05K 1/02; H05K 5/00; H05K 5/02  
See application file for complete search history.

(56) **References Cited**

**U.S. PATENT DOCUMENTS**

- 2,201,743 A \* 5/1940 Petersen ..... H01R 9/2408  
174/53
- D452,678 S \* 1/2002 Hiramoto ..... D13/147
- D575,743 S \* 8/2008 Shifris ..... D13/147

- 7,746,649 B2 \* 6/2010 Miller ..... H02P 1/18  
318/445
- D705,172 S \* 5/2014 Nomura ..... D13/147
- D781,239 S \* 3/2017 Ikeda ..... D13/154
- D823,814 S \* 7/2018 Buck ..... D13/154
- D833,451 S \* 11/2018 Paolizzi ..... D14/453
- D868,074 S \* 11/2019 Paolizzi ..... D14/453

(Continued)

**OTHER PUBLICATIONS**

Werner Electric Supply. Rockwell Automation 1494U-F60. No date specified. [https://www.wernerelectric.com/1028293/Product/Rockwell\\_Automation\\_1494U-F60](https://www.wernerelectric.com/1028293/Product/Rockwell_Automation_1494U-F60) (Year: 0).\*

(Continued)

*Primary Examiner* — Darcey E Gottschalk

(74) *Attorney, Agent, or Firm* — Fletcher Yoder, P.C.

(57) **CLAIM**

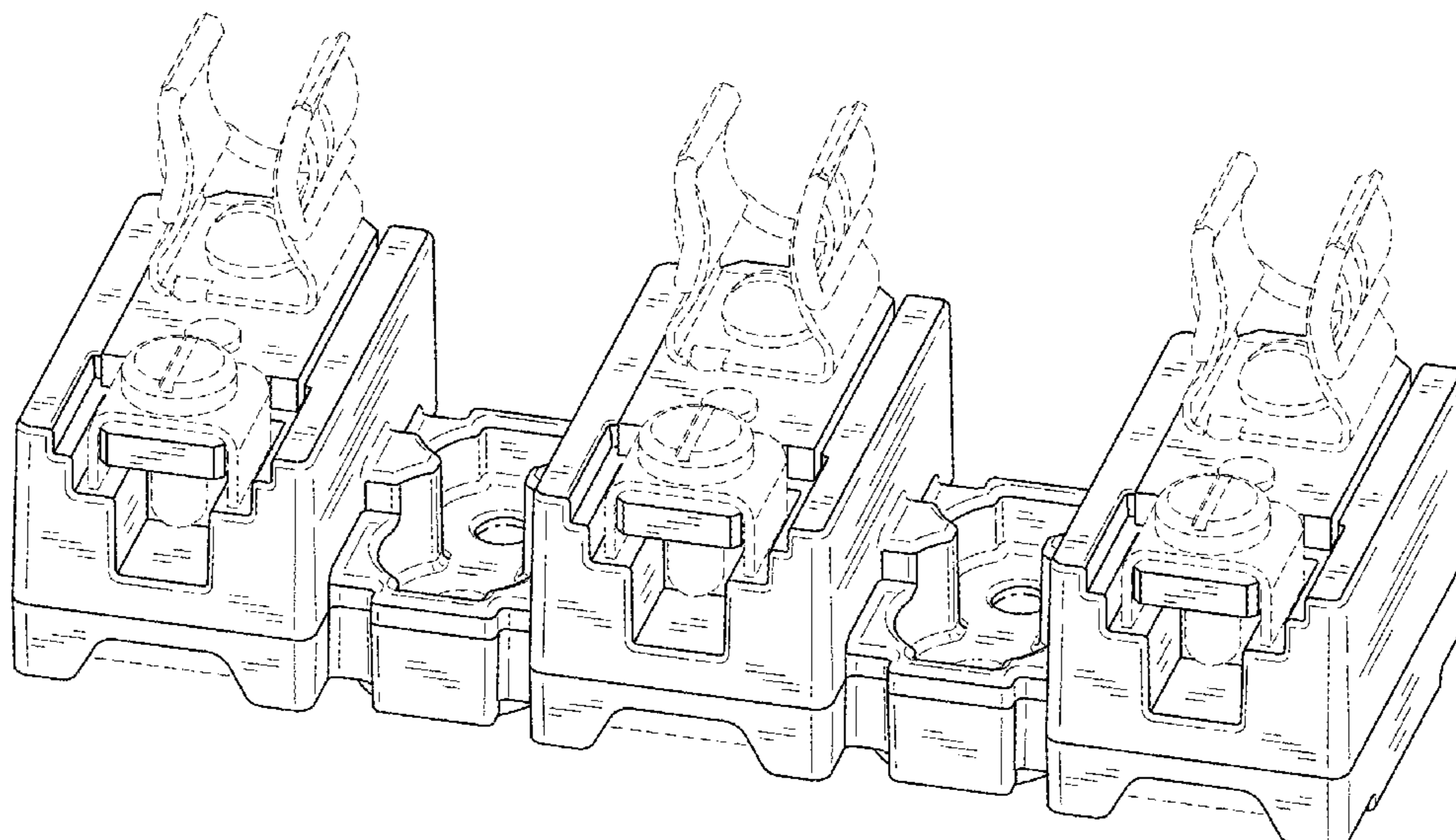
The ornamental design for a trailer block for an electrical disconnect, as shown and described.

**DESCRIPTION**

FIG. 1 illustrates a perspective view of the design for the trailer block, wherein parts of the system are shown in broken lines for illustrative purposes; FIG. 2 illustrates a front view thereof set forth in FIG. 1; FIG. 3 illustrates a rear view thereof set forth in FIG. 1; FIG. 4 illustrates a left plan view thereof set forth in FIG. 1; FIG. 5 illustrates a right plan view thereof set forth in FIG. 1; FIG. 6 illustrates a top plan view thereof set forth in FIG. 1; and, FIG. 7 illustrates a bottom plan view thereof set forth in FIG. 1.

In this drawing, the solid lines illustrate the claimed ornamental design, whereas the broken lines illustrate environmental features that form no part of the claimed design.

**1 Claim, 6 Drawing Sheets**



(56)

**References Cited**

U.S. PATENT DOCUMENTS

D870,045 S \* 12/2019 Colvin ..... D13/133  
D870,051 S \* 12/2019 Endo ..... D13/154  
D876,366 S \* 2/2020 Holub ..... D13/147  
D877,084 S \* 3/2020 Buck ..... D13/147  
2015/0038002 A1 \* 2/2015 Sabo ..... H01R 4/2433  
439/395

OTHER PUBLICATIONS

Motion Constrained Surplus. Allen Bradley 1494V-FSR611 Trailer Fuse Block Terminal Disconnect Switch Kit—Used. No date specified. <https://surplus.motionconstrained.com/shop/switches-for-automation/allen-bradley-1494v-fsr611-trailer-fuse-block-terminal-disconnect-switch-kit-used/> (Year: 0).\*

Eesco. Rockwell Automation #1494U-F100 Trailer Fuse Block Kit, 100A Switch. No date specified. <https://buy.eescodist.com/Circuit-Breaker-Fuse-Kits/ROCKWELL-AUTOMATION/Trailer-Fuse-Block-Kit-100A-Switch/1494U-F100/p/88717255800-1> (Year: 0).\*

\* cited by examiner

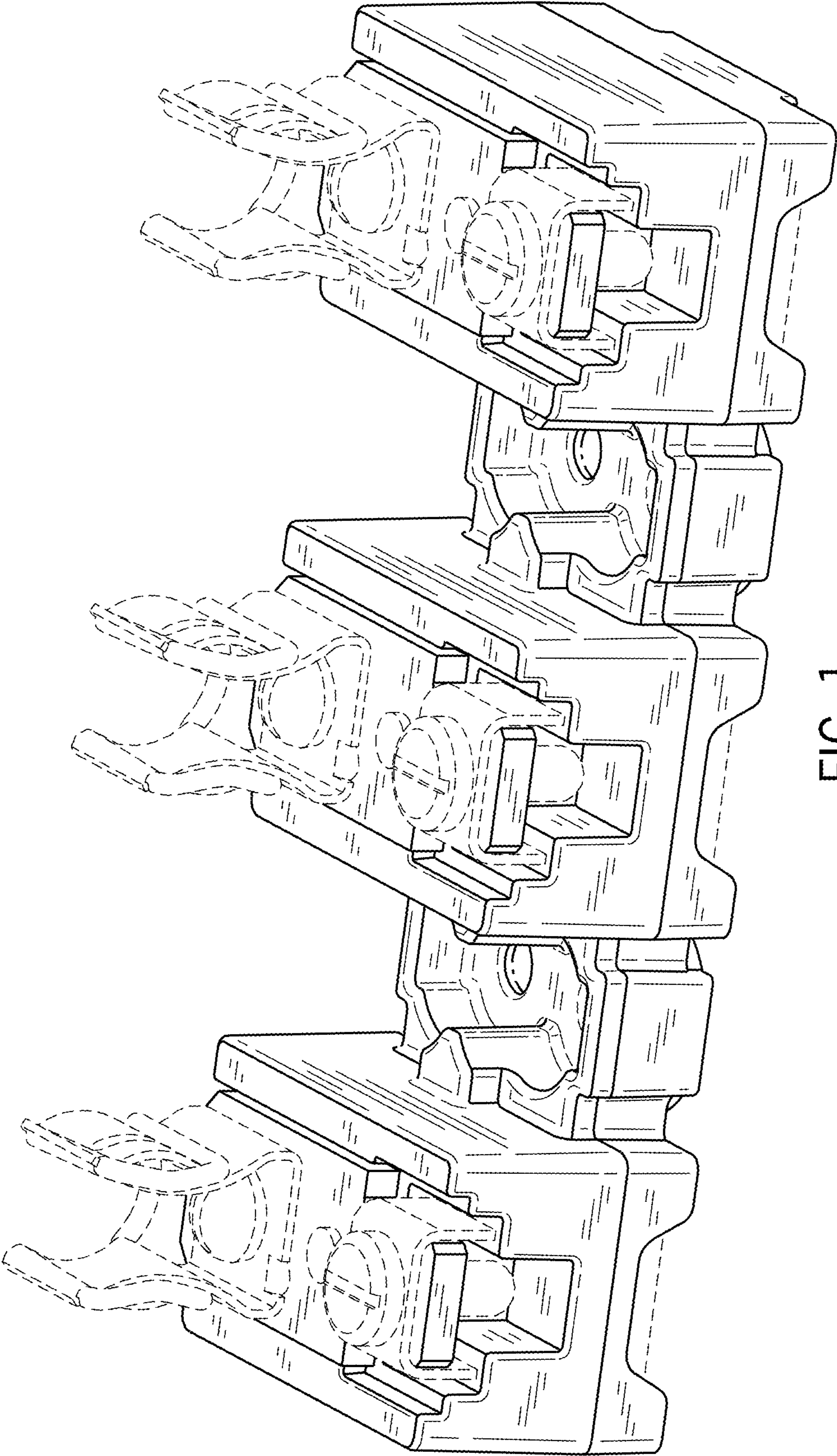


FIG. 1

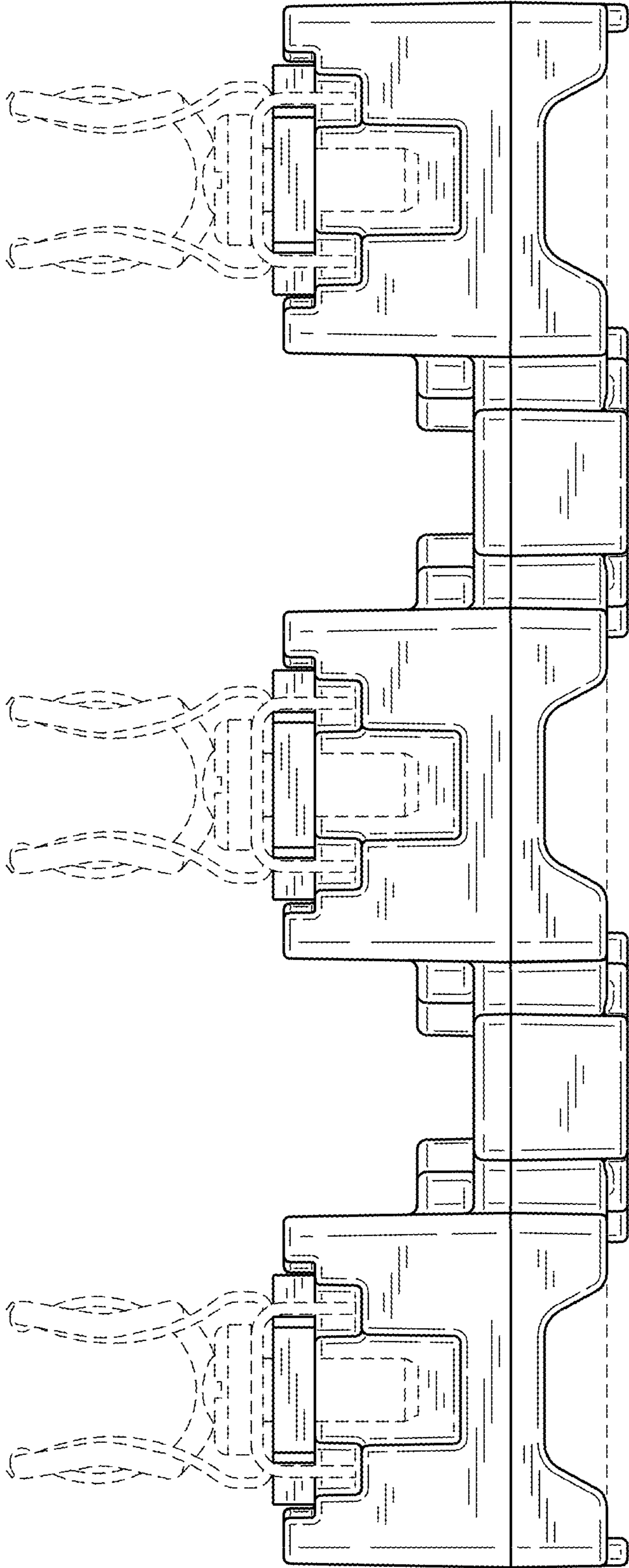


FIG. 2

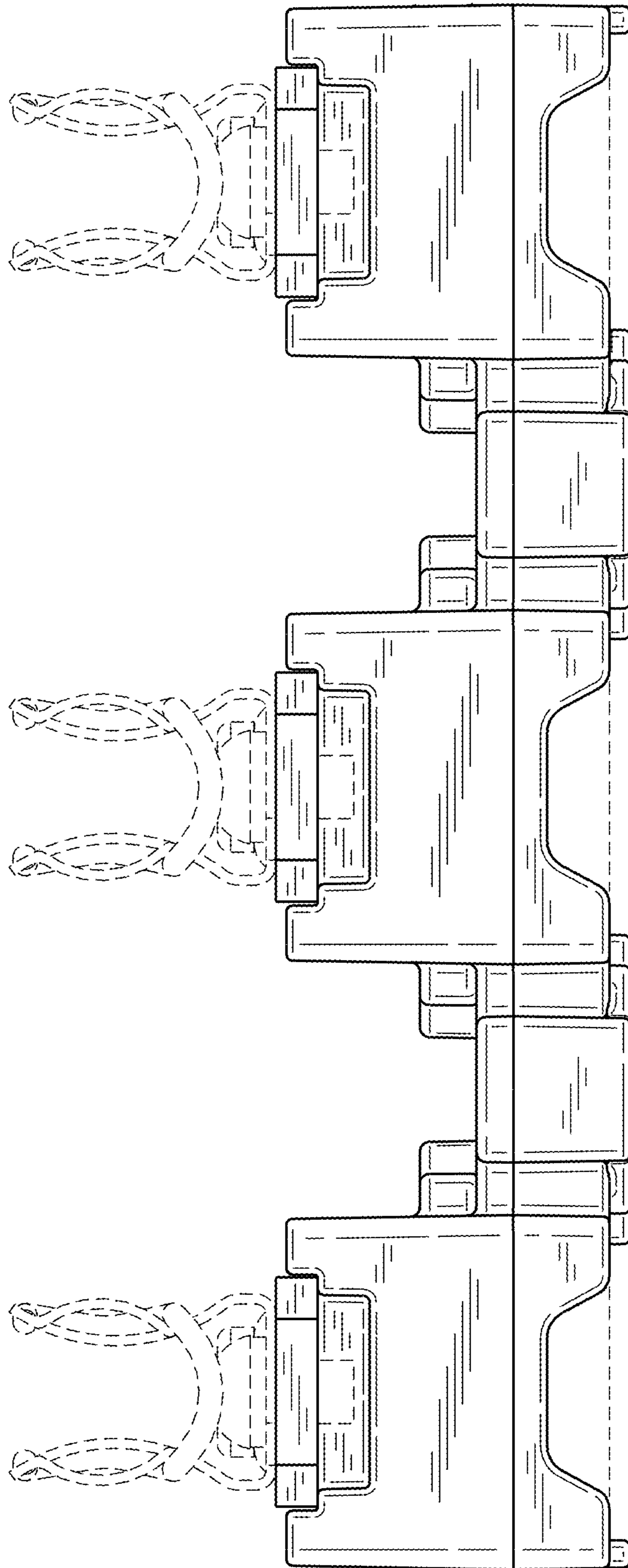


FIG. 3

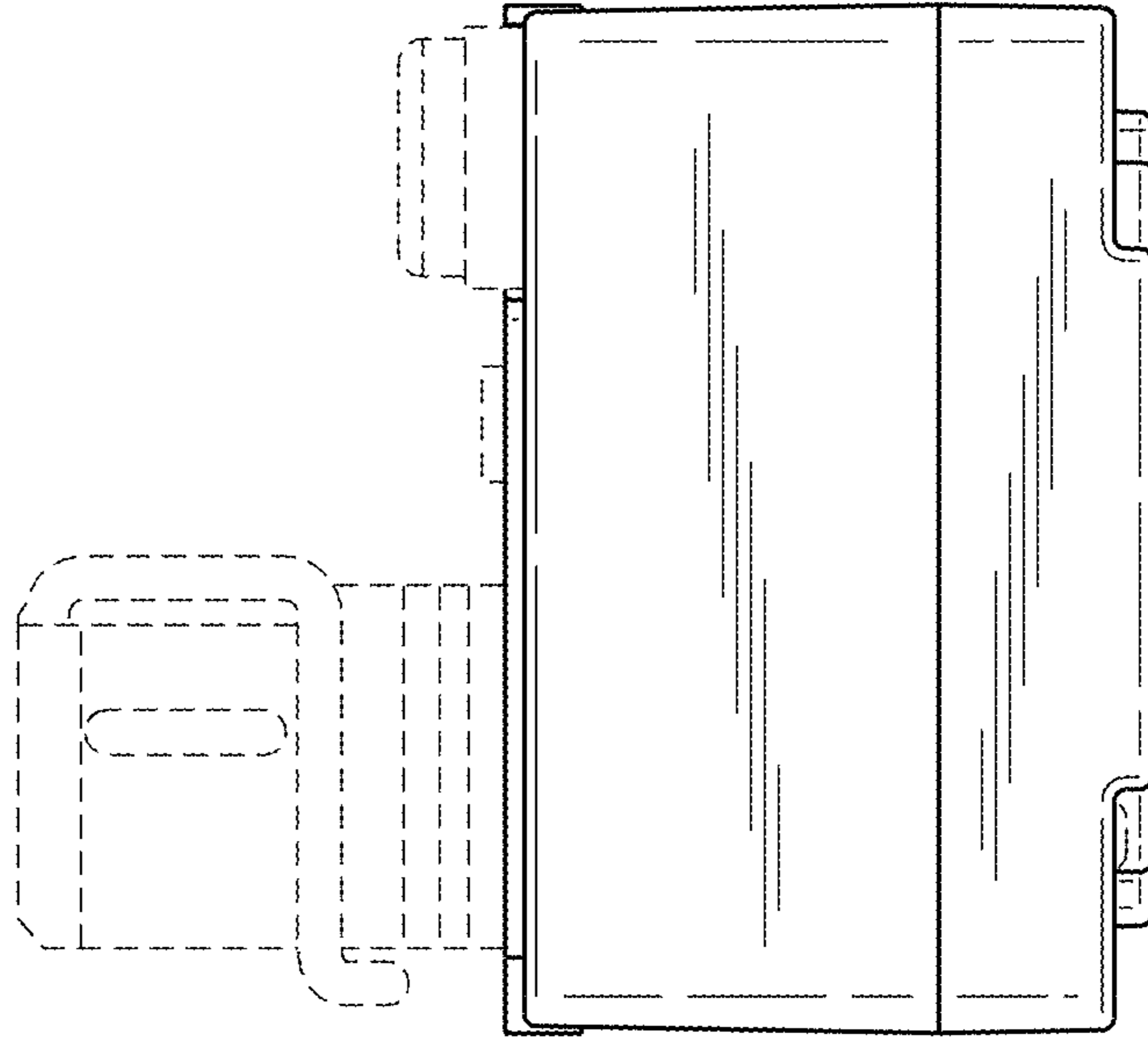


FIG. 5

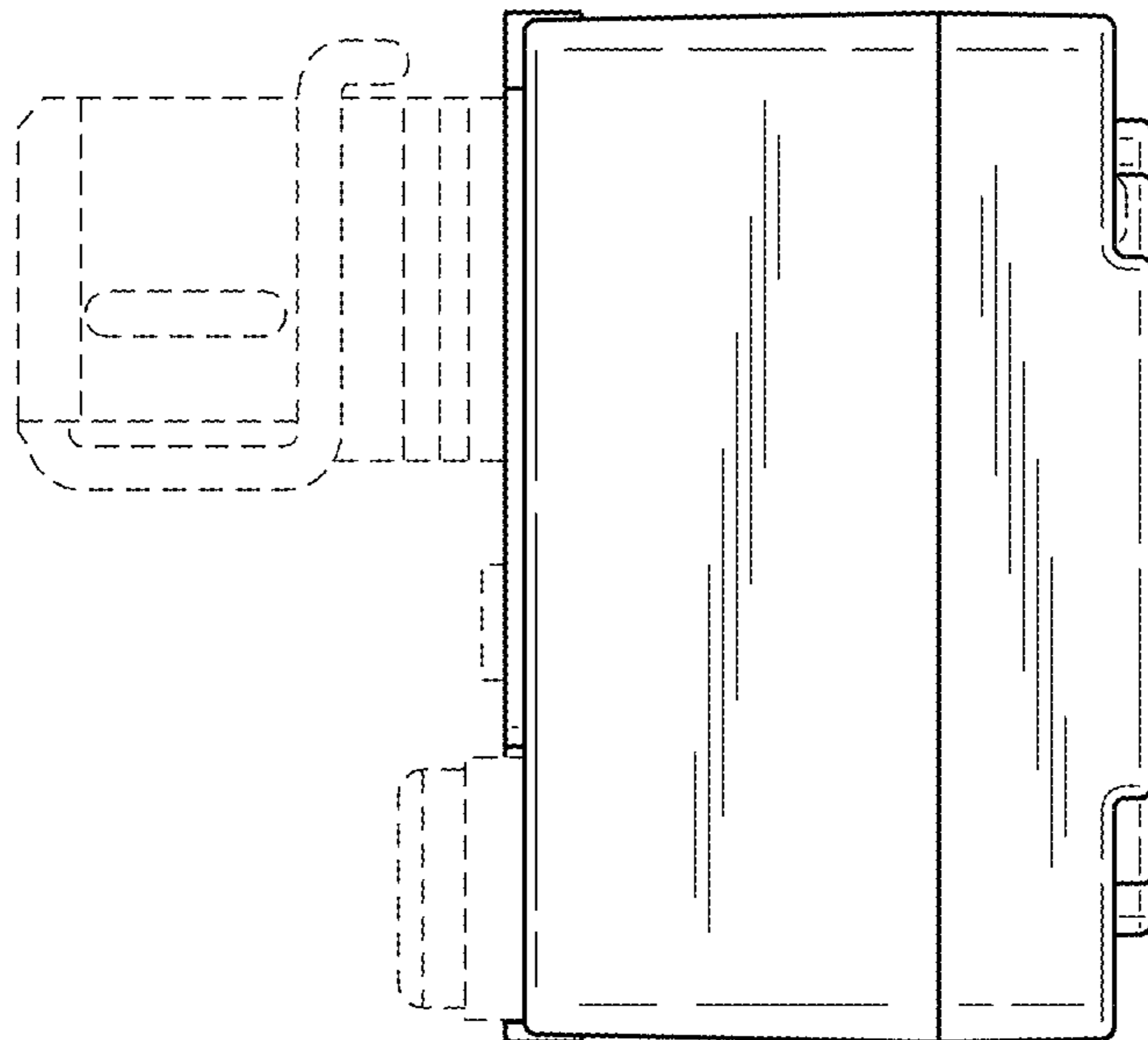


FIG. 4

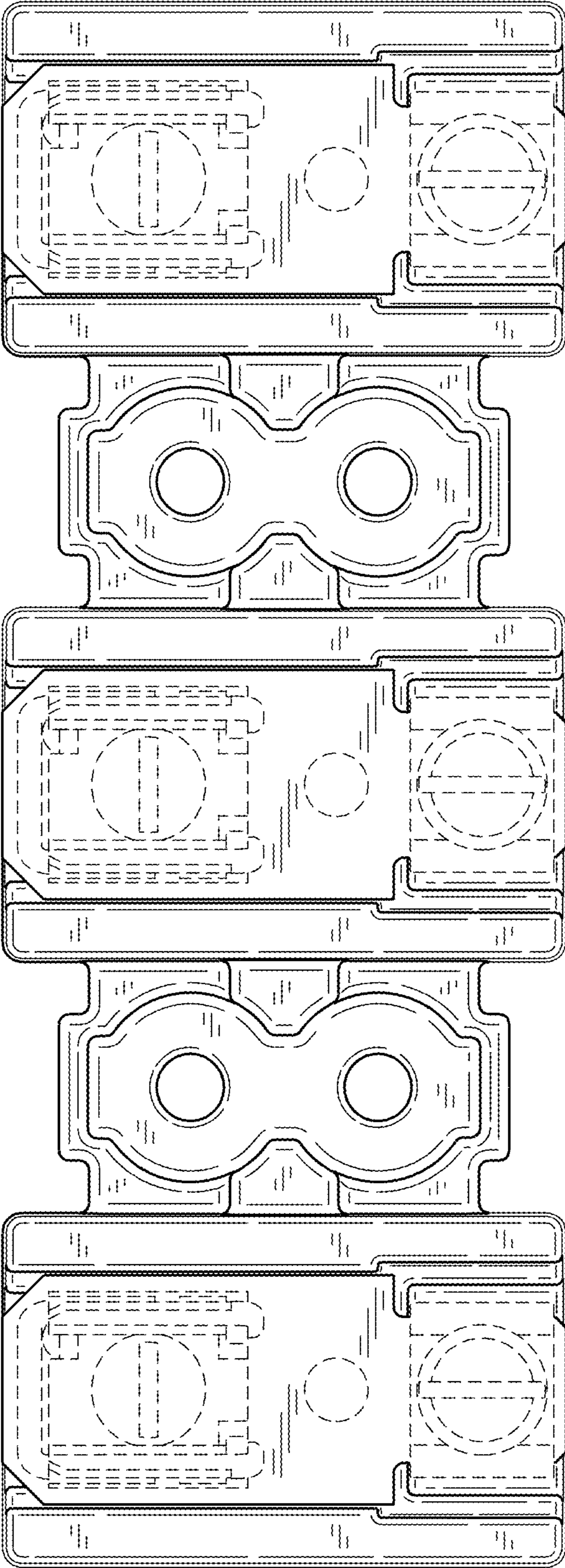


FIG. 6

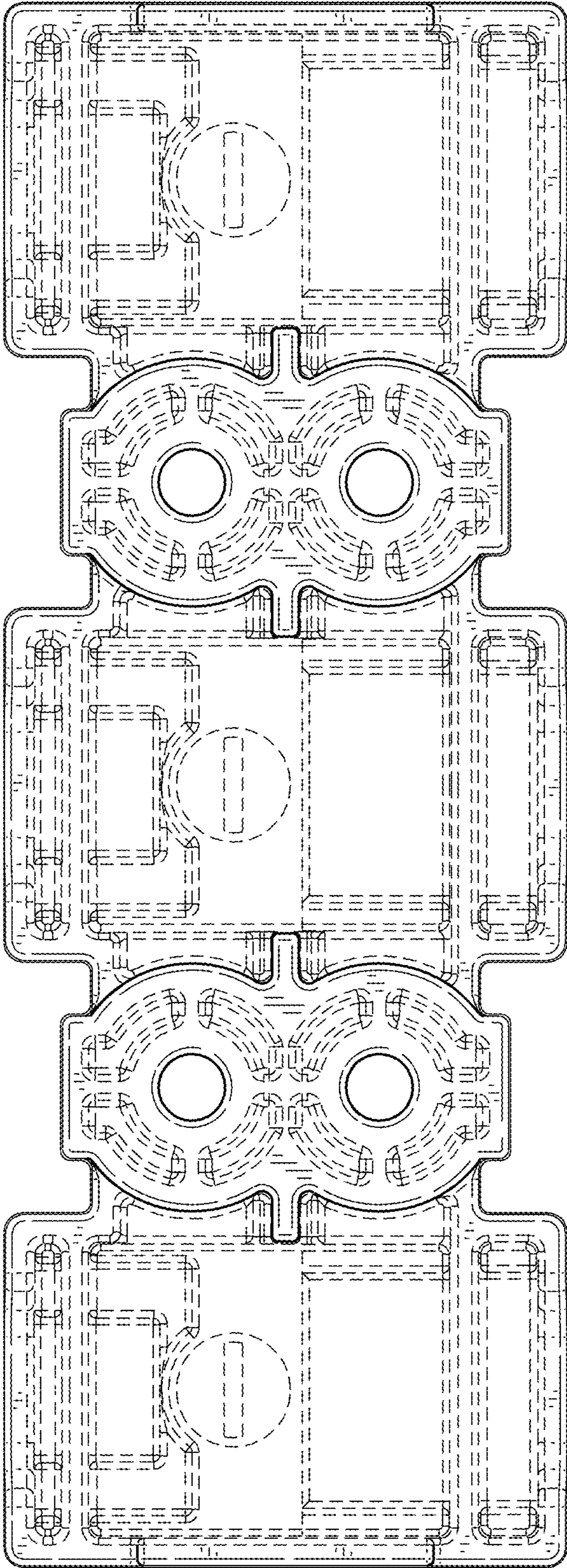


FIG. 7